



US00D719014S

(12) **United States Design Patent**
Roberts et al.

(10) **Patent No.:** **US D719,014 S**

(45) **Date of Patent:** **** Dec. 9, 2014**

(54) **CORNER CONNECTOR FOR A SUPPORTED STRUCTURE**

(71) Applicants: **Thomas A. Roberts**, Dandridge, TN (US); **Shawn M. Parella**, Morristown, TN (US)

(72) Inventors: **Thomas A. Roberts**, Dandridge, TN (US); **Shawn M. Parella**, Morristown, TN (US)

(**) Term: **14 Years**

(21) Appl. No.: **29/477,797**

(22) Filed: **Dec. 27, 2013**

(51) **LOC (10) Cl.** **08-01**

(52) **U.S. Cl.**
USPC **D8/382**

(58) **Field of Classification Search**
CPC E06B 3/9644; A47C 19/021; F16B 12/46; F16B 12/04
USPC D8/382, 349; 5/400, 201, 200.1, 282.1; 403/231
See application file for complete search history.

D422,201 S 4/2000 Jarnagin et al.
D427,894 S 7/2000 Benz et al.
D428,804 S 8/2000 Benz et al.
6,125,488 A 10/2000 Vogland et al.
D435,788 S 1/2001 Bunning
6,286,161 B1 9/2001 McCall
D484,780 S 1/2004 Barile
6,978,498 B2 12/2005 Gavela Vazquez
D599,199 S 9/2009 Roberts et al.
7,703,155 B1 4/2010 Roberts et al.
D616,291 S 5/2010 Roberts et al.
7,900,300 B1 3/2011 Roberts et al.
D653,939 S 2/2012 Roberts
8,122,537 B1 2/2012 Roberts
8,584,277 B1 11/2013 Roberts

(Continued)

FOREIGN PATENT DOCUMENTS

JP 08009776 1/1996
JP 2001061601 3/2001

Primary Examiner — Sheryl Lane

(74) Attorney, Agent, or Firm — Shaddock Law Group, PC

(57) **CLAIM**

The ornamental design for a corner connector for a supported structure, substantially as shown and described.

(56) **References Cited**

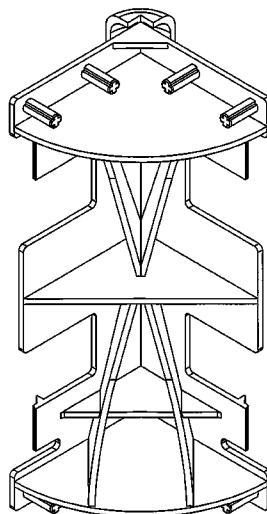
U.S. PATENT DOCUMENTS

4,128,284 A * 12/1978 King 312/348.2
4,319,370 A 3/1982 Robinson
4,391,008 A 7/1983 Yamaoka et al.
D277,156 S * 1/1985 Hardy D6/510
D278,489 S 4/1985 Ragland
D289,572 S 4/1987 Wanat
4,729,136 A 3/1988 Santo
4,734,946 A 4/1988 Saputo
5,099,529 A 3/1992 Anderson
5,469,589 A 11/1995 Steed et al.
5,564,140 A 10/1996 Shoenhair et al.
D384,537 S 10/1997 Quintile
5,709,500 A 1/1998 Mizelle et al.
5,758,372 A 6/1998 Lopez
5,884,385 A 3/1999 Quintile

DESCRIPTION

FIG. 1 is a top isometric perspective view of a corner connector for a structure, showing my new design;
FIG. 2 is a top perspective view thereof;
FIG. 3 is a left side view thereof;
FIG. 4 is a right side view thereof;
FIG. 5 is a left side rotational view thereof;
FIG. 6 is a right side rotational view thereof;
FIG. 7 is a front view thereof;
FIG. 8 is a rear view thereof;
FIG. 9 is a top view thereof;
FIG. 10 is a bottom view thereof; and,
FIG. 11 is a bottom isometric view thereof.

1 Claim, 8 Drawing Sheets



(56)

References Cited

U.S. PATENT DOCUMENTS

2003/0028963 A1 2/2003 McCraw et al.
2005/0028274 A1 2/2005 Hooper
2005/0039258 A1 2/2005 Gavela Vazquez

2005/0039259 A1 2/2005 Gladney
2005/0235417 A1 10/2005 Koughan et al.
2007/0220680 A1 9/2007 Miller et al.
2008/0235868 A1 10/2008 Snitzer et al.

* cited by examiner

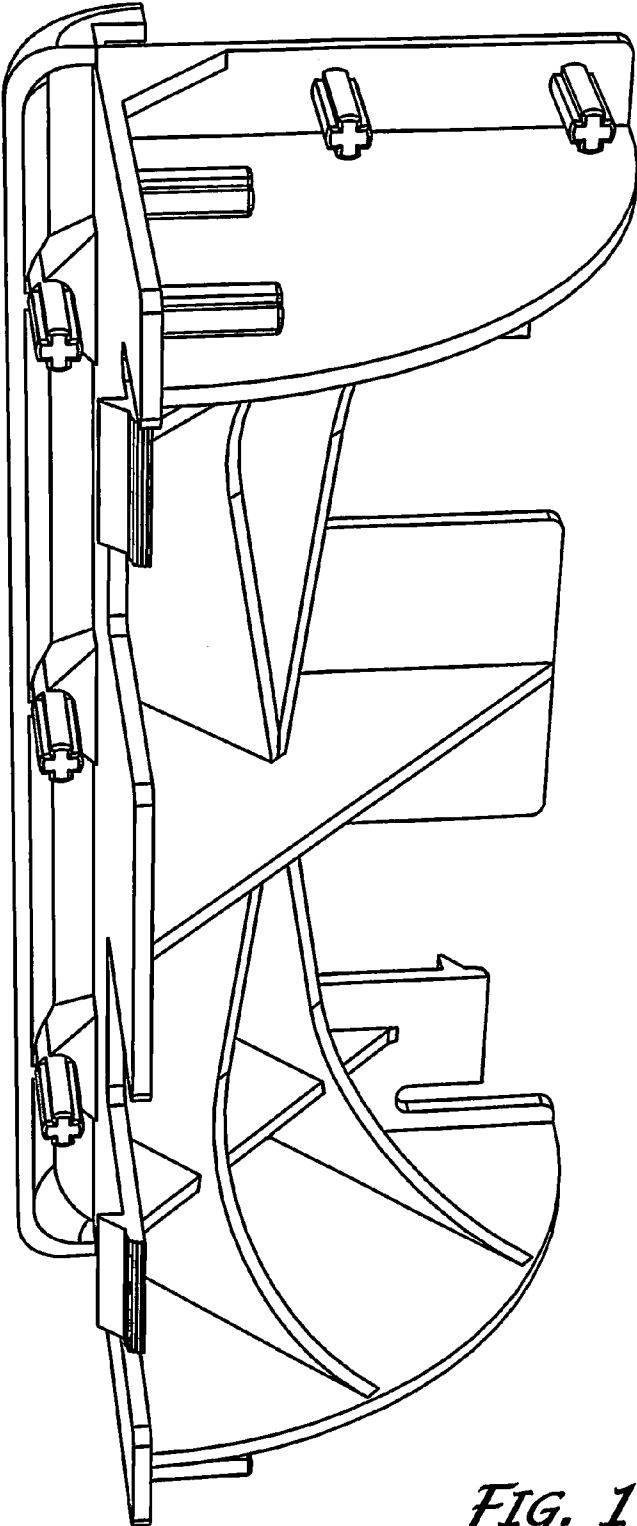


FIG. 1

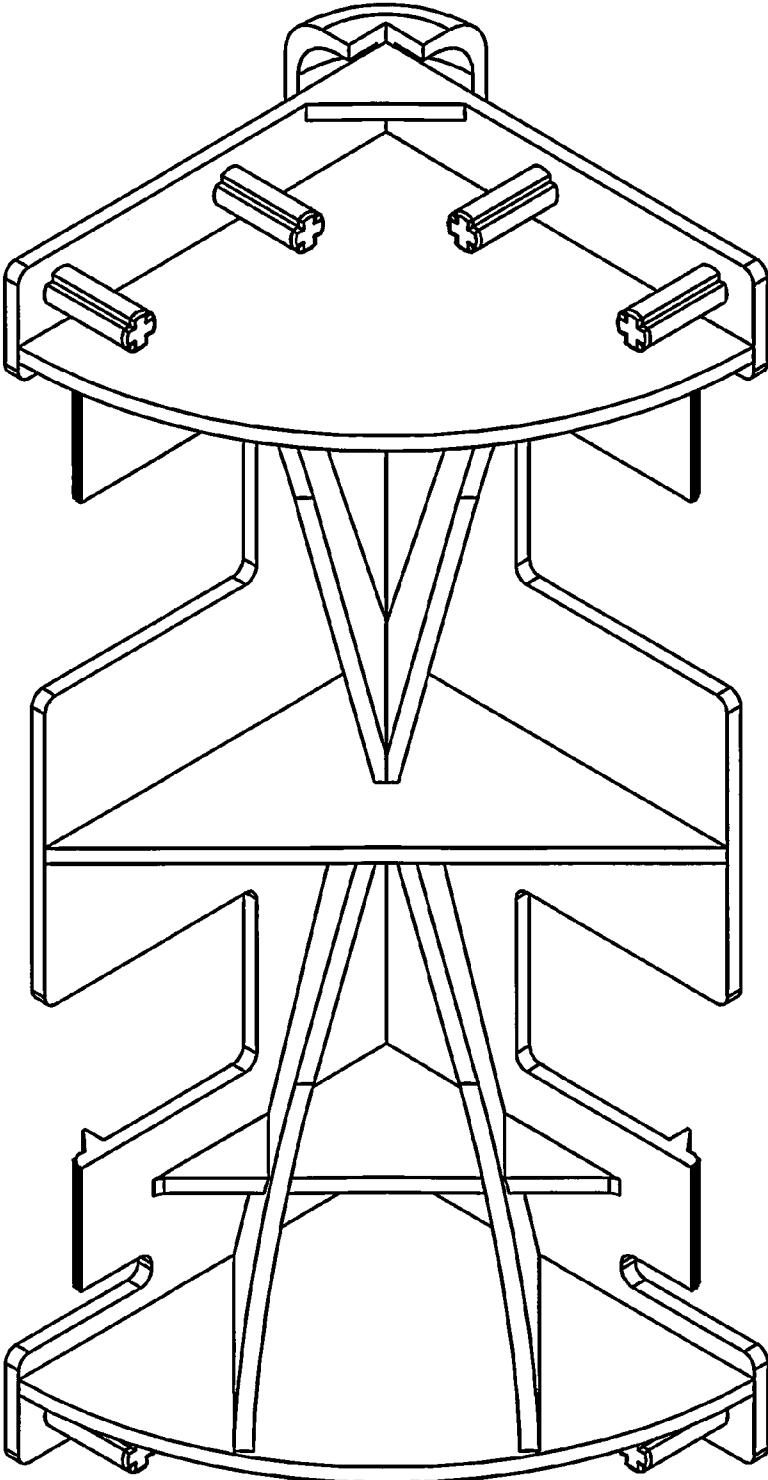


FIG. 2

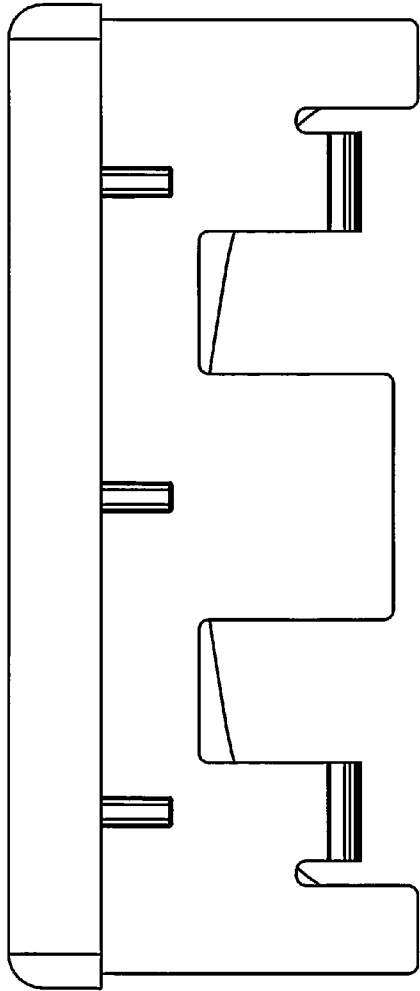


FIG. 3

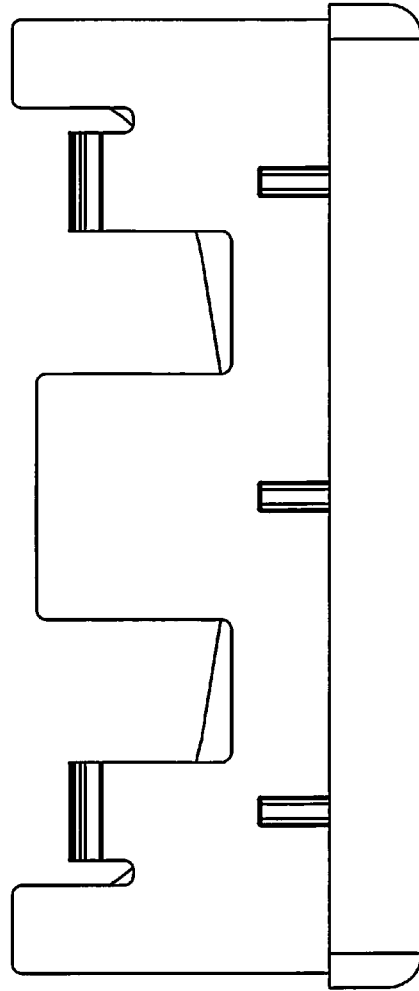


FIG. 4

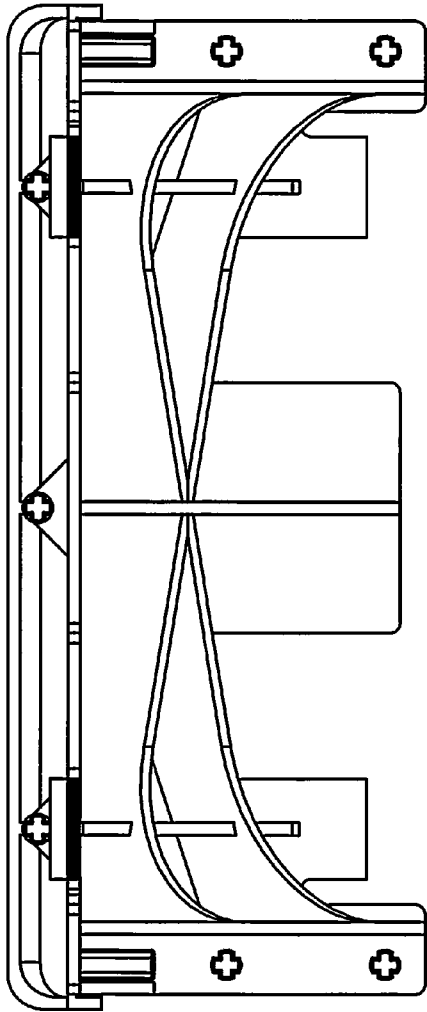


FIG. 5

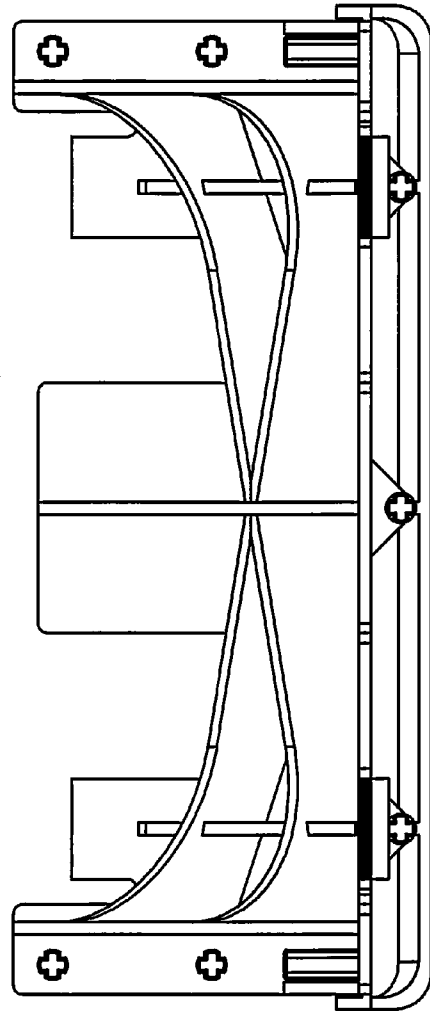


FIG. 6

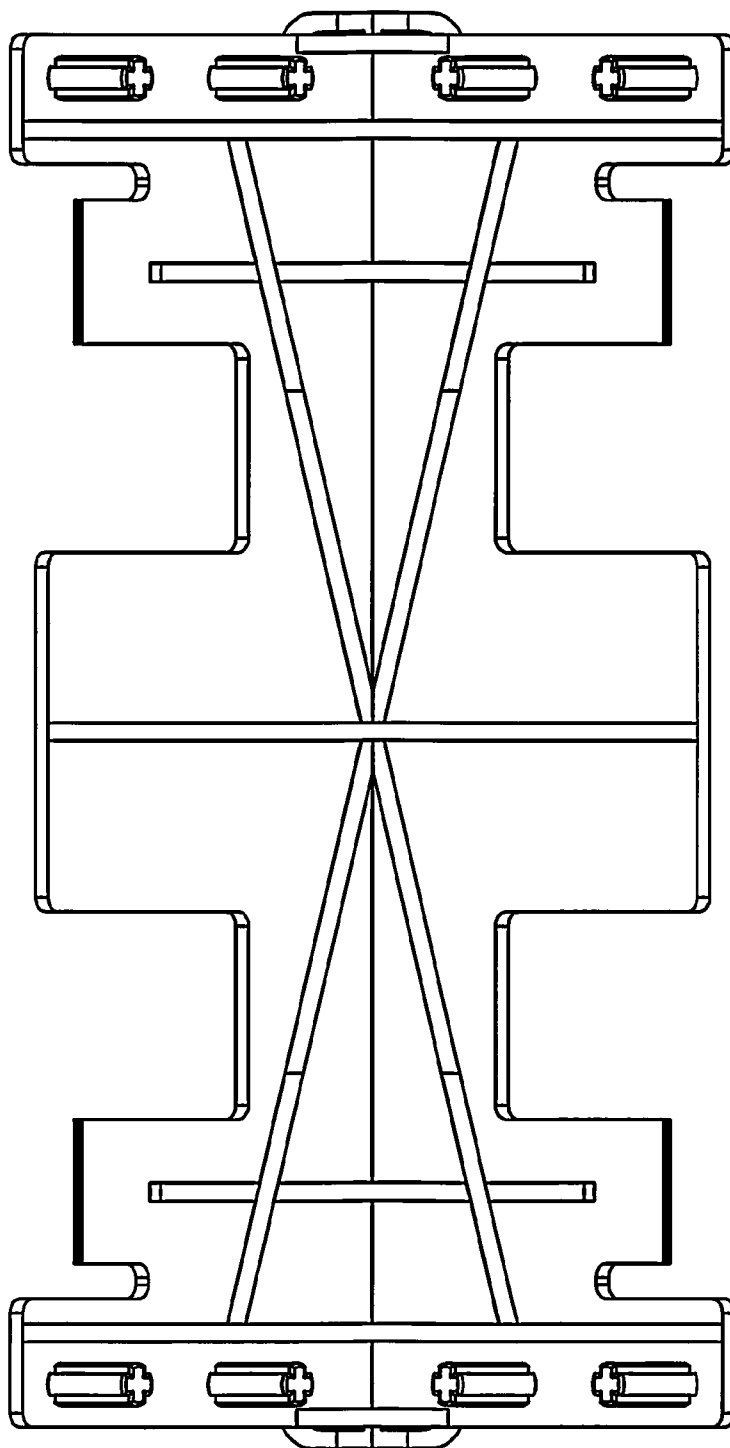


FIG. 7

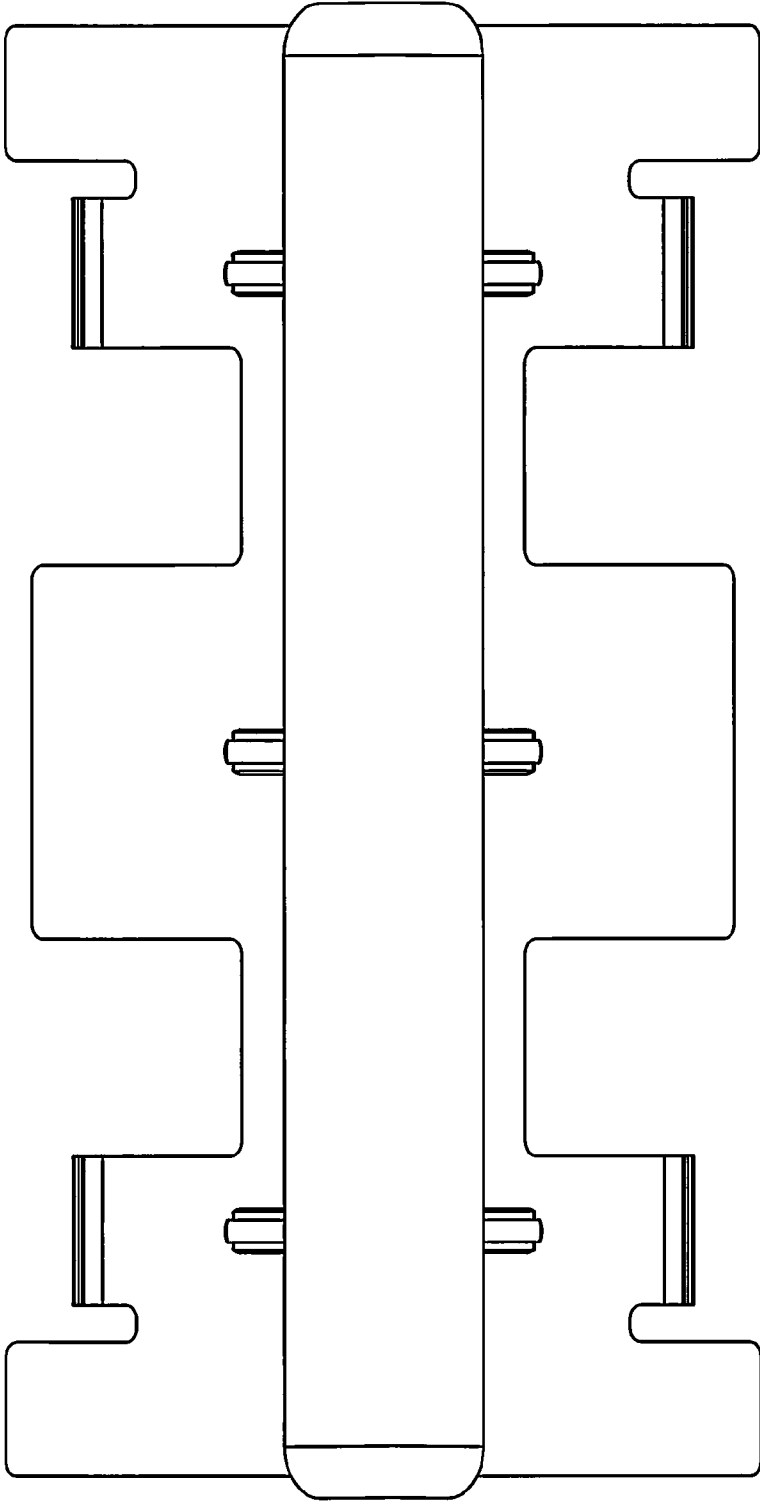


FIG. 8

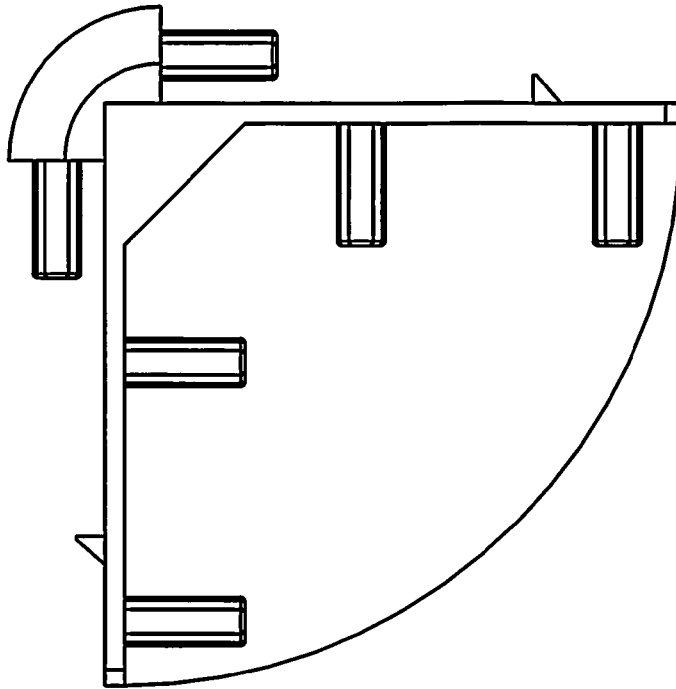
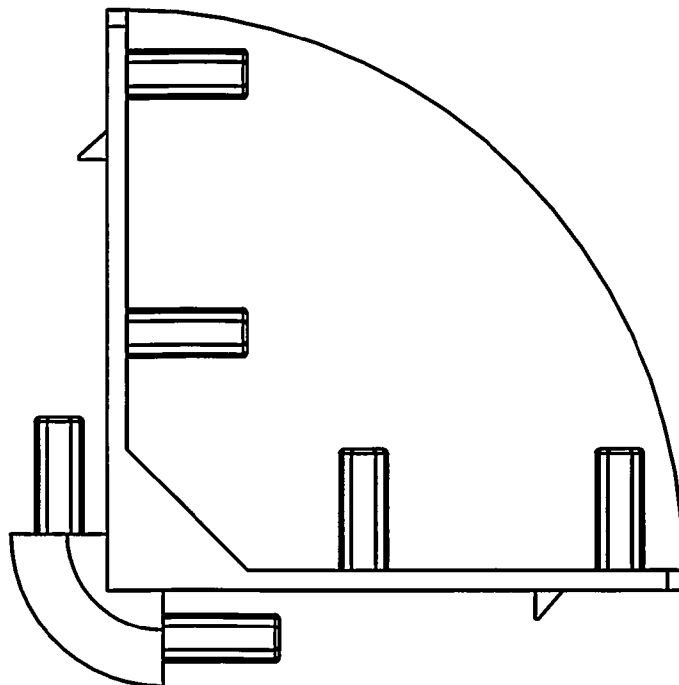


FIG. 9

FIG. 10



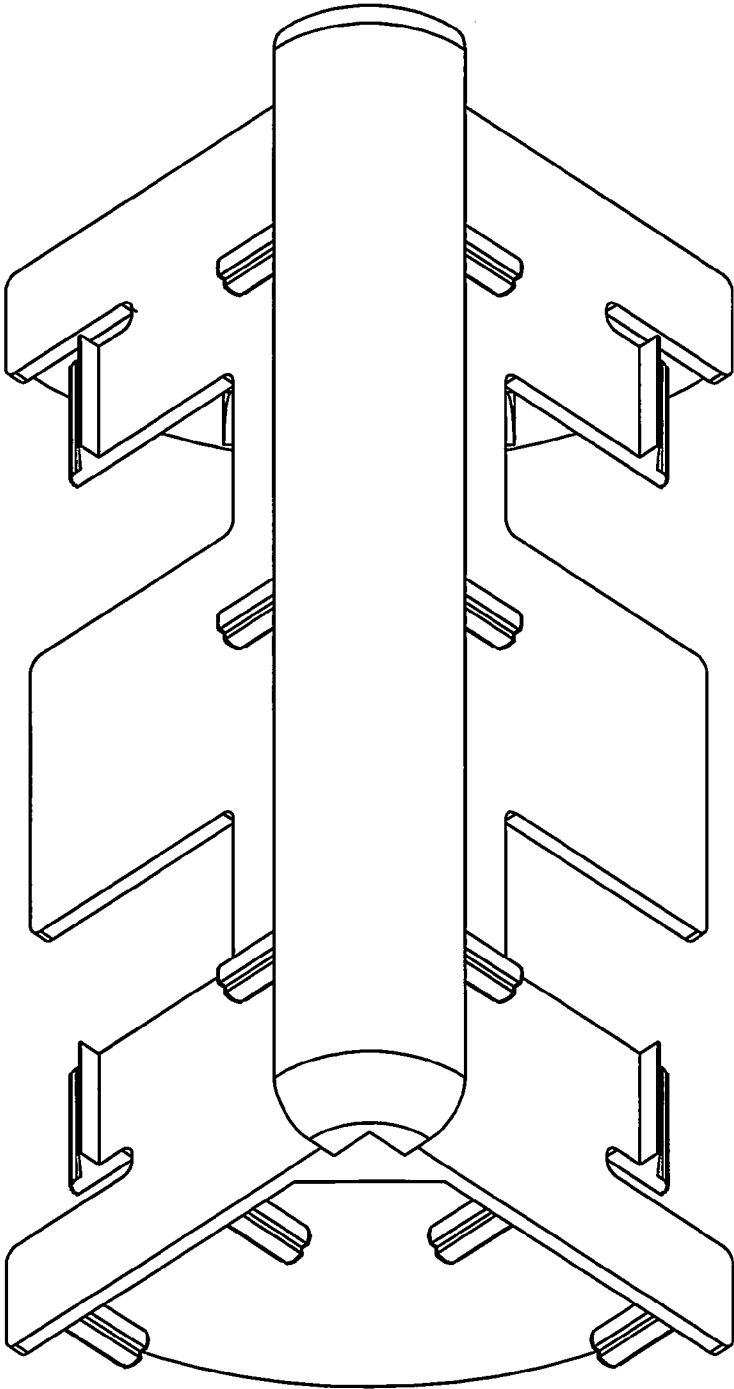


FIG. 11