

(19) World Intellectual Property Organization
International Bureau



(43) International Publication Date
21 June 2007 (21.06.2007)

PCT

(10) International Publication Number
WO 2007/069232 A3

(51) International Patent Classification:
A61B 1/32 (2006.01)

(21) International Application Number:
PCT/IL2006/001250

(22) International Filing Date: 30 October 2006 (30.10.2006)

(25) Filing Language: English

(26) Publication Language: English

(30) Priority Data:
60/597,653 15 December 2005 (15.12.2005) US

(71) Applicant (for all designated States except US): **MI-CRODEL IDEA CENTER LTD.** [IL/IL]; 1 Bezalel St., 52521 Ramat Gan (IL).

(72) Inventors; and

(75) Inventors/Applicants (for US only): **MICHAELI, David** [IL/IL]; Mar Cheshvan 7/6, 78100 Ashqelon (IL). **MICHAELI, Michael** [IL/IL]; 28 Hamegila, 75708 Rishon Lezion (IL).

(74) Agent: **FRIEDMAN, Mark**; 7 Jabotinsky St., 52520 Ramat Gan (IL).

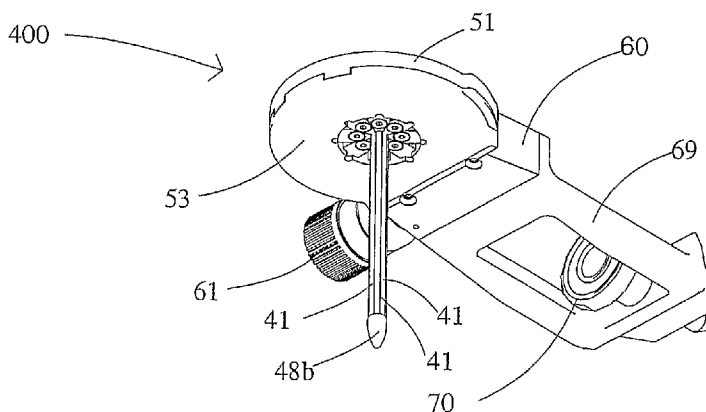
(81) Designated States (unless otherwise indicated, for every kind of national protection available): AE, AG, AL, AM, AT, AU, AZ, BA, BB, BG, BR, BW, BY, BZ, CA, CH, CN, CO, CR, CU, CZ, DE, DK, DM, DZ, EC, EE, EG, ES, FI, GB, GD, GE, GH, GM, GT, HN, HR, HU, ID, IL, IN, IS, JP, KE, KG, KM, KN, KP, KR, KZ, LA, LC, LK, LR, LS, LT, LU, LV, LY, MA, MD, MG, MK, MN, MW, MX, MY, MZ, NA, NG, NI, NO, NZ, OM, PG, PH, PL, PT, RO, RS, RU, SC, SD, SE, SG, SK, SL, SM, SV, SY, TJ, TM, TN, TR, TT, TZ, UA, UG, US, UZ, VC, VN, ZA, ZM, ZW.

(84) Designated States (unless otherwise indicated, for every kind of regional protection available): ARIPO (BW, GH, GM, KE, LS, MW, MZ, NA, SD, SL, SZ, TZ, UG, ZM, ZW), Eurasian (AM, AZ, BY, KG, KZ, MD, RU, TJ, TM), European (AT, BE, BG, CH, CY, CZ, DE, DK, EE, ES, FI, FR, GB, GR, HU, IE, IS, IT, LT, LU, LV, MC, NL, PL, PT, RO, SE, SI, SK, TR), OAPI (BF, BJ, CF, CG, CI, CM, GA, GN, GQ, GW, ML, MR, NE, SN, TD, TG).

Published:
— with international search report

(88) Date of publication of the international search report:
9 April 2009

(54) Title: IMPROVED RADIAL EXPANSIBLE RETRACTOR FOR MINIMALLY INVASIVE SURGERY



a

(57) Abstract: An improved radial expansible retractor and a method of minimally invasive surgery, by opening a channel in the brain or other soft tissue of a patient, by inserting the radial expansible retractor into the body of the patient, and by widening the channel at a continuous and gentle rate. The use of the improved radial expansible retractor renders surgical procedures, including neurosurgical procedures, shorter, less traumatic, and more reliable, reducing risk and the need for subsequent surgery and reducing recovery time. Procedures are carried out with real time monitoring of the retracted brain perfusion pressure. A plurality of improved radial expansible retractors may be used in a single operation. The improved radial expansible retractor allows access to areas of the brain previously almost impossible to access.

WO 2007/069232 A3

INTERNATIONAL SEARCH REPORT

International application No.

PCT/IL06/01250

A. CLASSIFICATION OF SUBJECT MATTER
 IPC: **A61B 1/32(2006.01)**

USPC: **600/201**
 According to International Patent Classification (IPC) or to both national classification and IPC

B. FIELDS SEARCHED

Minimum documentation searched (classification system followed by classification symbols)
 U.S. : 600/201

Documentation searched other than minimum documentation to the extent that such documents are included in the fields searched

Electronic data base consulted during the international search (name of data base and, where practicable, search terms used)

C. DOCUMENTS CONSIDERED TO BE RELEVANT

Category *	Citation of document, with indication, where appropriate, of the relevant passages	Relevant to claim No.
A	US 2004/0097792 A1 (MOLL et al) 20 May 2004 (20.05.2004), see whole document.	1-36
A	US 2005/0080319 A1 (DINKLER II et al) 14 April 2005 (14.04.2005), see whole document.	1-36

Further documents are listed in the continuation of Box C. See patent family annex.

* Special categories of cited documents:	
"A" document defining the general state of the art which is not considered to be of particular relevance	"T" later document published after the international filing date or priority date and not in conflict with the application but cited to understand the principle or theory underlying the invention
"E" earlier application or patent published on or after the international filing date	"X" document of particular relevance; the claimed invention cannot be considered novel or cannot be considered to involve an inventive step when the document is taken alone
"L" document which may throw doubts on priority claim(s) or which is cited to establish the publication date of another citation or other special reason (as specified)	"Y" document of particular relevance; the claimed invention cannot be considered to involve an inventive step when the document is combined with one or more other such documents, such combination being obvious to a person skilled in the art
"O" document referring to an oral disclosure, use, exhibition or other means	"&" document member of the same patent family
"P" document published prior to the international filing date but later than the priority date claimed	

Date of the actual completion of the international search 07 June 2008 (07.06.2008)	Date of mailing of the international search report 08 JUL 2008
Name and mailing address of the ISA/US Mail Stop PCT, Attn: ISA/US Commissioner for Patents P.O. Box 1450 Alexandria, Virginia 22313-1450 Facsimile No. (571) 273-3201	Authorized officer Eduardo C. Robert <i>Eduardo Robert</i> Telephone No. (571) 272-4719 <i>Jes</i>