



US00D698147S

(12) **United States Design Patent**  
**Deneve**

(10) **Patent No.:** **US D698,147 S**

(45) **Date of Patent:** **\*\* Jan. 28, 2014**

(54) **HANDBAG**

(71) Applicant: **Yves Saint Laurent**, Paris (FR)

(72) Inventor: **Paul Deneve**, Paris (FR)

(73) Assignee: **Yves Saint Laurent**, Paris (FR)

(\*\*) Term: **14 Years**

(21) Appl. No.: **29/444,950**

(22) Filed: **Feb. 6, 2013**

(51) **LOC (10) Cl.** ..... **03-01**

(52) **U.S. Cl.**  
USPC ..... **D3/245**

(58) **Field of Classification Search**  
USPC ..... D3/232–233, 240–246; 150/100,  
150/103–110, 113–114, 117–119  
See application file for complete search history.

(56) **References Cited**

U.S. PATENT DOCUMENTS

D604,950	S	*	12/2009	Greiner	.....	D3/246
D608,087	S	*	1/2010	Gonzalez	.....	D3/232
D657,141	S	*	4/2012	Dolce et al.	.....	D3/245
D666,810	S	*	9/2012	Hermann	.....	D3/245

\* cited by examiner

*Primary Examiner* — Holly Baynham

(74) *Attorney, Agent, or Firm* — Donald J. Ranft; Collen IP

(57) **CLAIM**

The ornamental design for a handbag, as shown.

**DESCRIPTION**

FIG. 1 is a front top left perspective view of a handbag showing my new design;  
FIG. 2 is a front view thereof;  
FIG. 3 is a rear view thereof;  
FIG. 4 is a right side view thereof;  
FIG. 5 is a left side view thereof;  
FIG. 6 is a top view thereof;  
FIG. 7 a bottom view thereof;  
FIG. 8 is an additional front top left perspective view with the key ring withdrawn from the pouch thereof; and,  
FIG. 9 is a bottom front right perspective view thereof.

**1 Claim, 7 Drawing Sheets**





FIG. 1



FIG. 2



FIG. 3

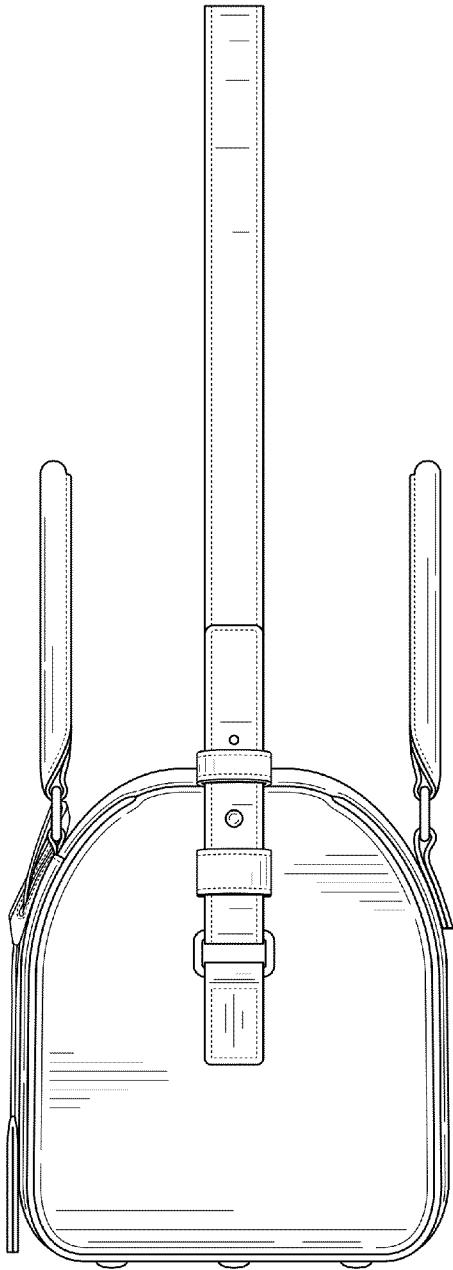


FIG. 4

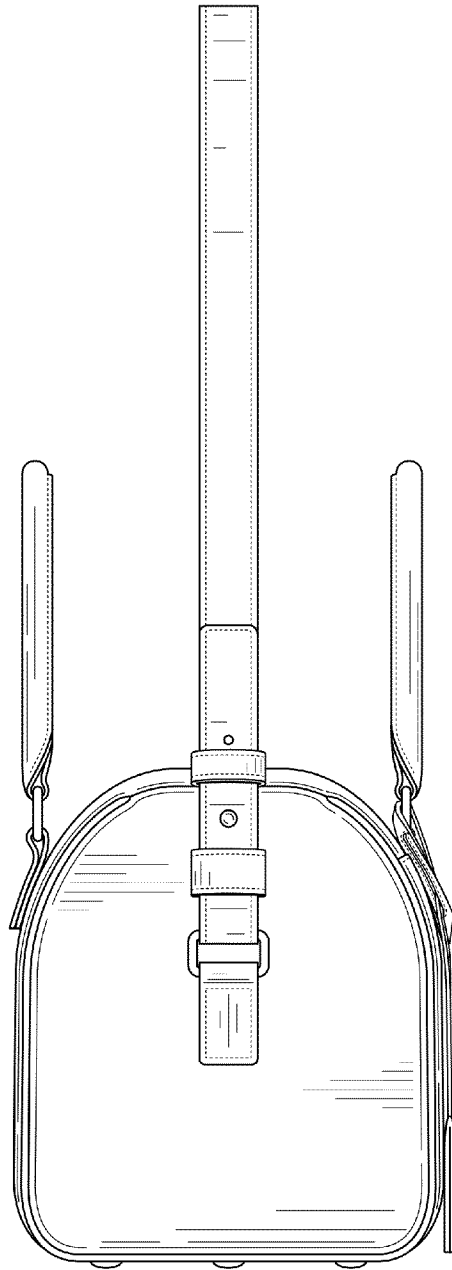


FIG. 5

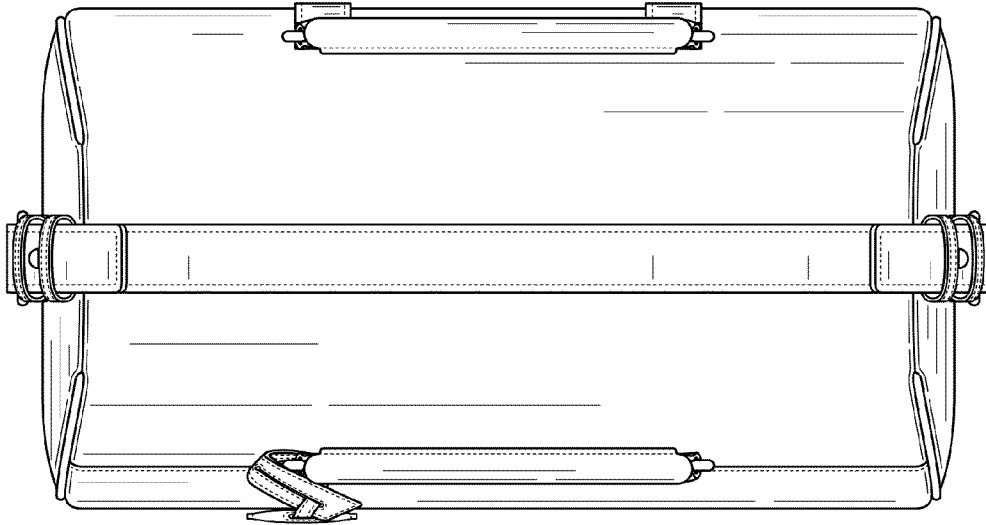


FIG. 6

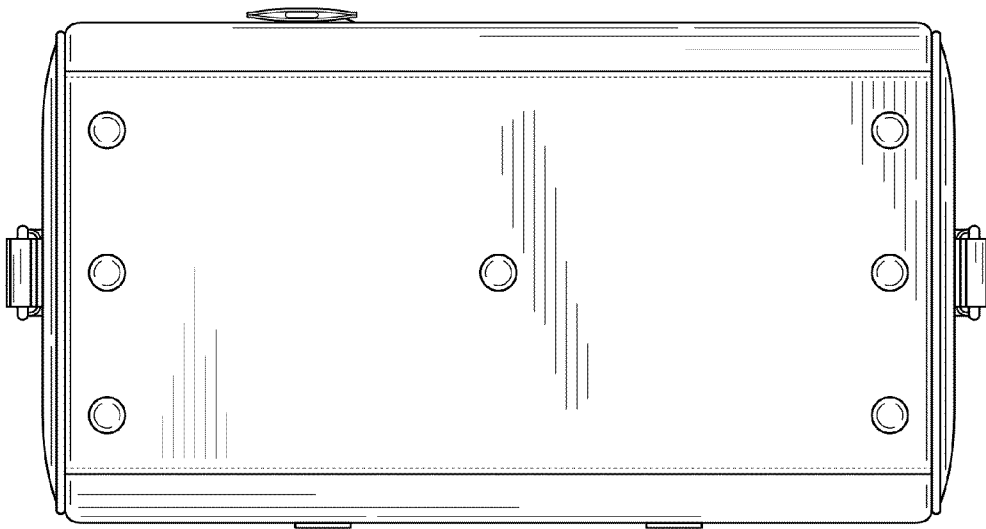


FIG. 7



FIG. 8



FIG. 9