



US00D498506S

(12) **United States Design Patent**
Yu

(10) **Patent No.:** **US D498,506 S**

(45) **Date of Patent:** **** Nov. 16, 2004**

(54) **STEPPER**

(76) **Inventor:** **Hsu Hsiu Yu**, P.O. Box 24-108, Taipei (TW)

(**) **Term:** **14 Years**

(21) **Appl. No.:** **29/190,403**

(22) **Filed:** **Sep. 22, 2003**

(51) **LOC (7) Cl.** **21-02**

(52) **U.S. Cl.** **D21/670; D21/668**

(58) **Field of Search** **D21/662, 668, D21/669, 670; 482/51, 52, 71, 79, 80**

(56) **References Cited**

U.S. PATENT DOCUMENTS

D339,837 S	*	9/1993	Hall et al.	D21/670
5,263,910 A	*	11/1993	Yang	482/52
5,298,002 A	*	3/1994	Lin	482/53
5,348,520 A	*	9/1994	Chang	482/52
5,518,470 A	*	5/1996	Piaget et al.	482/51
D392,701 S	*	3/1998	Piaget	D21/670
D403,382 S	*	12/1998	Piaget	D21/670

6,117,052 A	*	9/2000	Frost et al.	482/52
6,132,339 A	*	10/2000	Wang et al.	482/53
D456,052 S	*	4/2002	Steves	D21/670
D465,001 S	*	10/2002	Chiang-Chow	D21/670
D466,567 S	*	12/2002	Chen et al.	D21/670

* cited by examiner

Primary Examiner—Philip S. Hyder

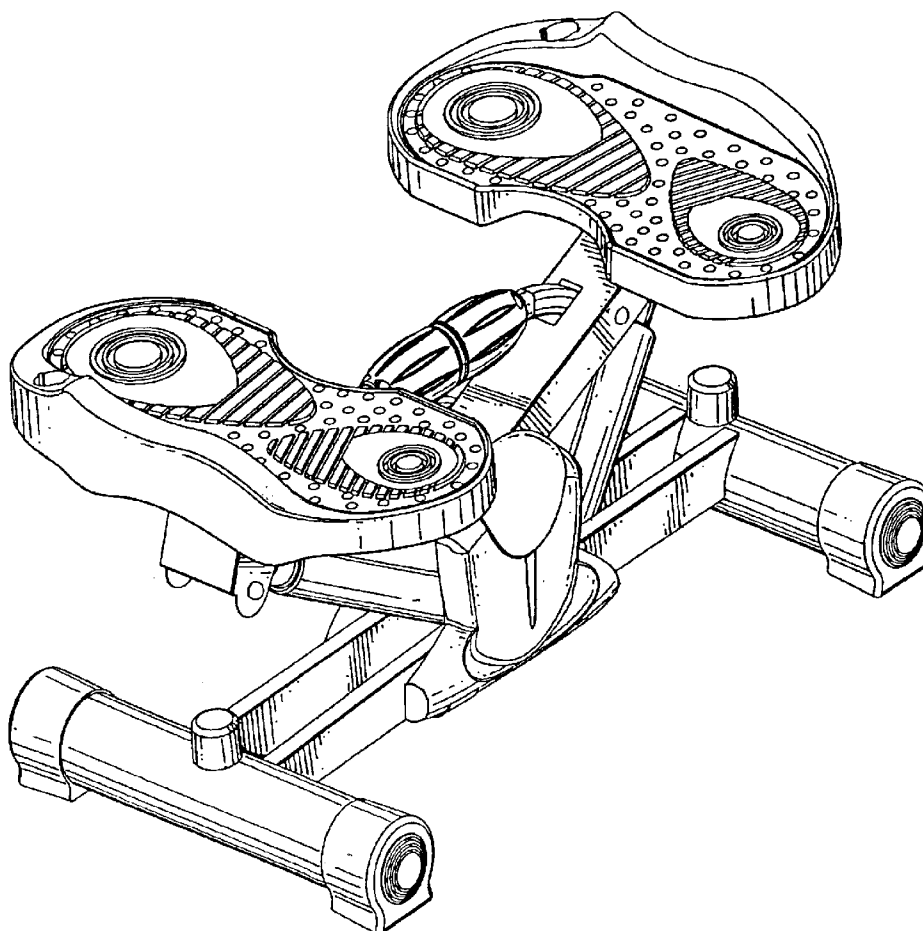
(57) **CLAIM**

The ornamental design for a stepper, as shown and described.

DESCRIPTION

FIG. 1 is a perspective view of a stepper showing my new design;
 FIG. 2 is a front elevational view thereof;
 FIG. 3 is a rear elevational view thereof;
 FIG. 4 is a left side elevational view thereof;
 FIG. 5 is a right side elevational view thereof;
 FIG. 6 is a top plan view thereof; and,
 FIG. 7 is a bottom plan view thereof.

1 Claim, 7 Drawing Sheets



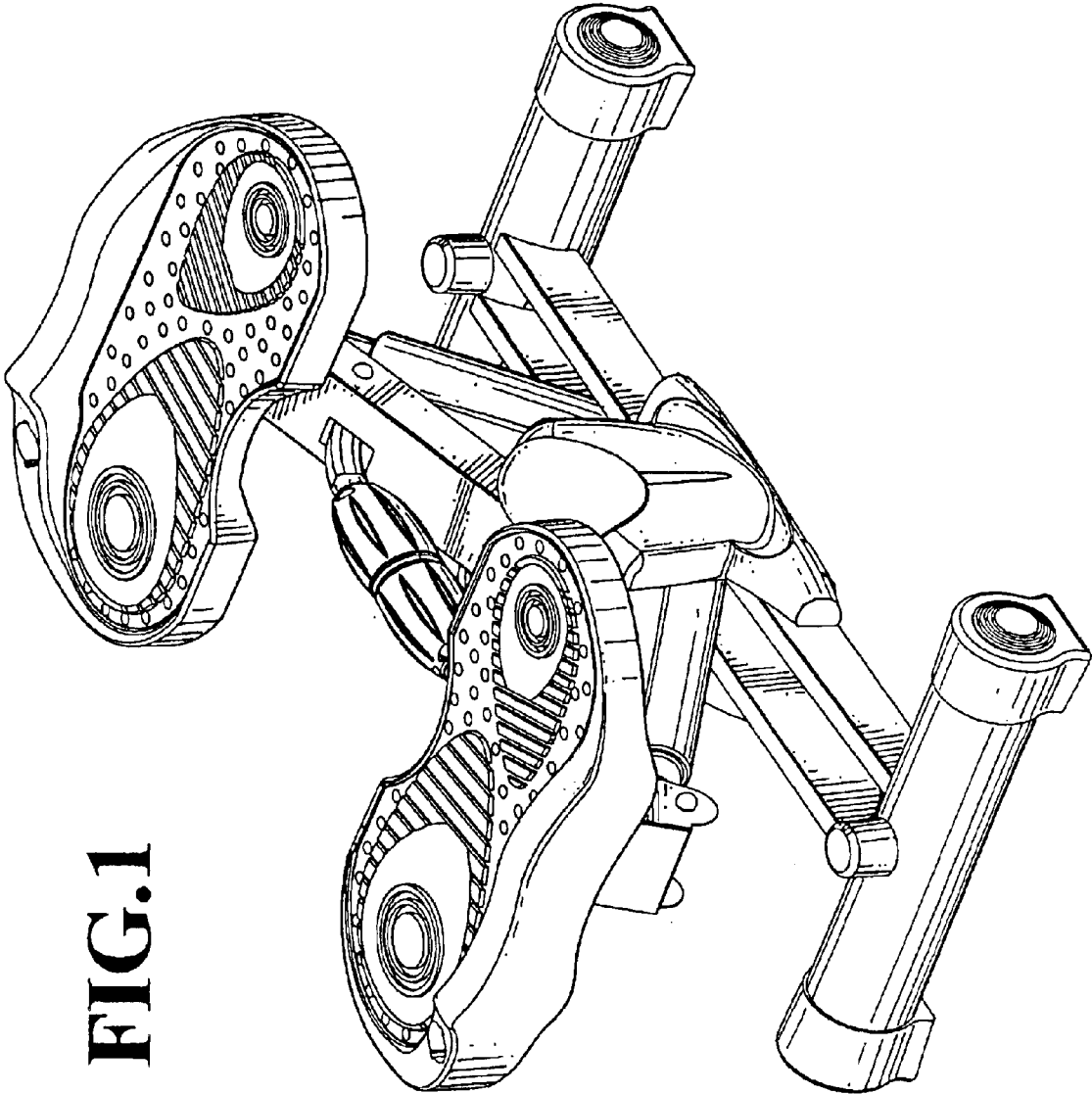


FIG. 1

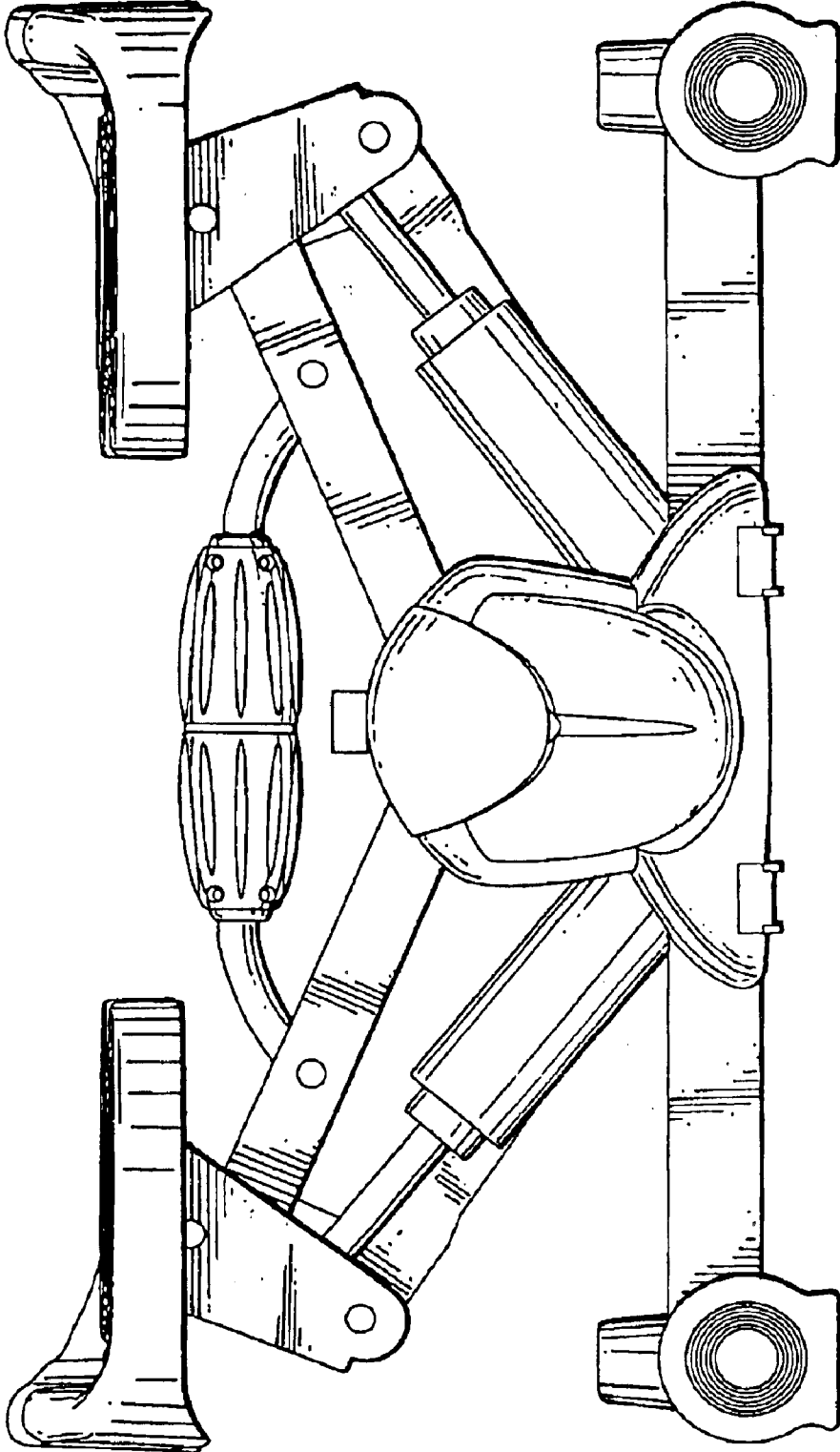


FIG.2

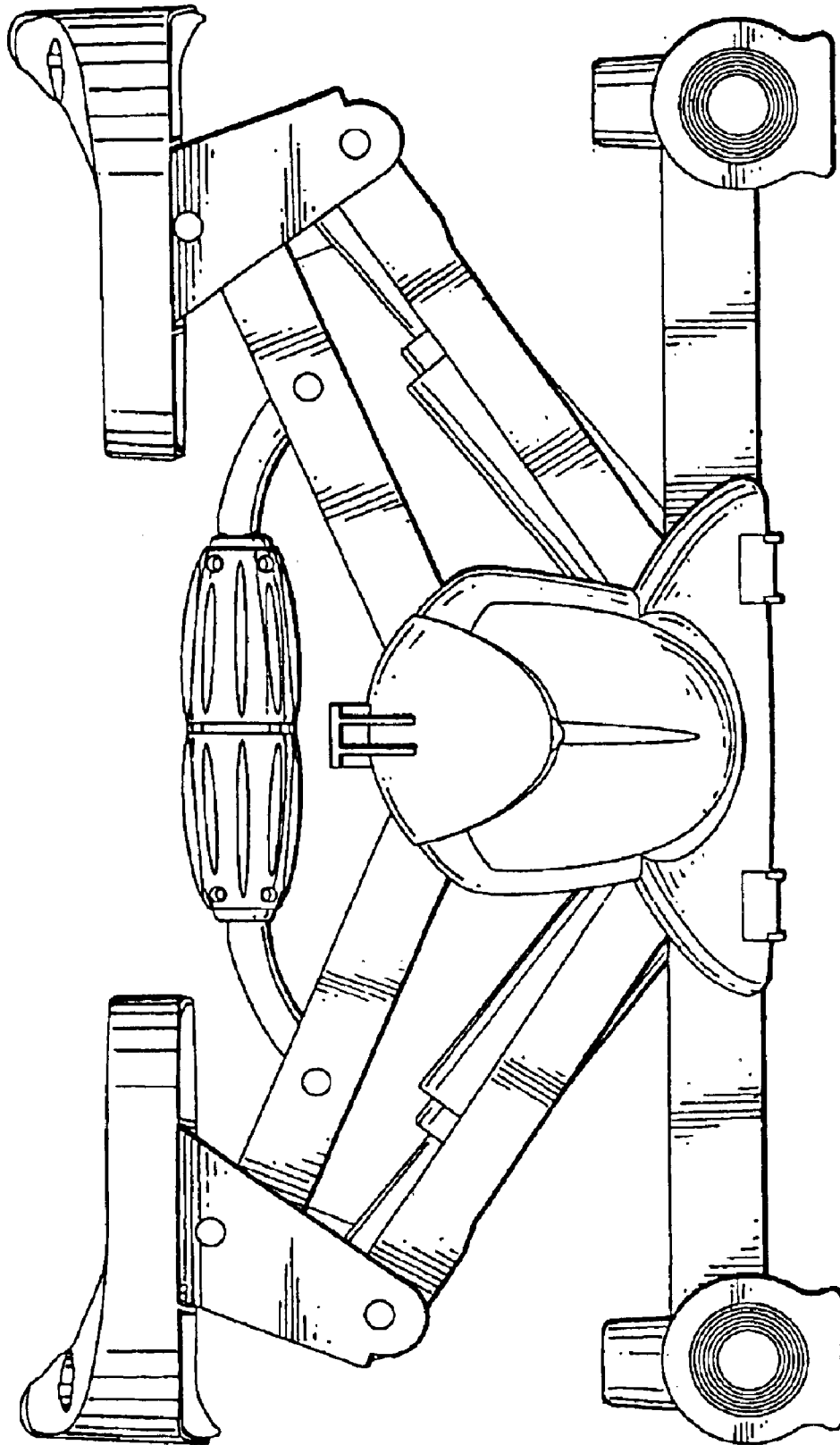


FIG.3

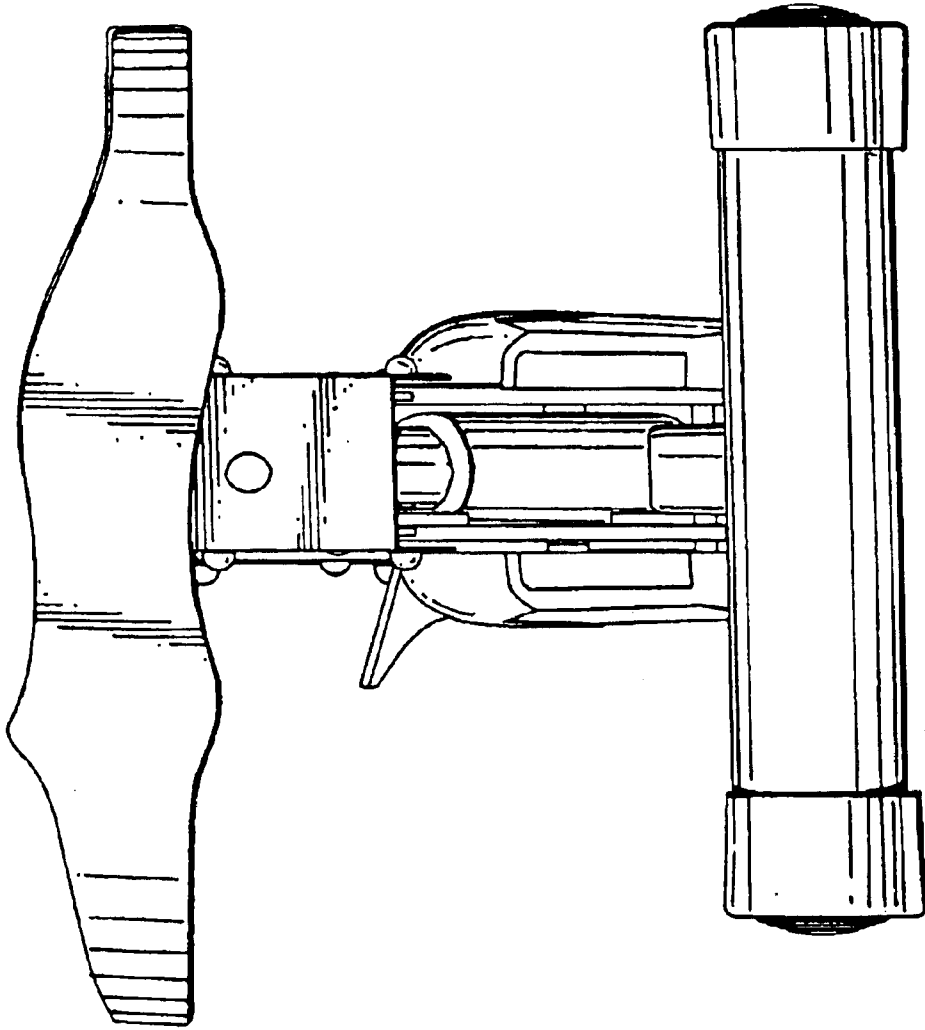


FIG.4

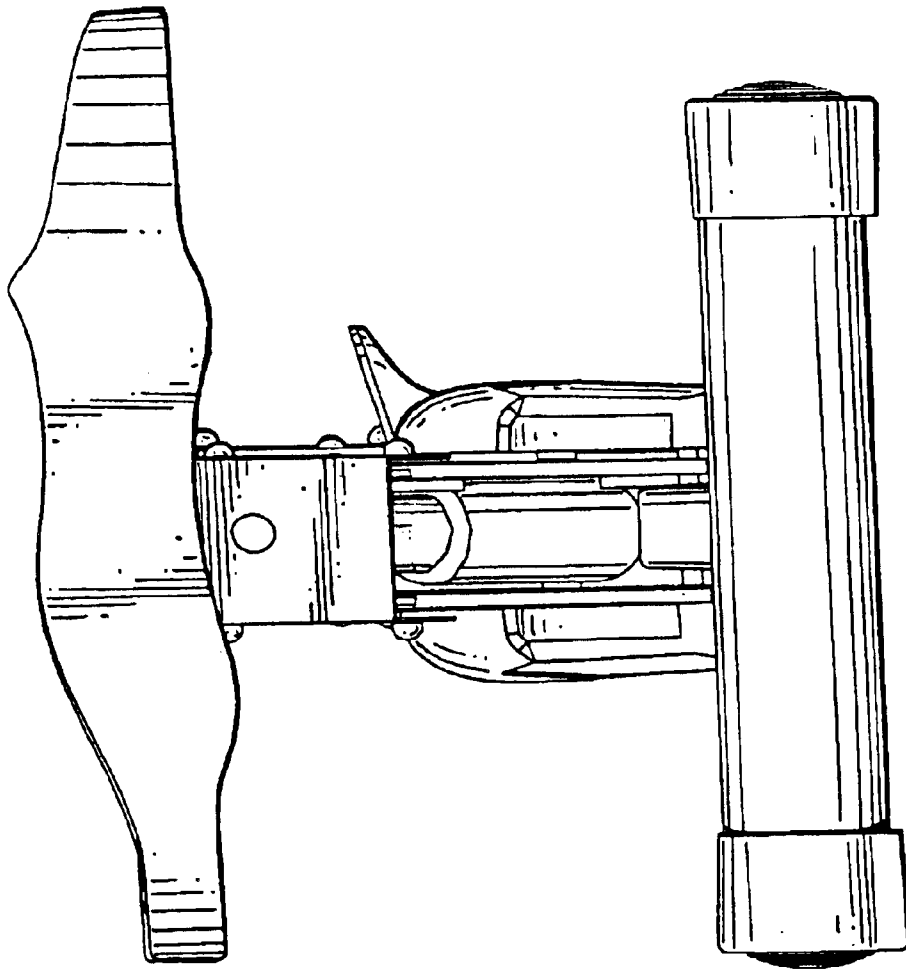


FIG.5

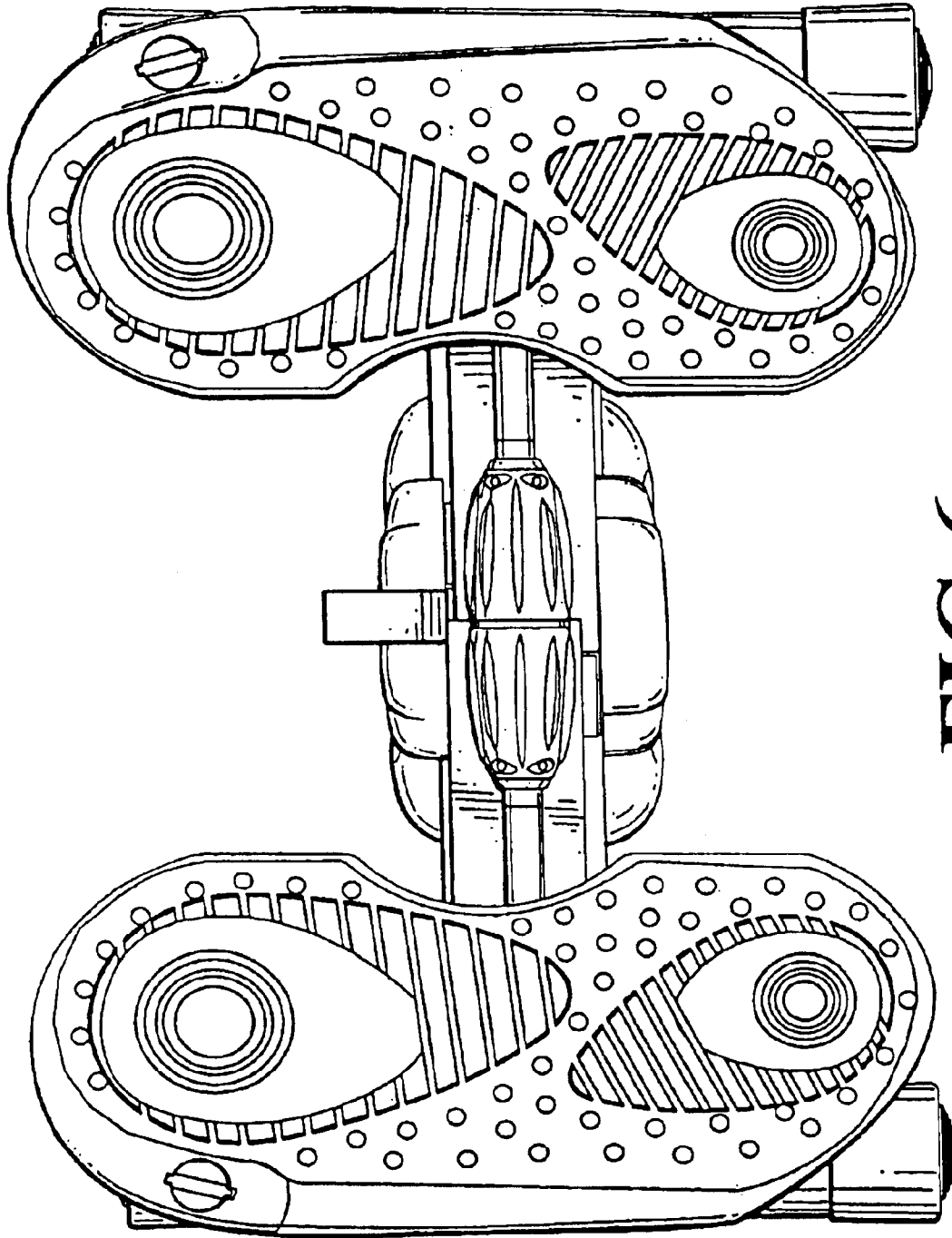


FIG. 6

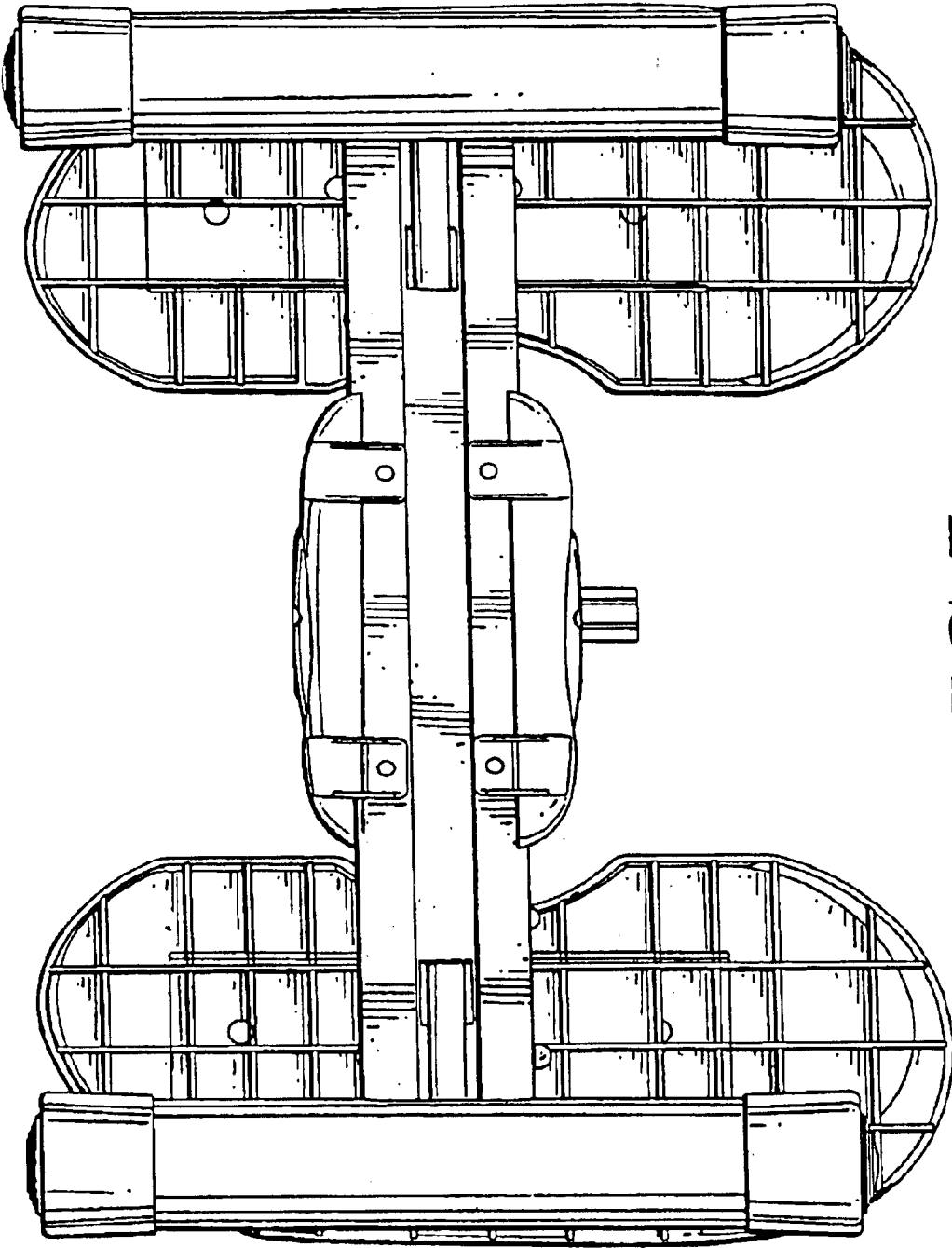


FIG. 7