



US00D502913S

(12) **United States Design Patent**  
**Fukami et al.**

(10) **Patent No.:** **US D502,913 S**

(45) **Date of Patent:** **\*\* Mar. 15, 2005**

(54) **CHARGER FOR DATA ENTRY EQUIPMENT**

(75) Inventors: **Hideo Fukami**, Tokyo (JP); **Keisuke Tsuji**, Tokyo (JP)

(73) Assignee: **NEC Corporation**, Tokyo (JP)

(\*\*) Term: **14 Years**

(21) Appl. No.: **29/181,753**

(22) Filed: **May 16, 2003**

(30) **Foreign Application Priority Data**

Nov. 19, 2002 (JP) ..... 2002-031854

(51) **LOC (7) Cl.** ..... **13-02**

(52) **U.S. Cl.** ..... **D13/108**

(58) **Field of Search** ..... D13/107-108,  
D13/110, 118; D14/251, 253, 432, 447;  
D16/219, 237, 242; D8/349, 373; 320/107-115

(56) **References Cited**

**U.S. PATENT DOCUMENTS**

- D204,881 S \* 5/1966 Cook et al. .... D13/108
- D287,365 S \* 12/1986 Judd ..... D14/447
- D311,001 S \* 10/1990 Hassel et al. .... D14/447
- D349,696 S \* 8/1994 Hames ..... D14/447
- D362,245 S \* 9/1995 Moffatt ..... D14/447

- D374,425 S \* 10/1996 Crane ..... D13/107
- D389,166 S \* 1/1998 Swayze et al. .... D16/242
- D416,878 S \* 11/1999 Yeh et al. .... D14/447
- D427,981 S \* 7/2000 Inukai ..... D14/453
- D429,212 S \* 8/2000 Oden et al. .... D13/108
- 6,313,604 B1 \* 11/2001 Chen ..... 320/114

\* cited by examiner

*Primary Examiner*—Alan P. Douglas

*Assistant Examiner*—Rosemary Tarcza

(74) *Attorney, Agent, or Firm*—Sughrue Mion, PLLC

(57) **CLAIM**

The ornamental design for a charger for data entry equipment, as shown.

**DESCRIPTION**

FIG. 1 is a perspective view of the top front and right side of a charger for data entry equipment showing our new design;

FIG. 2 is a front elevational view thereof;

FIG. 3 is a rear elevational view thereof;

FIG. 4 is a left side elevational view thereof;

FIG. 5 is a right side elevational view thereof;

FIG. 6 is a top plan view thereof; and,

FIG. 7 is a bottom plan view thereof.

**1 Claim, 3 Drawing Sheets**

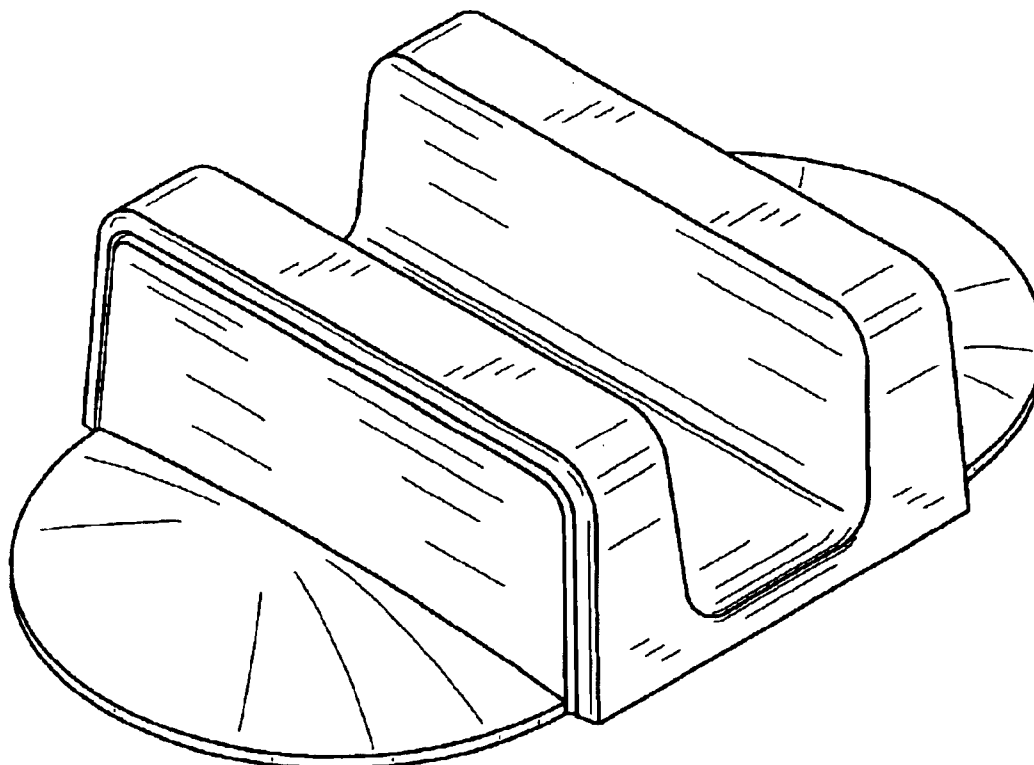


FIG. 1

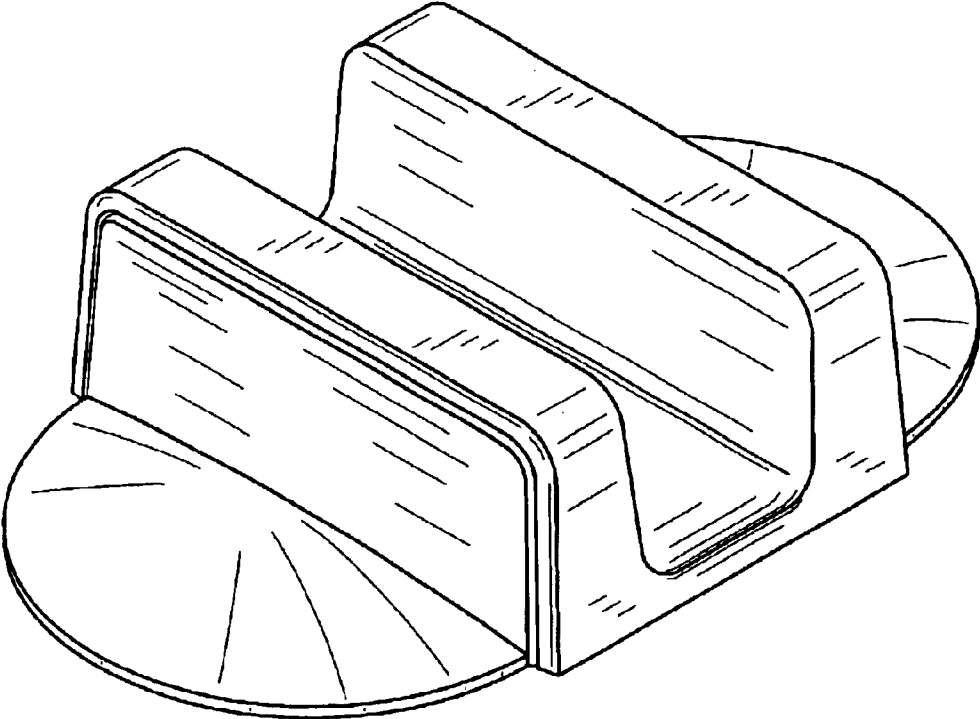


FIG. 2



FIG. 3

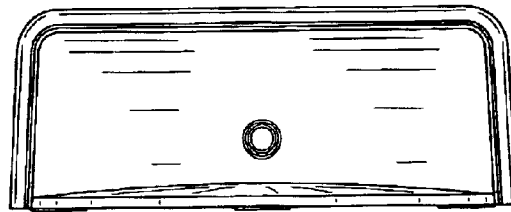


FIG. 4

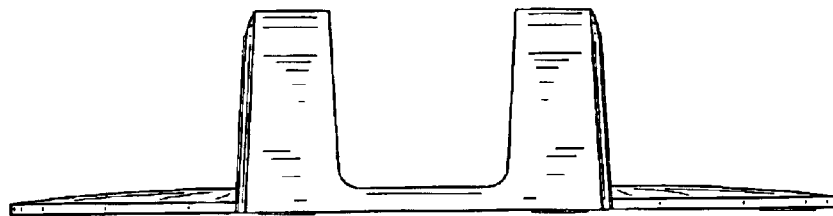


FIG. 5

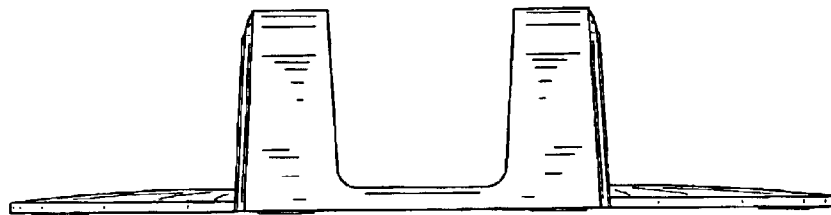


FIG. 6

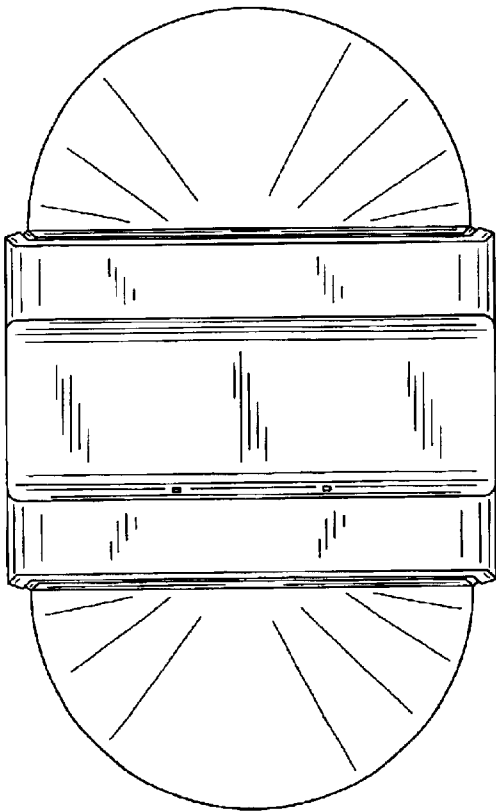


FIG. 7

