



US00D638033S

(12) **United States Design Patent**
Ballard

(10) **Patent No.:** **US D638,033 S**

(45) **Date of Patent:** **** May 17, 2011**

(54) **AIR INTAKE ASSEMBLY**

(76) Inventor: **Claudio R. Ballard**, Fort Lauderdale, FL
(US)

(**) Term: **14 Years**

(21) Appl. No.: **29/304,859**

(22) Filed: **Mar. 7, 2008**

(51) **LOC (9) Cl.** **15-01**

(52) **U.S. Cl.** **D15/5**

(58) **Field of Classification Search** D15/1-5,
D15/150; 123/52 M, 41.1, 41.73, 210, 184.21,
123/184.25, 184.26, 184.27, 184.61, 572,
123/41.7, 184.53, 184.57, 184.35, 184.36,
123/184.43, 184.48, 184.34; 261/DIG. 36,
261/23.3, 23.4

See application file for complete search history.

(56) **References Cited**

U.S. PATENT DOCUMENTS

1,848,064 A	3/1932	Oishei
2,180,731 A	11/1939	Dickinson
2,496,700 A	2/1950	Cole
2,786,359 A	3/1957	Karlan et al.
2,801,118 A	7/1957	Amesbury
2,881,860 A	4/1959	Ternes
2,897,916 A	8/1959	Probst
3,133,741 A	5/1964	Garabello
3,259,684 A	7/1966	Wakefield
3,279,834 A	10/1966	Budzynski
3,351,364 A	11/1967	Warn et al.
3,433,891 A	3/1969	Mackenzie, Jr. et al.
3,435,701 A	4/1969	Bucher
3,641,746 A	2/1972	Smith et al.
3,691,525 A	9/1972	McClellan et al.
3,831,209 A	8/1974	Clingman
4,061,054 A	12/1977	Wenninger
4,135,593 A	1/1979	Fowkes
4,236,274 A	12/1980	Omote et al.
4,441,382 A	4/1984	Snooks
4,515,393 A	5/1985	Sauter
4,590,339 A	5/1986	Scott-Jackson et al.

4,591,211 A	5/1986	Browning et al.
4,707,788 A	11/1987	Tashiro et al.
4,771,368 A	9/1988	Tsukamoto et al.
4,772,299 A	9/1988	Bogusz
4,807,490 A	2/1989	Foggini
4,825,669 A	5/1989	Herrera
4,957,071 A *	9/1990	Matsuo et al. 123/184.36
5,016,578 A *	5/1991	Ogawa et al. 123/184.34

(Continued)

FOREIGN PATENT DOCUMENTS

DE 19526809 A1 1/1997

(Continued)

OTHER PUBLICATIONS

Ethernet over twisted pair; Wikipedia, the free encyclopedia; Jun. 3, 2008; pp. 1-3; available at http://en.wikipedia.org/wiki/Ethernet_over_twisted_pair.

(Continued)

Primary Examiner — Philip S Hyder
Assistant Examiner — Linda G. Brooks
(74) *Attorney, Agent, or Firm* — Howison & Arnott, L.L.P.

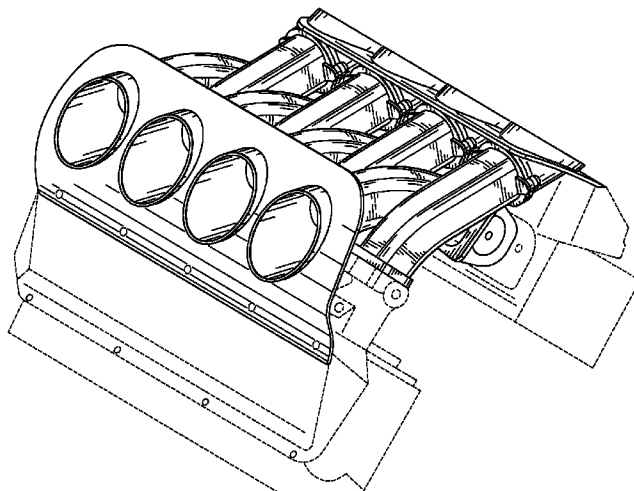
(57) **CLAIM**

The ornamental design for an air intake assembly, as shown and described.

DESCRIPTION

FIG. 1 is a top perspective view of an air intake assembly; FIG. 2 is a top view thereof; FIG. 3 is a bottom view thereof; FIG. 4 is a side view thereof; FIG. 5 is a rear view thereof; and, FIG. 6 is a bottom perspective view thereof. The broken lines within the bounds of the air intake assembly represent unclaimed portions of the design, while the other broken lines represent environmental structure that form no part of the claimed design.

1 Claim, 4 Drawing Sheets



U.S. PATENT DOCUMENTS

5,048,471	A	9/1991	Takli et al.	
5,064,274	A	11/1991	Alten	
5,066,062	A	11/1991	Sekulovski	
5,121,818	A	6/1992	McComic	
5,133,750	A	7/1992	Momose et al.	
5,149,915	A	9/1992	Brunker et al.	
5,156,198	A	10/1992	Hall	
5,304,739	A	4/1994	Klug et al.	
5,322,340	A	6/1994	Sato et al.	
5,431,485	A	7/1995	Hayashi	
5,517,173	A	5/1996	Cha et al.	
5,557,698	A	9/1996	Gareis et al.	
5,613,012	A	3/1997	Hoffman et al.	
5,615,277	A	3/1997	Hoffman	
5,635,903	A	6/1997	Koike et al.	
5,637,933	A	6/1997	Rawlings et al.	
5,738,369	A	4/1998	Durrani	
5,745,027	A	4/1998	Malville	
5,770,797	A	6/1998	Lapohn	
5,794,733	A	8/1998	Stosel et al.	
5,802,922	A	9/1998	Kawai et al.	
5,808,374	A	9/1998	Miller et al.	
5,853,857	A	12/1998	Mahmood et al.	
5,870,723	A	2/1999	Pare, Jr. et al.	
5,910,988	A	6/1999	Ballard	
5,934,744	A	8/1999	Jergens et al.	
D416,525	S	11/1999	Sacco et al.	
5,988,238	A	11/1999	Palvolgyi	
6,032,137	A	2/2000	Ballard	
6,092,898	A	7/2000	De Juan, Jr.	
6,116,700	A	9/2000	Herrera	
6,182,807	B1	2/2001	Saito et al.	
6,198,244	B1	3/2001	Hayden et al.	
D440,918	S	4/2001	Pfeiffer	
6,234,555	B1	5/2001	Emmerich et al.	
6,253,131	B1	6/2001	Quigley et al.	
6,253,716	B1	7/2001	Palmer et al.	
6,263,447	B1	7/2001	French et al.	
6,269,348	B1	7/2001	Pare, Jr. et al.	
6,282,658	B2	8/2001	French et al.	
6,321,339	B1	11/2001	French et al.	
6,357,563	B1	3/2002	Hayford et al.	
6,366,682	B1	4/2002	Hoffman et al.	
6,397,198	B1	5/2002	Hoffman et al.	
6,411,728	B1	6/2002	Lee et al.	
6,479,973	B2	11/2002	Saito et al.	
D481,337	S	10/2003	Hartono et al.	
6,679,215	B2 *	1/2004	Benson et al.	123/184.34
6,693,523	B1	2/2004	Abel et al.	
6,718,842	B1	4/2004	Bofias	
D492,629	S	7/2004	Hartono et al.	
6,780,047	B1	8/2004	Laity	
6,782,862	B2 *	8/2004	Homi	123/184.47
6,843,115	B2	1/2005	Rutherford	
7,004,787	B2	2/2006	Milan	
7,055,883	B2	6/2006	Tokutomi et al.	
7,059,289	B2 *	6/2006	Cunningham et al. ...	123/184.47
7,068,158	B2	6/2006	Komatsu et al.	
7,146,129	B2	12/2006	Bostrom et al.	
7,165,871	B2	1/2007	Takeda et al.	
D537,393	S	2/2007	Chanteloup	
7,206,672	B2	4/2007	Mueller	
7,257,397	B2	8/2007	Shamoon et al.	
D551,604	S	9/2007	Kapffenstein	
7,266,435	B2	9/2007	Wang et al.	
D551,971	S	10/2007	Hardwick	
D559,159	S	1/2008	Kazyaka	
D562,738	S	2/2008	Young	
7,375,285	B2	5/2008	Chiang	
D571,268	S	6/2008	Hoffman	
D574,661	S	8/2008	Logan	
D575,581	S	8/2008	Harris	
D580,457	S *	11/2008	Bender	D15/5
D581,843	S	12/2008	Kluck	
7,483,952	B2	1/2009	Light et al.	
2002/0073507	A1	6/2002	Presley	
2002/0082750	A1	6/2002	Lamke et al.	
2003/0011546	A1	1/2003	Obata et al.	

2003/0225693	A1	12/2003	Ballard et al.
2004/0043753	A1	3/2004	Wake et al.
2004/0129197	A1	7/2004	Nakagawa et al.
2004/0155789	A1	8/2004	Crews
2004/0158723	A1	8/2004	Root
2005/0021190	A1	1/2005	Worrell et al.
2005/0140129	A1	6/2005	Miki et al.
2005/0141225	A1	6/2005	Striebel
2005/0168071	A1	8/2005	Durbin et al.
2005/0257613	A1	11/2005	Spencer et al.
2005/0264268	A1	12/2005	Ueno
2006/0053281	A1	3/2006	Andersson
2006/0097577	A1	5/2006	Kato et al.
2006/0097852	A1	5/2006	Lammers et al.
2006/0162485	A1	7/2006	Leng et al.
2006/0266273	A1	11/2006	Westberg et al.
2007/0001830	A1	1/2007	Dagci et al.
2007/0024117	A1	2/2007	Boenker, IV et al.
2007/0030137	A1	2/2007	Masters et al.
2007/0077058	A1	4/2007	Kontani
2007/0137367	A1	6/2007	Papa et al.
2008/0002420	A1	1/2008	Lambert et al.
2008/0007961	A1	1/2008	Mochizuki et al.
2008/0031004	A1	2/2008	Chu
2008/0034209	A1	2/2008	Dickinson et al.
2008/0157593	A1	7/2008	Bax et al.
2008/0222844	A1	9/2008	Broadhead et al.
2009/0011639	A1	1/2009	Ballard et al.
2009/0016216	A1	1/2009	Ballard et al.
2009/0223318	A1	9/2009	Ballard
2009/0223437	A1	9/2009	Ballard
2009/0223438	A1	9/2009	Ballard
2009/0223757	A1	9/2009	Ballard
2009/0223789	A1	9/2009	Ballard
2009/0224895	A1	9/2009	Ballard
2009/0267405	A1	10/2009	Ballard
2009/0271949	A1	11/2009	Sprague et al.
2009/0272313	A1	11/2009	Ballard et al.
2009/0272589	A1	11/2009	Ballard
2009/0273170	A1	11/2009	Ballard et al.
2009/0273208	A1	11/2009	Ballard et al.
2009/0273282	A1	11/2009	Ballard et al.
2009/0273942	A1	11/2009	Ballard et al.
2009/0274416	A1	11/2009	Ballard
2009/0277707	A1	11/2009	Ballard
2009/0289062	A1	11/2009	Ballard
2009/0289757	A1	11/2009	Ballard

FOREIGN PATENT DOCUMENTS

DE	10311396	A1	9/2004
DE	102004053238	A1	5/2006
EP	0507225	A	10/1992
EP	1429348	A	6/2004
EP	1493630		1/2005
GB	462033	A	3/1937
GB	2203483	A	10/1988
JP	5-169981	A	7/1993

OTHER PUBLICATIONS

PCT: International Search Report and Written Opinion of PCT/US2009/059073 (related application); Jan. 22, 2010; 7 pgs.
PCT: International Search Report and Written Opinion of PCT/US2009/045063 (related application); Aug. 12, 2009; 7 pgs.
PCT: International Search Report and Written Opinion of PCT/US2009/043649 (related application); Aug. 10, 2009; 8 pgs.
PCT: International Search Report and Written Opinion of PCT/US2009/036322 (related application); Jun. 11, 2009; 8 pgs.
PCT: International Search Report and Written Opinion of PCT/US2009/036234 (related application); Dec. 21, 2009; 6 pgs.
PCT: International Search Report and Written Opinion of PCT/US2009/036190 (related application); Jul. 15, 2009; 8 pgs.
PCT: International Search Report and Written Opinion of PCT/US2009/036078 (related application); Apr. 15, 2009; 7 pgs.
PCT: International Search Report and Written Opinion of PCT/US2009/036073 (related application); May 16, 2009; 8 pgs.
PCT: International Search Report and Written Opinion of PCT/US2009/036001 (related application); Apr. 14, 2009; 12 pgs.

PCT: International Search Report and Written Opinion of PCT/US2009/035850 (related application); Apr. 15, 2009; 9 pgs.
PCT: International Search Report and Written Opinion of PCT/US2009/035844 (related application); Apr. 23, 2009; 7 pgs.
PCT: International Search Report and Written Opinion of PCT/US2009/035715 (related application); Apr. 29, 2009; 8 pgs.
PCT: International Search Report and Written Opinion of PCT/US2009/035626 (related application); Jun. 3, 2009; 7 pgs.
PCT: International Search Report and Written Opinion of PCT/US2009/035625 (related application); May 25, 2009; 9 pgs.
PCT: International Search Report and Written Opinion of PCT/US2009/035615 (related application); Jul. 14, 2009; 7 pgs.
PCT: International Search Report and Written Opinion of PCT/US2009/035614 (related application); Aug. 21, 2009; 10 pgs.

PCT: International Preliminary Report on Patentability of PCT/IB2008/002056 (related application); Dec. 7, 2009.
PCT: International Preliminary Report on Patentability of PCT/IB2008/002060 (related application); Dec. 7, 2009.
PCT: International Search Report and Written Opinion of PCT/IB2008/002056 (related application); Jan. 7, 2009; 9 pgs.
PCT: International Search Report and Written Opinion of PCT/IB2008/002060 (related application); Feb. 16, 2009; 12 pgs.
Vanderwerp, Dave, "2011 Dodge Circuit EV—First Drive Review." Jun. 2009; pp. 1-4; available at http://www.caranddriver.com/reviews/car/09q2/2011_dodge_circuit_ev-first_drive_review.

* cited by examiner

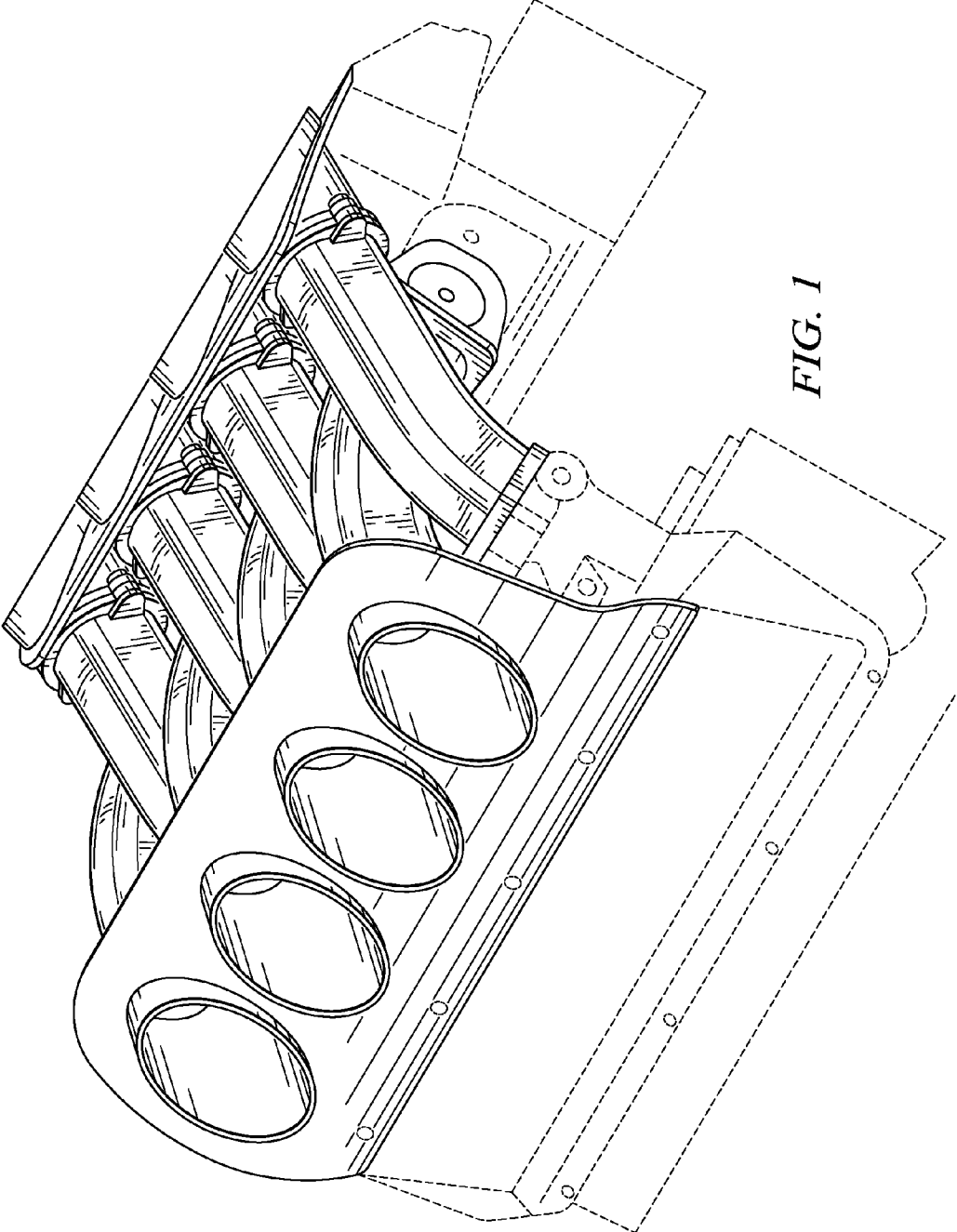


FIG. 1

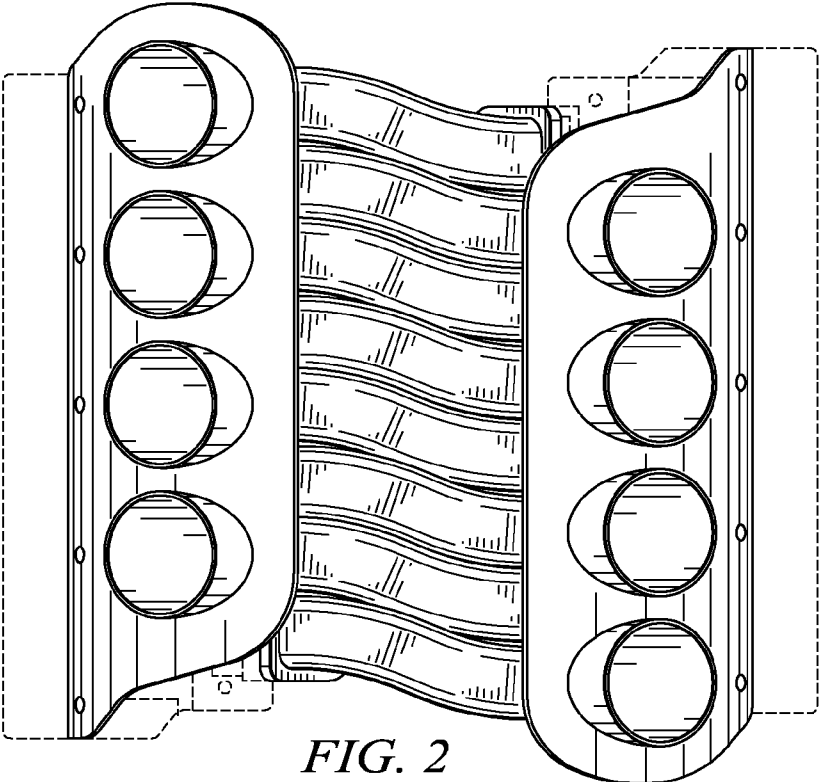


FIG. 2

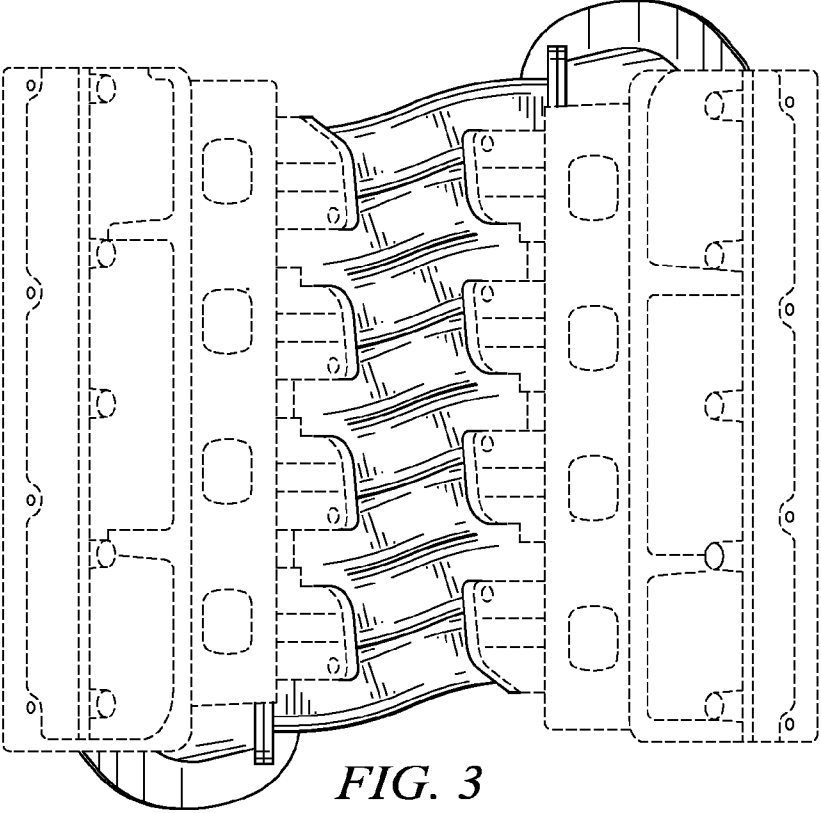


FIG. 3

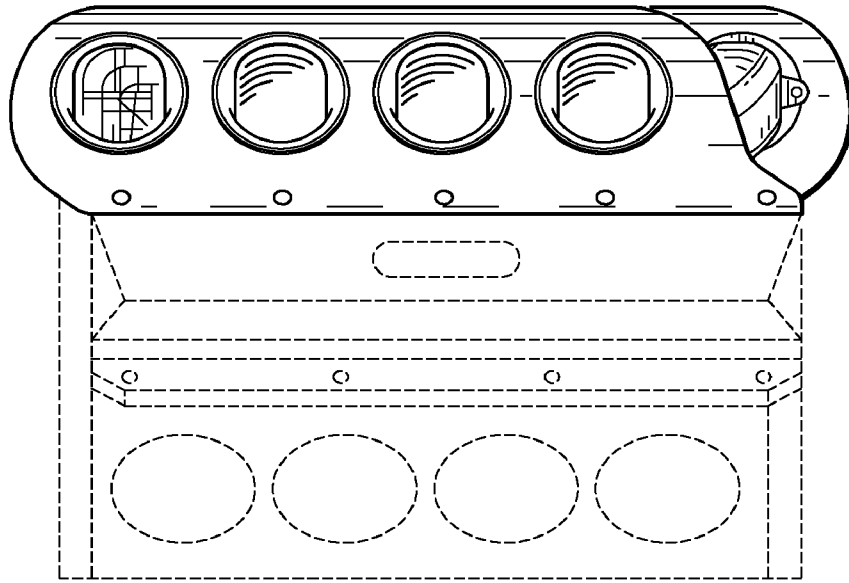


FIG. 4

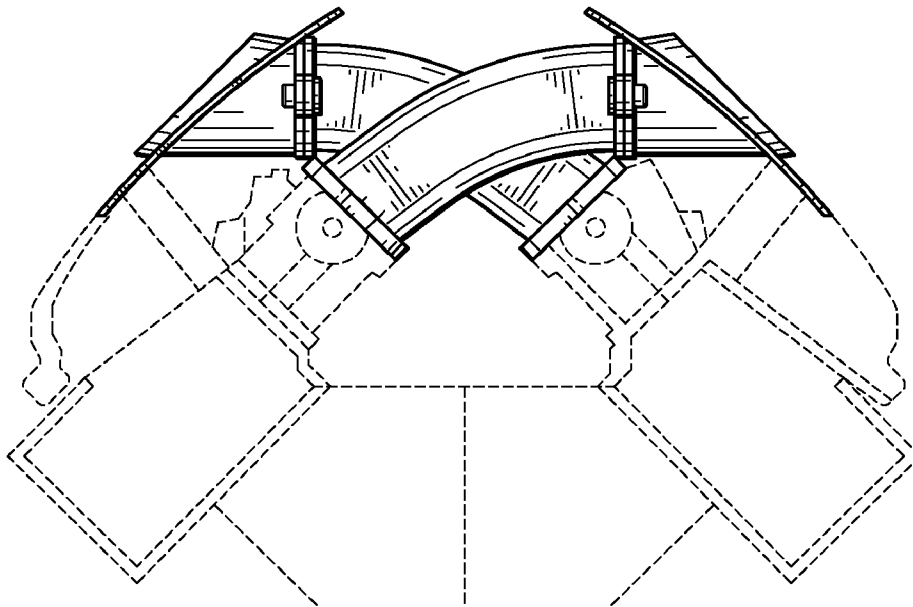


FIG. 5

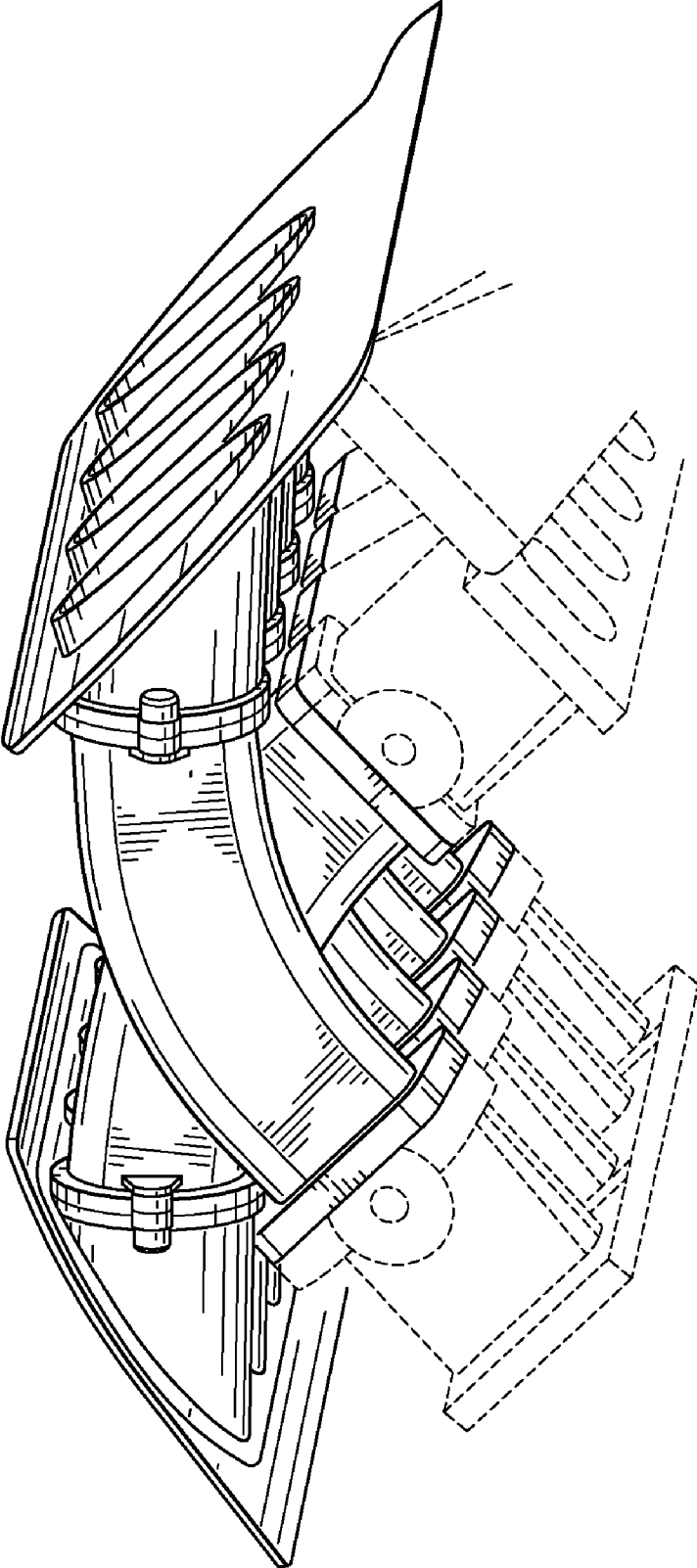


FIG. 6