



US0D1010771S

(12) **United States Design Patent**
Moran et al.

(10) **Patent No.:** **US D1,010,771 S**

(45) **Date of Patent:** **** Jan. 9, 2024**

(54) **SHOWER ADAPTER DEVICE**

(71) Applicants: **Kevin Francis Moran**, South Lyon, MI (US); **Elliott Richard Heinrich**, Grand Rapids, MI (US)

D687,924 S * 8/2013 Newson D23/213
9,080,320 B1 7/2015 Taylor
D759,198 S * 6/2016 Schultz D23/213

(Continued)

(72) Inventors: **Kevin Francis Moran**, South Lyon, MI (US); **Elliott Richard Heinrich**, Grand Rapids, MI (US)

FOREIGN PATENT DOCUMENTS
DE 202010010889 11/2010
GB 2468654 7/2013

(**) Term: **15 Years**

OTHER PUBLICATIONS

(21) Appl. No.: **29/827,164**

Shower Head, Stainless Steel, Oct. 3, 2017, amazon.ca, May 19, 2023, URL: https://www.amazon.ca/dp/B0078RZ62K/ref=sbl_dp_x-ca-home-improvement-bathroom-fixed-showerheads_B09KV26DM4_0 (Year: 2017).*

(22) Filed: **Feb. 17, 2022**

(Continued)

(51) **LOC (14) Cl.** **23-01**

(52) **U.S. Cl.**
USPC **D23/213**

Primary Examiner — Keith J Wilson
(74) *Attorney, Agent, or Firm* — Burriss Law, PLLC

(58) **Field of Classification Search**
USPC D23/213, 214, 215, 223, 224, 226, 229, D23/230

(57) **CLAIM**

CPC A61H 9/0021; A61H 33/00; B05B 1/00; B05B 1/14; B05B 1/185; B05B 1/08; B05B 1/02; B05B 1/26; B05B 12/002; B05B 1/18; B05B 9/01

The ornamental design for a shower adapter device, as shown and described.

See application file for complete search history.

DESCRIPTION

(56) **References Cited**

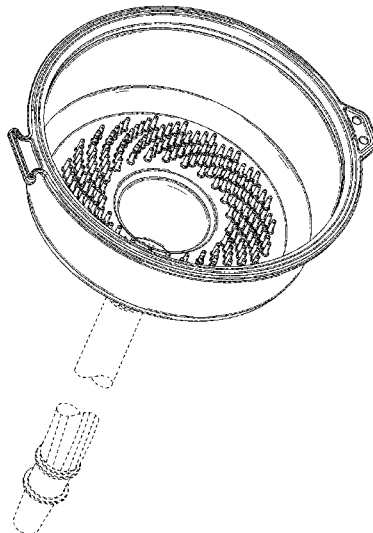
FIG. 1 is a top-front perspective view of the shower adapter device;
FIG. 2 is a bottom-front perspective view thereof;
FIG. 3 is a top view thereof;
FIG. 4 is a rear view thereof;
FIG. 5 is a right side view thereof;
FIG. 6 is a front view thereof;
FIG. 7 is a left side view thereof;
FIG. 8 is a bottom view thereof; and,
FIG. 9 is a cross-sectional view thereof taken along line 9-9 shown in FIG. 8.

U.S. PATENT DOCUMENTS

2,326,479	A	8/1943	Mejdrich	
D274,168	S *	6/1984	Whedon	D23/213
4,600,125	A	7/1986	Maynard, Jr.	
4,784,184	A	11/1988	Gates	
5,052,149	A	10/1991	Johnson	
6,315,220	B1	11/2001	Grubb	
D454,938	S *	3/2002	Lord	D23/213
D468,800	S *	1/2003	Tse	D23/213
D475,119	S *	5/2003	Colligan	D23/213
D501,243	S *	1/2005	Blomstrom	D23/229
D511,810	S *	11/2005	Hanna	D23/229
D572,796	S *	7/2008	Genord	D23/229
D588,675	S *	3/2009	Grocholske	D23/213
D610,226	S *	2/2010	Yabe	D23/213

The broken lines are included for the purpose of illustrating unclaimed features of the shower adapter device and form no part of the claimed design.

1 Claim, 9 Drawing Sheets



(56)

References Cited

U.S. PATENT DOCUMENTS

9,725,292	B2	8/2017	Friedlich	
9,845,233	B1	12/2017	Stibinger	
10,144,628	B1	12/2018	Hardy et al.	
10,393,300	B1	8/2019	Lane	
10,413,478	B2	9/2019	Davis	
11,085,567	B2	8/2021	Lane	
D934,994	S *	11/2021	Fantini	D23/213
2003/0015187	A1	1/2003	Koncelik, Jr.	
2009/0133886	A1	5/2009	Van Noord	
2012/0267006	A1	10/2012	Liao	
2017/0209640	A1	7/2017	Felder	

OTHER PUBLICATIONS

Rohl B2160/IPN Bossini Cloudburst Showerhead, Polished Nickel, Feb. 15, 2016, amazon.ca, May 19, 2023, URL: https://www.amazon.ca/dp/B0074IOOC6/ref=sbl_dp_ca-home-improvement-bathroom-fixed-showerheads_B0078RZ62K_0 (Year: 2016).*

* cited by examiner

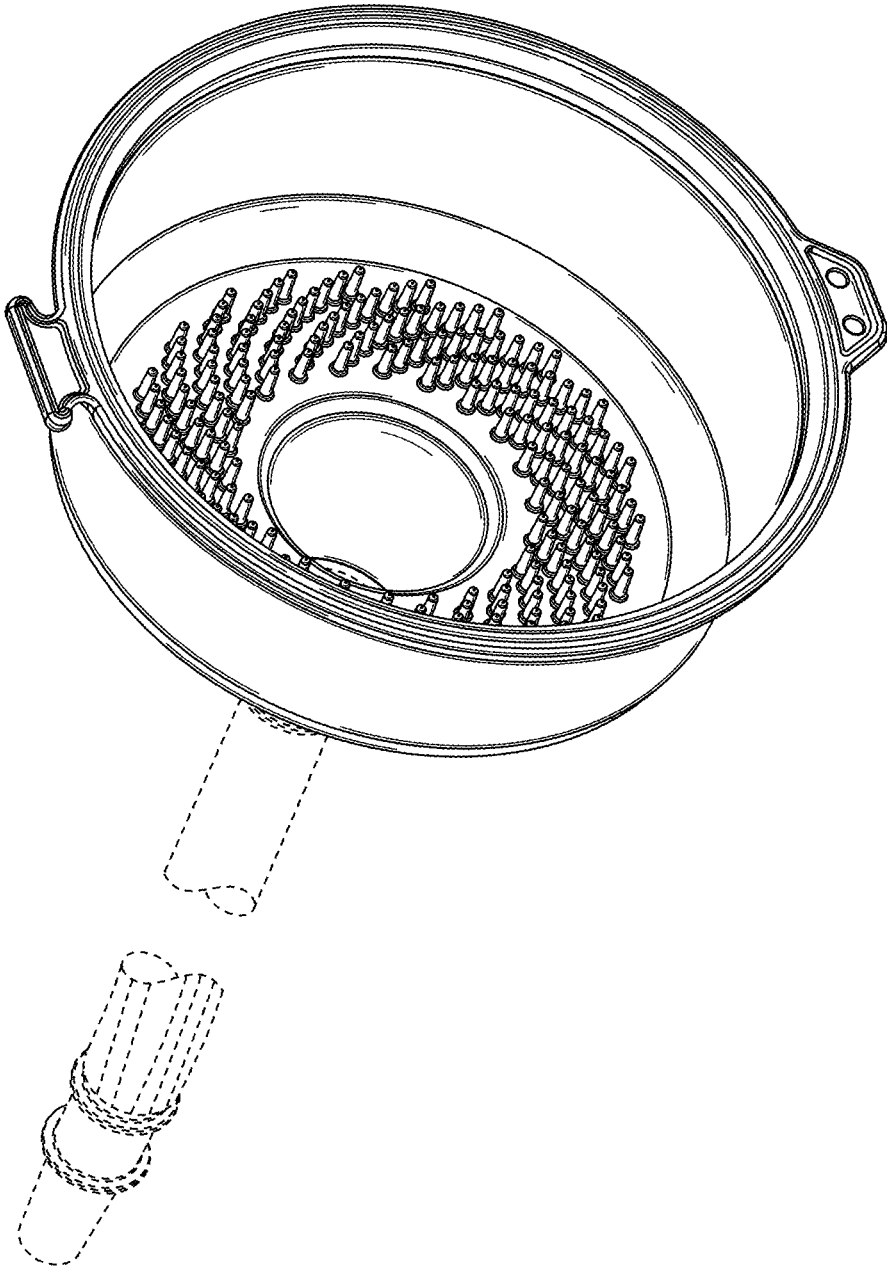


FIG. 1

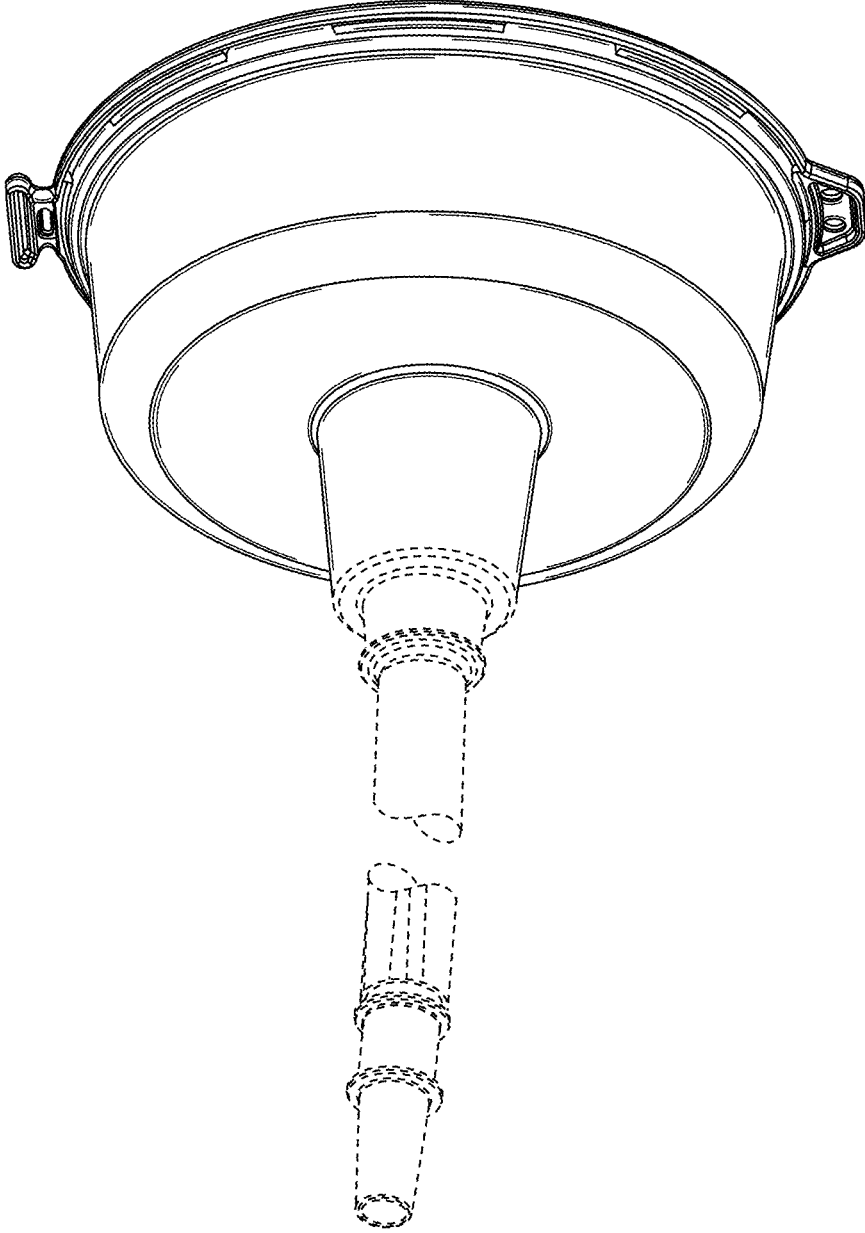


FIG. 2

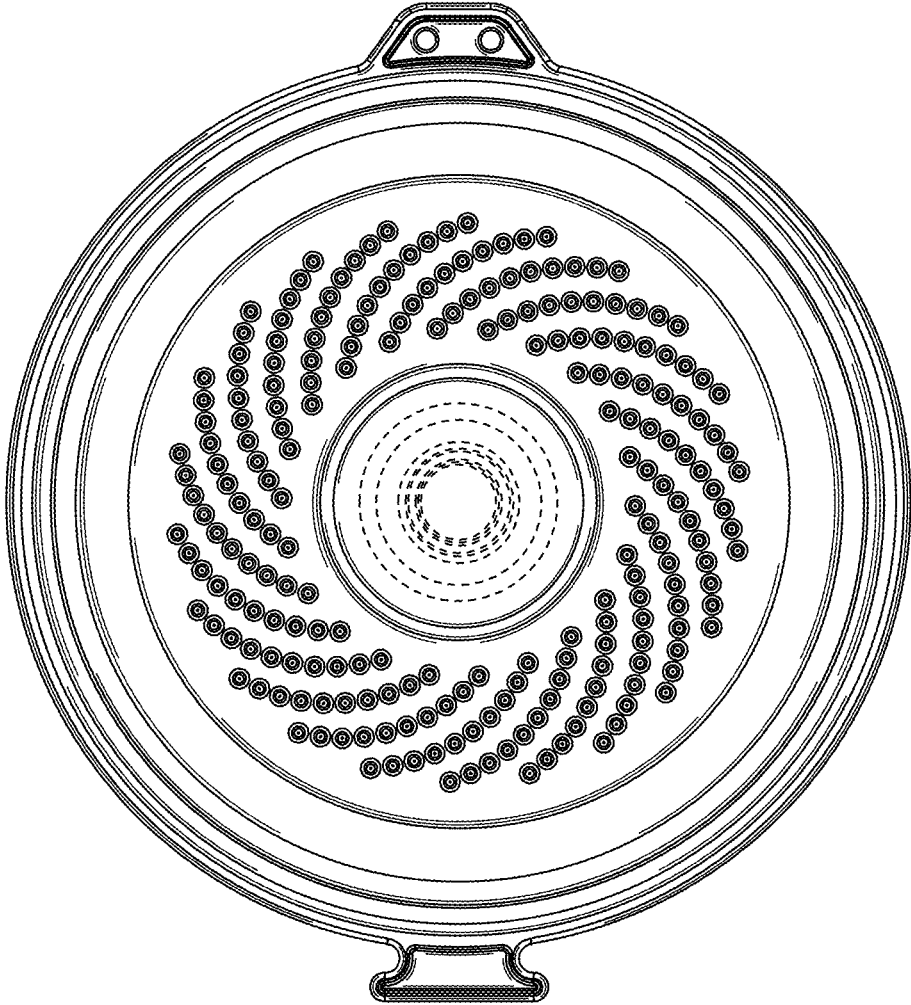


FIG. 3

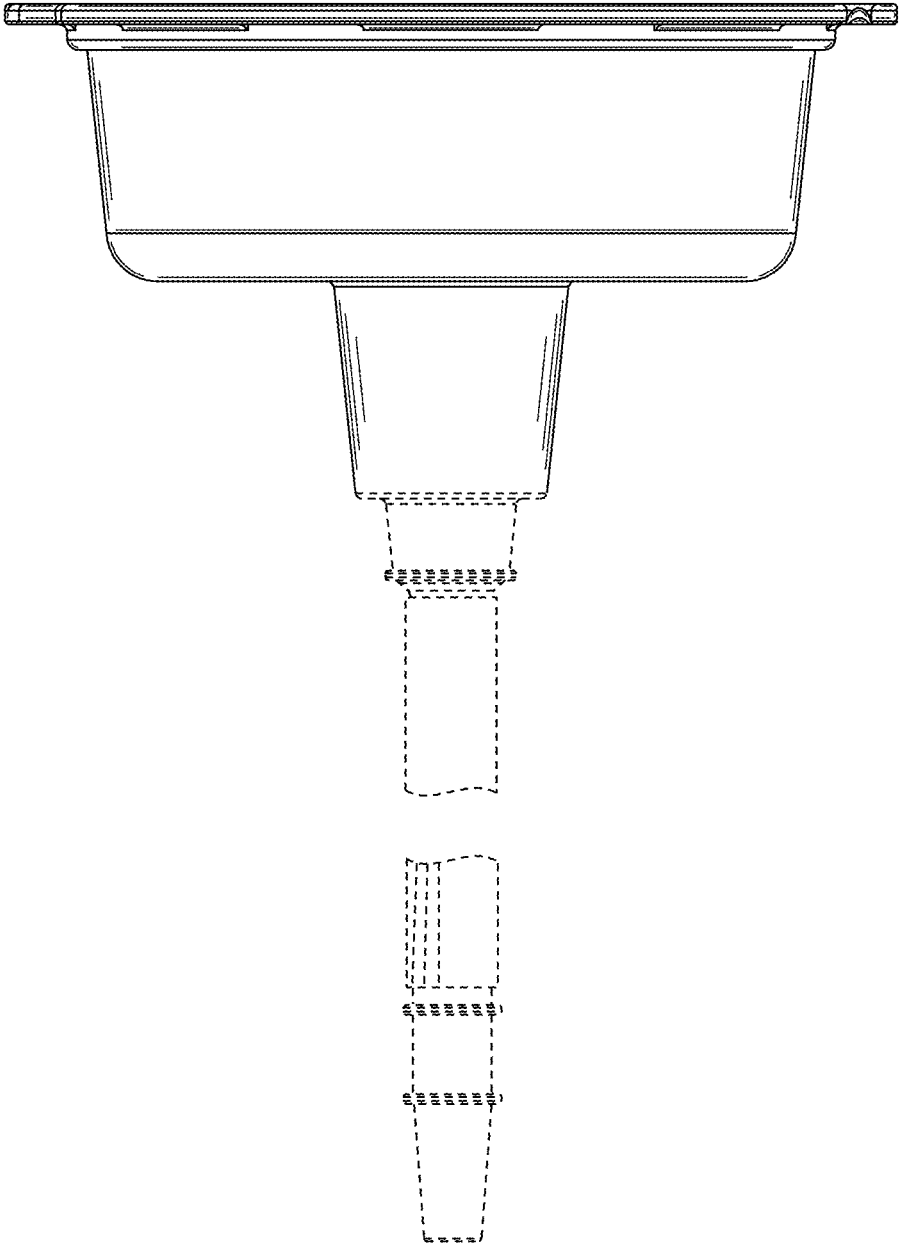


FIG. 4

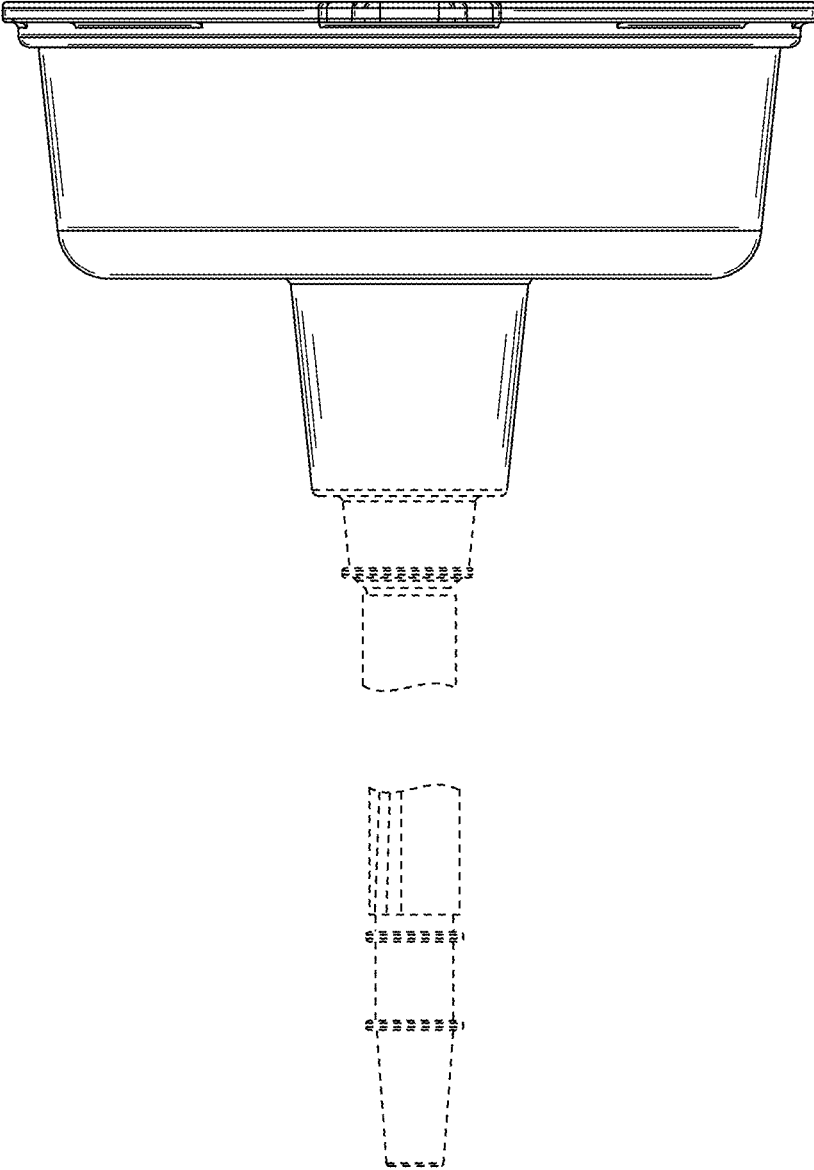


FIG. 5

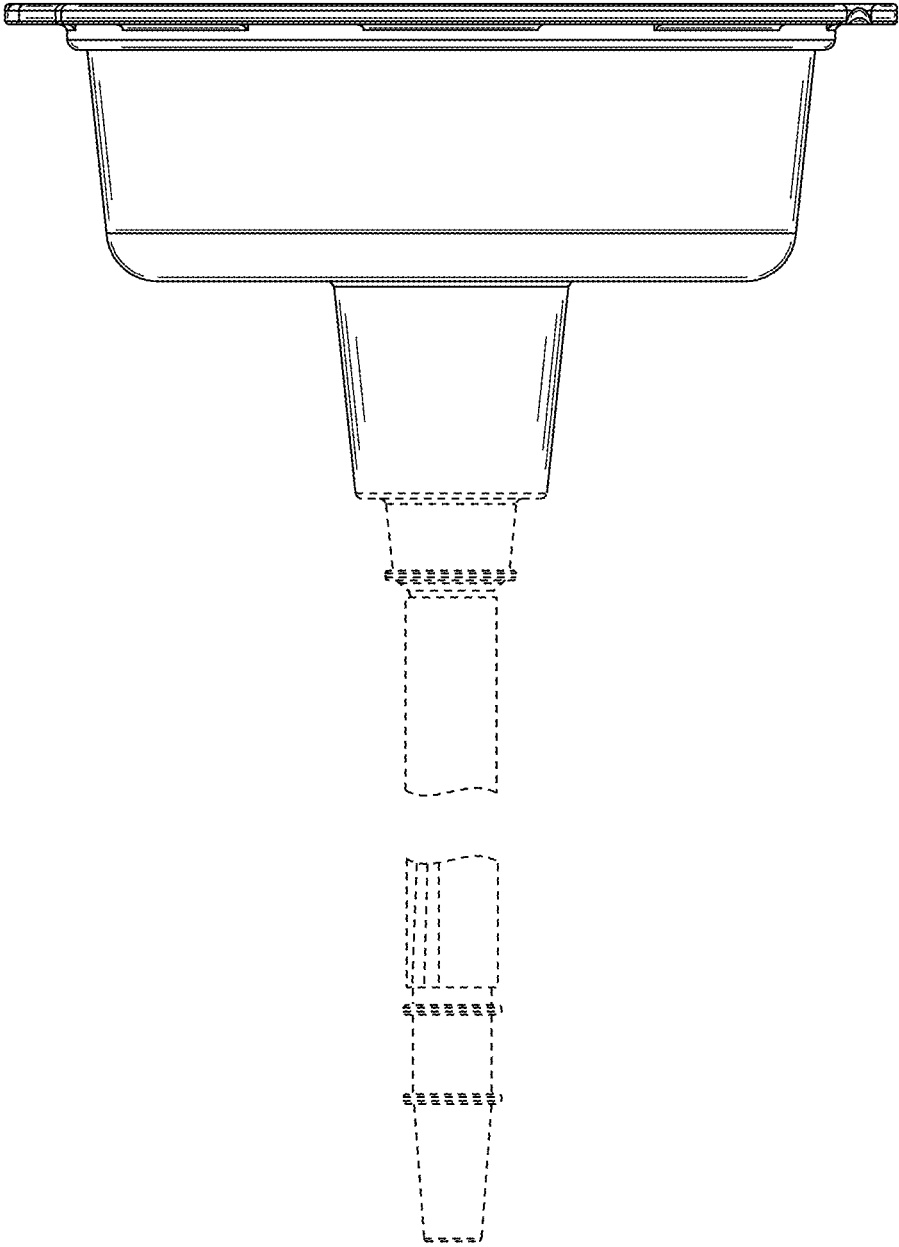


FIG. 6

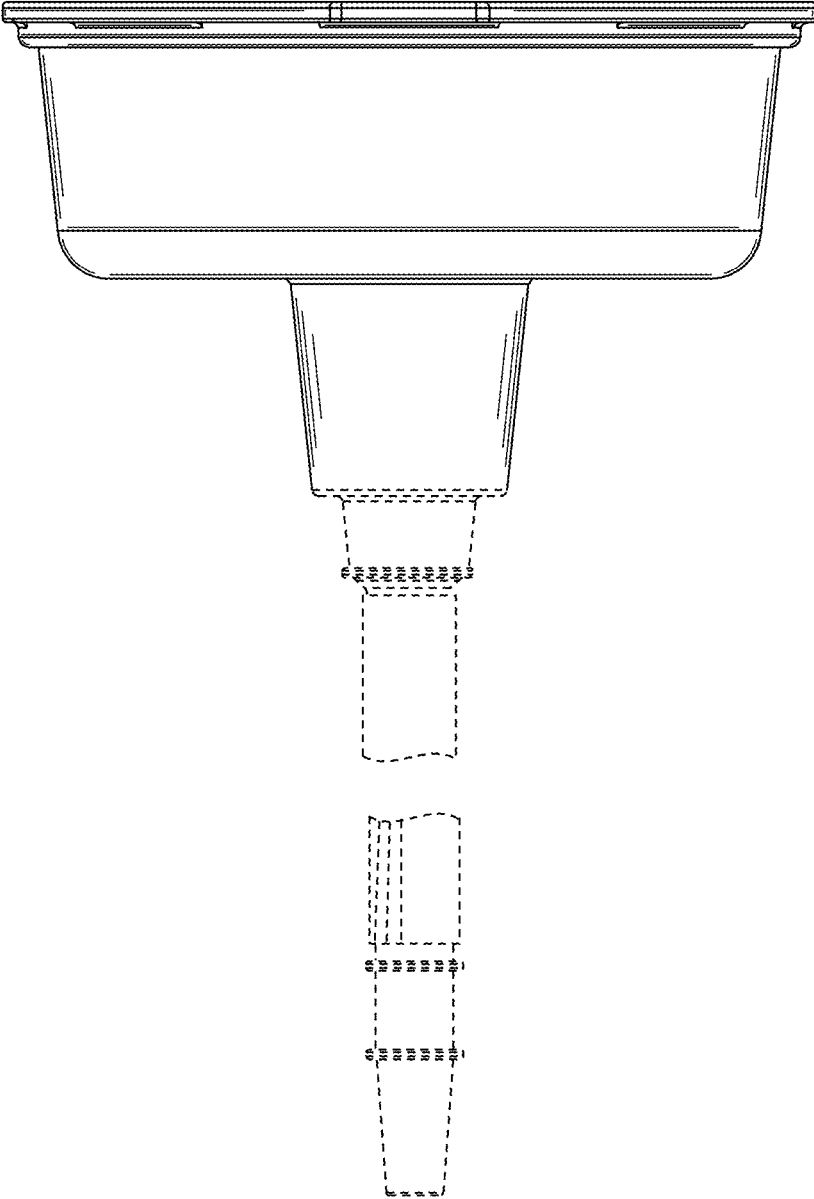


FIG. 7

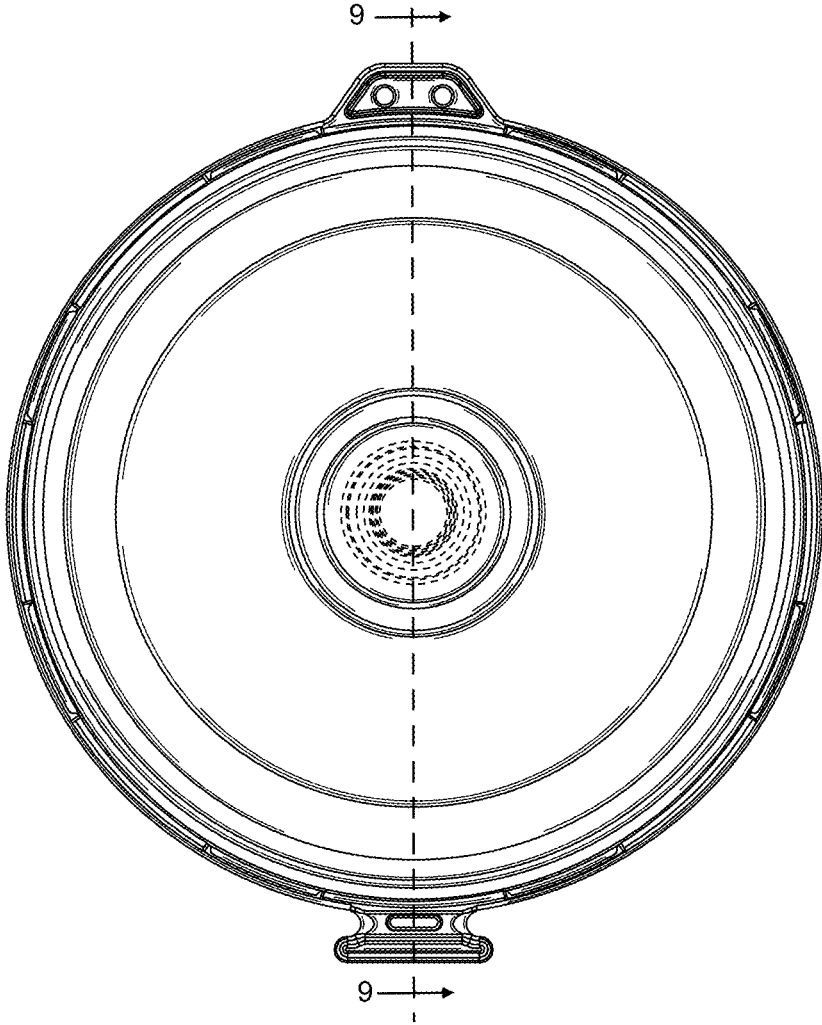


FIG. 8

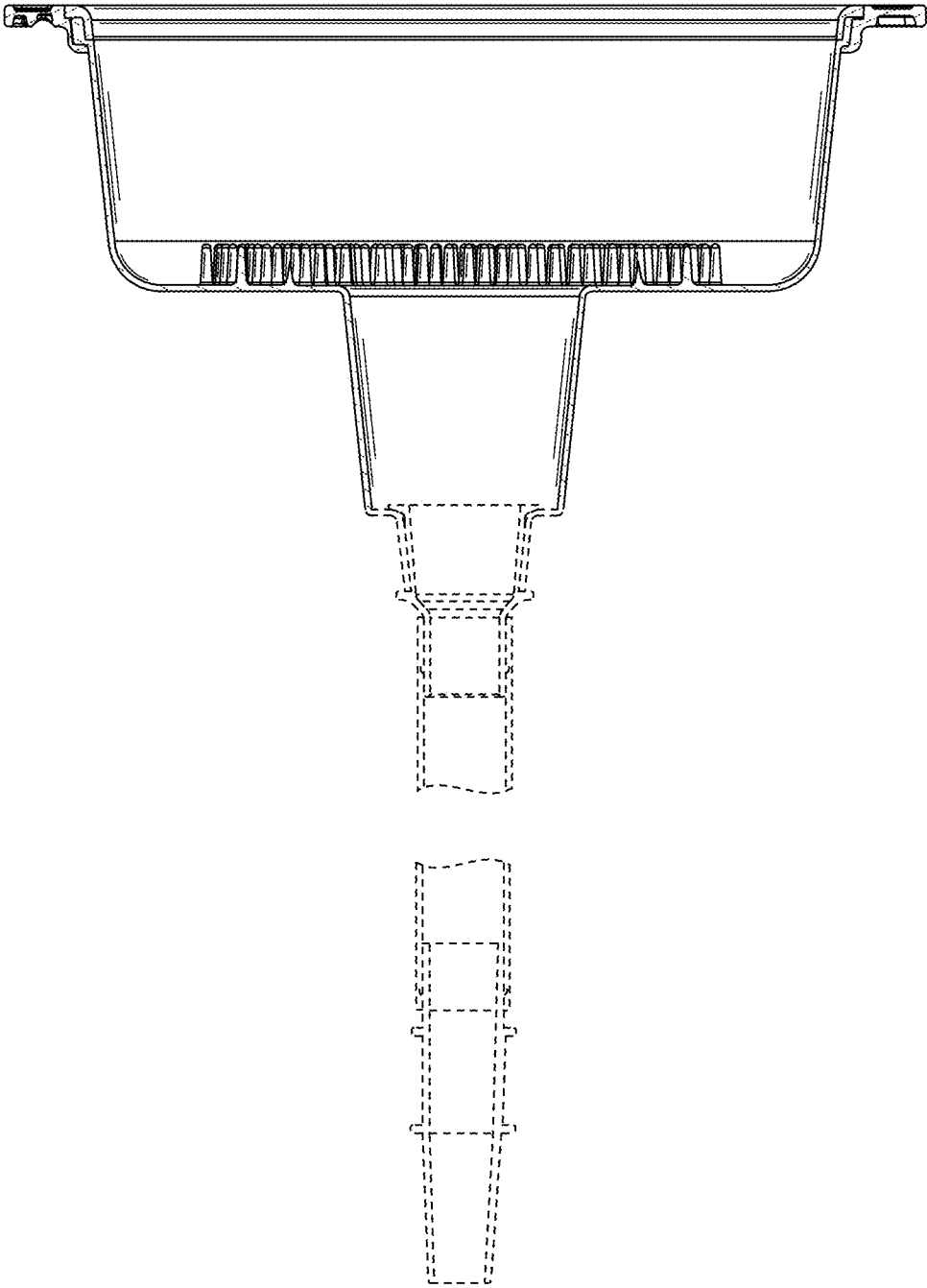


FIG. 9