

(19) World Intellectual Property Organization  
International Bureau



(43) International Publication Date  
4 September 2008 (04.09.2008)

PCT

(10) International Publication Number  
WO 2008/104871 A3

- (51) International Patent Classification:  
B65D 25/52 (2006.01) B65D 5/76 (2006.01)  
B65D 25/54 (2006.01)
- (21) International Application Number:  
PCT/IB2008/000500
- (22) International Filing Date:  
18 February 2008 (18.02.2008)
- (25) Filing Language: English
- (26) Publication Language: English
- (30) Priority Data:  
11/680,828 1 March 2007 (01.03.2007) US
- (71) Applicant (for all designated States except US): ATLANTIC INDUSTRIES; PO Box 309 GT, Uglund House, South Church Street, George Town, Grand Cayman (KY).
- (72) Inventors; and
- (75) Inventors/Applicants (for US only): ALTUN, Umit

- [TR/TR]; Narin Sitesi No:25, Daire:16 3435, Etiler, Istanbul (TR). ERGENE, Emre [TR/TR]; Muhurdar Karakol SK.41/3, 34710 Moda, Kodikoy, Istanbul (TR).
- (74) Agent: INTES, Didier; Cabinet Beau De Lomenie, 158, Rue de l'université, F-75340 Paris Cedex 07 (FR).
- (81) Designated States (unless otherwise indicated, for every kind of national protection available): AE, AG, AL, AM, AO, AT, AU, AZ, BA, BB, BG, BH, BR, BW, BY, BZ, CA, CH, CN, CO, CR, CU, CZ, DE, DK, DM, DO, DZ, EC, EE, EG, ES, FI, GB, GD, GE, GH, GM, GT, HN, HR, HU, ID, IL, IN, IS, JP, KE, KG, KM, KN, KP, KR, KZ, LA, LC, LK, LR, LS, LT, LU, LY, MA, MD, ME, MG, MK, MN, MW, MX, MY, MZ, NA, NG, NI, NO, NZ, OM, PG, PH, PL, PT, RO, RS, RU, SC, SD, SE, SG, SK, SL, SM, SV, SY, TJ, TM, TN, TR, TT, TZ, UA, UG, US, UZ, VC, VN, ZA, ZM, ZW.
- (84) Designated States (unless otherwise indicated, for every kind of regional protection available): ARIPO (BW, GH, GM, KE, LS, MW, MZ, NA, SD, SL, SZ, TZ, UG, ZM, ZW), Eurasian (AM, AZ, BY, KG, KZ, MD, RU, TJ, TM),

[Continued on next page]

(54) Title: BULK DISPENSING SYSTEM

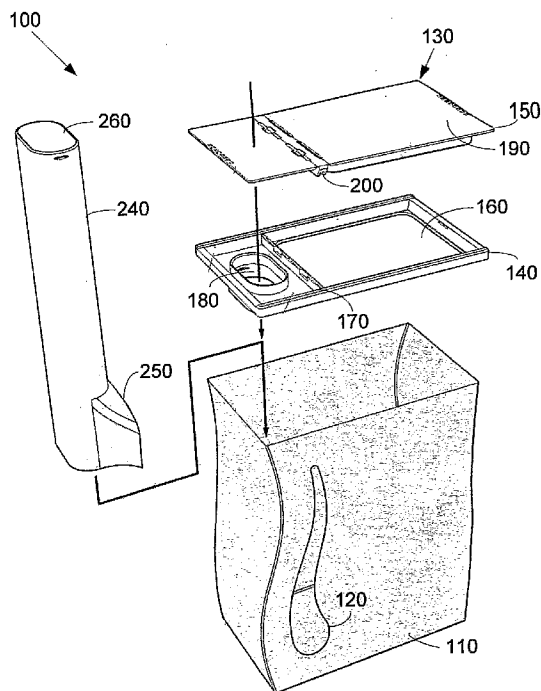


FIG. 2

(57) Abstract: A bulk dispenser to dispense a predetermined amount of a flowable material. The bulk dispenser may include a carton (110) enclosed by a top assembly (140). An internal chimney (240) extends into the carton and connects to the top assembly. The chimney is sized and positioned to dispense the predetermined amount of the flowable material.

WO 2008/104871 A3



European (AT, BE, BG, CH, CY, CZ, DE, DK, EE, ES, FI, FR, GB, GR, HR, HU, IE, IS, IT, LT, LU, LV, MC, MT, NL, NO, PL, PT, RO, SE, SI, SK, TR), OAPI (BF, BJ, CF, CG, CI, CM, GA, GN, GQ, GW, ML, MR, NE, SN, TD, TG).

**Published:**

- *with international search report*
- *before the expiration of the time limit for amending the claims and to be republished in the event of receipt of amendments*

**Declarations under Rule 4.17:**

- *as to applicant's entitlement to apply for and be granted a patent (Rule 4.17(ii))*
- *as to the applicant's entitlement to claim the priority of the earlier application (Rule 4.17(iii))*

**(88) Date of publication of the international search report:**

6 November 2008

## INTERNATIONAL SEARCH REPORT

International application No

PCT/IB2008/000500

<b>A. CLASSIFICATION OF SUBJECT MATTER</b> INV. B65D25/52 B65D25/54 B65D5/76		
According to International Patent Classification (IPC) or to both national classification and IPC		
<b>B. FIELDS SEARCHED</b>		
Minimum documentation searched (classification system followed by classification symbols) B65D		
Documentation searched other than minimum documentation to the extent that such documents are included in the fields searched		
Electronic data base consulted during the international search (name of data base and, where practical, search terms used) EPO-Internal		
<b>C. DOCUMENTS CONSIDERED TO BE RELEVANT</b>		
Category*	Citation of document, with indication, where appropriate, of the relevant passages	Relevant to claim No.
X	WO 2006/005127 A (LEE ADAM EDWARD [AU]) 19 January 2006 (2006-01-19)	1,3-14
Y	column 4, line 2 - column 5, last line ; figures 1-7	2
X	US 2 799 436 A (ROBERT BERNHARDT) 16 July 1957 (1957-07-16)	1,8-14
X	BE 562 012 A (BLAVIER) 20 May 1960 (1960-05-20)	1,8-14
Y	EP 0 990 408 A (DART IND INC [US]) 5 April 2000 (2000-04-05)	2
	column 5, paragraph 20; figure 1	
<input type="checkbox"/> Further documents are listed in the continuation of Box C. <input checked="" type="checkbox"/> See patent family annex.		
* Special categories of cited documents : *A* document defining the general state of the art which is not considered to be of particular relevance *E* earlier document but published on or after the international filing date *L* document which may throw doubts on priority claim(s) or which is cited to establish the publication date of another citation or other special reason (as specified) *O* document referring to an oral disclosure, use, exhibition or other means *P* document published prior to the international filing date but later than the priority date claimed *T* later document published after the international filing date or priority date and not in conflict with the application but cited to understand the principle or theory underlying the invention *X* document of particular relevance: the claimed invention cannot be considered novel or cannot be considered to involve an inventive step when the document is taken alone *Y* document of particular relevance: the claimed invention cannot be considered to involve an inventive step when the document is combined with one or more other such documents, such combination being obvious to a person skilled in the art. *&* document member of the same patent family		
Date of the actual completion of the international search  20 August 2008		Date of mailing of the international search report  29/08/2008
Name and mailing address of the ISA/ European Patent Office, P.B. 5818 Patentlaan 2 NL - 2280 HV Rijswijk Tel. (+31-70) 340-2040, Tx. 31 651 epo nl, Fax: (+31-70) 340-3016		Authorized officer  Derrien, Yannick

# INTERNATIONAL SEARCH REPORT

Information on patent family members

International application No

PCT/IB2008/000500

Patent document cited in search report	Publication date	Patent family member(s)	Publication date
WO 2006005127	A	19-01-2006	NONE
US 2799436	A	16-07-1957	NONE
BE 562012	A		NONE
EP 0990408	A	05-04-2000	AT 250381 T 15-10-2003 AU 740978 B2 15-11-2001 AU 3919799 A 02-03-2000 BR 9903383 A 12-09-2000 CA 2278885 A1 07-02-2000 CN 1254667 A 31-05-2000 DE 69911533 D1 30-10-2003 DE 69911533 T2 29-04-2004 HR 990247 A2 30-06-2000 HU 9902488 A2 28-09-2000 ID 23468 A 27-04-2000 IL 130930 A 10-02-2002 IS 5119 A 08-02-2000 JP 2000062792 A 29-02-2000 KR 20000017131 A 25-03-2000 NO 993787 A 08-02-2000 PL 334674 A1 14-02-2000 TW 464632 B 21-11-2001 US 6279788 B1 28-08-2001 ZA 9904821 A 01-02-2000