



(12) **United States Design Patent** (10) **Patent No.:** **US D769,608 S**  
**Wiens** (45) **Date of Patent:** **\*\* Oct. 25, 2016**

(54) **FOOTWEAR CLOSURE**  
 (71) Applicant: **Zubits, LLC**, Danville, CA (US)  
 (72) Inventor: **Ryan Wiens**, Danville, CA (US)  
 (73) Assignee: **Zubits, LLC**, Kent, WA (US)  
 (\*\*) Term: **14 Years**  
 (21) Appl. No.: **29/511,692**

(22) Filed: **Dec. 12, 2014**  
 (51) **LOC (10) Cl.** ..... **02-99**  
 (52) **U.S. Cl.**  
 USPC ..... **D2/978**  
 (58) **Field of Classification Search**  
 USPC ..... D2/896, 946, 969, 973, 976, 978  
 CPC .... A43B 3/0078; A43B 23/00; A43B 23/24;  
 A45F 5/02; A43C 1/00; A43C 1/02; A43C  
 1/04; A43C 7/00; A43C 7/005; A43C 7/04;  
 A43C 7/06; A43C 11/00; A43C 11/08;  
 A43C 11/12; A43C 11/20; A43C 11/24  
 See application file for complete search history.

(56) **References Cited**  
**U.S. PATENT DOCUMENTS**  
 1,314,805 A \* 9/1919 Hinckley ..... A43C 7/00  
 24/712.2  
 D210,649 S \* 4/1968 Getgey ..... D2/978  
 (Continued)

**FOREIGN PATENT DOCUMENTS**  
 CN 201854765 U 6/2011  
 DE 102011012159 A1 11/2011  
 (Continued)

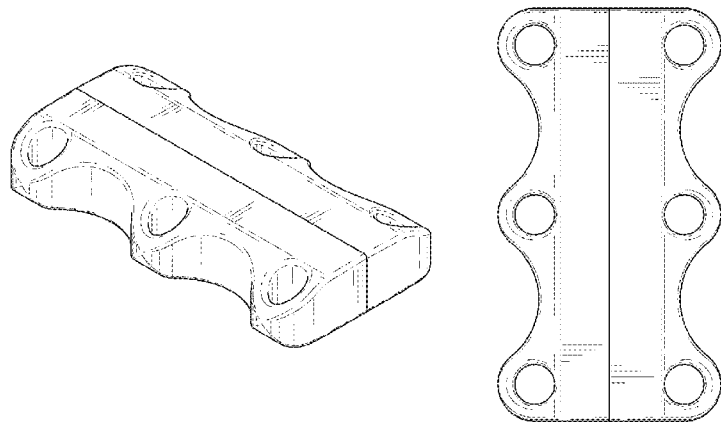
**OTHER PUBLICATIONS**  
 English-language abstract of Japanese Patent Application Publica-  
 tion No. JP H10225306 A, European Patent Office, Aug. 25, 1998.  
 (Continued)

*Primary Examiner* — Elizabeth J Oswecki  
 (74) *Attorney, Agent, or Firm* — DASCENZO Intellectual  
 Property Law, P.C.

(57) **CLAIM**  
 The ornamental design for a footwear closure, as shown and  
 described.

**DESCRIPTION**  
 FIG. 1 is an isometric view of a footwear closure showing  
 my new design;  
 FIG. 2 is a top plan view of the footwear closure of FIG. 1;  
 FIG. 3 is a bottom plan view of the footwear closure of FIG.  
 1;  
 FIG. 4 is a side elevation view of the footwear closure of  
 FIG. 1;  
 FIG. 5 is an opposite side elevation view of the footwear  
 closure of FIG. 1;  
 FIG. 6 is a front elevation view of the footwear closure of  
 FIG. 1;  
 FIG. 7 is a rear elevation view of the footwear closure of  
 FIG. 1;  
 FIG. 8 is an isometric view of a pair of the footwear closures  
 of FIG. 1 joined as a set to form a footwear closure  
 assembly;  
 FIG. 9 is a top plan view of the pair of footwear closures of  
 FIG. 8;  
 FIG. 10 is a bottom plan view of the pair of footwear  
 closures of FIG. 8;  
 FIG. 11 is a side elevation view of the pair of footwear  
 closures of FIG. 8;  
 FIG. 12 is an opposite side elevation view of the pair of  
 footwear closures of FIG. 8;  
 FIG. 13 is a front elevation view of the pair of footwear  
 closures of FIG. 8;  
 FIG. 14 is a rear elevation view of the pair of footwear  
 closures of FIG. 8; and,  
 FIG. 15 is a perspective view of the pair of footwear closures  
 of FIG. 8, shown in a used condition to secure the laces of  
 an article of footwear, which is shown in dashed lines and  
 forms no part of the claimed design.

**1 Claim, 5 Drawing Sheets**



(56)

References Cited

U.S. PATENT DOCUMENTS

4,414,761 A 11/1983 Mahood  
 4,879,787 A \* 11/1989 Walls ..... A43B 3/0078  
 24/306  
 4,949,437 A \* 8/1990 Anderson ..... A43C 7/02  
 24/712.2  
 4,967,454 A 11/1990 Elieff  
 5,353,483 A 10/1994 Louviere  
 5,537,763 A 7/1996 Donnadieu et al.  
 6,532,687 B2 3/2003 Towns et al.  
 6,568,104 B2 5/2003 Liu  
 6,571,437 B2 6/2003 Liu  
 6,647,597 B2 11/2003 Reiter  
 6,671,980 B1 1/2004 Liu  
 D493,029 S \* 7/2004 Jacobs ..... D2/978  
 6,880,270 B2 4/2005 Prather  
 6,892,428 B2 5/2005 Reiter  
 7,152,286 B2 12/2006 Rooney et al.  
 D547,532 S \* 7/2007 White, Sr. .... D2/946  
 7,640,640 B1 \* 1/2010 Watkins ..... A43C 7/02  
 24/712.3  
 7,650,706 B2 \* 1/2010 Wartel ..... A43B 1/0081  
 24/712.3  
 D624,299 S \* 9/2010 Lindow ..... D2/978  
 D626,322 S \* 11/2010 Servettaz ..... D2/978  
 D630,419 S \* 1/2011 Torrance ..... D2/946  
 7,895,774 B2 3/2011 Pawsey  
 7,975,403 B2 7/2011 Mosher  
 D664,348 S \* 7/2012 Armstrong ..... D2/946  
 8,245,418 B2 8/2012 Paintin et al.  
 8,590,121 B1 11/2013 Patt, Jr. et al.

8,677,578 B2 \* 3/2014 Singh ..... A43C 7/005  
 24/712.2  
 8,739,373 B1 \* 6/2014 Berman ..... A43C 7/04  
 24/712.6  
 D738,098 S \* 9/2015 Sakochi ..... D2/978  
 D747,866 S \* 1/2016 Armstrong ..... D2/978  
 D751,804 S \* 3/2016 Van Assche ..... D2/978  
 2004/0006856 A1 \* 1/2004 Moreno ..... A43C 7/02  
 24/712.3  
 2006/0190041 A1 8/2006 Fallin et al.  
 2006/0288557 A1 12/2006 Crumrine et al.  
 2008/0271299 A1 11/2008 Kilbarger  
 2009/0172929 A1 7/2009 Hwang  
 2010/0018018 A1 \* 1/2010 Tong ..... A43B 1/0054  
 24/712.3  
 2010/0218349 A1 9/2010 Whang  
 2013/0199006 A1 8/2013 Harris et al.  
 2014/0137432 A1 5/2014 Eldem

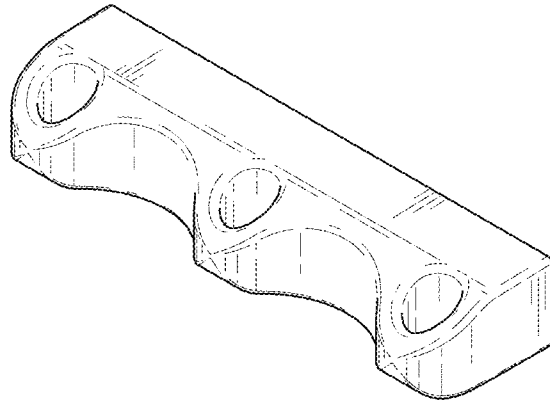
FOREIGN PATENT DOCUMENTS

JP H10225306 A 8/1998  
 WO WO 2005/082191 9/2005

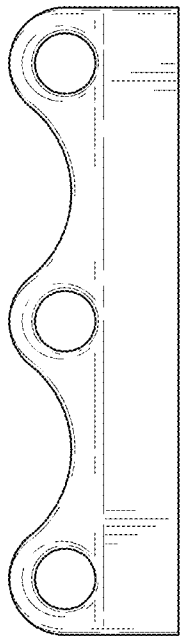
OTHER PUBLICATIONS

English-language abstract of Chinese Patent Application Publication No. CN 201854765 U, European Patent Office, Jun. 8, 2011.  
 English-language abstract of German Patent Application Publication No. DE 102011012159 A1, European Patent Office, Nov. 17, 2011.

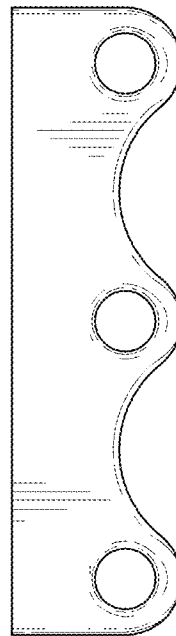
\* cited by examiner



*Fig. 1*



*Fig. 2*



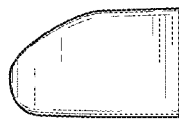
*Fig. 3*



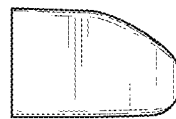
*Fig. 4*



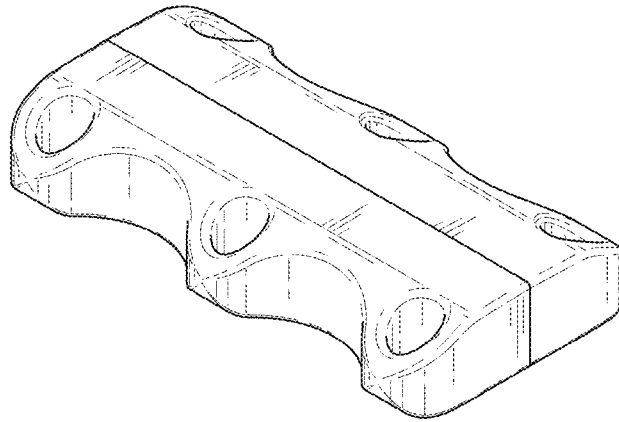
*Fig. 5*



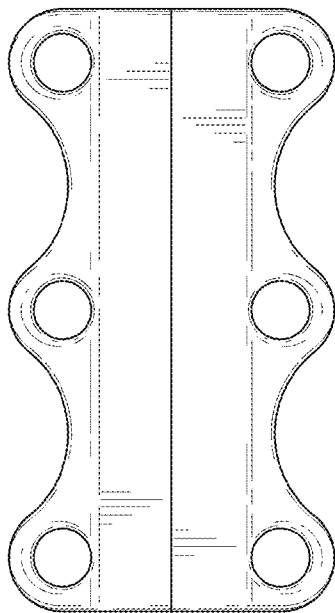
*Fig. 6*



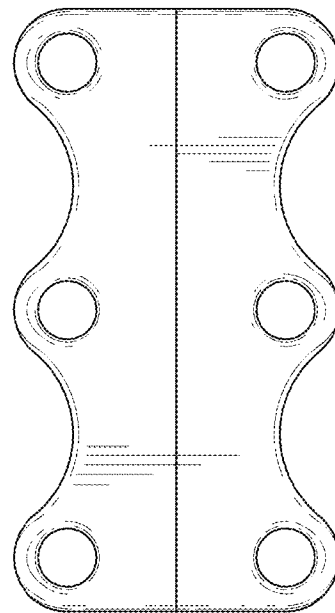
*Fig. 7*



*Fig. 8*



*Fig. 9*



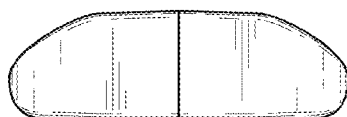
*Fig. 10*



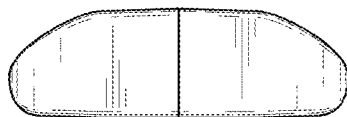
*Fig. 11*



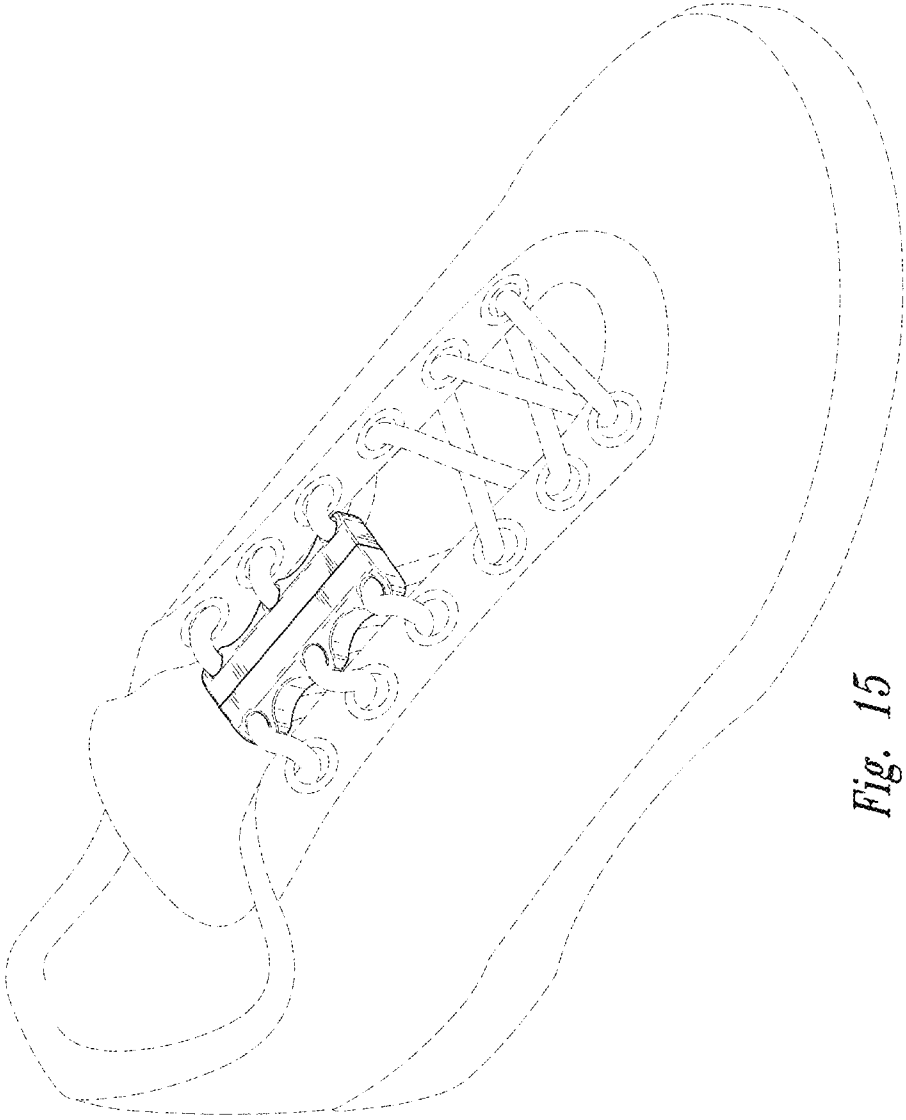
*Fig. 12*



*Fig. 13*



*Fig. 14*



*Fig. 15*