

(12) **United States Design Patent** (10) **Patent No.:** **US D835,210 S**
Eshet (45) **Date of Patent:** **** Dec. 4, 2018**

(54) **CUSTOMIZABLE CHILDREN TOY-SET**

(71) Applicant: **Assaf Eshet**, Tel Aviv (IL)
 (72) Inventor: **Assaf Eshet**, Tel Aviv (IL)
 (73) Assignee: **TOYISH LABS INC.**, Brooklyn, NY (US)
 (**) Term: **14 Years**
 (21) Appl. No.: **29/518,556**
 (22) Filed: **Feb. 25, 2015**
 (51) **LOC (11) Cl.** **21-01**
 (52) **U.S. Cl.**
 USPC **D21/484**; D21/658
 (58) **Field of Classification Search**
 USPC D21/484-505, 533-560, 577, 578-583,
 D21/592-594, 621, 623, 649, 658
 (Continued)

(56) **References Cited**

U.S. PATENT DOCUMENTS

D239,646 S * 4/1976 Knudsen D21/658
 D260,414 S * 8/1981 Nakao D21/623
 (Continued)

Primary Examiner — Cynthia M. Chin
 (74) *Attorney, Agent, or Firm* — Jacob M. Ward; Ward Law Office LLC

(57) **CLAIM**

The ornamental design for a customizable children toy-set, as shown and described.

DESCRIPTION

FIG. 1 is top perspective view of a transparent coned body for a children toy-set, shown separately for clarity of illustration;

FIG. 2 is a side elevational view of the transparent coned body shown in FIG. 1, shown separately for clarity of illustration;

FIG. 3 is a top plan view of the transparent coned body shown in FIG. 1, shown separately for clarity of illustration; FIG. 4 is a top perspective view of a toy-figure that fits inside the transparent coned body shown in FIG. 1, shown separately for clarity of illustration;

FIG. 5 is a side elevational view of the toy-figure shown in FIG. 4, shown separately for clarity of illustration; FIG. 6 is a top plan view of the toy-figure shown in FIG. 4, shown separately for clarity of illustration;

FIG. 7 is a top perspective view of a play-book containing tear-off coloring arch shaped paper, for use in the transparent coned body shown in FIG. 1, shown separately for clarity of illustration;

FIG. 8 is a top plan view of the tear-off coloring arched shaped paper from the play-book shown in FIG. 7, illustrated without cut-out window, shown separately for clarity of illustration;

FIG. 9 is a top plan view of the tear-off coloring arched shaped paper from the playbook shown in FIG. 7, illustrated with three circular cut-out windows, shown separately for clarity of illustration;

FIG. 10 is a top plan view of the tear-off coloring arched shaped paper from the playbook shown in FIG. 7, illustrated with a single cut-out window of one shape, shown separately for clarity of illustration;

FIG. 11 is a top plan view of the tear-off coloring arched shaped paper from the playbook shown in FIG. 7, illustrated with a single cut-out window of another shape, shown separately for clarity of illustration;

FIG. 12 is a top perspective view of an exemplary assembled toy from the children toy-set shown in FIGS. 1-6, illustrated in the shape of a sport car;

FIG. 13 is a top plan view of the assembled toy shown in FIG. 12;

FIG. 14 is a front elevational view of the assembled toy shown in FIG. 12;

FIG. 15 is a side elevational view of the assembled toy shown in FIG. 12;

FIG. 16 is a top perspective view of an exemplary assembled toy from the children toy-set shown in FIGS. 1-6, illustrated in the shape of a flamenco dancer;

(Continued)

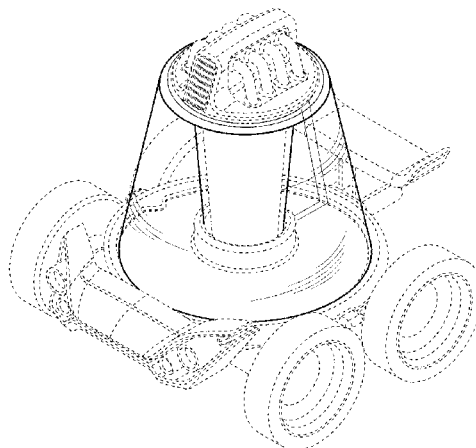
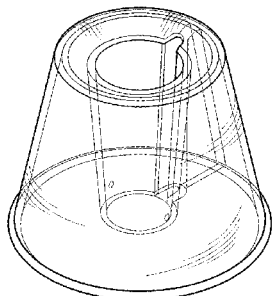


FIG. 17 is a top plan view of the assembled toy shown in FIG. 16;

FIG. 18 is a front elevational view of the assembled toy shown in FIG. 16; and,

FIG. 19 is a side elevational view of the assembled toy shown in FIG. 16.

The broken lines shown in the drawings represent the environment in which the article resides and form no part of the claimed design.

1 Claim, 7 Drawing Sheets

(58) **Field of Classification Search**

CPC . A63H 3/16; A63H 3/36; A63H 3/365; A63H 3/50; A63H 17/002

See application file for complete search history.

(56)

References Cited

U.S. PATENT DOCUMENTS

D284,091	S *	6/1986	Arnau (Pibet)	D21/577
D325,605	S *	4/1992	Holmstrom	D21/623
D332,117	S *	12/1992	Holmstrom	D21/623
8,439,757	B2 *	5/2013	Hornsby	A63H 11/00 446/175
2001/0046830	A1 *	11/2001	Bellavia	A63H 3/365 446/369
2012/0276804	A1 *	11/2012	McKenna	A63H 3/16 446/100
2015/0196847	A1 *	7/2015	Diaz	A63H 3/16 446/97
2015/0224418	A1 *	8/2015	Musliner	A63H 18/02 446/118

* cited by examiner

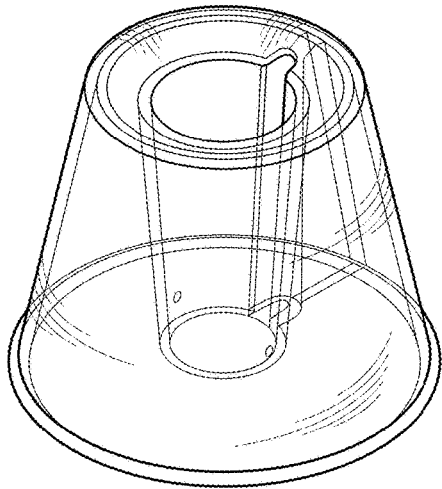


FIG. 1

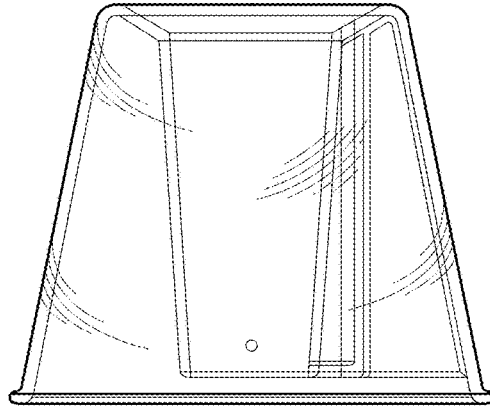


FIG. 2

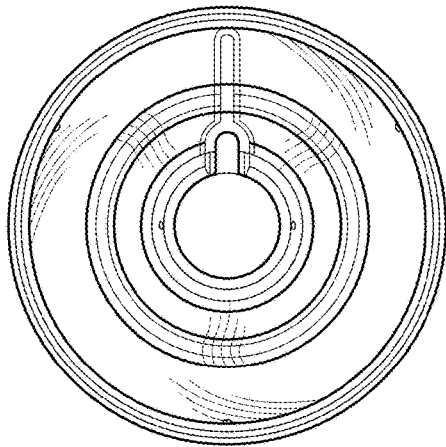


FIG. 3

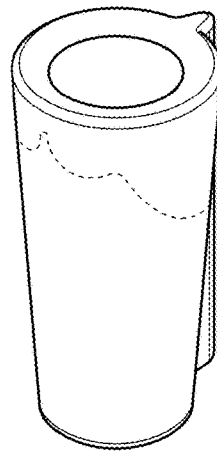


FIG. 4

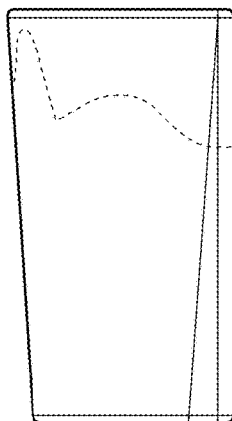


FIG. 5



FIG. 6

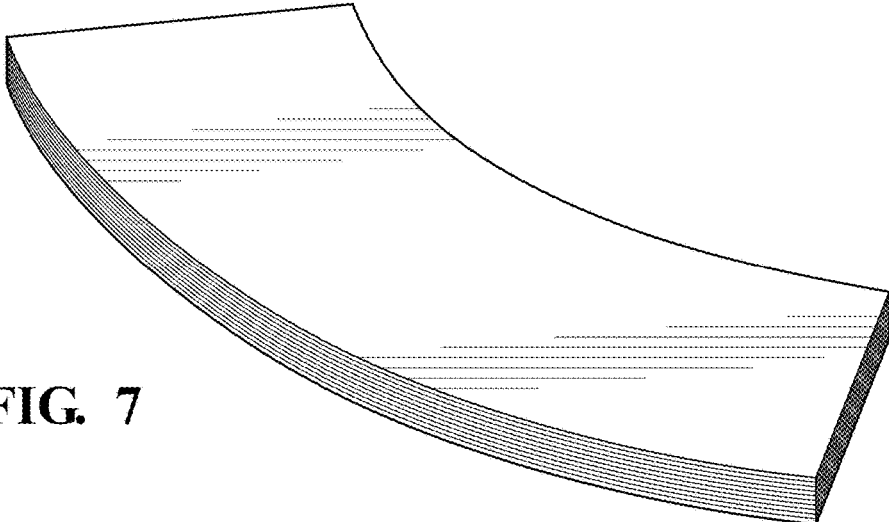


FIG. 7

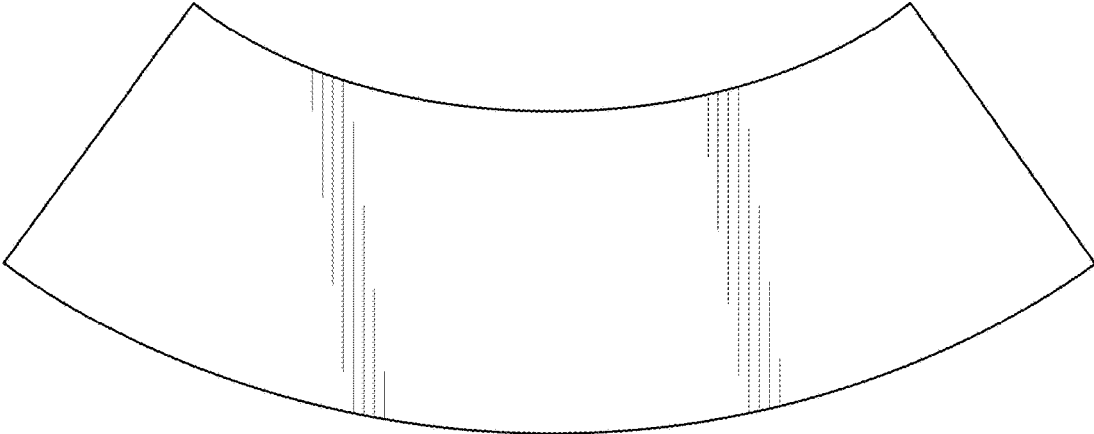


FIG. 8

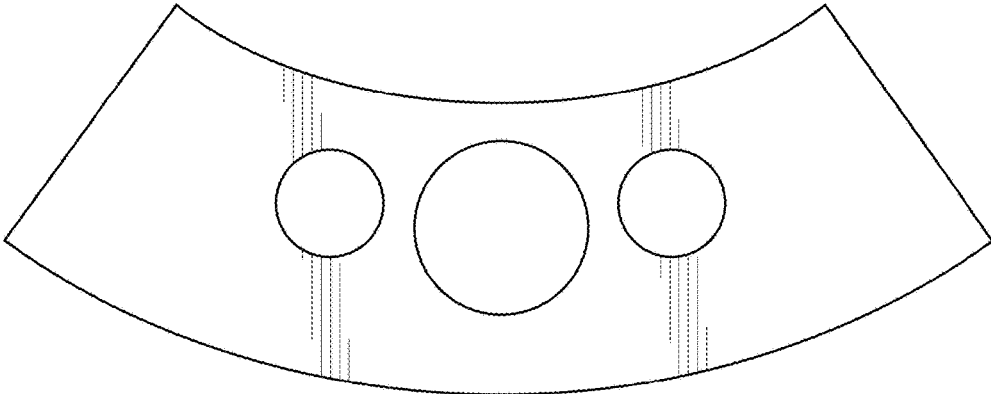


FIG. 9

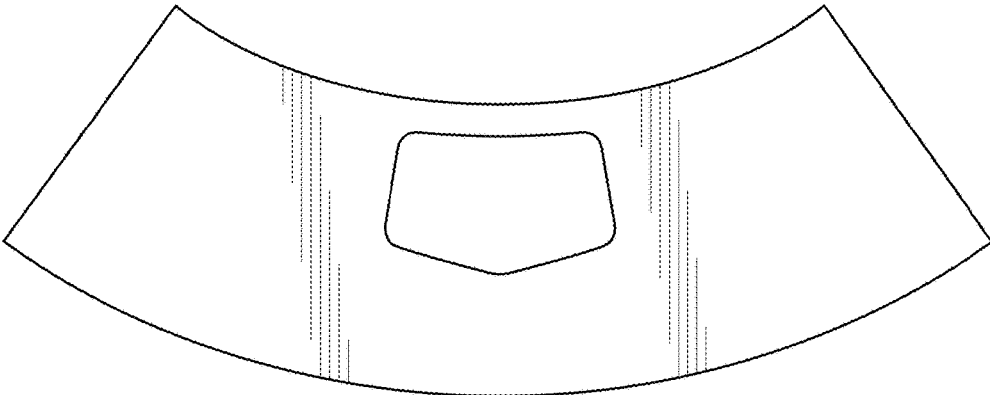


FIG. 10

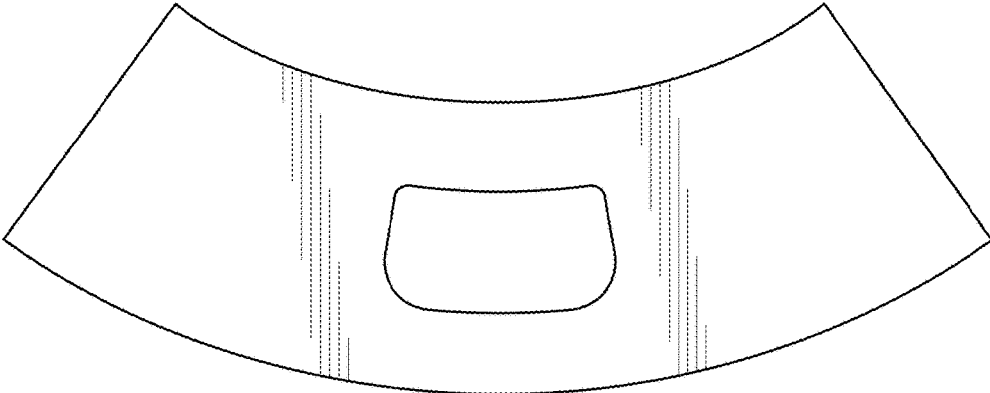


FIG. 11

FIG. 12

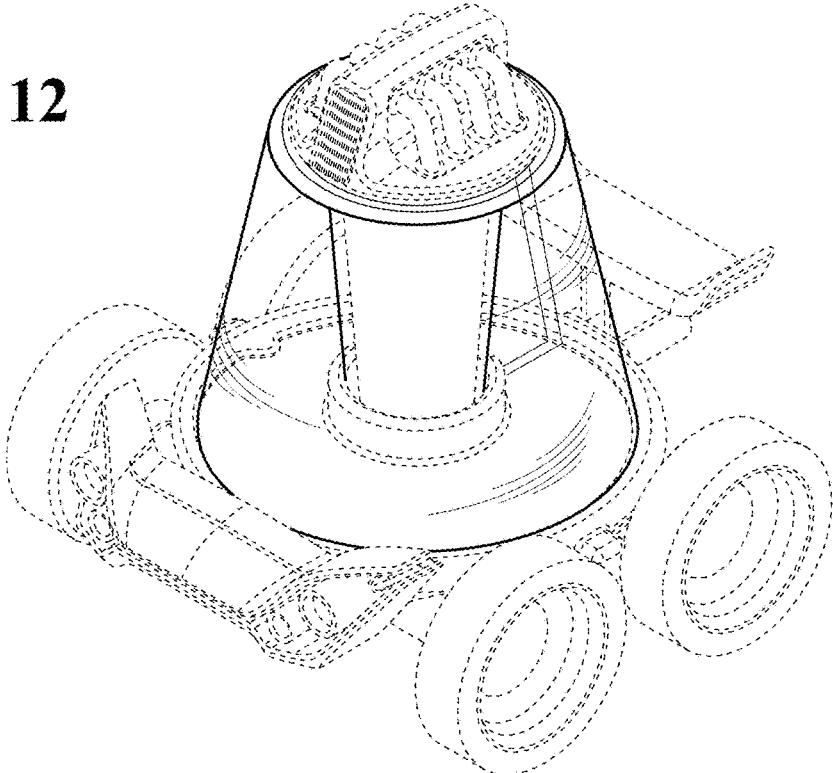


FIG. 13

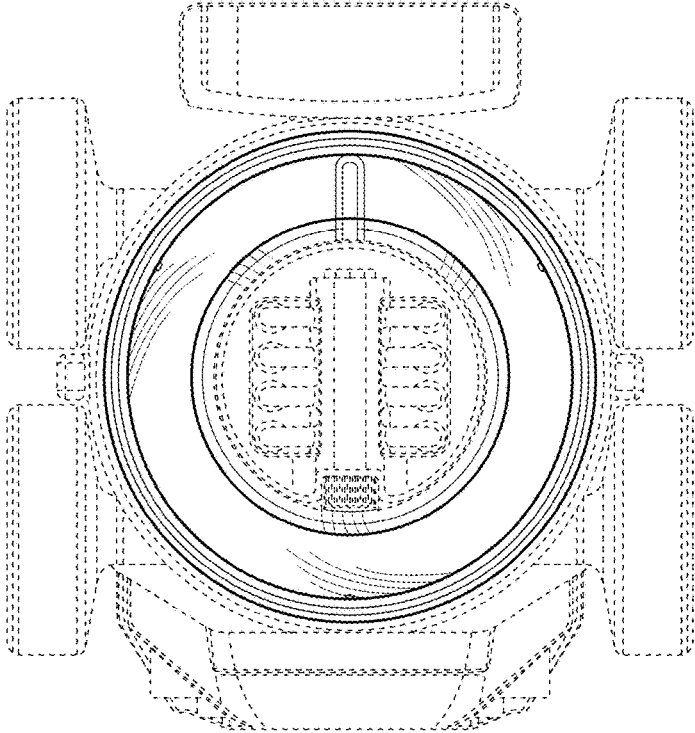


FIG. 14

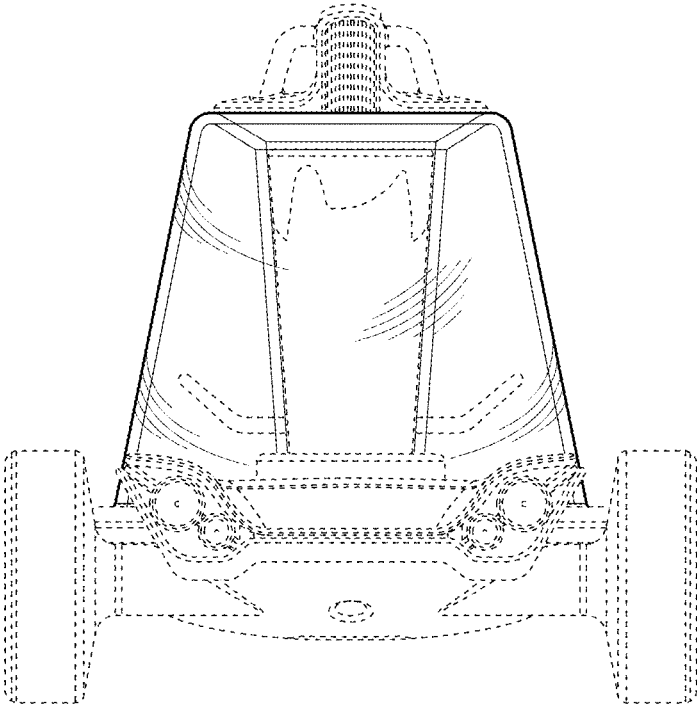


FIG. 15

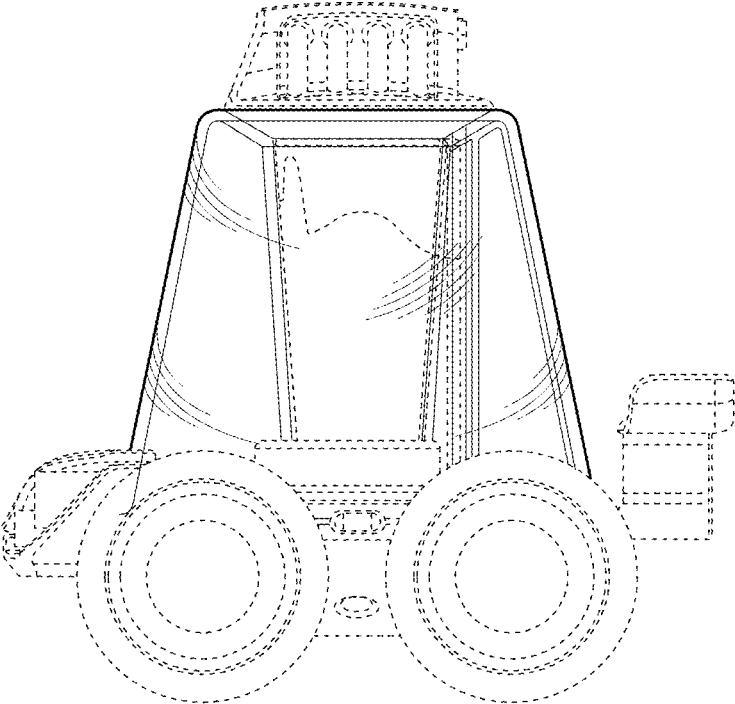


FIG. 16

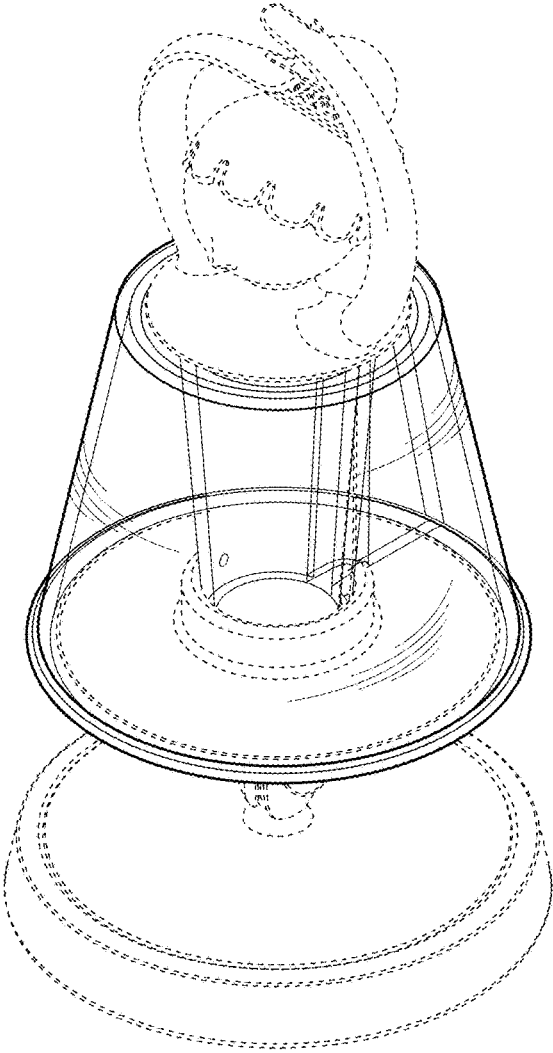
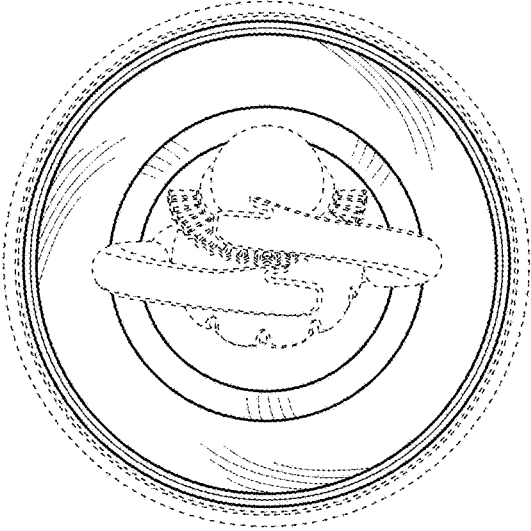


FIG. 17



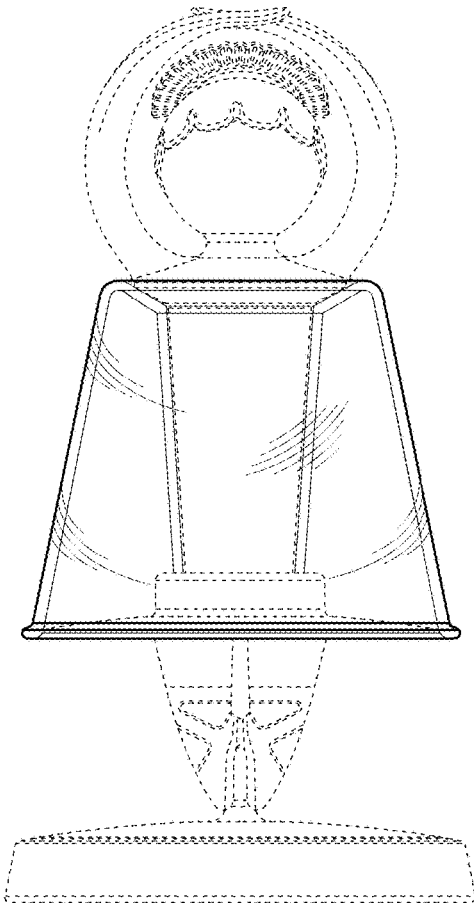


FIG. 18

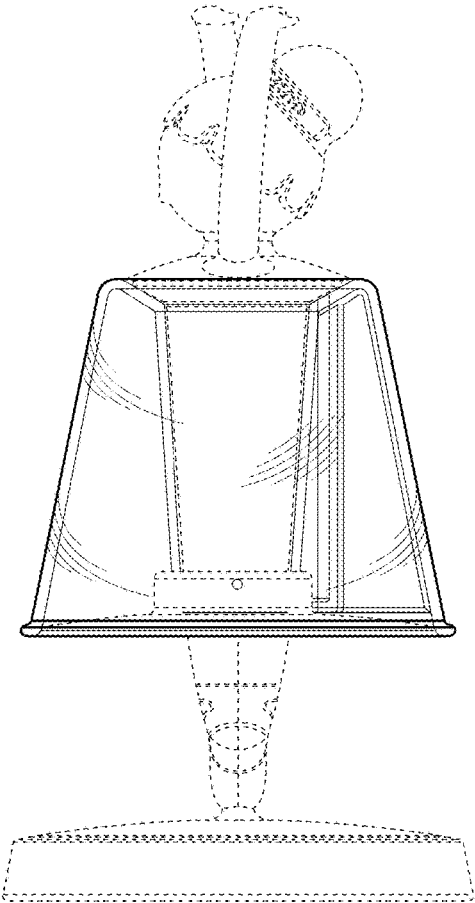


FIG. 19