

(19) World Intellectual Property Organization
International Bureau



(43) International Publication Date
2 September 2010 (02.09.2010)

PCT

(10) International Publication Number
WO 2010/099247 A3

- (51) **International Patent Classification:**
A61F 2/32 (2006.01)
- (21) **International Application Number:**
PCT/US2010/025292
- (22) **International Filing Date:**
25 February 2010 (25.02.2010)
- (25) **Filing Language:** English
- (26) **Publication Language:** English
- (30) **Priority Data:**
61/155,060 24 February 2009 (24.02.2009) US
- (71) **Applicant (for all designated States except US):** SMITH & NEPHEW, INC. [US/US]; Diana Houston, 1450 Brooks Road, Memphis, TN 38116 (US).
- (72) **Inventors; and**
- (75) **Inventors/Applicants (for US only):** FREDERICK, Phillip [US/US]; 1102 River Isle, Memphis, TN 38103 (US). BELEW, Kevin [US/US]; 1425 Big Ben North Drive, Hernando, MS 38642 (US). JASPER, Lauren [US/US]; 4389 Birmingham Lane, Apt. 102, Memphis, TN 38125 (US). GATEWOOD, James [US/US]; 4025 Paula Dr., Memphis, TN 38116 (US). GIBSON, Luke [US/US]; 4744 W.E. Ross Parkway 44-204, Southaven, MS 38671 (US).
- (74) **Agent:** HOUSTON, Diana; Smith & Nephew, Inc., 1450 Brooks Road, Memphis, TN 38116 (US).

(81) **Designated States (unless otherwise indicated, for every kind of national protection available):** AE, AG, AL, AM, AO, AT, AU, AZ, BA, BB, BG, BH, BR, BW, BY, BZ, CA, CH, CL, CN, CO, CR, CU, CZ, DE, DK, DM, DO, DZ, EC, EE, EG, ES, FI, GB, GD, GE, GH, GM, GT, HN, HR, HU, ID, IL, IN, IS, JP, KE, KG, KM, KN, KP, KR, KZ, LA, LC, LK, LR, LS, LT, LU, LY, MA, MD, ME, MG, MK, MN, MW, MX, MY, MZ, NA, NG, NI, NO, NZ, OM, PE, PG, PH, PL, PT, RO, RS, RU, SC, SD, SE, SG, SK, SL, SM, ST, SV, SY, TH, TJ, TM, TN, TR, TT, TZ, UA, UG, US, UZ, VC, VN, ZA, ZM, ZW.

(84) **Designated States (unless otherwise indicated, for every kind of regional protection available):** ARIPO (BW, GH, GM, KE, LS, MW, MZ, NA, SD, SL, SZ, TZ, UG, ZM, ZW), Eurasian (AM, AZ, BY, KG, KZ, MD, RU, TJ, TM), European (AT, BE, BG, CH, CY, CZ, DE, DK, EE, ES, FI, FR, GB, GR, HR, HU, IE, IS, IT, LT, LU, LV, MC, MK, MT, NL, NO, PL, PT, RO, SE, SI, SK, SM, TR), OAPI (BF, BJ, CF, CG, CI, CM, GA, GN, GQ, GW, ML, MR, NE, SN, TD, TG).

Published:

- with international search report (Art. 21(3))
- before the expiration of the time limit for amending the claims and to be republished in the event of receipt of amendments (Rule 48.2(h))

[Continued on next page]

(54) **Title:** METHODS AND APPARATUS FOR FAI SURGERIES

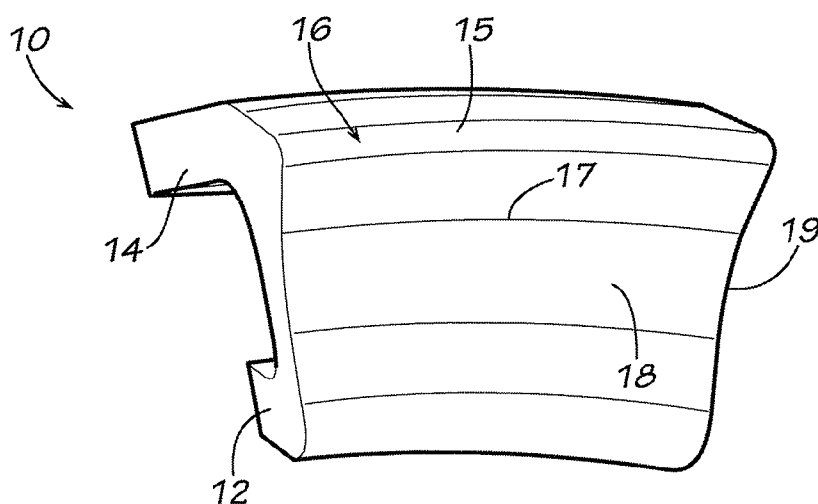


FIG. 1

(57) **Abstract:** A partial rim implant for an acetabulum in a pelvic bone comprises a ridge, a bearing surface, and a fixation surface. The ridge is oriented to replace a labrum. The bearing surface is configured to align with the articulating surface of the acetabulum. The bearing surface extends from the ridge toward the apex of the acetabulum. The fixation surface is configured to fix the implant to a prepared bone surface of the pelvic bone.



WO 2010/099247 A3



— *the filing date of the international application is within two months from the date of expiration of the priority period (Rule 26bis.3)*

(88) Date of publication of the international search report:
24 February 2011

INTERNATIONAL SEARCH REPORT

International application No.
PCT/US2010/025292**A. CLASSIFICATION OF SUBJECT MATTER****A61F 2/32(2006.01)i**

According to International Patent Classification (IPC) or to both national classification and IPC

B. FIELDS SEARCHED

Minimum documentation searched (classification system followed by classification symbols)

A61F 2/32; A61F 2/34; A61B 17/56

Documentation searched other than minimum documentation to the extent that such documents are included in the fields searched

Korean utility models and applications for utility models

Japanese utility models and applications for utility models

Electronic data base consulted during the international search (name of data base and, where practicable, search terms used)

eKOMPASS(KIPO internal) & Keywords: spinal, vertebra, implant, torque, etc.

C. DOCUMENTS CONSIDERED TO BE RELEVANT

Category*	Citation of document, with indication, where appropriate, of the relevant passages	Relevant to claim No.
X	US 6383224 B1 (GIE; GRAHAM ALLAN et al.) 07 May 2002 See abstract; Figs.1-5; col.2, lines 17-56; and claims.	1-3, 7-10
A	US 6120546 A1 (DYE; DONALD et al.) 19 September 2000 See abstract; Figs.3-5; col.2, line 58 - col.8, line 30; and claims.	1-3, 7-10
A	US 2002-0128653 A1 (GEORGE J. HAIDUKWYCH) 12 September 2002 See abstract; Figs.1-3; page 1, [0014]- page 2, [0019]; and claims.	1-3, 7-10
A	US 2003-0212459 A1 (PHILLIP, M. GIBBS) 13 November 2003 See abstract; Fig.17; page 6, [0075]- [0078]; and claims.	1-3, 7-10

 Further documents are listed in the continuation of Box C. See patent family annex.

* Special categories of cited documents:

"A" document defining the general state of the art which is not considered to be of particular relevance

"E" earlier application or patent but published on or after the international filing date

"L" document which may throw doubts on priority claim(s) or which is cited to establish the publication date of citation or other special reason (as specified)

"O" document referring to an oral disclosure, use, exhibition or other means

"P" document published prior to the international filing date but later than the priority date claimed

"T" later document published after the international filing date or priority date and not in conflict with the application but cited to understand the principle or theory underlying the invention

"X" document of particular relevance; the claimed invention cannot be considered novel or cannot be considered to involve an inventive step when the document is taken alone

"Y" document of particular relevance; the claimed invention cannot be considered to involve an inventive step when the document is combined with one or more other such documents, such combination being obvious to a person skilled in the art

"&" document member of the same patent family

Date of the actual completion of the international search

27 DECEMBER 2010 (27.12.2010)

Date of mailing of the international search report

28 DECEMBER 2010 (28.12.2010)

Name and mailing address of the ISA/KR

Korean Intellectual Property Office
Government Complex-Daejeon, 139 Seonsa-ro, Seo-
gu, Daejeon 302-701, Republic of Korea

Facsimile No. 82-42-472-7140

Authorized officer

BAE, YEO WOOL

Telephone No. 82-42-481-5568



INTERNATIONAL SEARCH REPORT

International application No.
PCT/US2010/025292

Box No. II Observations where certain claims were found unsearchable (Continuation of item 2 of first sheet)

This international search report has not been established in respect of certain claims under Article 17(2)(a) for the following reasons:

- 1. Claims Nos.:
because they relate to subject matter not required to be searched by this Authority, namely:

- 2. Claims Nos.: 5-6
because they relate to parts of the international application that do not comply with the prescribed requirements to such an extent that no meaningful international search can be carried out, specifically:

Claims 5 and 6 refer to the multiple dependent claim, claim 4, which refers to the other multiple dependent claim. Thereby, those claims are not clear and concise.

- 3. Claims Nos.: 4,11
because they are dependent claims and are not drafted in accordance with the second and third sentences of Rule 6.4(a).

Box No. III Observations where unity of invention is lacking (Continuation of item 3 of first sheet)

This International Searching Authority found multiple inventions in this international application, as follows:

- 1. As all required additional search fees were timely paid by the applicant, this international search report covers all searchable claims.

- 2. As all searchable claims could be searched without effort justifying an additional fee, this Authority did not invite payment of any additional fee.

- 3. As only some of the required additional search fees were timely paid by the applicant, this international search report covers only those claims for which fees were paid, specifically claims Nos.:

- 4. No required additional search fees were timely paid by the applicant. Consequently, this international search report is restricted to the invention first mentioned in the claims; it is covered by claims Nos.:
1-3, 7-10

- Remark on Protest**
- The additional search fees were accompanied by the applicant's protest and, where applicable, the payment of a protest fee.
 - The additional search fees were accompanied by the applicant's protest but the applicable protest fee was not paid within the time limit specified in the invitation.
 - No protest accompanied the payment of additional search fees.

INTERNATIONAL SEARCH REPORT

Information on patent family members

International application No.

PCT/US2010/025292

Patent document cited in search report	Publication date	Patent family member(s)	Publication date
US 6383224 B1	07.05.2002	AU 1999-65250 A1	22.06.2000
		AU 1999-65250 B2	31.07.2003
		CA 2292284-A1	17.06.2000
		DE 69913090 D1	08.01.2004
		DE 69913090 T2	14.10.2004
		EP 1013240 A1	28.06.2000
		EP 1013240 B1	26.11.2003
		GB 9827879 D0	10.02.1999
		JP 2000-217850 A	08.08.2000
		US 6120546 A1	19.09.2000
US 2002-0128653 A1	12.09.2002	US 6440131 B1	27.08.2002
US 2003-0212459 A1	13.11.2003	AU 2008-218993 A1	28.08.2008
		CN 101677861 A	24.03.2010
		CN 101677861 A	24.03.2010
		EP 1236450 A1	04.09.2002
		EP 1384456 A2	28.01.2004
		EP 1384456 A3	20.09.2006
		EP 1532946 A2	25.05.2005
		EP 1532946 A3	27.09.2006
		EP 1820475 A1	22.08.2007
		EP 1911419 A2	16.04.2008
		EP 2129335 A2	09.12.2009
		JP 2010-518973 A	03.06.2010
		US 2002-0120342 A1	29.08.2002
		US 2005-0021148 A1	27.01.2005
		US 2006-0241776 A1	26.10.2006
		US 2006-0241781 A1	26.10.2006
		US 2007-0129809 A1	07.06.2007
		US 2007-0173948 A1	26.07.2007
		US 2007-0250175 A1	25.10.2007
		US 2008-0147187 A1	19.06.2008
		US 6458161 B1	01.10.2002
		US 7291177 B2	06.11.2007
		US 7597715 B2	06.10.2009
US 7713306 B2	11.05.2010		
WO 2008-103457 A2	28.08.2008		
WO 2008-103457 A3	28.08.2008		
WO 2008-103457 A9	28.08.2008		
WO 2009-108788 A1	03.09.2009		