



US00D332106S

# United States Patent [19]

[11] Patent Number: **Des. 332,106**

Hengst et al.

[45] Date of Patent: **\*\* Dec. 29, 1992**

[54] **PAIR OF BINOCULARS**

[75] Inventors: **Alfred Hengst, Wetzlar-Dorlar; Heinz Keiner, Solms; H. Peter Farnung, Bad Nauheim; Heinrich Janke, Braunfels, all of Fed. Rep. of Germany**

[73] Assignee: **Leica Camera GmbH, Solms, Fed. Rep. of Germany**

[\*\*] Term: **14 Years**

[21] Appl. No.: **500,273**

[22] Filed: **Mar. 28, 1990**

[30] **Foreign Application Priority Data**

Oct. 19, 1989 [DE] Fed. Rep. of Germany ..... 8907292

[52] U.S. Cl. .... **D16/133**

[58] Field of Search ..... D16/133; 359/404, 407, 359/408, 410, 411, 413, 414, 417, 418

[56] **References Cited**

**U.S. PATENT DOCUMENTS**

D. 195,146 4/1963 Jensen ..... D16/133  
D. 242,243 11/1976 Takahashi et al. .... D16/133

D. 246,653 12/1977 Tomatsuri ..... D16/133  
D. 272,361 1/1984 Hengst et al. .... D16/133  
D. 272,362 1/1984 Hengst et al. .... D16/133  
3,484,149 12/1969 Becker et al. .... 359/414

*Primary Examiner*—A. Hugo Word  
*Assistant Examiner*—Doris V. Coles  
*Attorney, Agent, or Firm*—Foley & Lardner

[57] **CLAIM**

The ornamental design for a pair of binoculars, as shown and described.

**DESCRIPTION**

FIG. 1 is a perspective view of a pair of binoculars in their unfolded state showing our new design; FIG. 2 is a front elevational view thereof; FIG. 3 is a rear elevational view thereof showing the eyepieces extended; FIG. 4 is a top plan view thereof; FIG. 5 is a bottom plan view thereof; FIG. 6 is a side elevational view the opposite side being a mirror image thereof; FIG. 7 is a perspective view in the folded position; and, FIG. 8 is a rear elevational view in the folded position with the eyepieces extended.

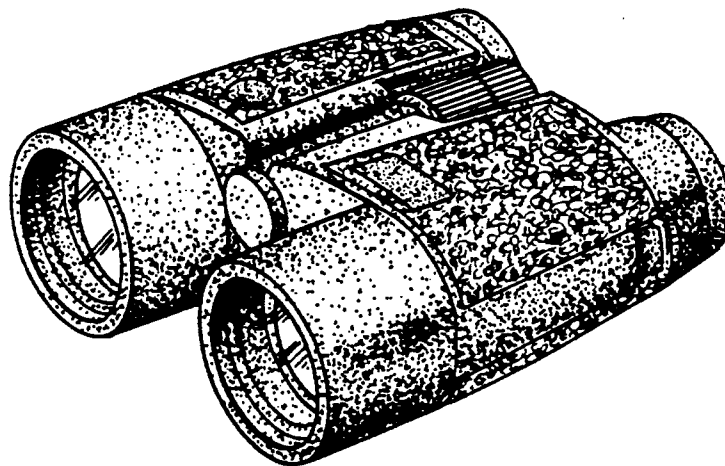


FIG. 2

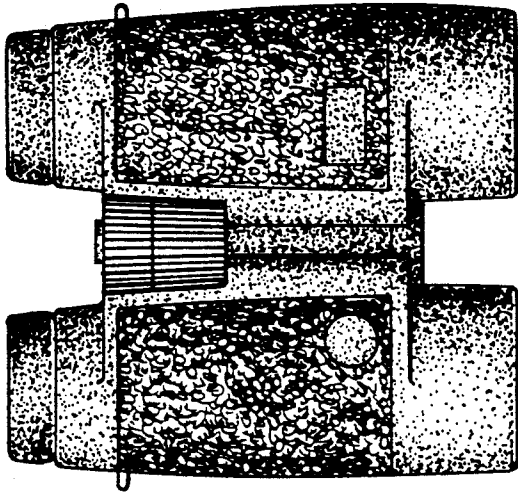


FIG. 4

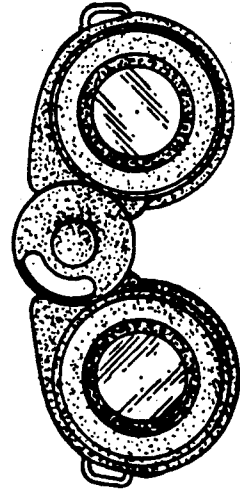


FIG. 1

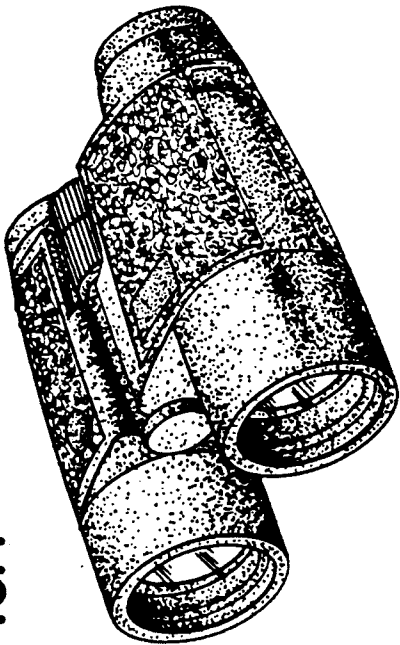


FIG. 3

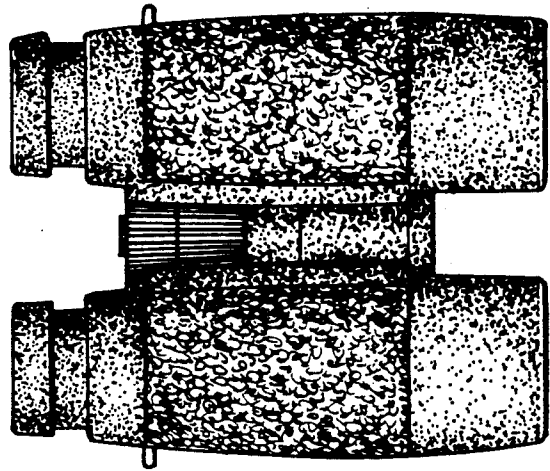


FIG. 8

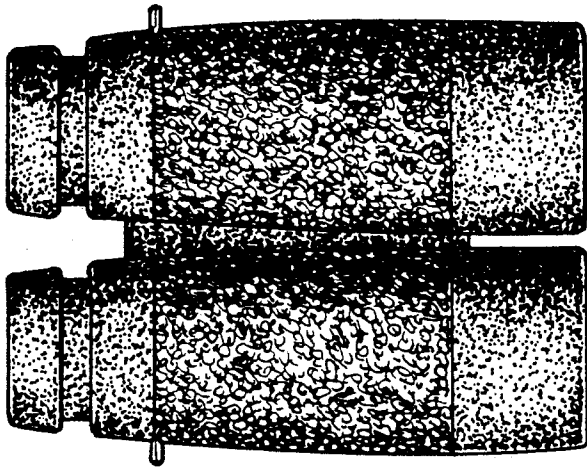


FIG. 6

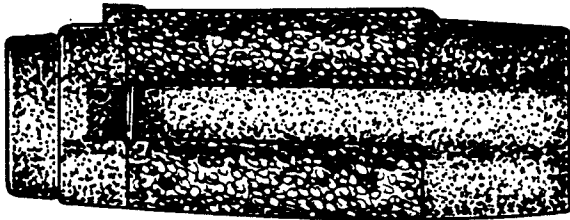


FIG. 5

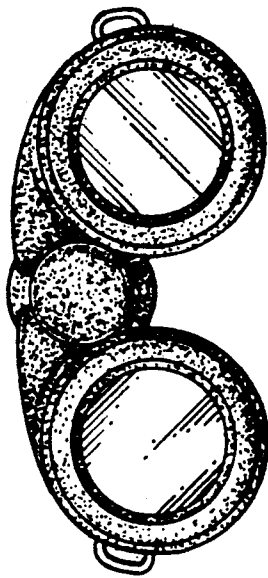


FIG. 7

