



US00D438754S

(12) **United States Design Patent**
Mendelson

(10) **Patent No.:** **US D438,754 S**

(45) **Date of Patent:** **** Mar. 13, 2001**

(54) **LID WITH A WINDOW**

(76) Inventor: **Lewis A. Mendelson**, 9830 Briar,
Overland Park, KS (US) 66207

(**) Term: **14 Years**

(21) Appl. No.: **29/109,946**

(22) Filed: **Aug. 26, 1999**

(51) **LOC (7) Cl.** **07-02**

(52) **U.S. Cl.** **D7/391**

(58) **Field of Search** D7/354-361, 391-392.1;
99/341, 447; 220/573.1, 376, 377; 126/354

(56) **References Cited**

U.S. PATENT DOCUMENTS

D. 45,601	*	4/1914	Mohrhenn	D7/354
D. 86,400	*	3/1932	Osius	D7/360
D. 269,319		6/1983	Fox	D7/360
D. 273,755		5/1984	Thurlow	D7/359
D. 274,402	*	6/1984	Ziskind	D7/391
D. 318,976		8/1991	Thurlow et al.	D7/355
D. 338,370		8/1993	Takeda	D7/356
D. 347,142	*	5/1994	Falvo	D7/391
D. 368,828		4/1996	Thurlow	D7/360

D. 370,826		6/1996	Thurlow	D7/360
D. 418,009	*	12/1999	Banc	D7/360
4,037,776		7/1977	Meyers et al.	229/43
4,053,295		10/1977	Miyauchi	65/62
4,403,711		9/1983	Kyosuke	220/731
4,522,311		6/1985	Yoshio	220/254
5,365,833	*	11/1994	Chen	99/447
5,511,466	*	4/1996	Dzibinski	99/339

* cited by examiner

Primary Examiner—Caron D. Veynar

(74) *Attorney, Agent, or Firm*—Shughart Thomson & Kilroy L.C.

(57) **CLAIM**

The ornamental design for a lid with a window, as shown and described.

DESCRIPTION

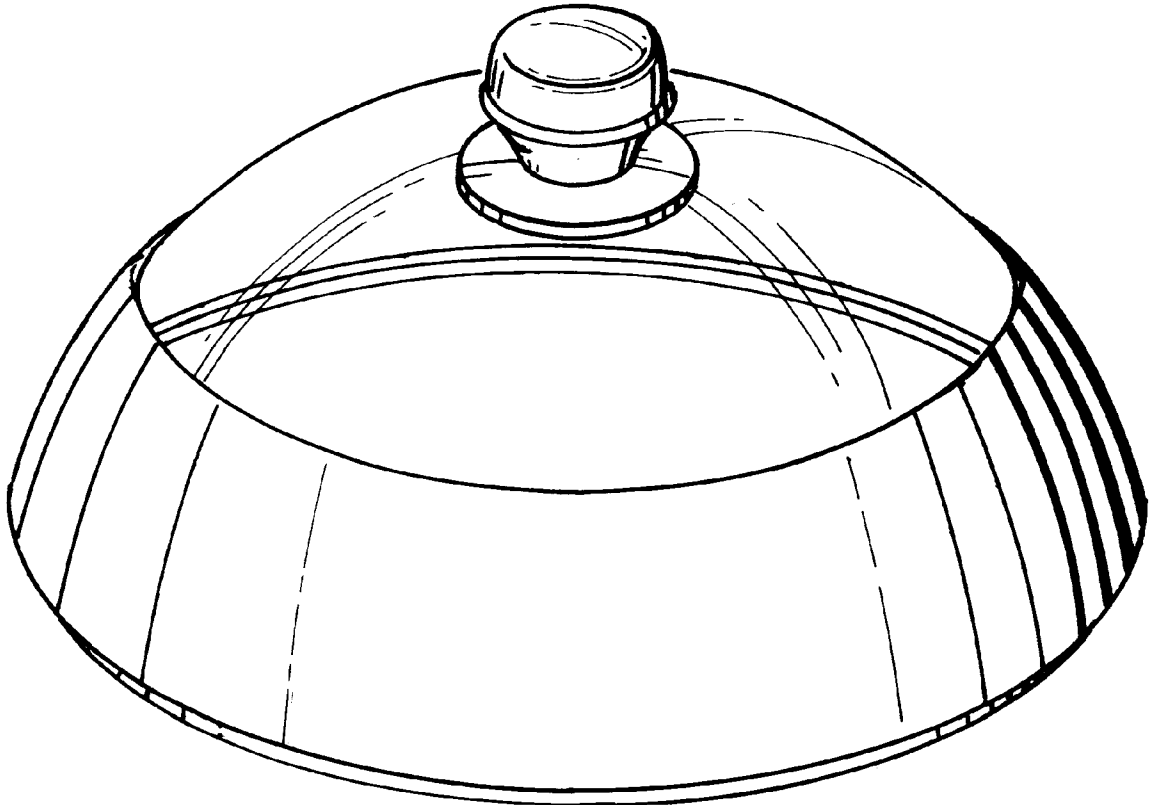
FIG. 1 is a perspective view of a lid with a window.

FIG. 2 is a top plan view of the lid with a window.

FIG. 3 is a front view of the lid with a window, the rear view, left side view, and right side views being identical thereto; and,

FIG. 4 is a bottom plan view of the lid with a window.

1 Claim, 2 Drawing Sheets



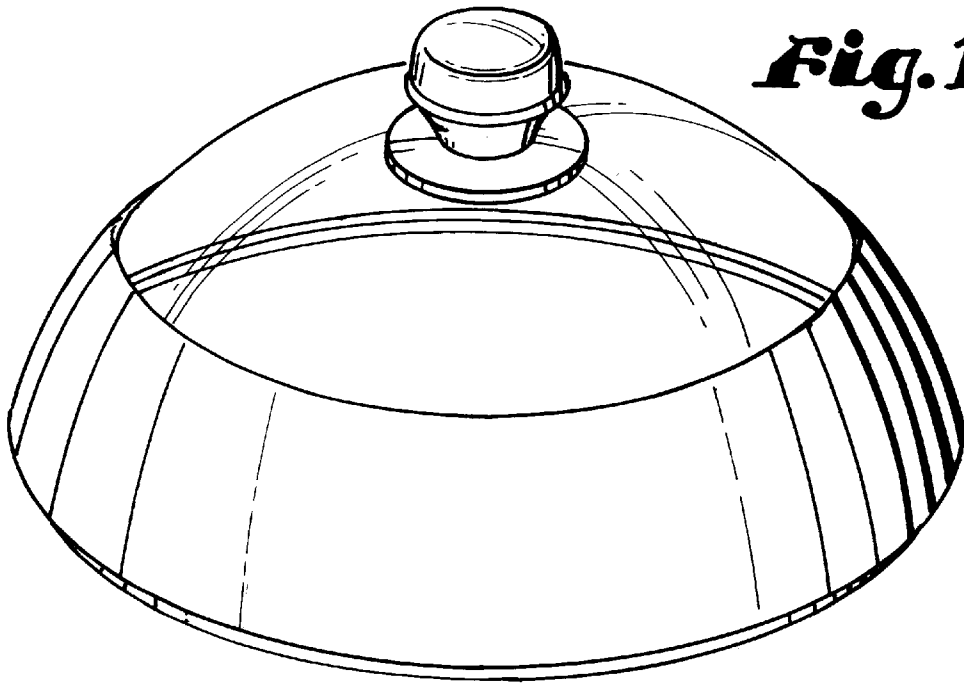


Fig. 1.

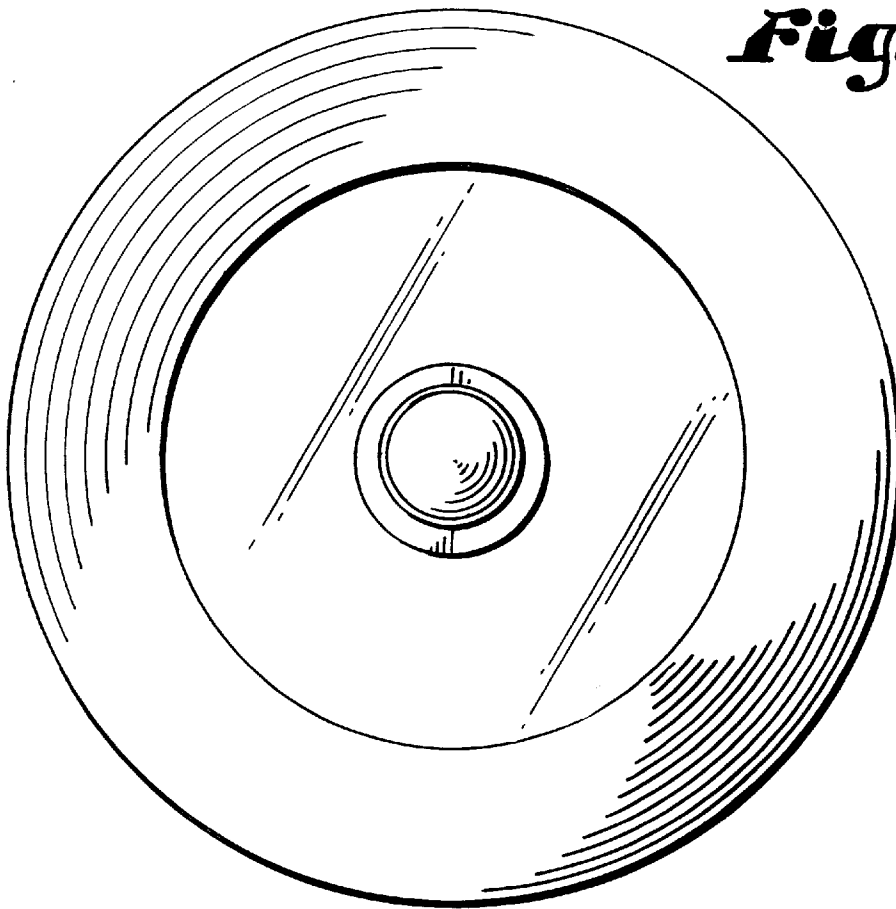


Fig. 2.

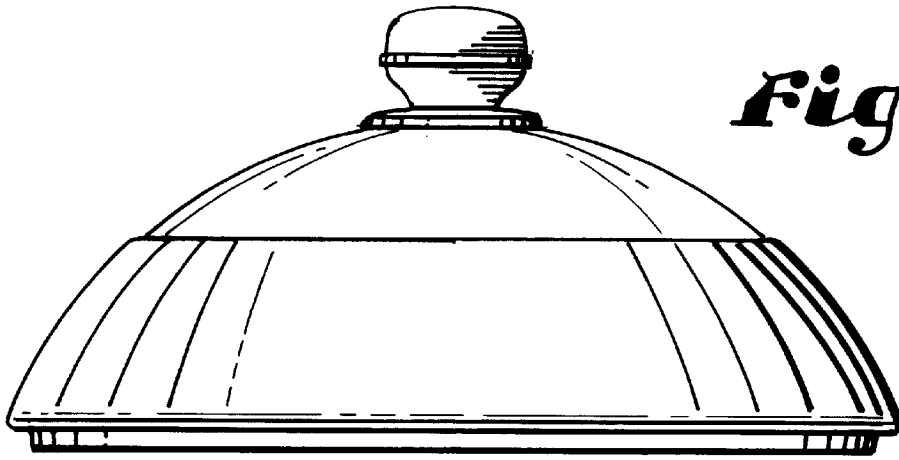


Fig. 3.

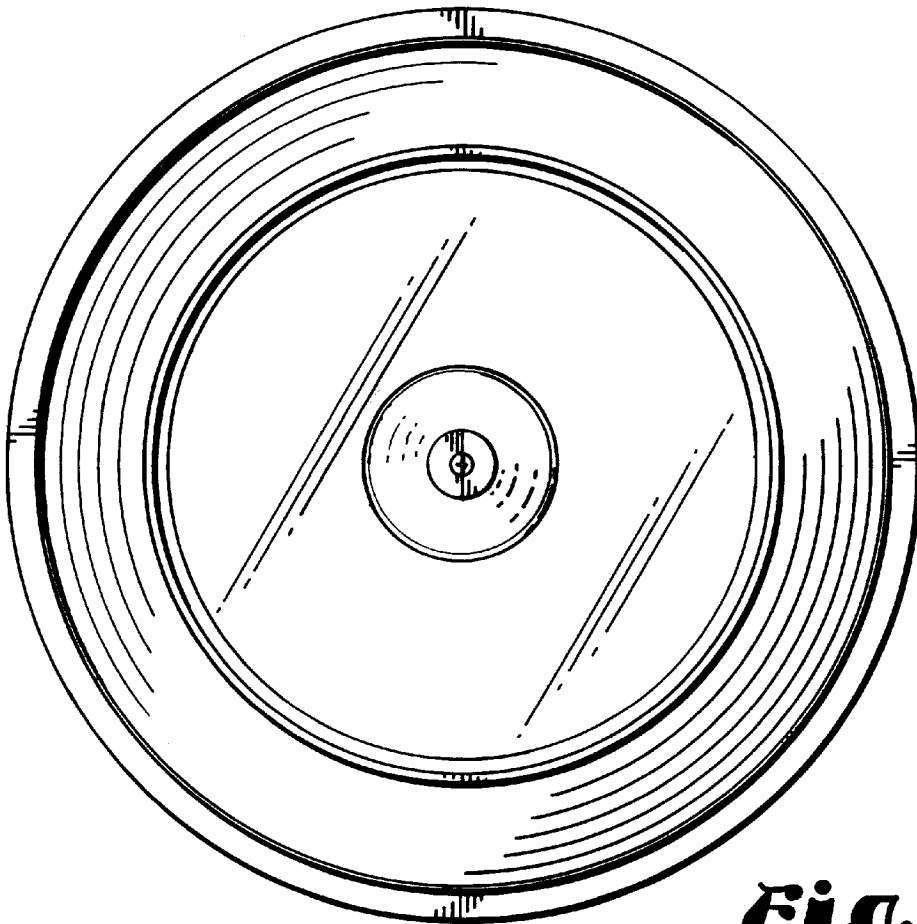


Fig. 4.