



(51) International Patent Classification:

A47B 83/00 (2006.01) A47B 11/00 (2006.01)

(21) International Application Number:

PCT/IB2020/053203

(22) International Filing Date:

03 April 2020 (03.04.2020)

(25) Filing Language:

English

(26) Publication Language:

English

(30) Priority Data:

102019000005352 08 April 2019 (08.04.2019) IT

(71) Applicant: **METALCO WORKPLACES S.R.L.** [IT/IT];
Via della Fornace 44, Castelminio, I-31023 RESANA (TV)
(IT).

(72) Inventors: **INNOCENZI BOTTI, Gian Luca**; C/O METALCO WORKPLACES S.R.L., Via della Fornace 44, Castelminio, I-31023 RESANA (TV) (IT). **MATTIELLO, Alberto**; C/O METALCO WORKPLACES S.R.L., Via della Fornace 44, Castelminio, I-31023 RESANA (TV) (IT).

(74) Agent: **FIAMMENGHI, Eva et al.**; Via delle Quattro Fontane, 31, I-00184 ROMA (IT).

(81) Designated States (unless otherwise indicated, for every kind of national protection available): AE, AG, AL, AM, AO, AT, AU, AZ, BA, BB, BG, BH, BN, BR, BW, BY, BZ, CA, CH, CL, CN, CO, CR, CU, CZ, DE, DJ, DK, DM, DO, DZ, EC, EE, EG, ES, FI, GB, GD, GE, GH, GM, GT, HN, HR, HU, ID, IL, IN, IR, IS, JO, JP, KE, KG, KH, KN, KP, KR, KW, KZ, LA, LC, LK, LR, LS, LU, LY, MA, MD, ME, MG, MK, MN, MW, MX, MY, MZ, NA, NG, NI, NO, NZ, OM, PA, PE, PG, PH, PL, PT, QA, RO, RS, RU, RW, SA, SC, SD, SE, SG, SK, SL, ST, SV, SY, TH, TJ, TM, TN, TR, TT, TZ, UA, UG, US, UZ, VC, VN, WS, ZA, ZM, ZW.

(84) Designated States (unless otherwise indicated, for every kind of regional protection available): ARIPO (BW, GH, GM, KE, LR, LS, MW, MZ, NA, RW, SD, SL, ST, SZ, TZ, UG, ZM, ZW), Eurasian (AM, AZ, BY, KG, KZ, RU, TJ, TM), European (AL, AT, BE, BG, CH, CY, CZ, DE, DK, EE, ES, FI, FR, GB, GR, HR, HU, IE, IS, IT, LT, LU, LV, MC, MK, MT, NL, NO, PL, PT, RO, RS, SE, SI, SK, SM, TR), OAPI (BF, BJ, CF, CG, CI, CM, GA, GN, GQ, GW, KM, ML, MR, NE, SN, TD, TG).

(54) Title: MODULAR KIT FOR OBTAINING OUTDOOR WORK SPACES

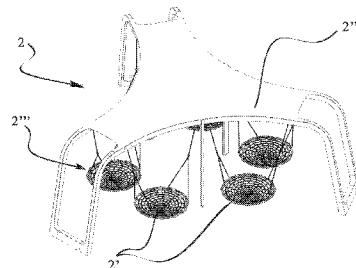
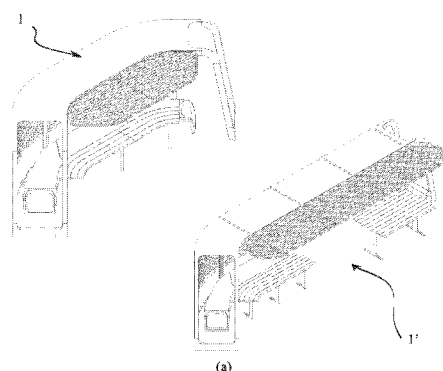


Fig. 1

(57) Abstract: Modular kit for obtaining outdoor work spaces, comprising the following modules: - "productivity" (1): with indoor desks; - "inspiration" (2): constituted by a two-level structure with lower hanging seats (1') and treadable cover (2'') that can be reached by means of a ladder (2'''); - "engagement" (3): constituted by a semi-outdoor area with a round table, - "meditation" (4): constituted by a small semi-outdoor room made with natural materials, provided with cushions and shading panels; - "presentation" (5): constituted by an outdoor amphitheater provided with a stage (5'') preferably provided with screen and round table and with a plurality of curved benches (5''') for the spectators; - "energy" (6): provided with an extended-shaped structure which opens towards the outside with a shared table, said kit also able to comprise the modules: - "ring", - "artistic"; shared creation", "exhibition", "event storming"; "refreshment"; wellness"; "animals".



Published:

- *with international search report (Art. 21(3))*
- *in black and white; the international application as filed contained color or greyscale and is available for download from PATENTSCOPE*

“Modular kit for obtaining outdoor work spaces”

Description

5 **Field of the art**

The present invention operates in the field of urban furnishing and in particular in the field of equipment for performing various types of work that can be performed outdoors.

Prior art

10 Neuropsychological research has demonstrated that living close to or immersed in nature, crossing a natural landscape on a daily basis or observing a natural scene has a regenerating effect on man's body and mind. Working outdoors increases productivity and decreases stress and mental fatigue. There are therefore numerous reasons for which passing time outdoors plays a role of essential importance for the psychophysical wellbeing of people:

- 15
- increase of productivity;
 - increase of concentration capacity;
 - decrease of visual fatigue;
 - decrease of stress and mental fatigue;
 - increase of happiness;
- 20
- increase of cognitive capacity.

Presently, some public spaces are equipped with urban furnishing elements that have the object of providing users with a valid work space or equipment for carrying out gym exercises or any other instrument to make one feel at ease outdoors, perhaps while completing a job, enjoying a coffee, reading a book or carrying out any other activity.

25 Metalco S.r.l. company, belonging to the same group as the Applicant, owns other industrial invention patents and patent applications which regard urban furnishing equipment which is modular and which covers specific functions.

With regard to the work spaces, there does not appear to exist anything so specific that can

be installed in any open space, creating an actual outdoor office that could be used not just by single individuals who, with their own computers, spend an hour to work outside, but also by entire companies who make the kit, object of the present invention, their main place of work.

5 Several international patents pursue the object of facilitating the performance of work outdoors. One example thereof is the utility model CN207125541 which describes a multipurpose office chair for the outdoors. This is provided with electric power supply by means of batteries, electrical cable connection outlets, acoustic speakers, archiving space and armrests. The chair is also provided with footrests and reclinable back and ergonomic
10 cushions.

It is clear that neither the utility model just described nor the other patents present today on the market are able to provide an actual office that can be perceived by people as a fixed/established work station, and not a random or occasional one.

15 **Description of the invention**

According to the present invention, a kit is attained for the modular construction of outdoor work spaces which effectively resolves the abovementioned problems.

The outdoor work spaces attained by means of the kit of the present invention are built according to two principles:

- 20 - a “ribbon” that connects the various structures, creating geometries that recall the decorative hedges of Renaissance gardens;
- modules designed for very specific objects in terms of work experiences. Due to the “ribbon”, the modules are connected, creating the iconic effect of Renaissance gardens and simultaneously setting up experiential areas.

25 The micro-objectives of the kit of the present invention are each reached by a specific module that can be variously composed or assembled with the other modules depending on the configuration of the dedicated space:

- “productivity” module: through two desk units comprising extra seating space. The

structure has been designed for maximizing the productivity and the concentration effort of a team, keeping distractions to a minimum due to the frontal arrangement of the users. Also possibly added is a sharing station with desk and screen.

- 5 - “inspiration” module: through a two-level structure which allows people to relax, talk and rest between the various work sessions. The upper level allows people to change viewpoints for stimulating their creativity. In one embodiment, this module also comprises at least one swing.
- 10 - “engagement” module: through a semi-outdoor area with a round table that supports dynamic and team work. The structure on one hand facilitates concentration and minimizes distractions and on the other hand always allows viewing the outside environment.
- 15 - “meditation” module: through a small and “intimate” room suitable both for a single individual and for a small meditation group. Wood flooring, cushions and relaxing music will assist the mental activities with the objective of clearing one’s mind and taking a step away from stressful thoughts and activities. The shaders are very concentrated lower down, to give the right privacy, and are less concentrated higher up in order to allow natural lighting of the setting. At the center of this module, a Tibetan bell is preferably placed, useful for meditation sessions.
- 20 - “presentation” module: through an outdoor amphitheater provided with a stage with screen and round table and with two types of curved benches for the spectators.
- 25 - “energy” module: through an extended-shaped structure which opens towards the outside with shared table designed for facilitating the interaction between multiple people, the exchange of ideas and for creating a sense of “community”. In one embodiment, a sharing station can be added to the energy module, provided with desk and screen for present content.
- “ring” module: constituted by an annular bench which can house up to 20 people for stimulating group meetings where it is important to create a certain level of intimacy in the team. The circular shape recalls ancestral meetings around the fire and allows a

facilitator to create the correct level of involvement in carrying out a work of personal sharing. For such reason, there will be a brazier at the center of said “ring” module.

- “artistic” module: constituted by walls and accessories for allowing people freedom for artistic creativity: possibility of painting, gluing images, drawings, etc.
- 5 - “shared creation” module: comprising an area composed of various stations which allow following co-creation sessions: areas for sharing ideas (max 5 people), walls for sharing exercises based on post-it architecture, large tables for completing team work.
- “exhibition” module: comprising walls equipped for the temporary exhibition of objects and products.
- 10 - “sharing” module: through a high table for the temporary sharing of ideas, projects and coffee.
- “event storming” module: constituted by a long horizontal wall equipped for sessions with participation up to 20 people.
- “refreshment” module: through an area equipped for housing refrigerators, coffee
15 machines, kitchen and bar equipment.
- “wellness” module: dedicated for stretching and extension in order to recover movement after long productive work sessions.
- “animals” module: through an area dedicated to animal wellbeing, with relaxation, training and refreshment zones.
- 20 - “seating” module: through a plurality of benches with curved shape, suitable for being mutually engaged to create a closed curve geometry.

Advantageously, in order to personalize the spaces according to the needs of each person or group that is occupying them, a plurality of accessories will be available, each of which included in the kit, object of the present invention. Such accessories are:

- 25 - Accessory for limiting light reflection;
- Privacy accessory;
- Sound-absorbing accessory for improved management of noise and of speech;
- aroma releasing accessory;

- accessory for the temporary storage of mobile phones, computers, and other electronic devices;
- accessory for signaling the state of the station.

All the single modules can be combined and assembled in configurations that are always different, expressly designed in order to facilitate specific behaviors: the basic principle on which the entire process is founded is exploration in order to create productive, inspiring and co-creative engagement between different people and different social groups.

The macro-objectives achieved by the obtainment of a work environment by means of the present kit are the following:

- 10 - Co-Creation: the modules can be combined and have accessories added thereto in order to create the perfect space for sharing ideas and experiences. The circular benches confer the sensation of a more intimate space, the walls equipped, on which post-its can be attached, and the sharing tables suggest group work activities that will then be presented to the other workers in the areas dedicated to this activity.
- 15 - Contamination, i.e. the sharing of spaces between people with different objectives establishes an environment favorable to the flow of ideas, in order to keep everyone motivated.
- Inspiration: The creativity and productivity need room to breathe. The spaces of the kit dedicated to inspiration were designed for allowing people freedom to see things from a different perspective, to isolate themselves and meditate or communicate and liberate their own artistic expression.
- 20 - Productivity: spaces designed for facilitating the concentration of each person without being distracted. Elements of natural origin and sounds like that of water can be added in order to further increase concentration.

25 The outdoor space attained by means of the present kit not only facilitates work outdoors but also enables work protocols and routines defined based on benefits obtainable from multisensorial experiences. It is a system that is based on mixing of design, fragrances, micro-movements of nature and lights, direct, reflected and generated.

In addition to the operating and furnishing elements, the kit in fact also comprises a complex lighting system that follows biophilia principles. The latter is a science that explores the relation between nature, human biology and the lights design in order to study the physiological and psychological experience of man and the benefits that can be derived therefrom.

The object is to reduce stress, facilitate/enhance creativity and clarity of thought and propose a new and improved quality standard of the work environment.

In addition to the lighting functional for work purposes, in the environments dedicated to relaxation and meditation an anti-stress lighting system is therefore established, suffused and variable at regular time intervals, with a cycle of about 8 increases and subsequent decreases of light intensity per minute, naturally contributing to the adjustment of the breathing frequency of the person who is occupying that space.

Possibly and preferably, the kit can be equipped with a specific design of the plant landscape which follows biophilia principles and which supports the experience from a functional, emotional and work viewpoint. In harmony with the surroundings and with the climate where the project is installed, the following will be recommended:

- plants which improve the sense of freshness, since they remove humidity;
- shading plants which improve thermal comfort;
- plants which keep insects away;
- plants which increase concentration due to their fragrances;
- plants which have positive anti-stress properties.

For the purpose of improving the so-called technological comfort, the following are part of the present kit: Wi-Fi, power outlets and USB ports, with protection against atmospheric agents, wireless charge stations, and all that which allows working in a high-performing manner. In addition thereto, switches are also provided as well as mobile applications for managing the light apparatuses. Possibly, the following can also be present: charge stations for electric bicycles, anti-panic buttons, security video cameras and photovoltaic panels for a possible off-grid installation of the system.

For the purpose of improving the thermal comfort, the following can be included in the present kit: infrared lamps and heating panels and, in the case of hot conditions, an adjustable cold air blade system channeled within the support structure.

The shading panels of all the modules of the kit can also be electric, with the capacity of
5 being opened and closed, automatically adjusting to the change of weather conditions.

For the purpose of improving olfactory comfort, the following can be part of the present kit: essence dispensers for stimulating concentration, relaxation or creativity. Essences can also be provided for welcoming animals and keeping them pleasantly involved.

For the purpose of improving physical comfort, the following can be part of the present kit:
10 insect repellent fragrance diffusers, smoke suctioning devices and air purifiers.

For the purpose of improving sound comfort, the following can be part of the present kit: sound-absorbing panels with the use both of synthetic materials - stand-alone or inserted in the structure - and vegetation. In addition thereto, audio diffusers can be distributed in the structure for producing sound background that allows concentration and productivity.

15 Specific playlists will be created and differentiated depending on the work module.

The technology employed for the work to be carried out is that known, which allows sharing audio-visual presentations and messages. Specifically, the modules are integrated with:

- outdoor audio visual equipment;
- speakers;
- 20 - screens for sharing presentations in meetings;
- screens for sharing large-size presentations;
- Digital Signage for communicating the programming of the station occupation;
- screens and software for collaboration work;
- CMS (Content Management Systems) software for distributing messages, organized in the
25 various monitors connected to the facility.

The apparatuses can be directly connected to the structure or hung on freestanding structures.

The present kit is also advantageously associated with an App.

The software is accessible both in desktop and mobile mode. The App, management side, allows:

- 5 - managing the lighting: turning on, off and adjusting the decorative lighting, functional lighting and the biophilia lighting (colors, intensity and direction); controlling the power consumptions and possible malfunctions;
- managing the musical environment: controlling the cable radio musical playlists dedicated to the various areas;
- allocation of spaces: booking the meeting rooms and presentation areas and payment of the same by means of credit card or other online banking system; managing the 10 digital signs for signaling the booking of the areas;
- managing the work wellness: management of messages for the people working, in order to help them have a healthy approach to work (messages to take breaks, notifications for events, indications for the adjustment of light, heat and cold, etc.);
- managing the environmental comfort: adjustments of the electric shaders; management 15 of the aromas differentiated according to the objectives of the experience; managing the sensor system applied to the structures in order to verify, in real time, the work conditions (temperature, humidity, lighting, shading, silence, crowding, pollen, odor, insects, pollution, occupation of spaces, etc.) and complete dashboard for viewing the data in real time, with suggestions for the improved optimization of the structures.

20 The App, user side or worker side, allows:

- finding the offices attained according to the present kit that are closest, and displaying a map for reaching them;
- dashboard for checking the satisfaction index for working outdoors (indicator that derives from a weighted algorithm on the real time conditions of temperature, 25 humidity, lighting, shading, silence, crowding, pollen, odor, insects, pollution, occupation of spaces, presence of people, etc.);
- possibility of giving reviews on the work conditions so as to improve the algorithm that describes the outdoor working pleasure indicator;

- renting/booking meetings and meeting rooms;
- managing the presentation screens: Wi-Fi connection with the screens and possibility to project directly on the screens of the structures;
- managing the cable radio audio (turning on, off, managing volume, playlists);
- 5 - creation of a user profile in order to make the same work environment (lights, temperature, aromas, music, etc.) portable into different stations;
- management of food and beverage orders from distributors integrated in the kit;
- events management: creation and participation at events organized by the community;
- development of an international community of outdoor workers;
- 10 - updates and messaging with the managers of the community;
- construction of a personal network due to the integration with any other social network.

Advantageously the present invention is applicable to a plurality of environments such as, for example: a residential building; company campus; company terraces; university
15 campuses; public spaces; trade shows; co-working spaces; gyms; cruise ships; charge stations for electric cars; hotels and resort; airports; stations; shopping malls; private spaces.

The advantages offered by the present invention are evident in light of the description made up to now and will be even clearer due to the enclosed figures and to the relative detailed description.

20

Description of the figures

The invention will now be described hereinbelow in at least one preferred embodiment by way of a non-limiting example, with the aid of FIGURE 1 which shows the base modules of the kit, object of the present invention.

25

Detailed description of the inventio

The present invention will now be illustrated as a merely exemplifying but non-limiting or non-binding example, with reference to the figures which illustrate several embodiments

relative to the present inventive concept.

With reference to FIG. 1, the basic modules are shown which constitute the minimal version of the kit, object of the present invention, which are the following:

- 5 - “productivity” module 1: provided with a pair of indoor desks possibly comprising the extra seating space 1’ for the guests to whom the content is to be presented;
- “inspiration” module 2: constituted by a two-level structure with lower hanging seats 2’ and treadable cover 2’’ that can be reached by means of a ladder 2’’’, which allows people to relax, talk and rest between the various work sessions;
- “engagement” module 3: constituted by a semi-outdoor area with a round table
10 possibly comprising the extra seating space 3’ for the guests to whom the content is to be presented;
- “meditation” module 4: constituted by a small semi-outdoor room made with natural materials, provided with cushions and shading panels;
- “presentation” module 5: constituted by an outdoor amphitheater provided with a stage
15 5’ preferably provided with screen and round table and with a plurality of curved benches 5’’ for the spectators;
- “energy” module 6: provided with an extended-shaped structure which opens towards the outside with a shared table possibly comprising extra seating space 6’ for the guests to whom the content is to be presented.

20 In other possible embodiments, for more complex natural environments and work requirements, several other modules can be installed such as:

- “ring” module 10 (fig. 1(l)): constituted by an annular bench for stimulating group meetings where it is important to create a certain level of intimacy in the team;
- “artistic” module 7 (fig. 1(g)): constituted by walls 7’ and accessories in order to allow
25 people freedom for artistic creativity: possibility of painting, gluing images, drawings, etc.;
- “shared creation” module 9 (fig. 1(i)): comprising an area composed of various stations which allowing following the co-creation sessions: areas for sharing ideas,

- walls for sharing exercises and large tables for completing team work;
- “exhibition” module 8 (fig. 1(h)): comprising walls 8’ equipped for the temporary exhibition of objects and products;
 - “event storming” module: constituted by an equipped horizontal wall;
 - 5 - “refreshment” module 11 (fig. 1(m)): provided with refrigerators, coffee machines, kitchen and bar equipment;
 - “wellness” module: provided with equipment for stretching and extension;
 - “animals” module: provided with relaxation, training and refreshment zones for pets.

In order to facilitate productivity, all modules, independent of their assembly configuration,
10 are provided with Wi-Fi; power outlets; USB ports with protection against atmospheric agents; wireless charge stations; outdoor audio visual equipment; speakers; screens for sharing presentations in meetings; screens for sharing large-size presentations; screens and software for collaboration work; software dedicated for distributing organized messages in the various monitors connected to the facility.

15 In addition to the so-called technological comfort, provided by the aforesaid devices, also the environmental comfort is very much considered, provided by means of:

- common heat regulation systems such as, for example: infrared lamps; heating panels and adjustable cold air blade systems channeled within the support structure of the various modules;
- 20 - electric shading panels of each module, connected to the local network to open and close automatically, adjusting to the change of the weather conditions;
- sound-absorbing panels and audio diffusers connected to said local network in order to produce a sound background pre-established and differentiated for each work area that allows concentration and productivity or relaxation and meditation.

25 It is also possible to personalize each module, according to the needs of each user, by means of the following accessories having the functions of

- limiting the light reflections;
- screening for increasing the privacy of one’s own space;

- sound absorption;
- temporary storage of mobile phones, computer and other electronic devices.

In addition, by means of the App connected to the local network of each work space attained by means of the present kit, it is possible for the various workers: to give reviews regarding
5 the work conditions; book meetings and meeting rooms; manage the presentation screens by means of connection to the local network; manage the cable radio audio in the work space thereof; create a user profile for reproducing, in various stations, the same work environment in terms of lights, temperature, aromas, music, etc. If a “refreshment” module is also present, by means of said App it is also possible to manage the food and beverage orders. The
10 “social” functions are also present, by means of which each user can create a personal profile, integrating it with any other social network and creating and managing community events.

The App is also useful for the manager of the outdoor work space and allows managing music, lighting, heat regulation apparatuses, allocation of spaces and management of digital
15 signs for signaling if the various areas are free or reserved.

The kit of the present invention, therefore, both in its minimal version and if it is equipped with one or more optional modules from among those listed above, allows attaining actual outdoor offices, avoiding weather difficulties due to the nature of outdoor work itself and facilitating both the productivity of the single individual and the contamination between
20 multiple work groups.

Finally, it is clear that modifications, additions or variations that are obvious for the man skilled in the art can be made to the invention described up to now, without departing from the protective scope which is provided by the enclosed claims.

Claims

1. Modular kit for obtaining outdoor work spaces, suitable to facilitate the productivity, the contamination between several work groups and the safeguarding of the wellness of the workers in a highly technological environment; said kit being **characterized in that**
5 it comprises a plurality of modules, differentiated by function, that can be variously assembled and approached for the attainment of the desired work context and more appropriate to the natural environment in which the kit is inserted; said kit comprising at least the following modules:
 - 10 - “productivity” module (1): provided with a pair of indoor desks possibly comprising the extra seating space (1’) for the guests to whom the content is to be presented;
 - “inspiration” module (2): consisting of a two-level structure with lower hanging seats (2’) and treadable cover (2’’) that can be reached by means of a ladder (2’’’), which allows people to relax, talk and rest between the various work sessions;
 - 15 - “engagement” module (3): consisting of a semi-outdoor area with a round table possibly comprising the extra seating space (3’) for the guests to whom the content is to be presented;
 - “meditation” module (4): consisting of a small semi-outdoor room made of natural materials, provided with cushions and shading panels;
 - 20 - “presentation” module (5): consisting of an outdoor amphitheater provided with a stage (5’) preferably provided with a screen and round table and with a plurality of curved benches (5’’) for the spectators;
 - “energy” module (6): provided with an extended-shaped structure which opens towards the outside with a shared table possibly comprising the extra seating space
25 (6’) for the guests to whom the content is to be presented;said kit possible further comprising at least one of the following modules:
 - “ring” module (10): consisting of an annular bench to stimulate group meetings in which it is important to create a certain level of intimacy in the team;

- “artistic” module (7): consisting of walls (7’) and accessories for allowing the people freedom for artistic creativity: possibility of painting, gluing images, drawing, etc.;
 - “shared creation” module (9): comprising an area consisting of various stations which allow following co-creation sessions: areas for sharing ideas, walls for sharing exercises and large tables for completing team work;
 - “exhibition” module (8): comprising walls (8’) equipped for temporary exhibition of objects and products;
 - “event storming” module: consisting of an equipped horizontal wall;
 - “refreshment” module (11): provided with refrigerators, coffee machines, kitchen and bar equipment;
 - “wellness” module: provided with stretching and extension equipment;
 - “animals” module: provided with relaxation, training and refreshment areas for pets;
- all said modules being provided with: Wi-Fi; power outlets; USB ports with protection against atmospheric agents; wireless charge stations; outdoor audio visual equipment; speakers; screens for sharing presentations in meetings; screens for sharing large-size presentations; screens and software for collaboration work; software dedicated for distributing organized messages in the various monitors connected to the facility; said software being accessible both in desktop and mobile mode by means of a dedicated App provided with a management side and a user side; said management side allowing to:
- manage the lighting;
 - manage the music environment;
 - manage the allocation of spaces, the booking of meeting rooms and presentation areas and manage the digital signs for signaling the booking of the areas;
 - manage the sending of messages to take breaks, signal events, instructions for adjusting lights, heat and cold as well as other signals for improving workplace

wellness for all users present;

- manage the environmental comfort through a special sensor system applied to each module to verify, in real time, work conditions such as temperature, humidity, lighting, silence, crowding, pollen, odor, insects, pollution, occupation of spaces;

5 said user or worker side *App* allowing to:

- find the closest offices obtained according to the kit in question and displaying the interactive map to reach them;
- check the dashboard for checking the satisfaction index for working outdoors;
- give reviews on the work conditions;

10 - book meetings and meeting rooms;

- manage the presentation screens by connecting to a local network;
- manage the cable radio audio in the work space thereof;
- create a user profile for reproducing, in various stations, the same work environment in terms of lights, temperature, aromas, music, etc.;

15 - manage food and beverage orders from distributors integrated in the kit;

- create and manage community events;
- build a personal network thereof due to the integration with any other social network.

20 2. Modular kit for obtaining outdoor work spaces, according to the preceding claim 1, **characterized in that** the modules dedicated to relaxation are provided with an anti-stress lighting system, suffused and variable at regular time intervals, with a cycle of about 8 increases and subsequent decreases of light intensity per minute, naturally contributing to the adjustment of the breathing frequency of the person occupying that
25 space.

3. Modular kit for obtaining outdoor work spaces, according to any one of the preceding claims 1 or 2, **characterized in that** it comprises a plurality of accessories, each of

which applicable at will to at least one work station; said accessories having the function of:

- limiting light reflections;
 - screening to increase the privacy of the space thereof;
 - 5 - sound absorption;
 - temporary storage of mobile phones, computers and other electronic devices.
4. Modular kit for obtaining outdoor work spaces, according to any one of the preceding claims, **characterized in that** it comprises a system of plants which, according to
- 10 biophilia principles, support the experience from a functional, emotional and work viewpoint having purposes such as:
- lowering the humidity content;
 - shading;
 - repelling insects;
 - 15 - releasing fragrances which help concentration.
5. Modular kit for obtaining outdoor work spaces, according to any one of the preceding claims, **characterized in that** it comprises at least one of the following devices: charge
- 20 stations for electric bicycles; anti-panic buttons; security video cameras; photovoltaic panels.
6. Modular kit for obtaining outdoor work spaces, according to any one of the preceding claims, **characterized in that** it comprises common heat adjustment systems such as, for example: infrared lamps; heating panels and adjustable cold air blade systems
- 25 channeled within the support structure of the various modules.
7. Modular kit for obtaining outdoor work spaces, according to any one of the preceding claims, **characterized in that** said modules are provided with electric shading panels

connected to the local network to open and close, automatically adjusting to the change of the weather conditions.

8. Modular kit for obtaining outdoor work spaces, according to any one of the preceding claims, **characterized in that** it comprises essence dispensers connected to said local network to produce an olfactory environment pre-established and differentiated for each work area which allows concentration and productivity or relaxation and meditation; said kit also comprises insect repellent fragrance diffusers, smoke suctioning devices and air purifiers.

10

9. Modular kit for obtaining outdoor work spaces, according to any one of the preceding claims, **characterized in that** it comprises sound-absorbing panels and sound diffusers connected to said local network for producing a sound background pre-established and differentiated for each work area which allows the concentration and productivity or relaxation or meditation.

15

10. Use of a modular kit for obtaining outdoor work spaces, according to any one of the preceding claims in environments such as, for example: residential buildings; company campuses; company terraces; university campuses; public spaces; trade shows; co-working spaces; gyms; cruise ships; electric vehicles charge stations; hotels and resorts; airports; stations; shopping malls; private spaces.

20

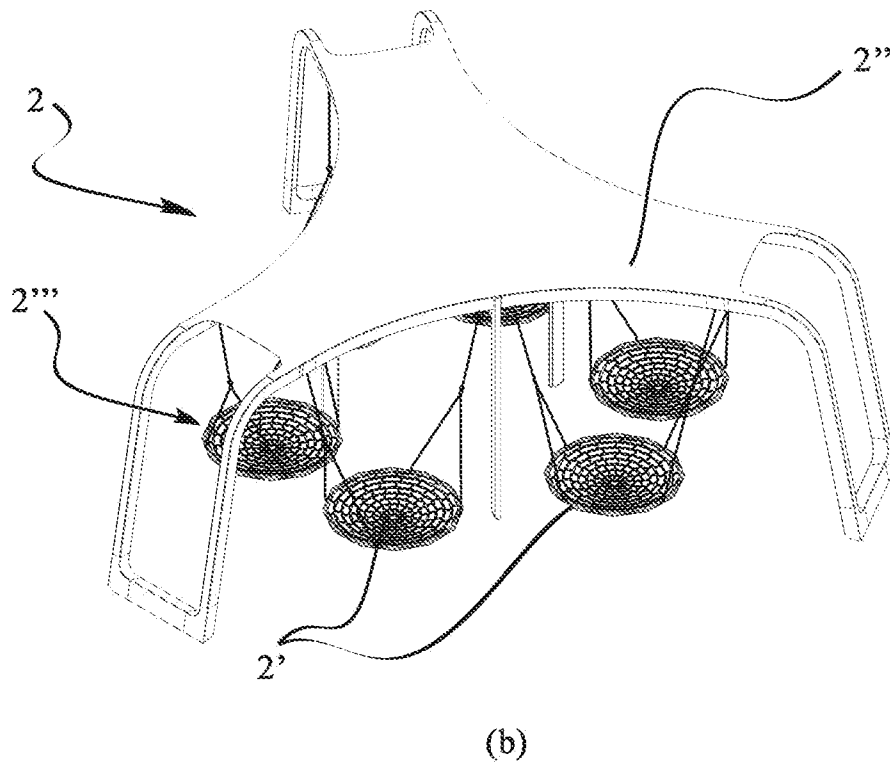
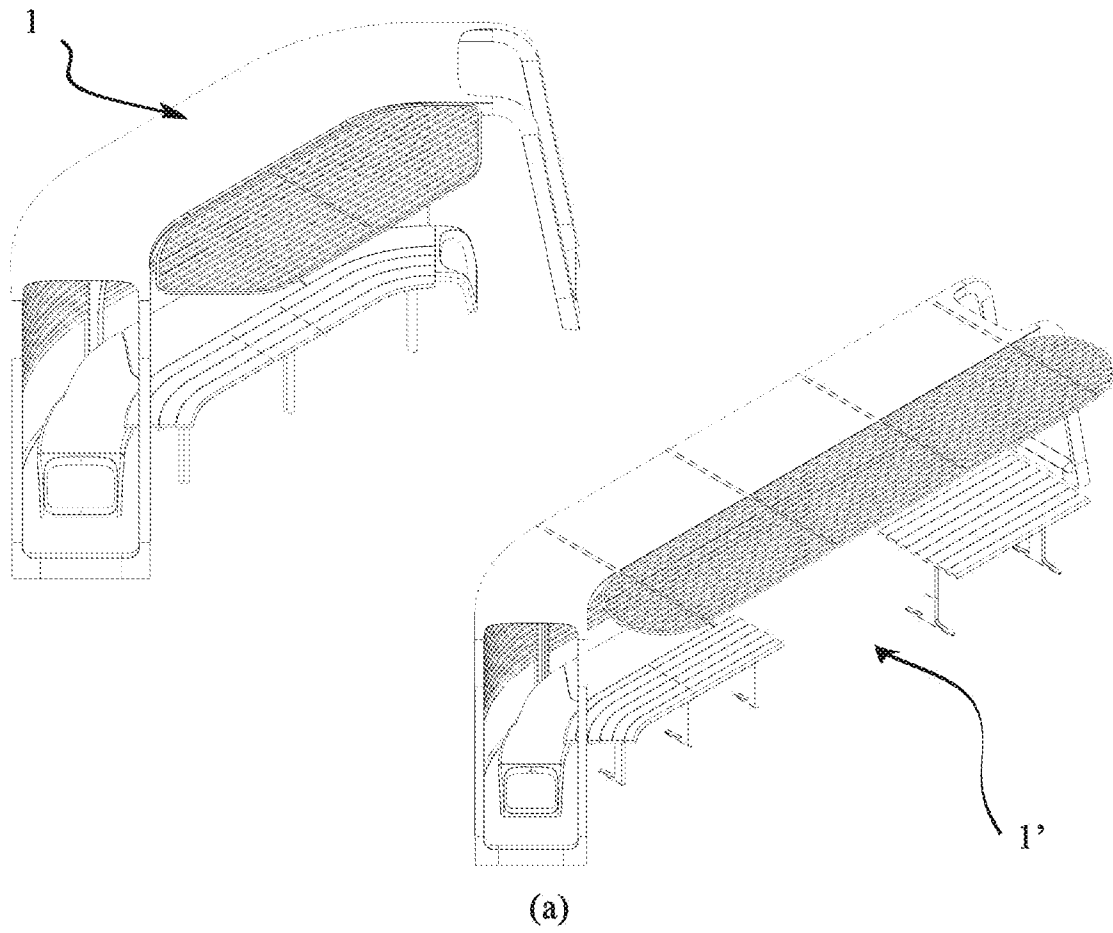
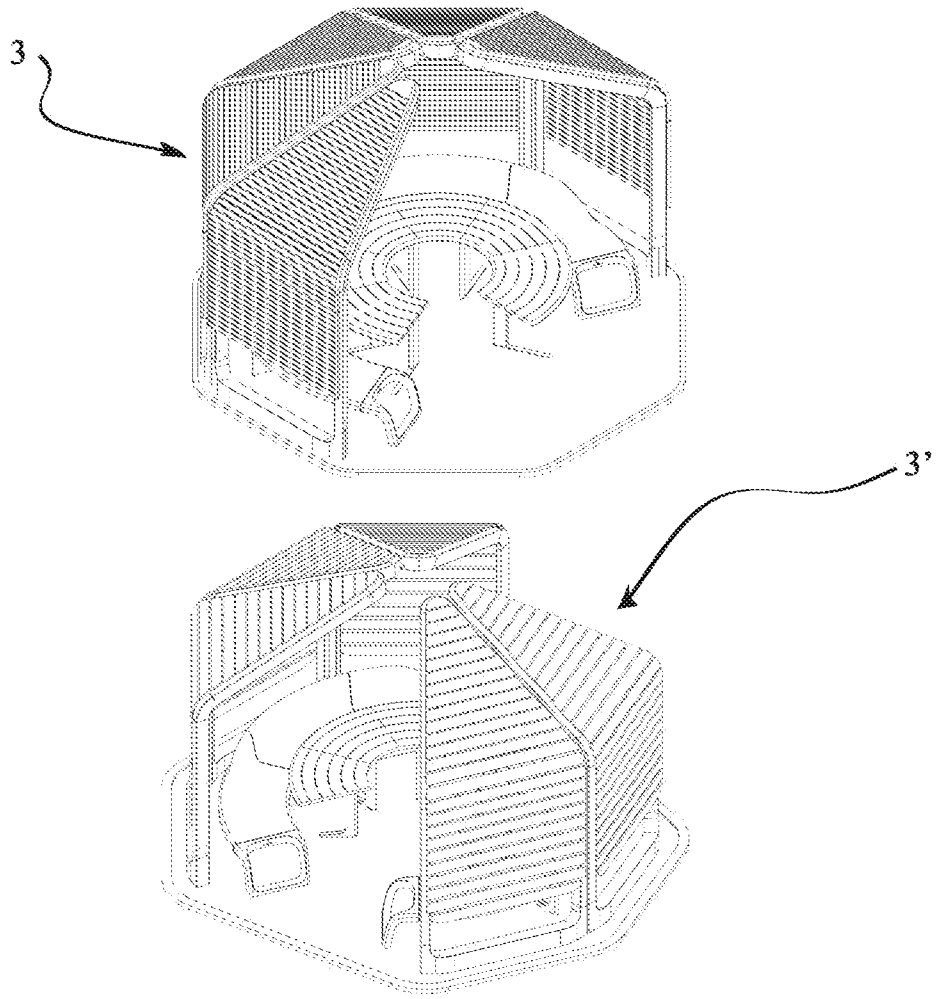
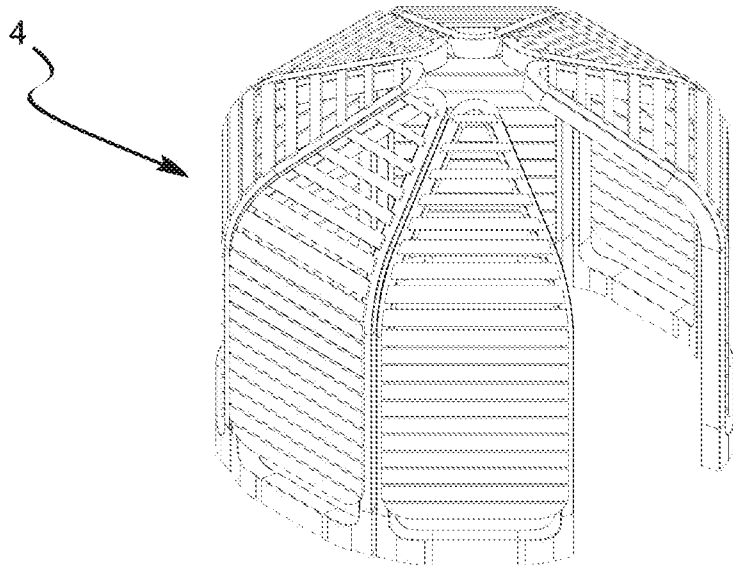


Fig. 1

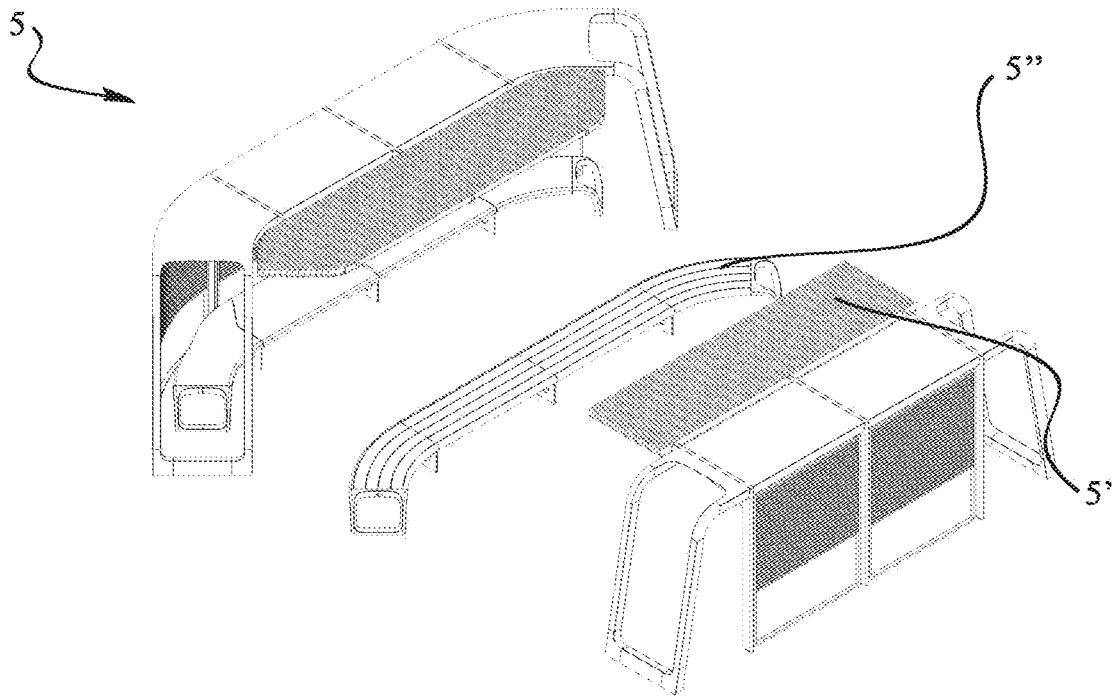


(c)

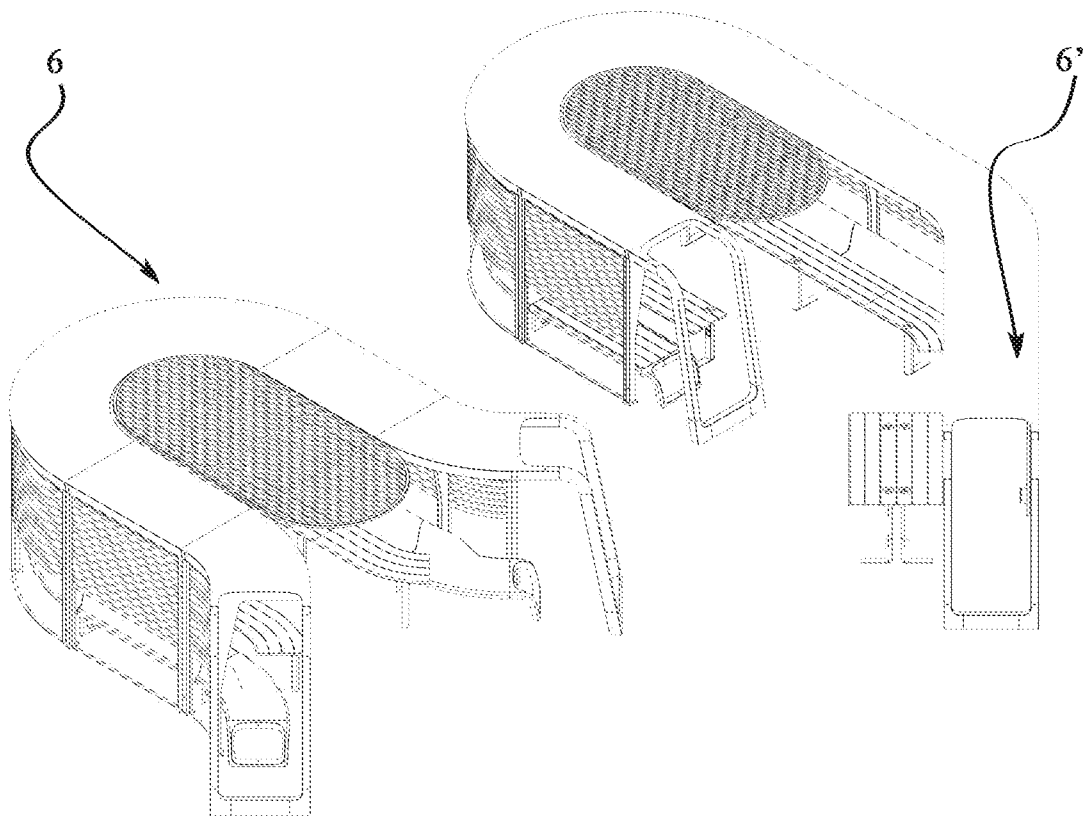


(d)

Fig. 1

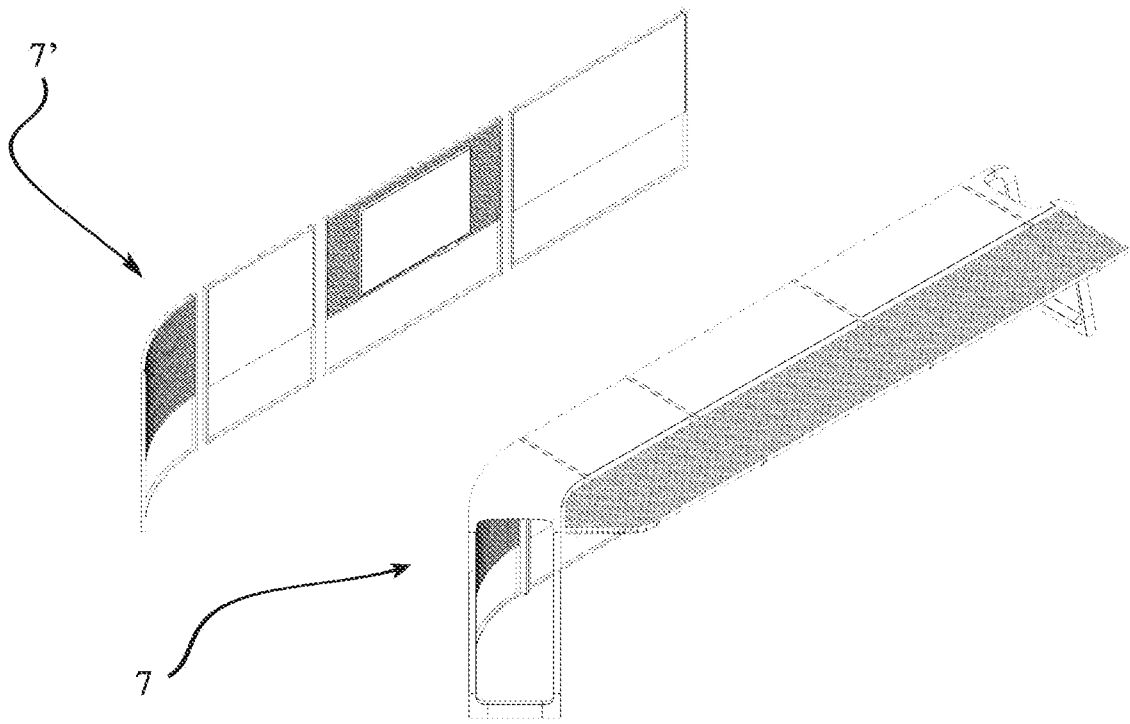


(e)

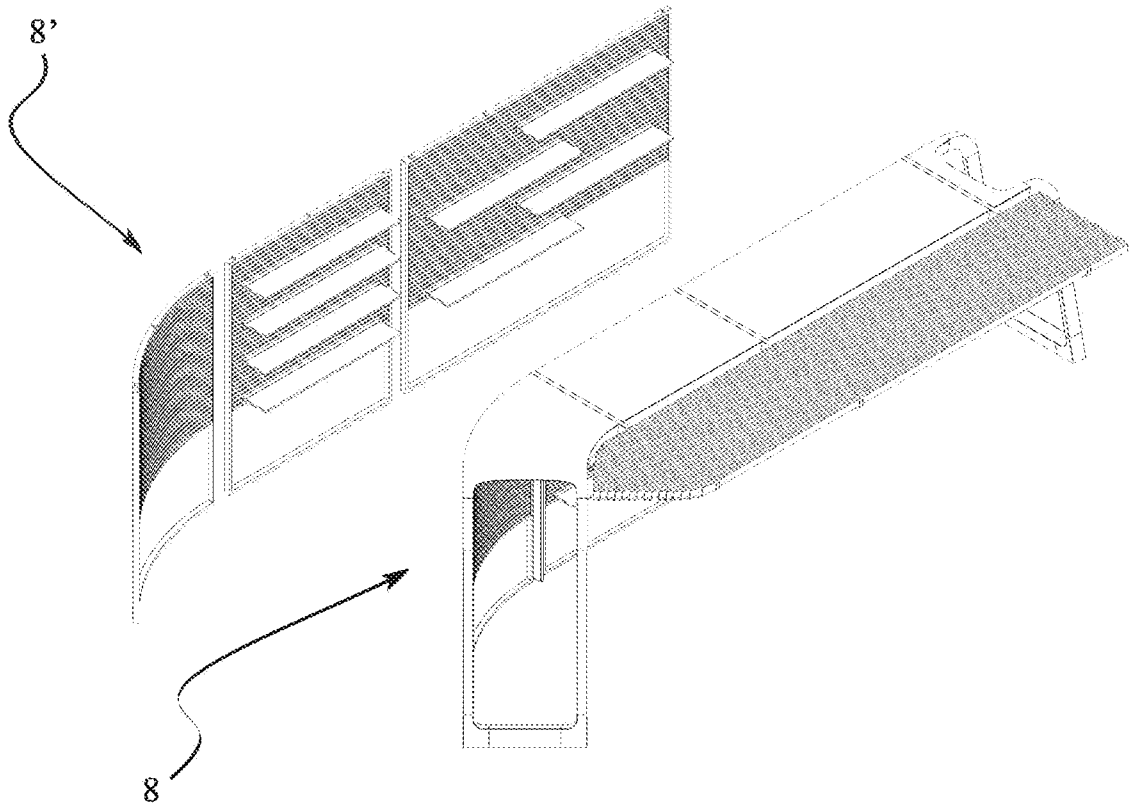


(f)

Fig. 1



(g)



(h)

Fig. 1

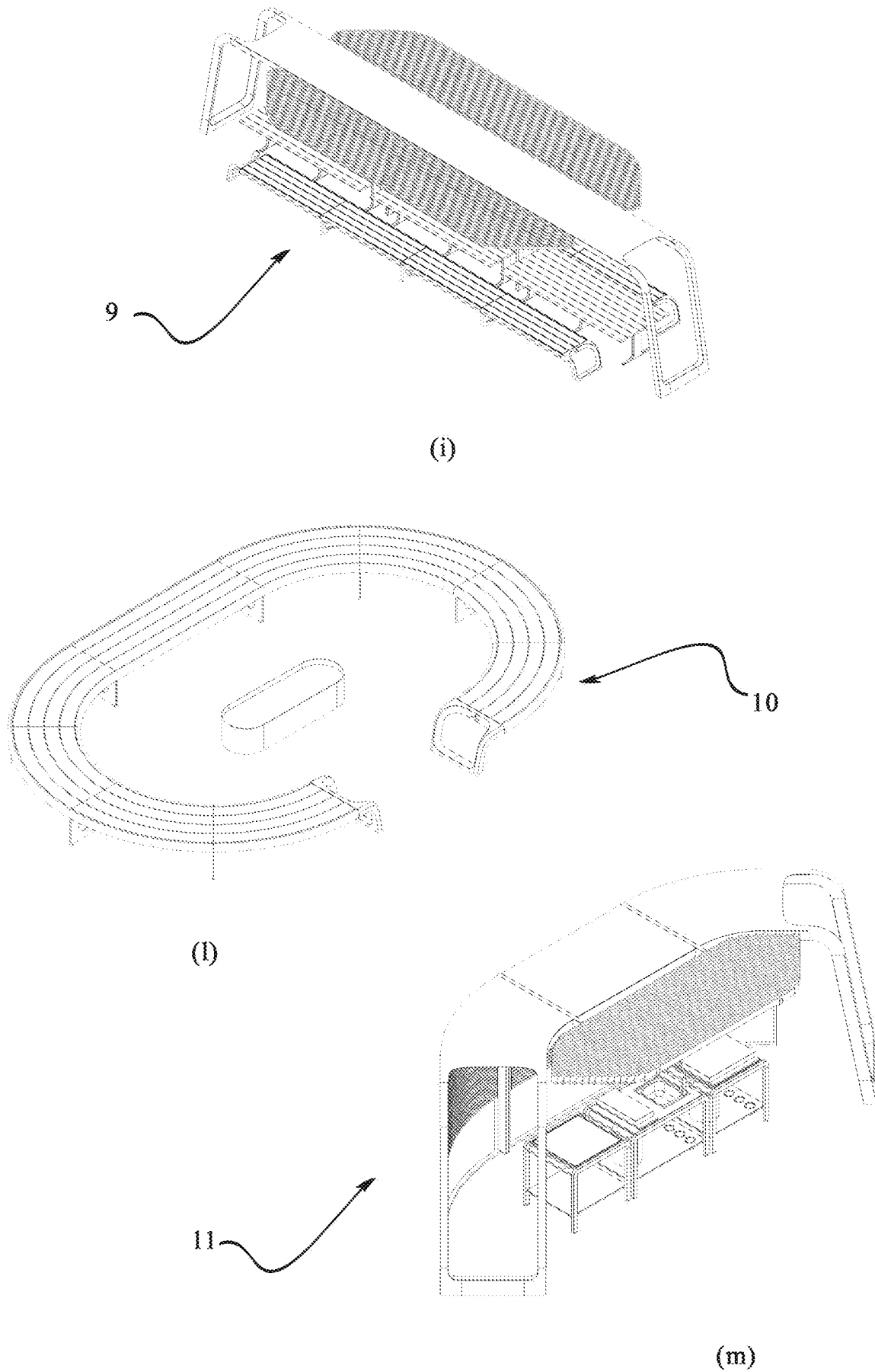


Fig. 1

INTERNATIONAL SEARCH REPORT

International application No
PCT/IB2020/053203

A. CLASSIFICATION OF SUBJECT MATTER
 INV. A47B83/00
 ADD. A47B11/00

According to International Patent Classification (IPC) or to both national classification and IPC

B. FIELDS SEARCHED

Minimum documentation searched (classification system followed by classification symbols)
 A47B E04H F24F G05B G06Q

Documentation searched other than minimum documentation to the extent that such documents are included in the fields searched

Electronic data base consulted during the international search (name of data base and, where practicable, search terms used)
 EPO-Internal, WPI Data

C. DOCUMENTS CONSIDERED TO BE RELEVANT

Category*	Citation of document, with indication, where appropriate, of the relevant passages	Relevant to claim No.
Y	US 2010/216100 A1 (BOBRYSEV MIROSLAV VALERJEVITSH [RU] ET AL) 26 August 2010 (2010-08-26) figures 8-9 paragraph [0037] - paragraph [0068] -----	1-10
Y	US 2018/188703 A1 (PATEL BHAVESH [US]) 5 July 2018 (2018-07-05) paragraph [0015] - paragraph [0043] -----	1-10

Further documents are listed in the continuation of Box C.

See patent family annex.

* Special categories of cited documents :

"A" document defining the general state of the art which is not considered to be of particular relevance	"T" later document published after the international filing date or priority date and not in conflict with the application but cited to understand the principle or theory underlying the invention
"E" earlier application or patent but published on or after the international filing date	"X" document of particular relevance; the claimed invention cannot be considered novel or cannot be considered to involve an inventive step when the document is taken alone
"L" document which may throw doubts on priority claim(s) or which is cited to establish the publication date of another citation or other special reason (as specified)	"Y" document of particular relevance; the claimed invention cannot be considered to involve an inventive step when the document is combined with one or more other such documents, such combination being obvious to a person skilled in the art
"O" document referring to an oral disclosure, use, exhibition or other means	"&" document member of the same patent family
"P" document published prior to the international filing date but later than the priority date claimed	

Date of the actual completion of the international search 12 May 2020	Date of mailing of the international search report 25/05/2020
--	--

Name and mailing address of the ISA/ European Patent Office, P.B. 5818 Patentlaan 2 NL - 2280 HV Rijswijk Tel. (+31-70) 340-2040, Fax: (+31-70) 340-3016	Authorized officer Ibarrondo, Borja
--	--

INTERNATIONAL SEARCH REPORT

Information on patent family members

International application No

PCT/IB2020/053203

Patent document cited in search report	Publication date	Patent family member(s)	Publication date	
US 2010216100	A1	26-08-2010	GB 2474088 A	06-04-2011
			US 2010216100 A1	26-08-2010
			WO 2008076002 A2	26-06-2008

US 2018188703	A1	05-07-2018	NONE	
