



US00D685752S

(12) **United States Design Patent**  
**Kimura et al.**

(10) **Patent No.:** **US D685,752 S**

(45) **Date of Patent:** **\*\* Jul. 9, 2013**

- (54) **SET-TOP BOX**
- (71) Applicant: **Panasonic Corporation**, Osaka (JP)
- (72) Inventors: **Toshiki Kimura**, Osaka (JP); **Kazuhiko Shibata**, Kyoto (JP)
- (73) Assignee: **Panasonic Corporation**, Osaka (JP)
- (\*\*) Term: **14 Years**
- (21) Appl. No.: **29/440,224**
- (22) Filed: **Dec. 20, 2012**
- (51) **LOC (9) Cl.** ..... **14-03**
- (52) **U.S. Cl.**  
USPC ..... **D14/125**
- (58) **Field of Classification Search**  
USPC ..... D14/125, 357-358, 496, 188, 242,  
D14/432; D13/184; 348/10, 460, 706, 731;  
340/825.03; 455/6.1, 6.2; 312/223.1, 7.2  
See application file for complete search history.

- D641,363 S \* 7/2011 Dublin ..... D14/356
- D646,272 S \* 10/2011 Woo et al. .... D14/365
- D647,896 S \* 11/2011 Chen et al. .... D14/314
- D648,722 S \* 11/2011 Meyerhoffer et al. .... D14/346
- D657,784 S \* 4/2012 Akana et al. .... D14/314
- D660,834 S \* 5/2012 Akana et al.
- D662,480 S \* 6/2012 Daniel ..... D14/125
- D666,563 S \* 9/2012 Lee ..... D14/125

\* cited by examiner

*Primary Examiner* — Randall Gholson

(74) *Attorney, Agent, or Firm* — Panasonic Patent Center

(57) **CLAIM**

The ornamental design for a set-top box, as shown and described.

**DESCRIPTION**

FIG. 1 is a perspective view of a set-top box of the present invention;  
 FIG. 2 is a front view thereof;  
 FIG. 3 is a rear view thereof;  
 FIG. 4 is a first side view thereof;  
 FIG. 5 is a second side view thereof;  
 FIG. 6 is a top view thereof; and,  
 FIG. 7 is a bottom view thereof.

The broken line showing of set-top box is included for the purpose of illustrating environment and forms no part of the claimed design. Additionally, the unevenly broken lines in the drawings define the limits of the claimed design.

**1 Claim, 7 Drawing Sheets**

- (56) **References Cited**  
U.S. PATENT DOCUMENTS  
D599,753 S \* 9/2009 Cho et al. .... D14/125  
D620,953 S \* 8/2010 Andre et al. .... D14/496  
D624,912 S \* 10/2010 Chen et al. .... D14/356  
D641,025 S \* 7/2011 Ohno ..... D14/502  
D641,327 S \* 7/2011 Falakfarsa et al. .... D14/125

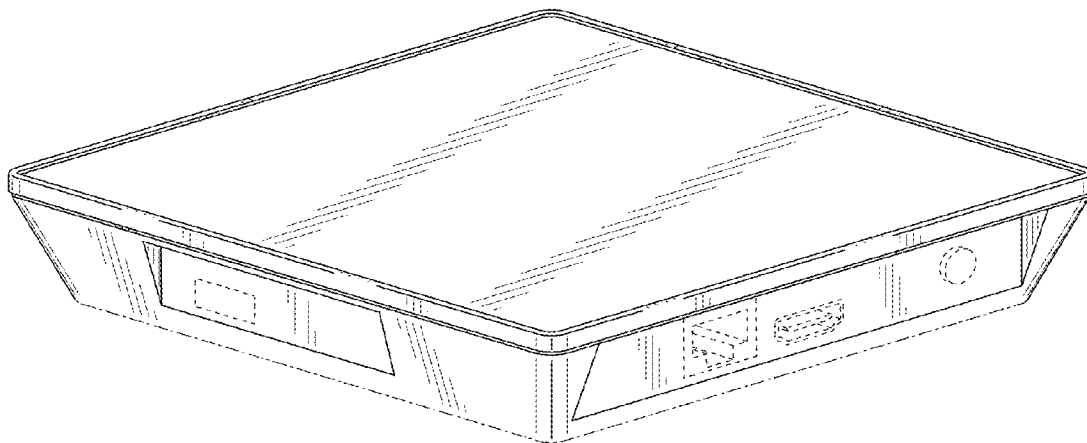


FIG. 1

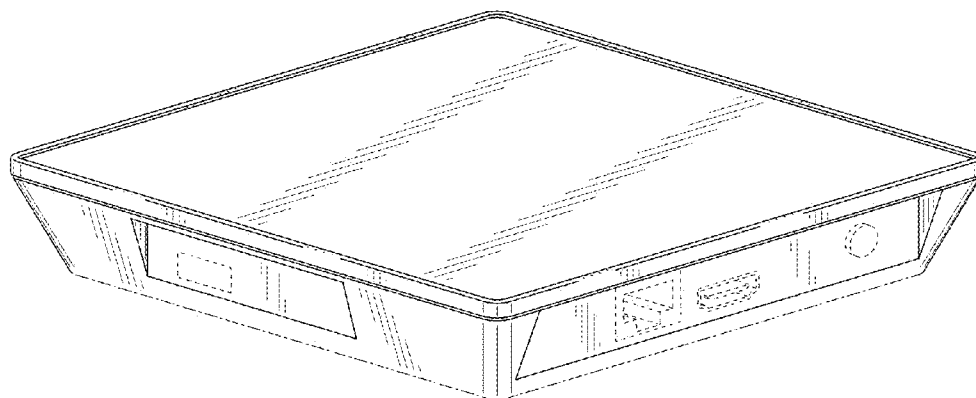


FIG. 2

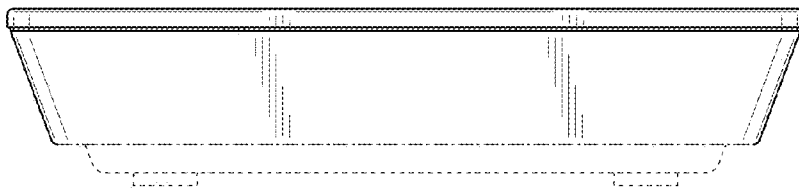


FIG. 3

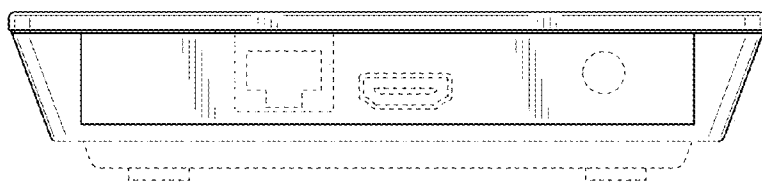


FIG. 4

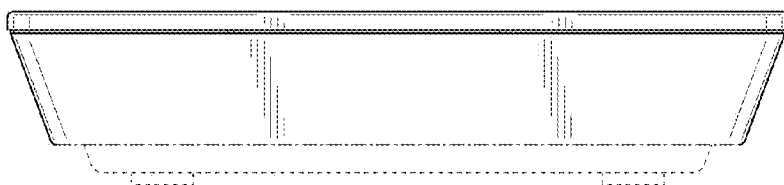


FIG. 5

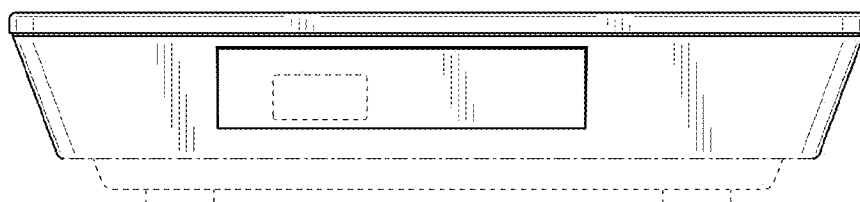


FIG. 6

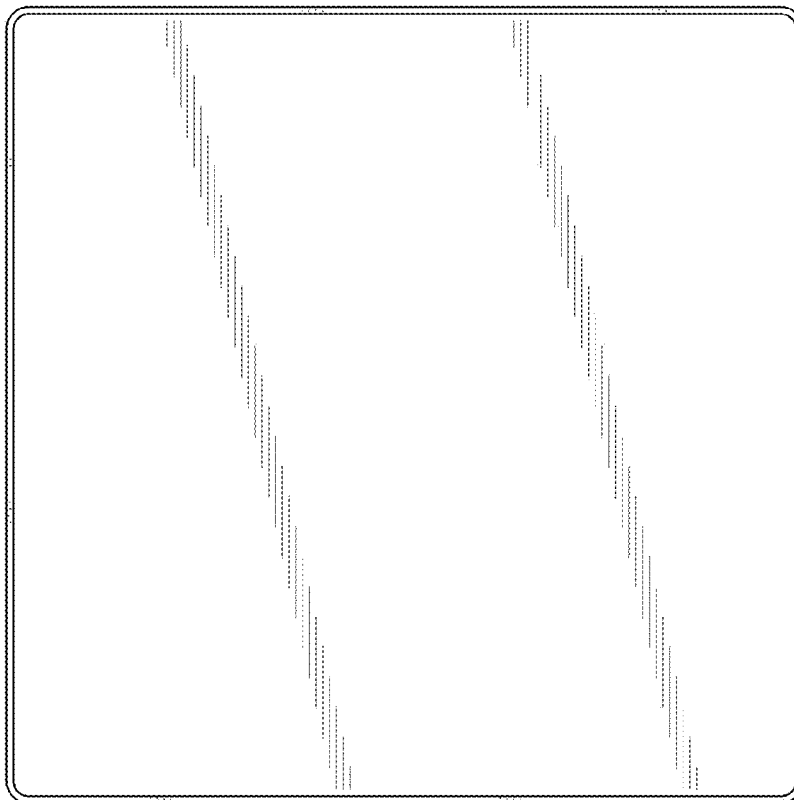


FIG. 7

