



US00D591908S

(12) **United States Design Patent**
Pacio

(10) **Patent No.:** **US D591,908 S**

(45) **Date of Patent:** **** May 5, 2009**

(54) **NAIL CLIPPERS**

(76) Inventor: **Edward Pacio**, 26931 Deerweed Trail,
Calabasas Hills, CA (US) 91301

(**) Term: **14 Years**

(21) Appl. No.: **29/322,920**

(22) Filed: **Aug. 14, 2008**

(51) **LOC (9) Cl.** **28-03**

(52) **U.S. Cl.** **D28/60**

(58) **Field of Classification Search** 30/26-29,
30/186; D28/56-60; 132/73-75.6
See application file for complete search history.

(56) **References Cited**

U.S. PATENT DOCUMENTS

D345,628 S	3/1994	Pacio	
D347,296 S *	5/1994	Adelman	D28/60
5,546,658 A *	8/1996	MacLeod et al.	30/28
D403,116 S *	12/1998	Ross	D28/60
D523,175 S *	6/2006	Kriser	D28/60

D546,502 S *	7/2007	Lund et al.	D28/60
D562,499 S *	2/2008	Park	D28/60

* cited by examiner

Primary Examiner—Jennifer Rivard
(74) *Attorney, Agent, or Firm*—Kelly, Lowry & Kelley, LLP

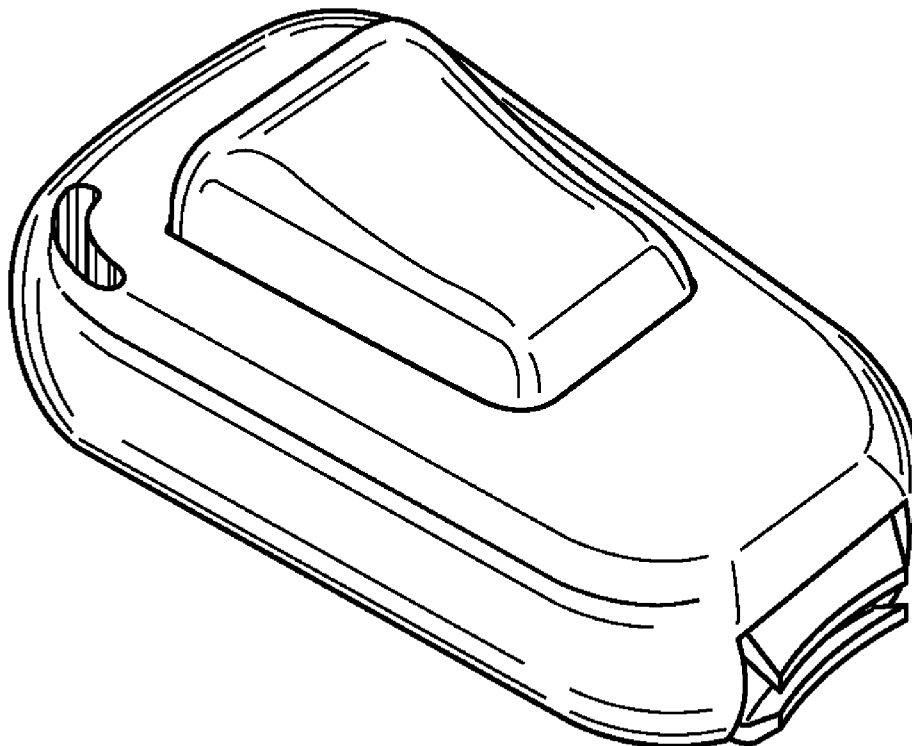
(57) **CLAIM**

The ornamental design for nail clippers, as shown.

DESCRIPTION

FIG. 1 is a top, front and right-side perspective view of nail clippers embodying my new design;
FIG. 2 is a front elevational view thereof;
FIG. 3 is a rear elevational view thereof;
FIG. 4 is left-side elevational view thereof;
FIG. 5 is a right-side elevational view thereof;
FIG. 6 is a top plan view thereof; and,
FIG. 7 is a bottom plan view thereof.

1 Claim, 1 Drawing Sheet



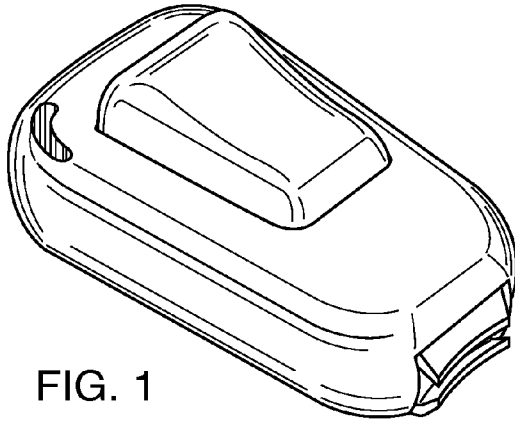


FIG. 1

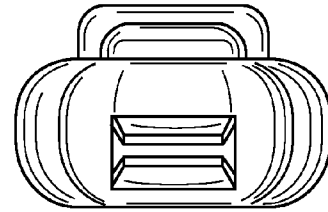


FIG. 2

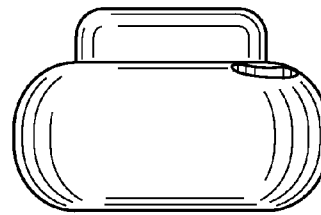


FIG. 3

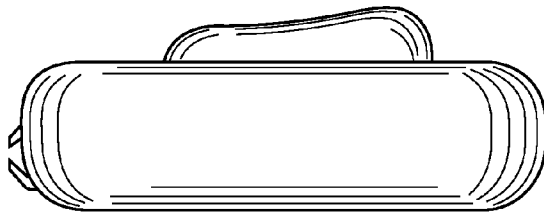


FIG. 4

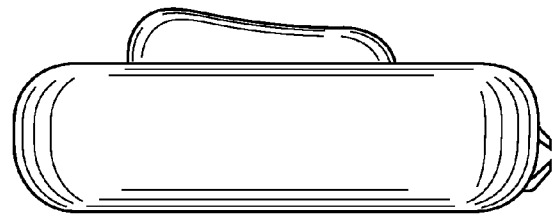


FIG. 5

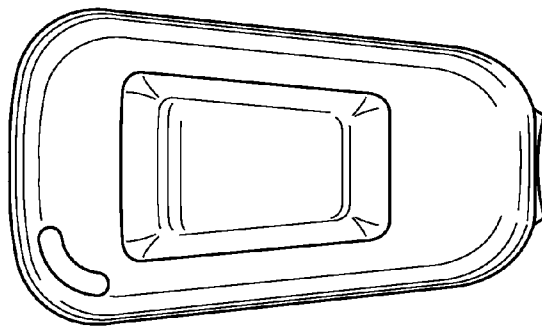


FIG. 6

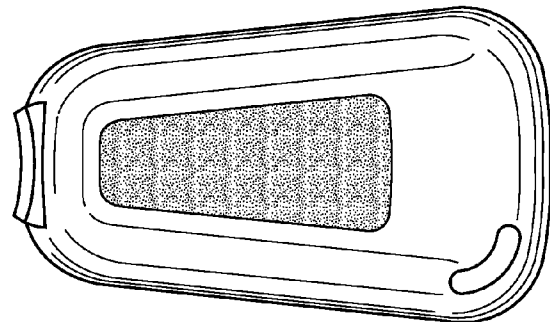


FIG. 7