



US00D996507S

(12) **United States Design Patent**
Zhang

(10) **Patent No.:** **US D996,507 S**

(45) **Date of Patent:** **** Aug. 22, 2023**

(54) **SELFIE STICK**

OTHER PUBLICATIONS

(71) Applicant: **SHENZHEN LIANGDIANPAI TECHNOLOGY CO., LTD.**, Shenzhen (CN)

Enkarl Selfie Stick Tripod with Light, Amazon.com, <https://www.amazon.com/Enkarl-Bluetooth-Portable-Extendable-Stainless/dp/B08LGG78TQ>, Oct. 20, 2020 (Year: 2020).*

(72) Inventor: **Desheng Zhang**, Shenzhen (CN)

Primary Examiner — Richard Kearney
Assistant Examiner — Benjamin M Weeks

(73) Assignee: **SHENZHEN LIANGDIANPAI TECHNOLOGY CO., LTD.**, Shenzhen (CN)

(57) **CLAIM**

(**) Term: **15 Years**

The ornamental design for a selfie stick, as shown and described.

(21) Appl. No.: **29/796,390**

DESCRIPTION

(22) Filed: **Jun. 24, 2021**

(30) **Foreign Application Priority Data**

Dec. 31, 2020 (CN) 202030824563.9

(51) **LOC (14) Cl.** **16-05**

(52) **U.S. Cl.**
USPC **D16/243**

(58) **Field of Classification Search**

USPC D14/224, 229, 238, 251, 253, 447, 451, D14/457; D16/219, 237–250

CPC G03B 17/04; G03B 17/56; G03B 17/561–566; A45F 2200/0533; A45F 5/00; A45F 5/10

See application file for complete search history.

FIG. 1 is a perspective view of a selfie stick showing my new design;

FIG. 2 is another perspective view thereof;

FIG. 3 is a front elevational view thereof;

FIG. 4 is a rear elevational view thereof;

FIG. 5 is a left side elevational view thereof;

FIG. 6 is a right side elevational view thereof;

FIG. 7 is a top plan view thereof;

FIG. 8 is a bottom plan view thereof;

FIG. 9 is a perspective view of the selfie stick where the selfie stick is in a first configuration of use;

FIG. 10 is another perspective view thereof;

FIG. 11 is a front elevational view thereof;

FIG. 12 is a rear elevational view thereof;

FIG. 13 is a left side elevational view thereof;

FIG. 14 is a right side elevational view thereof;

FIG. 15 is a top plan view thereof;

FIG. 16 is a bottom plan view thereof;

FIG. 17 is a perspective view of the selfie stick where the selfie stick is in a second configuration of use; and,

FIG. 18 is an enlarged view of portion 18 shown in FIG. 9.

The dash-dash broken lines in the drawings depict portions of the selfie stick that form no part of the claimed design.

The long dash-short dash broken lines depict areas of enlargement and form no part of the claimed design.

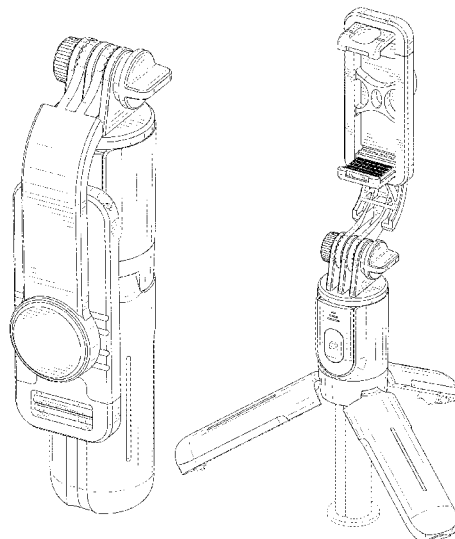
(56) **References Cited**

U.S. PATENT DOCUMENTS

D822,092 S *	7/2018	Bergman	F16M 11/041
				D16/244
D822,754 S *	7/2018	Fang	D14/253
D877,233 S *	3/2020	Li	D14/253
D921,096 S *	6/2021	Chen	D16/244
D956,855 S *	7/2022	Deng	D16/243
D967,238 S *	10/2022	Xu	D16/237

(Continued)

1 Claim, 18 Drawing Sheets



(56)

References Cited

U.S. PATENT DOCUMENTS

D971,305 S * 11/2022 Deng D16/244
D973,128 S * 12/2022 Wang D16/244
2018/0031951 A1 * 2/2018 Wang F16M 13/04
2019/0214925 A1 * 7/2019 Wei F16M 11/041
2021/0368970 A1 * 12/2021 Xu F16M 11/28
2022/0116543 A1 * 4/2022 Jiang G03B 17/563
2022/0316649 A1 * 10/2022 Tang F16M 11/10

* cited by examiner

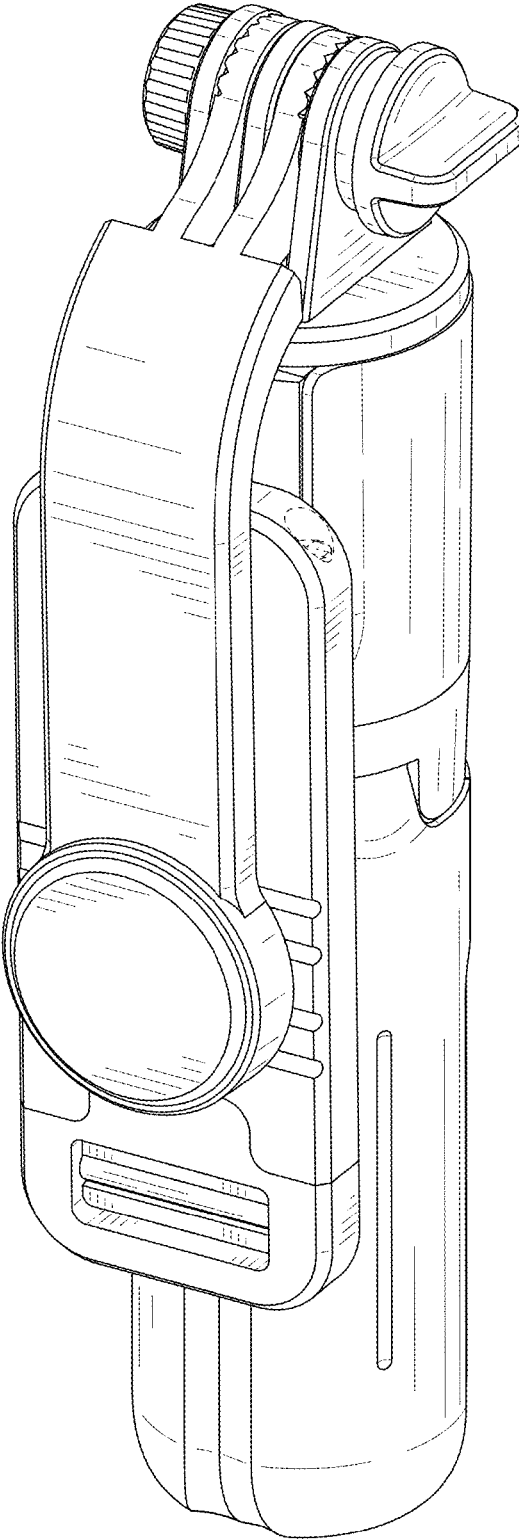


FIG. 1

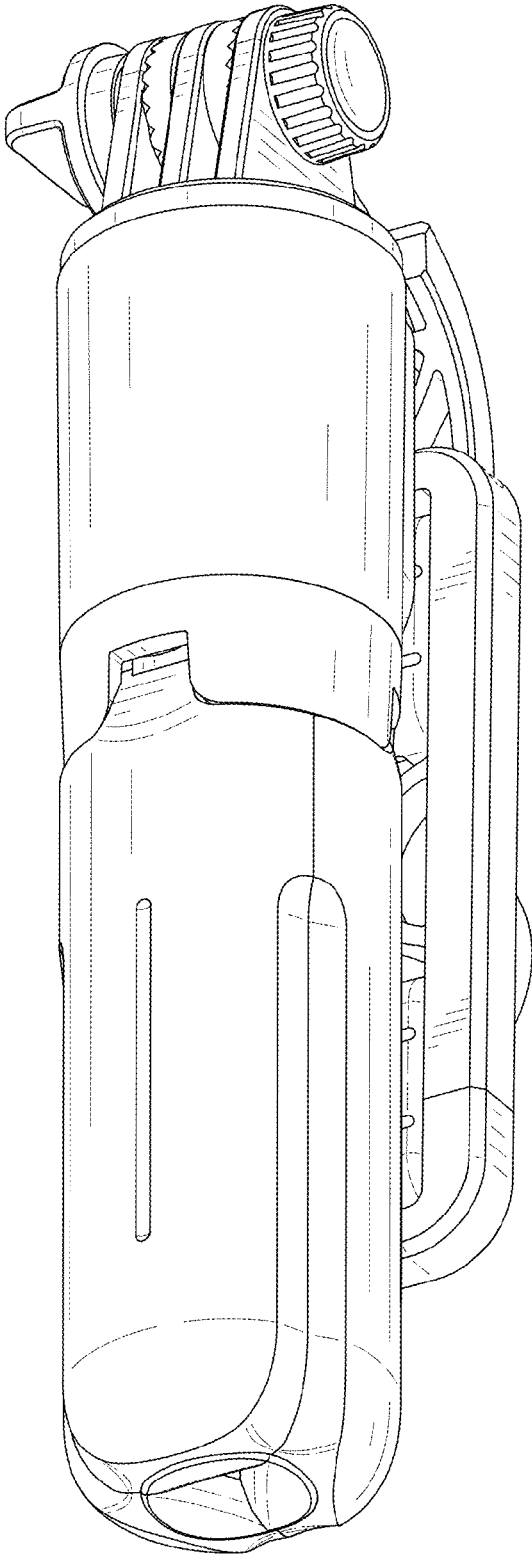


FIG. 2

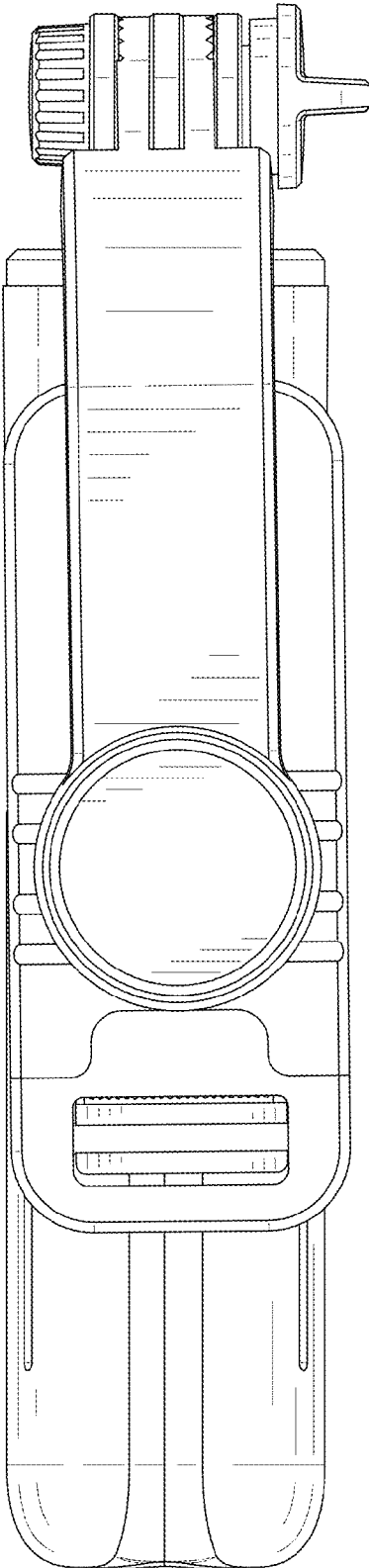


FIG. 3

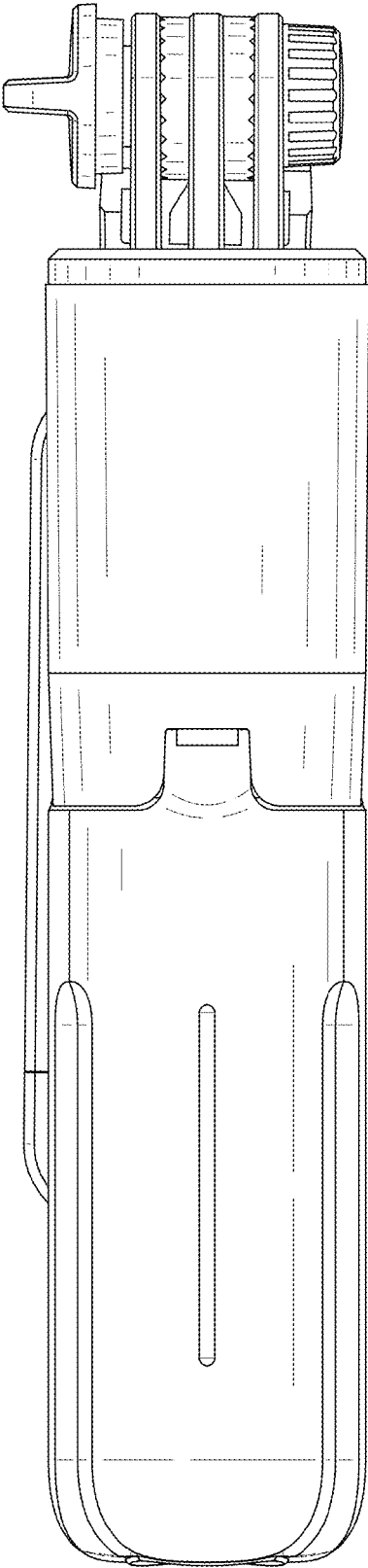


FIG. 4

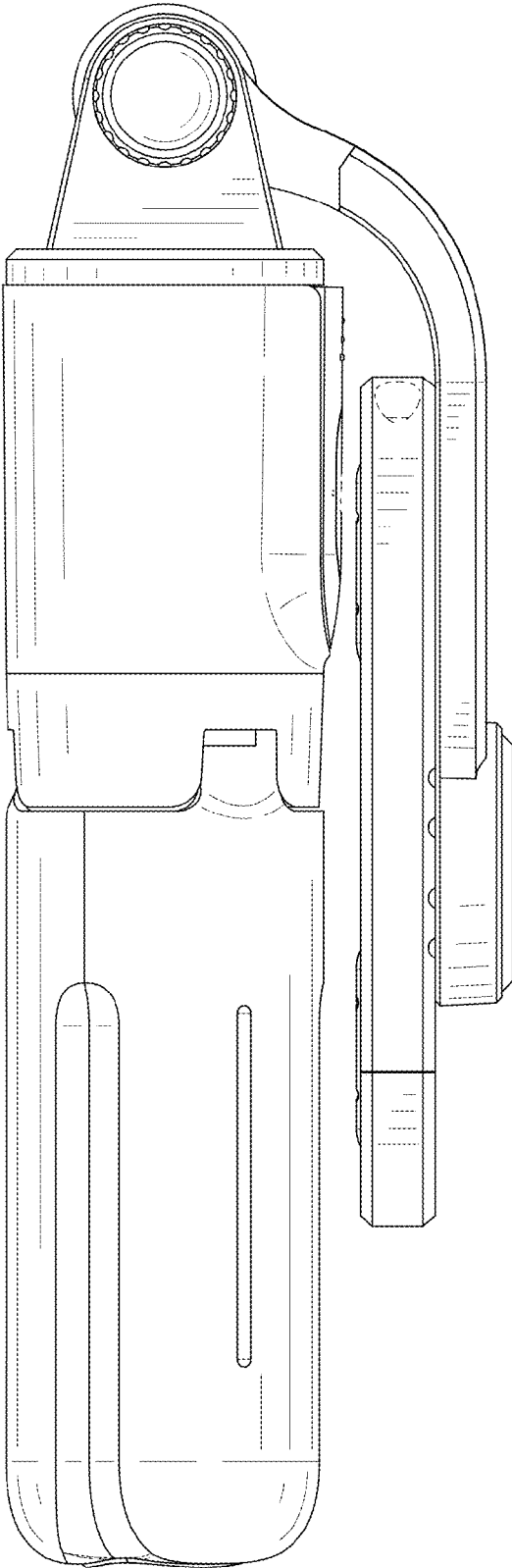


FIG. 5

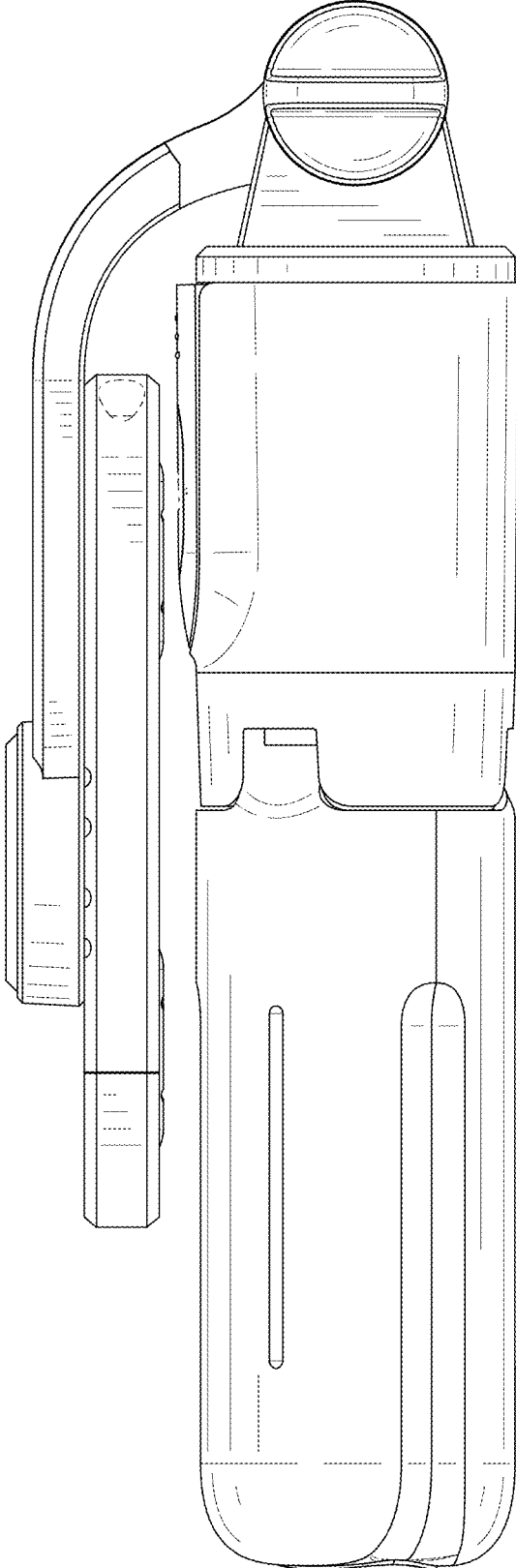


FIG. 6

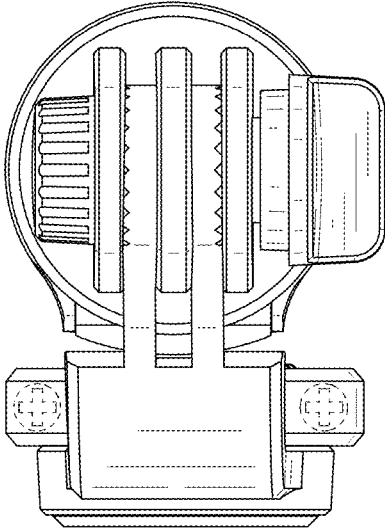


FIG. 7

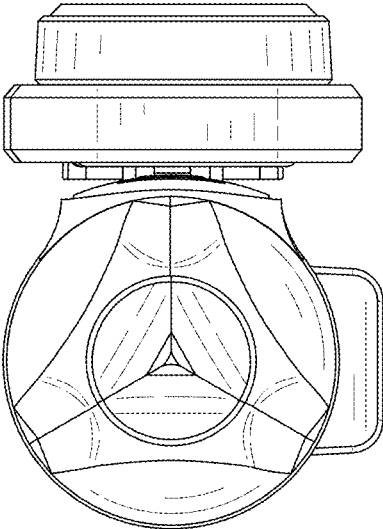


FIG. 8

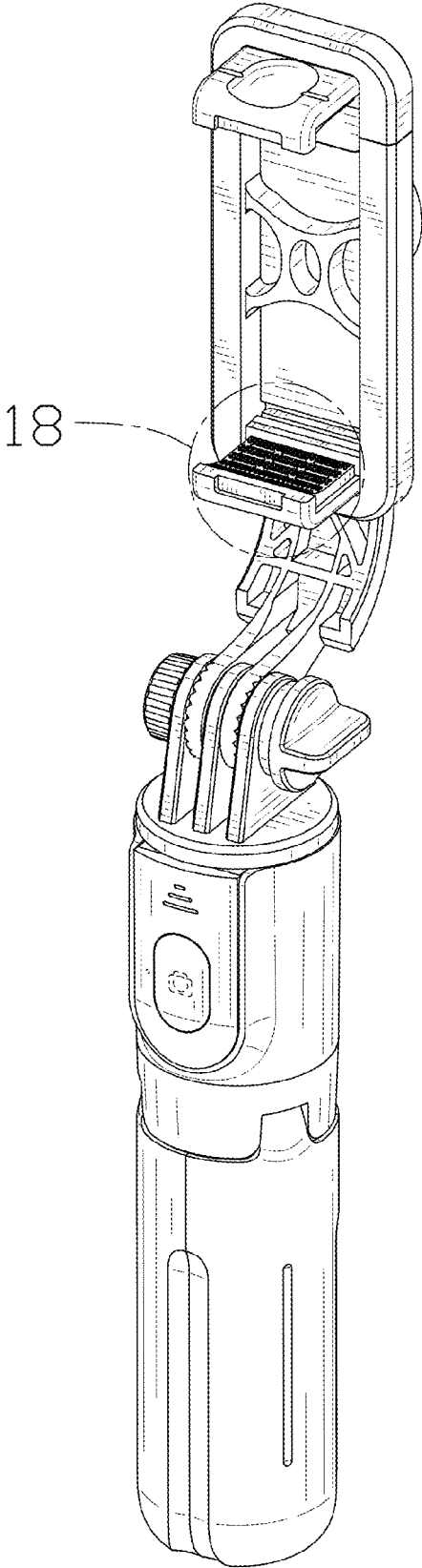


FIG. 9

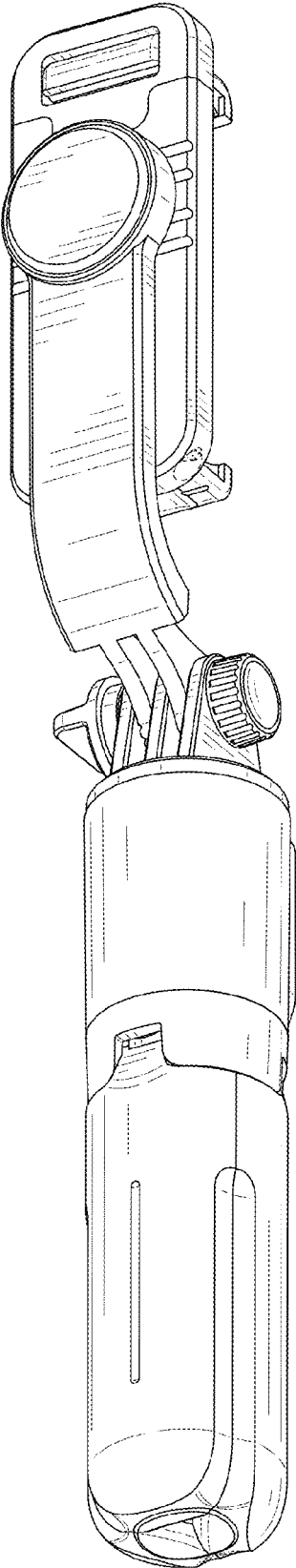


FIG. 10

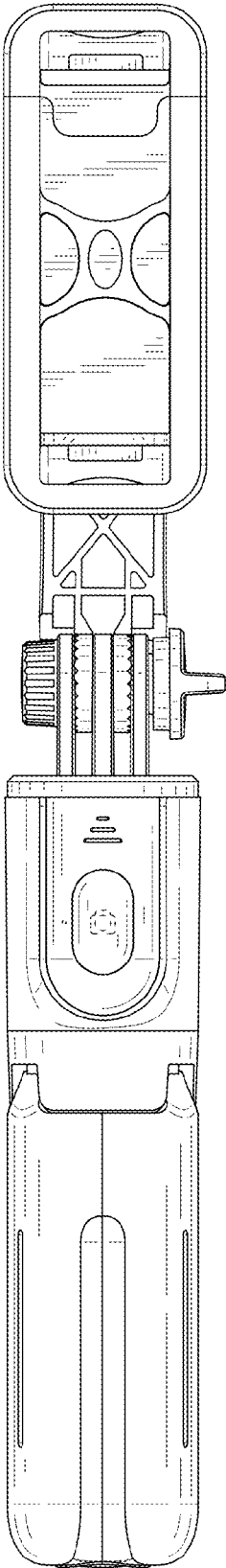


FIG. 11

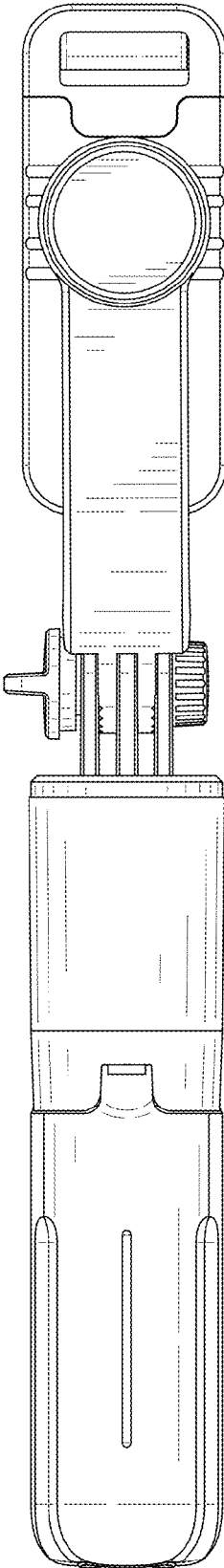


FIG. 12

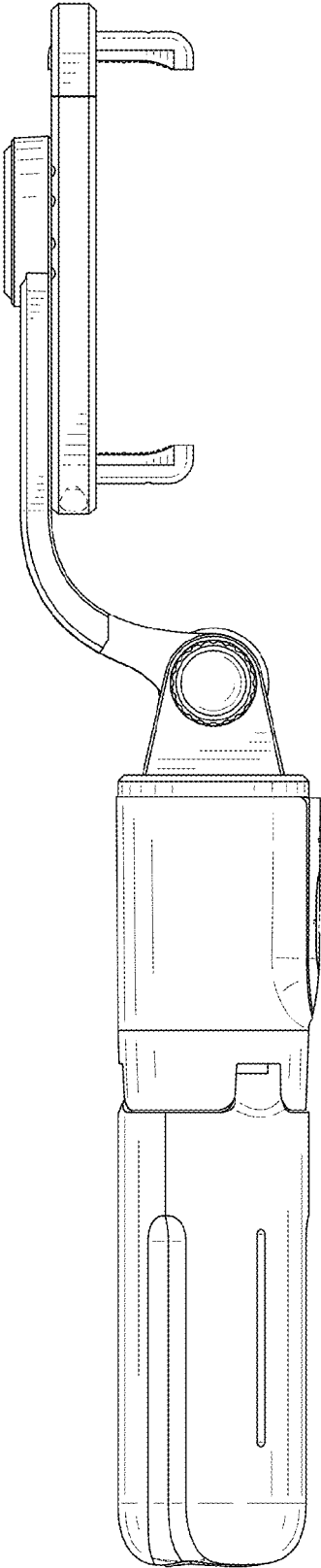


FIG. 13

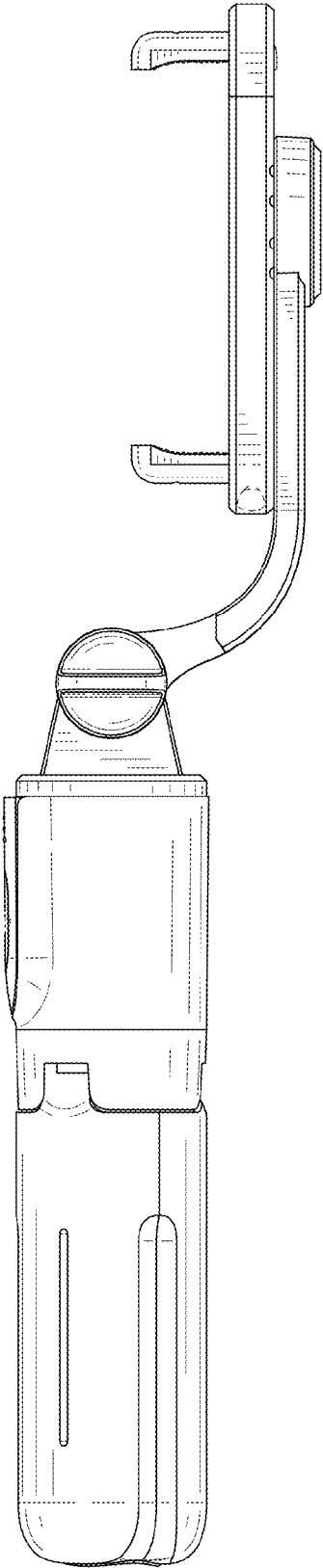


FIG. 14

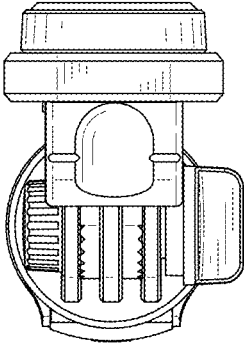


FIG. 15

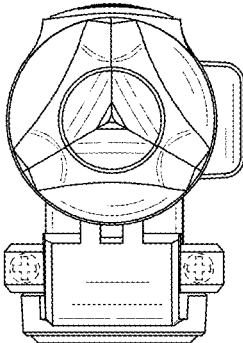


FIG. 16

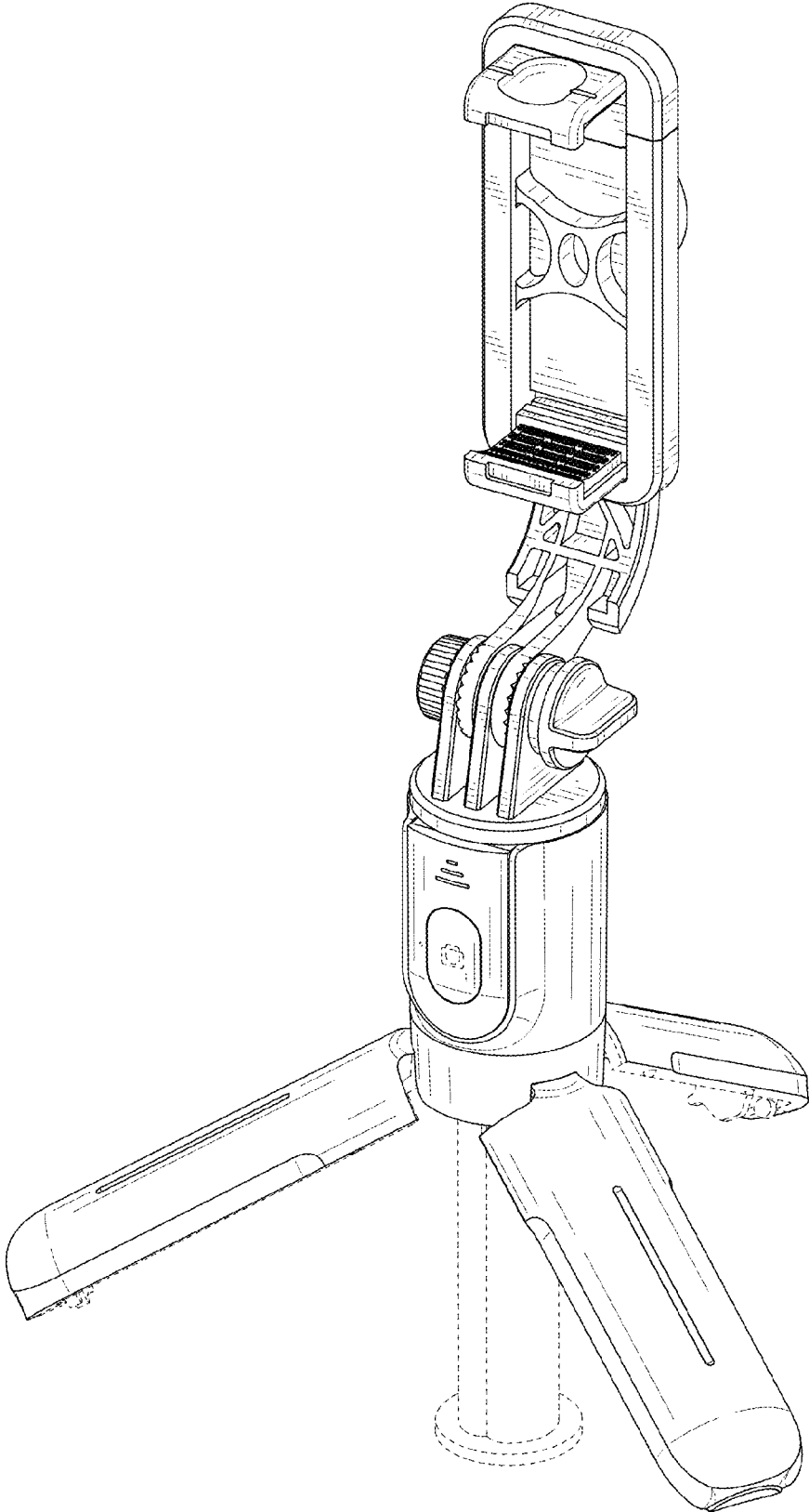


FIG. 17

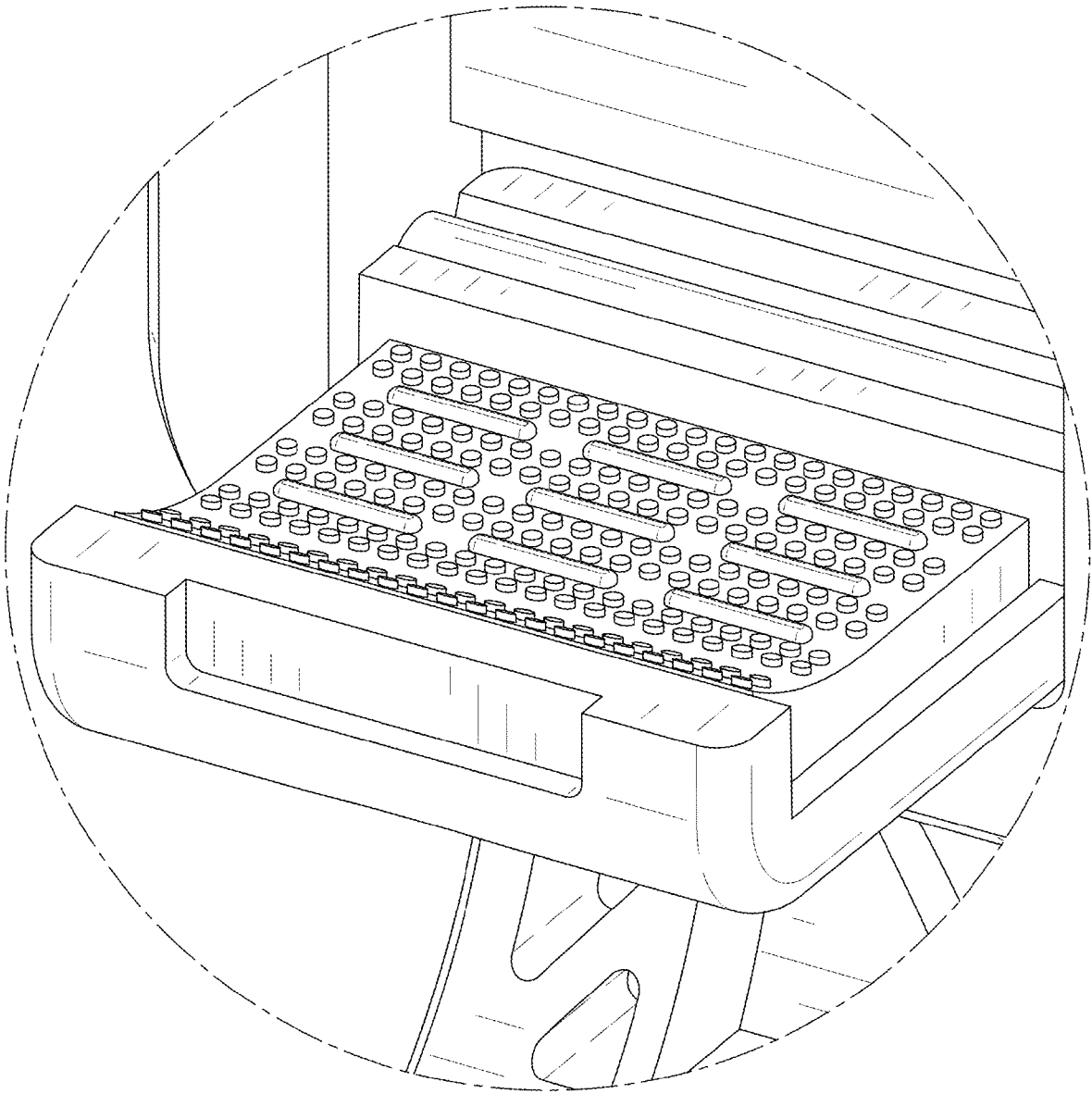


FIG. 18