

FIG. 1


ROBIN MARK GROSER
of GROSER & GROSER
AGENT FOR THE APPLICANTS

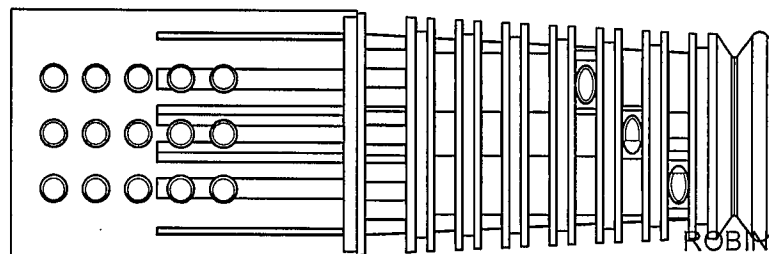
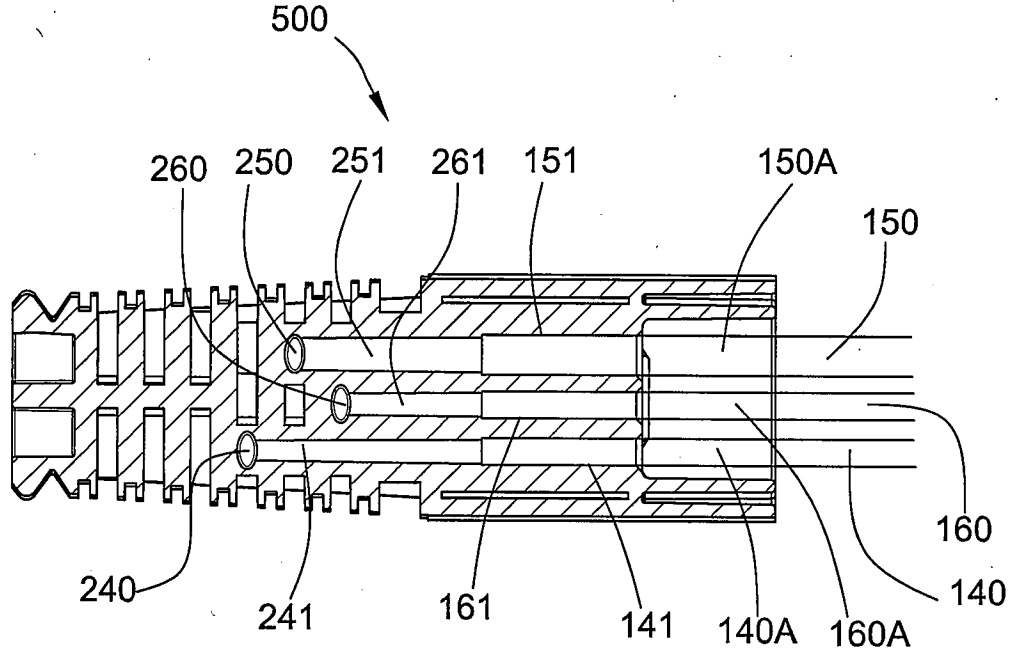
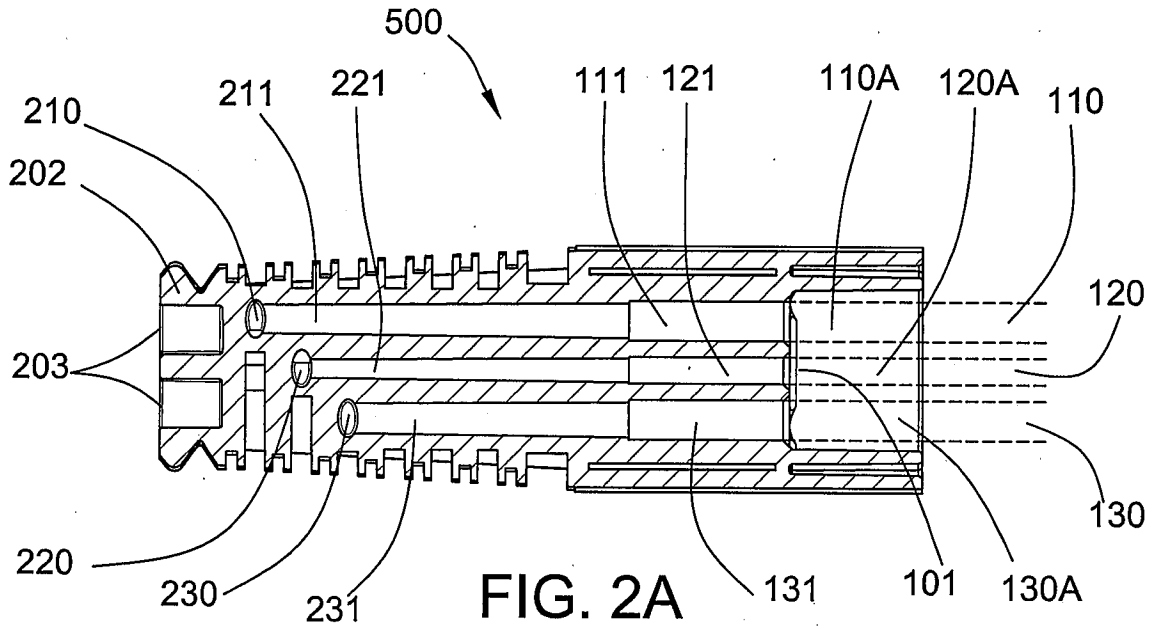
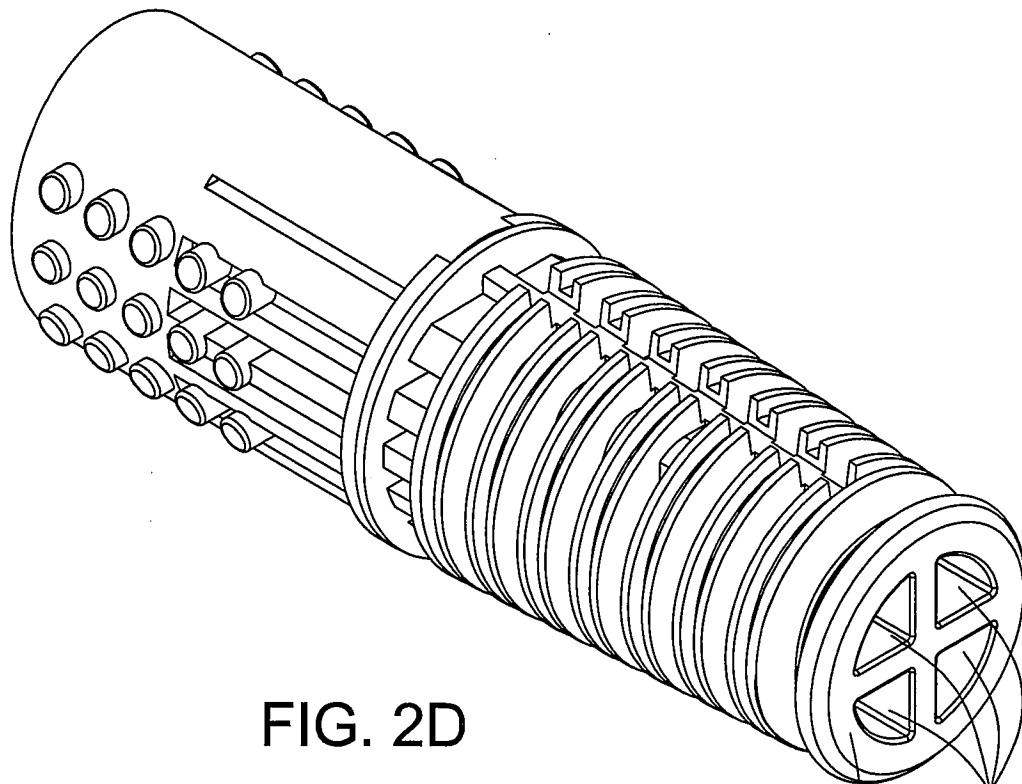


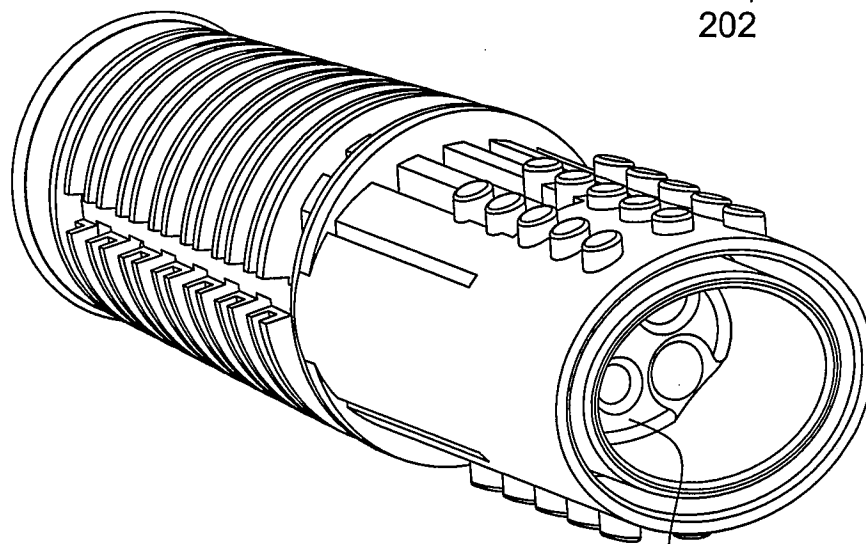
FIG. 2C

Robin Mark Groser
ROBIN MARK GROSER
of GROSER & GROSER
AGENT FOR THE APPLICANTS



203

202



101


ROBIN MARK GROSER
of GROSER & GROSER
AGENT FOR THE APPLICANTS

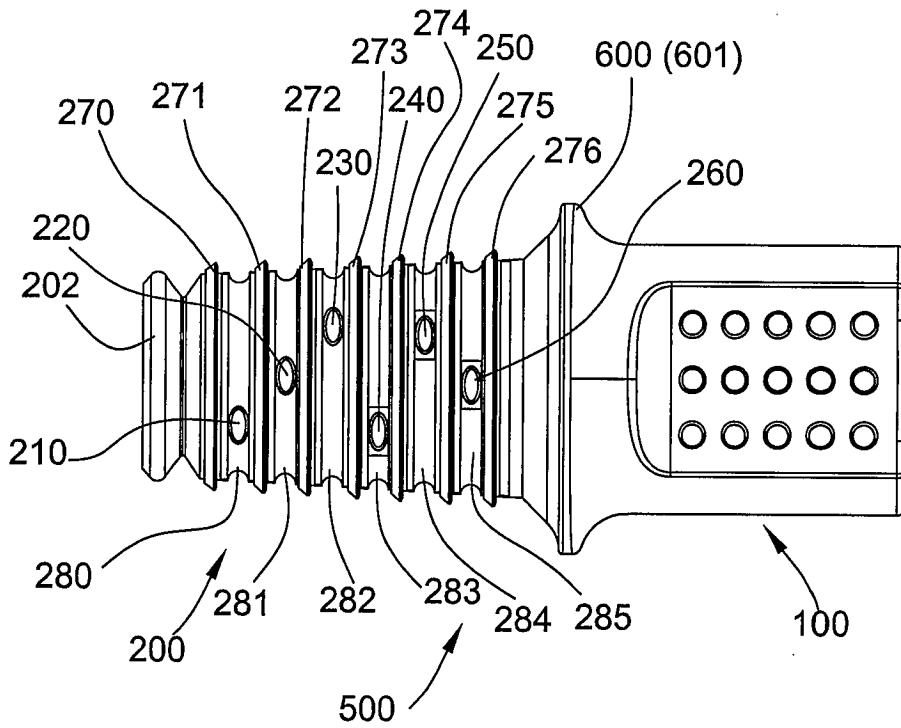


FIG. 3B

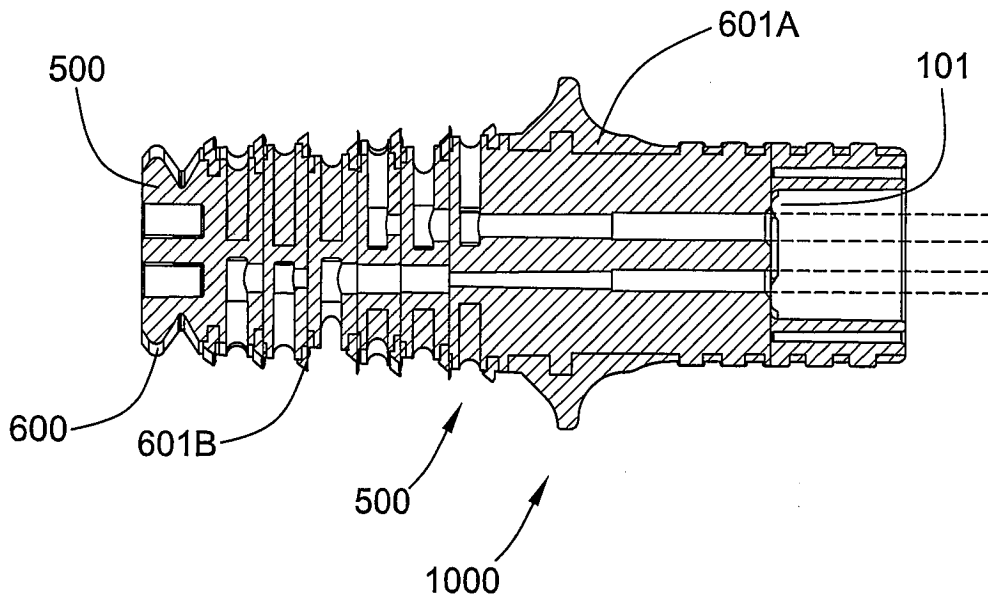


FIG. 3A


ROBIN MARK GROSER
of GROSER & GROSER
AGENT FOR THE APPLICANTS

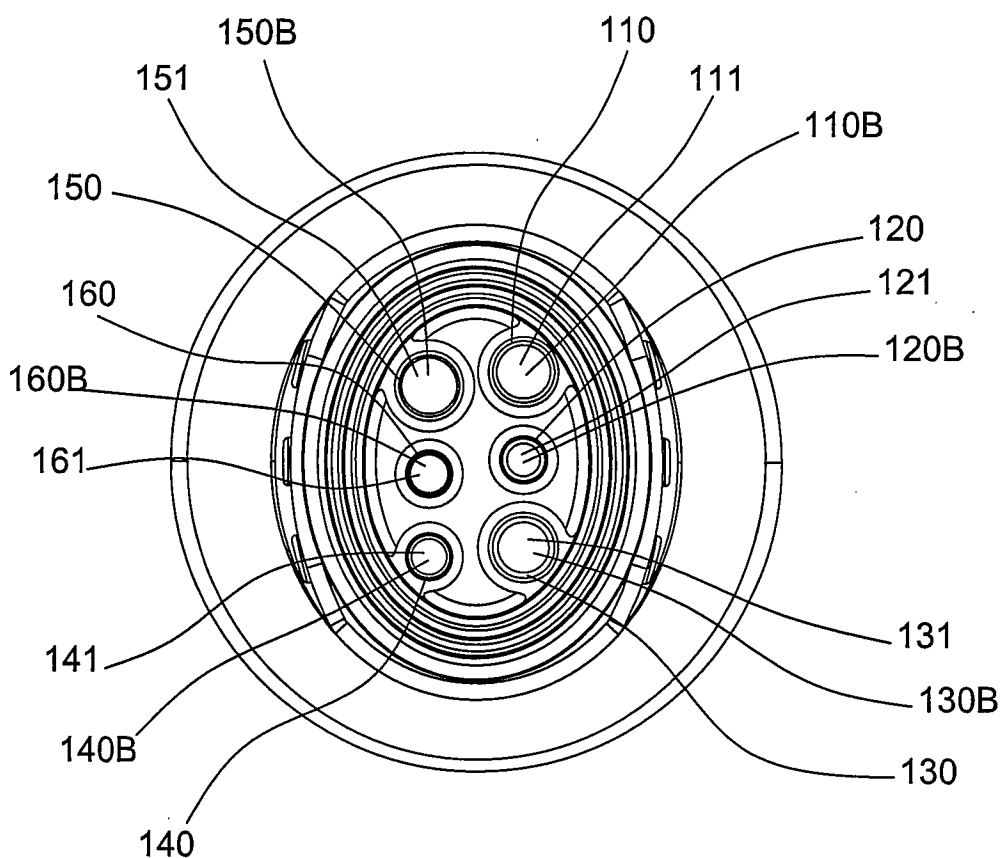


FIG. 3C


ROBIN MARK GROSER
of GROSER & GROSER
AGENT FOR THE APPLICANTS

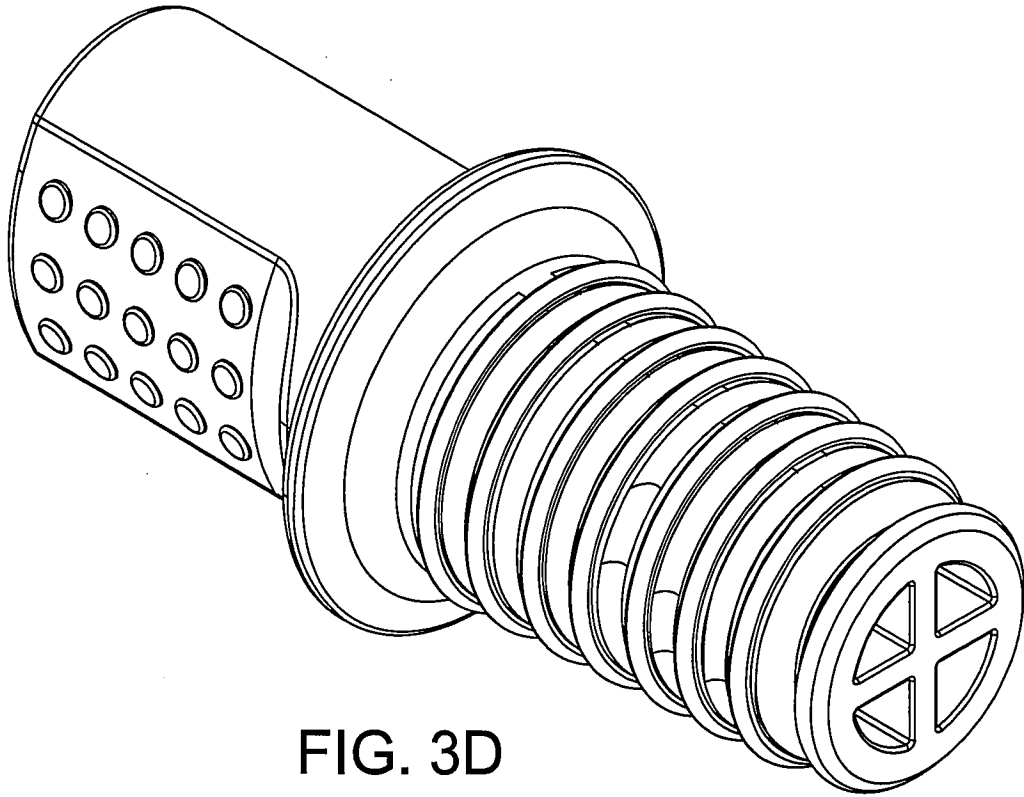


FIG. 3D

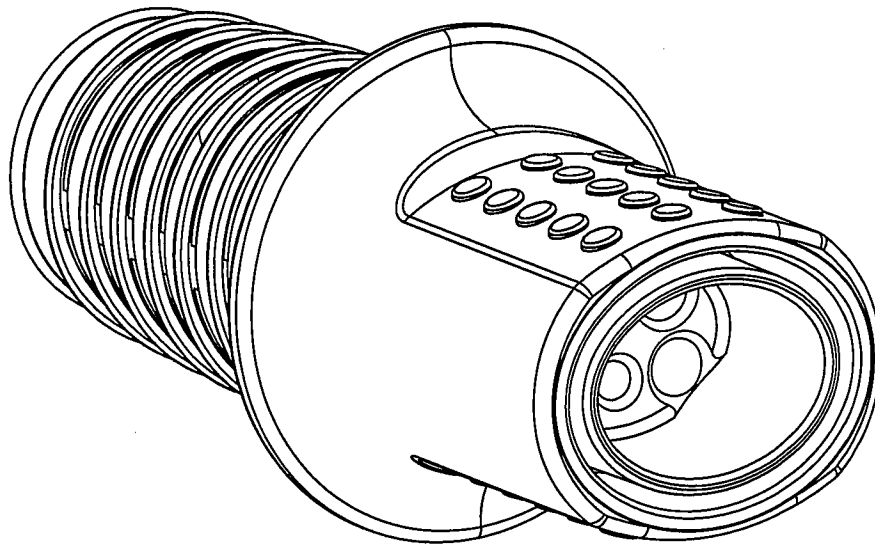


FIG. 3E


ROBIN MARK GROSER
of GROSER & GROSER
AGENT FOR THE APPLICANTS

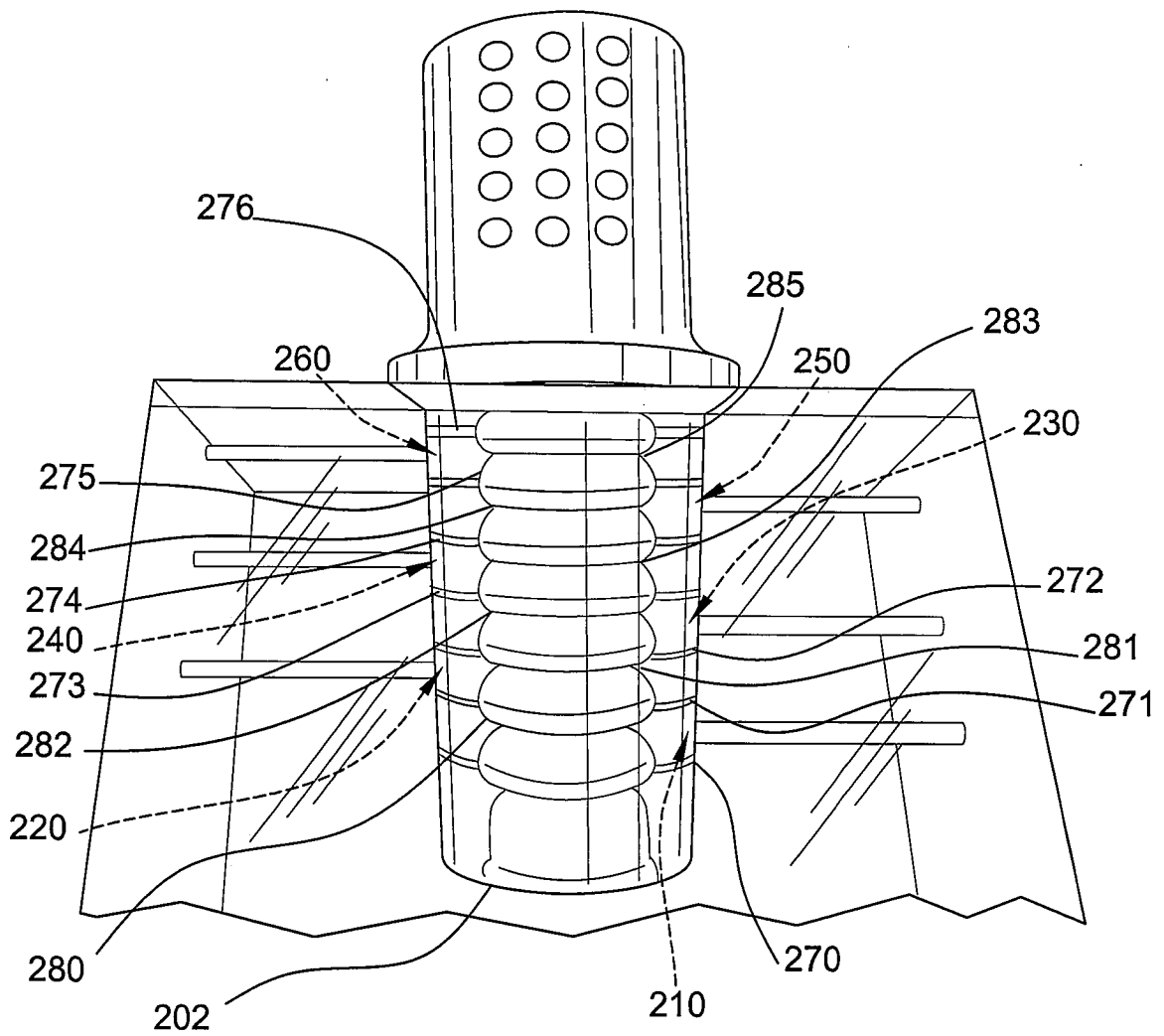


FIG. 4


ROBIN MARK GROSER
of GROSER & GROSER
AGENT FOR THE APPLICANTS

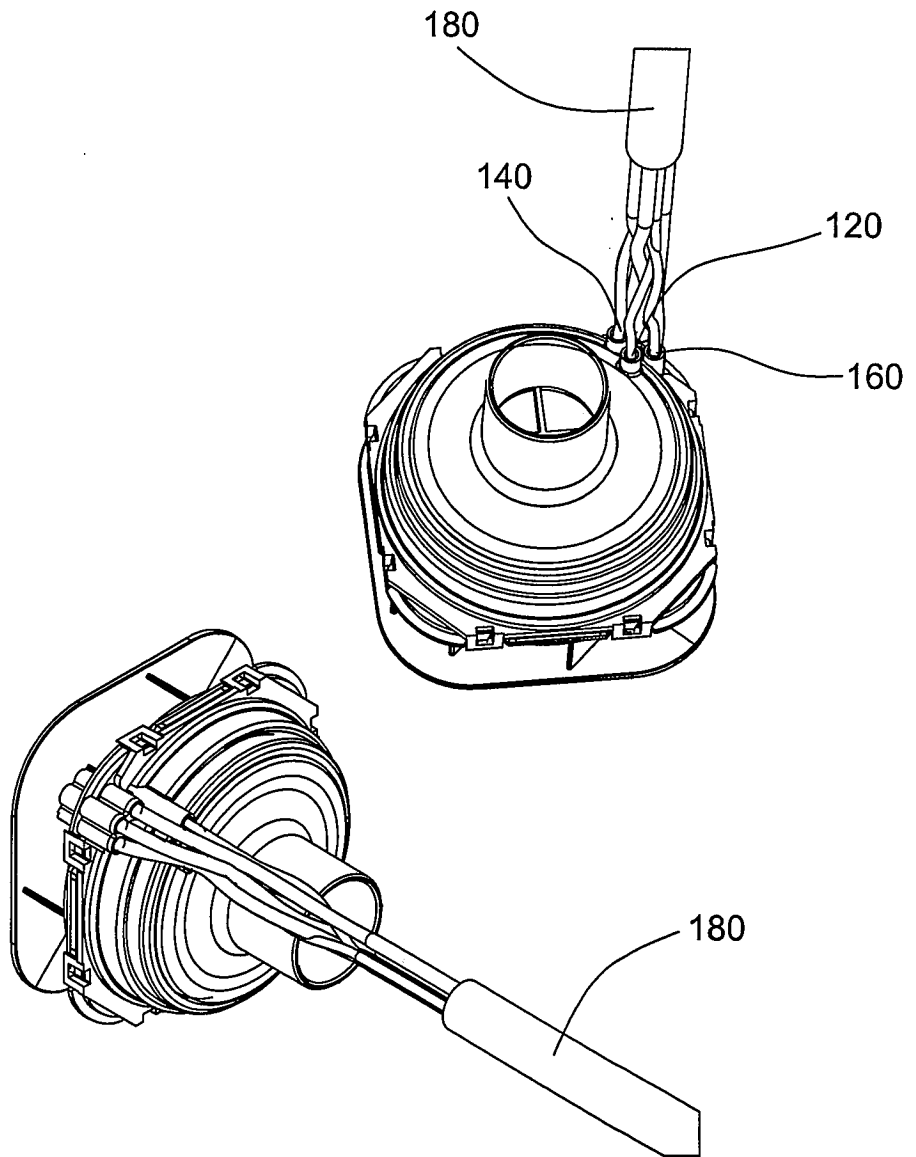


FIG. 5A


ROBIN MARK GROSER
of GROSER & GROSER
AGENT FOR THE APPLICANTS

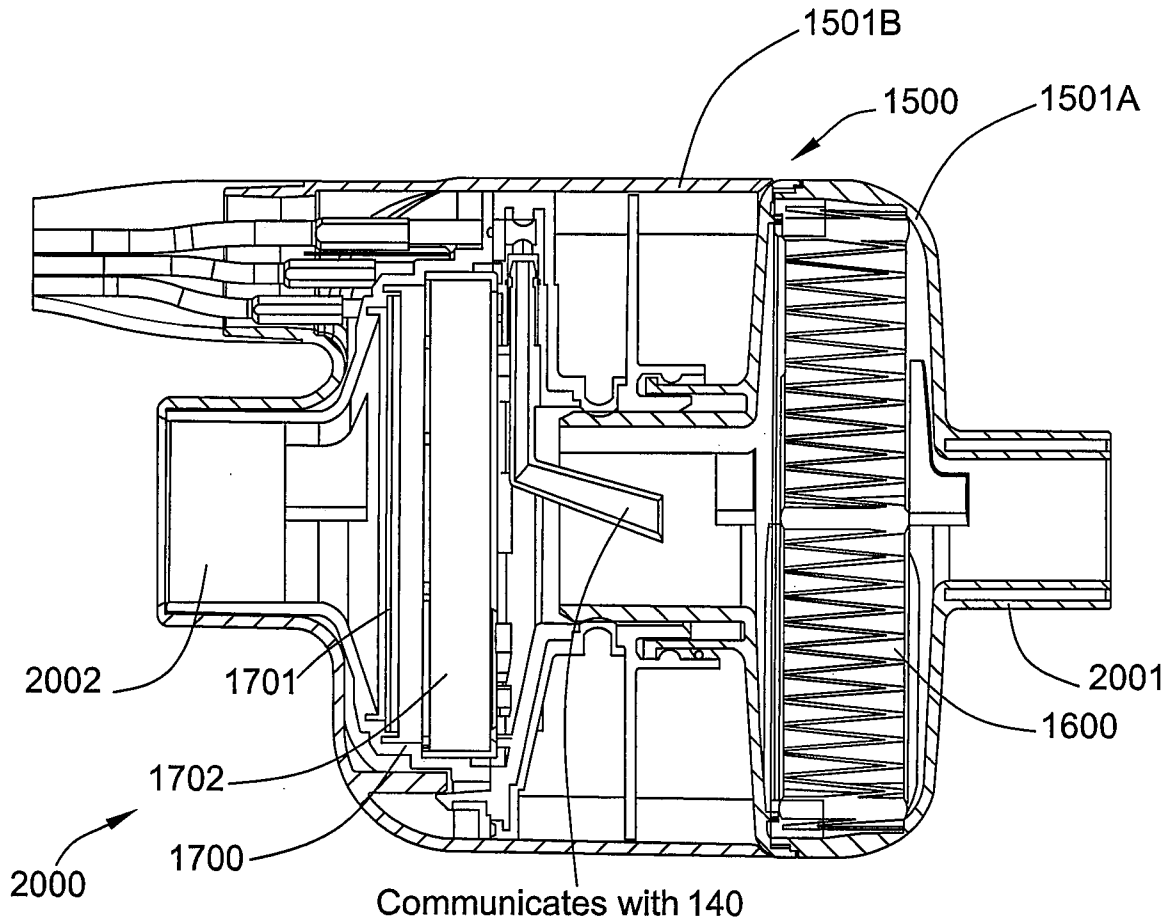


FIG. 5B


ROBIN MARK GROSER
of GROSER & GROSER
AGENT FOR THE APPLICANTS

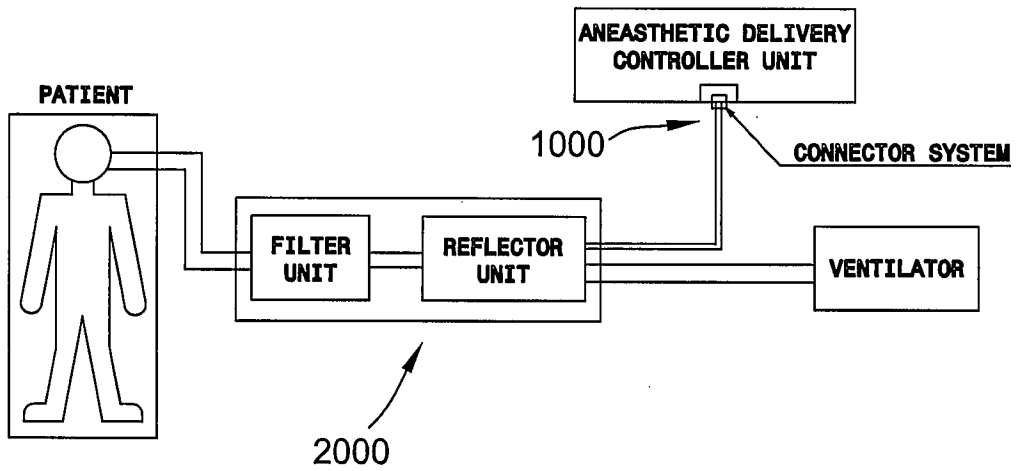



FIG. 6


ROBIN MARK GROSER
of GROSER & GROSER
AGENT FOR THE APPLICANTS