

(19) World Intellectual Property Organization
International Bureau



(43) International Publication Date
2 September 2010 (02.09.2010)

(10) International Publication Number
WO 2010/099178 A3

- (51) **International Patent Classification:**
G09G 3/20 (2006.01) *G09F 9/30* (2006.01)
- (21) **International Application Number:**
PCT/US2010/025202
- (22) **International Filing Date:**
24 February 2010 (24.02.2010)
- (25) **Filing Language:** English
- (26) **Publication Language:** English
- (30) **Priority Data:**
61/155,100 24 February 2009 (24.02.2009) US
- (71) **Applicant (for all designated States except US):** MANUFACTURING RESOURCES INTERNATIONAL, INC. [US/US]; 1600 Union Hill Road, Alpharetta, GA 30005 (US).
- (72) **Inventors; and**
- (75) **Inventors/Applicants (for US only):** DUNN, William [US/US]; 1600 Union Hill Road, Alpharetta, GA 30005 (US). FRASCHILLA, Gerald [US/US]; 1600 Union Hill Road, Alpharetta, GA 30005 (US). DE LAET, Rick [US/US]; 1600 Union Hill Road, Alpharetta, GA 30005 (US).
- (74) **Agents:** STANDLEY, Jeffrey, S. et al.; Standley Law Group LLP, 6300 Riverside Drive, Dublin, OH 43017 (US).
- (81) **Designated States (unless otherwise indicated, for every kind of national protection available):** AE, AG, AL, AM,

AO, AT, AU, AZ, BA, BB, BG, BH, BR, BW, BY, BZ, CA, CH, CL, CN, CO, CR, CU, CZ, DE, DK, DM, DO, DZ, EC, EE, EG, ES, FI, GB, GD, GE, GH, GM, GT, HN, HR, HU, ID, IL, IN, IS, JP, KE, KG, KM, KN, KP, KR, KZ, LA, LC, LK, LR, LS, LT, LU, LY, MA, MD, ME, MG, MK, MN, MW, MX, MY, MZ, NA, NG, NI, NO, NZ, OM, PE, PG, PH, PL, PT, RO, RS, RU, SC, SD, SE, SG, SK, SL, SM, ST, SV, SY, TH, TJ, TM, TN, TR, TT, TZ, UA, UG, US, UZ, VC, VN, ZA, ZM, ZW.

(84) **Designated States (unless otherwise indicated, for every kind of regional protection available):** ARIPO (BW, GH, GM, KE, LS, MW, MZ, NA, SD, SL, SZ, TZ, UG, ZM, ZW), Eurasian (AM, AZ, BY, KG, KZ, MD, RU, TJ, TM), European (AT, BE, BG, CH, CY, CZ, DE, DK, EE, ES, FI, FR, GB, GR, HR, HU, IE, IS, IT, LT, LU, LV, MC, MK, MT, NL, NO, PL, PT, RO, SE, SI, SK, SM, TR), OAPI (BF, BJ, CF, CG, CI, CM, GA, GN, GQ, GW, ML, MR, NE, SN, TD, TG).

- Published:**
 - with international search report (Art. 21(3))
 - before the expiration of the time limit for amending the claims and to be republished in the event of receipt of amendments (Rule 48.2(h))
- (88) **Date of publication of the international search report:**
18 November 2010

(54) **Title:** SYSTEM AND METHOD FOR DISPLAYING MULTIPLE IMAGES/VIDEOS ON A SINGLE DISPLAY

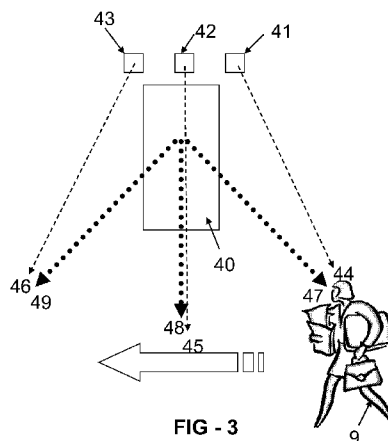


FIG - 3

(57) **Abstract:** A system and method for displaying multiple images on a single display. A plurality of unique video sources may be provided where each video source provides video frames having a plurality of vertical lines. A portion of the vertical lines are captured for each video source and transmitted to the display. The partial video frames may then be re-assembled into a single video frame which can be shown on the display. The display contains a masking where only certain vertical lines are viewable at certain angles. The masking may allow two or three images to be simultaneously visible to the observer, depending on the angle of viewing the display. Wireless or wired transmission may be used. Some embodiments also use a sound focusing device which may be synced with the video source so that separate sound messages can also be observed depending on the angle of viewing the display.



WO 2010/099178 A3

INTERNATIONAL SEARCH REPORT

International application No.
PCT/US2010/025202

A. CLASSIFICATION OF SUBJECT MATTER

G09G 3/20(2006.01)i, G09F 9/30(2006.01)i

According to International Patent Classification (IPC) or to both national classification and IPC

B. FIELDS SEARCHED

Minimum documentation searched (classification system followed by classification symbols)

G09G 3/20; G09G 3/36; G09G 5/00

Documentation searched other than minimum documentation to the extent that such documents are included in the fields searched

Korean utility models and applications for utility models
Japanese utility models and applications for utility models

Electronic data base consulted during the international search (name of data base and, where practicable, search terms used)

eKOMPASS(KIPO internal) & Keywords: advertize, display, communication, capture, video, process.

C. DOCUMENTS CONSIDERED TO BE RELEVANT

Category*	Citation of document, with indication, where appropriate, of the relevant passages	Relevant to claim No.
A	US 2003-0117428 A1 (DONGGE LI et al.) 26 June 2003 See the abstract, paragraphs [0053]-[0055], claims 1-3, 28-30, fig. 6.	1-16
A	US 2008-0170028 A1 (YOSHIDA YASUNORI) 17 July 2008 See paragraph [0225], fig. 21.	1-16
A	US 2002-0163513 A1 (RYUHEI TSUJI) 07 November 2002 See the abstract, paragraphs [0076]-[0079], fig. 6.	1-16

Further documents are listed in the continuation of Box C.

See patent family annex.

* Special categories of cited documents:

- "A" document defining the general state of the art which is not considered to be of particular relevance
- "E" earlier application or patent but published on or after the international filing date
- "L" document which may throw doubts on priority claim(s) or which is cited to establish the publication date of citation or other special reason (as specified)
- "O" document referring to an oral disclosure, use, exhibition or other means
- "P" document published prior to the international filing date but later than the priority date claimed

- "T" later document published after the international filing date or priority date and not in conflict with the application but cited to understand the principle or theory underlying the invention
- "X" document of particular relevance; the claimed invention cannot be considered novel or cannot be considered to involve an inventive step when the document is taken alone
- "Y" document of particular relevance; the claimed invention cannot be considered to involve an inventive step when the document is combined with one or more other such documents, such combination being obvious to a person skilled in the art
- "&" document member of the same patent family


Date of the actual completion of the international search

15 SEPTEMBER 2010 (15.09.2010)

Date of mailing of the international search report

16 SEPTEMBER 2010 (16.09.2010)

Name and mailing address of the ISA/KR

 Korean Intellectual Property Office
Government Complex-Daejeon, 139 Seonsa-ro, Seo-gu, Daejeon 302-701, Republic of Korea

Facsimile No. 82-42-472-7140

Authorized officer

CHOI, Hoon Young

Telephone No. 82-42-481-8365



INTERNATIONAL SEARCH REPORT

Information on patent family members

International application No.

PCT/US2010/025202

Patent document cited in search report	Publication date	Patent family member(s)	Publication date
US 2003-0117428 A1	26.06.2003	AU 2002-366883 A1 WO 03-054754 A3	09.07.2003 03.07.2003
US 2008-0170028 A1	17.07.2008	JP 2008-170749 A KR 10-2008-0066605 A US 2008-170028 A1	24.07.2008 16.07.2008 17.07.2008
US 2002-0163513 A1	07.11.2002	AU 2001-67889 A1 CA 2383635-A1 EP 1298632 A1 EP 1816630 A1 KR 10-0563716 B1 TW 582015 A US 2005-0179616 A1 US 7019723 B2 US 7138991 B2 WO 02-03365A1	14.01.2002 10.01.2002 02.04.2003 08.08.2007 28.03.2006 01.04.2004 18.08.2005 28.03.2006 21.11.2006 10.01.2002