



- (51) International Patent Classification:
F16M 11/00 (2006.01)
- (21) International Application Number:
PCT/US2013/047030
- (22) International Filing Date:
21 June 2013 (21.06.2013)
- (25) Filing Language: English
- (26) Publication Language: English
- (30) Priority Data:
61/662,741 21 June 2012 (21.06.2012) US
13/738,196 10 January 2013 (10.01.2013) US
- (71) Applicant: **AUTOMATION SOLUTIONS, INC.**
[US/US]; 500 Cummings Center, Suite 1750, Beverly, MA
01915 (US).
- (72) Inventors: **KENDALL, Thomas, Matthew**; 2 Chamberlain
Street, Johnston, RI 02919 (US). **TIERNEY, Mat-
thew, Charles**; 12 Lantern Lane, West Roxbury, MA
02132 (US). **CANTARA, Joseph, Scott**; 49 Siesta Drive,
North Attleboro, MA 02760 (US).
- (74) Agents: **KRIEGSMAN, Daniel, S.** et al.; Kriegsman &
Kriegsman, 30 Turnpike Road, Suite 9, Southborough, MA
01772 (US).

- (81) Designated States (unless otherwise indicated, for every
kind of national protection available): AE, AG, AL, AM,
AO, AT, AU, AZ, BA, BB, BG, BH, BN, BR, BW, BY,
BZ, CA, CH, CL, CN, CO, CR, CU, CZ, DE, DK, DM,
DO, DZ, EC, EE, EG, ES, FI, GB, GD, GE, GH, GM, GT,
HN, HR, HU, ID, IL, IN, IS, JP, KE, KG, KN, KP, KR,
KZ, LA, LC, LK, LR, LS, LT, LU, LY, MA, MD, ME,
MG, MK, MN, MW, MX, MY, MZ, NA, NG, NI, NO, NZ,
OM, PA, PE, PG, PH, PL, PT, QA, RO, RS, RU, RW, SC,
SD, SE, SG, SK, SL, SM, ST, SV, SY, TH, TJ, TM, TN,
TR, TT, TZ, UA, UG, US, UZ, VC, VN, ZA, ZM, ZW.
- (84) Designated States (unless otherwise indicated, for every
kind of regional protection available): ARIPO (BW, GH,
GM, KE, LR, LS, MW, MZ, NA, RW, SD, SL, SZ, TZ,
UG, ZM, ZW), Eurasian (AM, AZ, BY, KG, KZ, RU, TJ,
TM), European (AL, AT, BE, BG, CH, CY, CZ, DE, DK,
EE, ES, FI, FR, GB, GR, HR, HU, IE, IS, IT, LT, LU, LV,
MC, MK, MT, NL, NO, PL, PT, RO, RS, SE, SI, SK, SM,
TR), OAPI (BF, BJ, CF, CG, CI, CM, GA, GN, GQ, GW,
KM, ML, MR, NE, SN, TD, TG).

Published:

— with international search report (Art. 21(3))

- (88) Date of publication of the international search report:
20 February 2014

(54) Title: FLUID DELIVERY SYSTEM AND LIFT AND USE IN CONJUNCTION THEREWITH

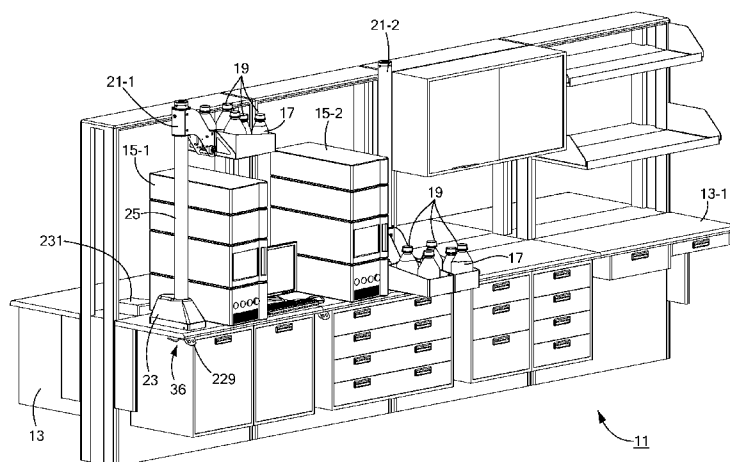


FIG. 1

(57) Abstract: A fluid delivery system includes a laboratory instrument that operates using fluid retained in one or more containers. The containers are supported on a motor-driven lift that is configured to transport the containers between a lowered position suitable for handling and an elevated position suitable for the delivery of fluid to the instrument by gravity. The lift includes a bench-mountable base, a tubular column extending upward from the base, an elongated lead screw extending longitudinally through the column, a drive mechanism for rotatably driving the lead screw, a carriage slidably mounted over the tubular column and mechanically coupled to the lead screw, a platform removably coupled to the carriage for supporting the containers, and a control system for regulating operation of the drive mechanism. During operation, a slot provided in the column restricts travel of the platform along a predefined path that is linear in part and helical in part.



INTERNATIONAL SEARCH REPORT

International application No.

PCT/US2013/047030

A. CLASSIFICATION OF SUBJECT MATTER IPC(8) - F16M 11/00 (2013.01) USPC - 248/121 According to International Patent Classification (IPC) or to both national classification and IPC		
B. FIELDS SEARCHED Minimum documentation searched (classification system followed by classification symbols) IPC(8) - B01L 9/00, 9/02; F16M 11/00, 11/24 (2013.01) USPC - 248/121, 124, 125, 207, 295, 405; 414/806 Documentation searched other than minimum documentation to the extent that such documents are included in the fields searched CPC - F16M 11/00, 11/24, 13/02 (2013.01) Electronic data base consulted during the international search (name of data base and, where practicable, search terms used) Orbit, Google Patents, Google		
C. DOCUMENTS CONSIDERED TO BE RELEVANT		
Category*	Citation of document, with indication, where appropriate, of the relevant passages	Relevant to claim No.
Y	US 7,708,946 B1 (SHERMAN et al) 04 May 2010 (04.05.2010) entire document	1-11, 14-20
Y	US 2,950,829 A (MCBEAN et al) 30 August 1960 (30.08.1960) entire document	1-11, 14-18, 20
Y	US 2008/0265120 A1 (ALTSHULER et al) 30 October 2008 (30.10.2008) entire document	5-11, 14-20
A	US 2004/0116846 A1 (OLIVERA et al) 17 June 2004 (17.06.2004) entire document	1-20
A	WO 00/45164 A1 (HUNICKE-SMITH et al) 03 August 2000 (03.08.2000) entire document	1-20
<input type="checkbox"/> Further documents are listed in the continuation of Box C. <input type="checkbox"/>		
* Special categories of cited documents: "A" document defining the general state of the art which is not considered to be of particular relevance "E" earlier application or patent but published on or after the international filing date "L" document which may throw doubts on priority claim(s) or which is cited to establish the publication date of another citation or other special reason (as specified) "O" document referring to an oral disclosure, use, exhibition or other means "P" document published prior to the international filing date but later than the priority date claimed "T" later document published after the international filing date or priority date and not in conflict with the application but cited to understand the principle or theory underlying the invention "X" document of particular relevance; the claimed invention cannot be considered novel or cannot be considered to involve an inventive step when the document is taken alone "Y" document of particular relevance; the claimed invention cannot be considered to involve an inventive step when the document is combined with one or more other such documents, such combination being obvious to a person skilled in the art "&" document member of the same patent family		
Date of the actual completion of the international search 18 November 2013		Date of mailing of the international search report 29 NOV 2013
Name and mailing address of the ISA/US Mail Stop PCT, Attn: ISA/US, Commissioner for Patents P.O. Box 1450, Alexandria, Virginia 22313-1450 Facsimile No. 571-273-3201		Authorized officer: Blaine R. Copenheaver PCT Helpdesk: 571-272-4300 PCT OSP: 571-272-7774