



US00D719920S

(12) **United States Design Patent**  
**Choi et al.**

(10) **Patent No.:** **US D719,920 S**

(45) **Date of Patent:** **\*\* Dec. 23, 2014**

(54) **MALE CONNECTOR**

(71) Applicant: **UJU Electronics Co., Ltd.**,  
Hwaseong-si, Gyeonggi-do (KR)

(72) Inventors: **Suk-Jin Choi**, Hwaseong-si (KR);  
**Guen-O Lee**, Suwon-si (KR)

(73) Assignee: **UJU Electronics Co., Ltd.**,  
Gyeonggi-Do (KR)

(\*\*) Term: **14 Years**

(21) Appl. No.: **29/477,834**

(22) Filed: **Dec. 27, 2013**

(30) **Foreign Application Priority Data**

Nov. 8, 2013 (KR) ..... 30-2013-0056301

(51) **LOC (10) Cl.** ..... **13-03**

(52) **U.S. Cl.**  
USPC ..... **D13/147**

(58) **Field of Classification Search**  
USPC ..... D13/147, 154, 184, 199  
See application file for complete search history.

(56) **References Cited**

U.S. PATENT DOCUMENTS

D540,263	S	*	4/2007	Kishi et al.	.....	D13/147
D576,556	S	*	9/2008	Lee et al.	.....	D13/147
D578,481	S	*	10/2008	Lee et al.	.....	D13/147
D603,799	S	*	11/2009	Obikane et al.	.....	D13/147
D642,531	S	*	8/2011	Nishimura et al.	.....	D13/147
D695,692	S	*	12/2013	Takenaga et al.	.....	D13/147

\* cited by examiner

*Primary Examiner* — Daniel Bui

(74) *Attorney, Agent, or Firm* — IPLA P.A.; James E. Bame

(57) **CLAIM**

The ornamental design for a male connector, as shown and described.

**DESCRIPTION**

FIG. 1 is a perspective view of our design;  
FIG. 2 is a front elevational view thereof, the rear elevational view being a mirror image;  
FIG. 3 is a left side elevational view thereof;  
FIG. 4 is a right side elevational view thereof;  
FIG. 5 is a top plan view thereof; and,  
FIG. 6 is a top perspective view of a male connector showing our new design.

**1 Claim, 2 Drawing Sheets**

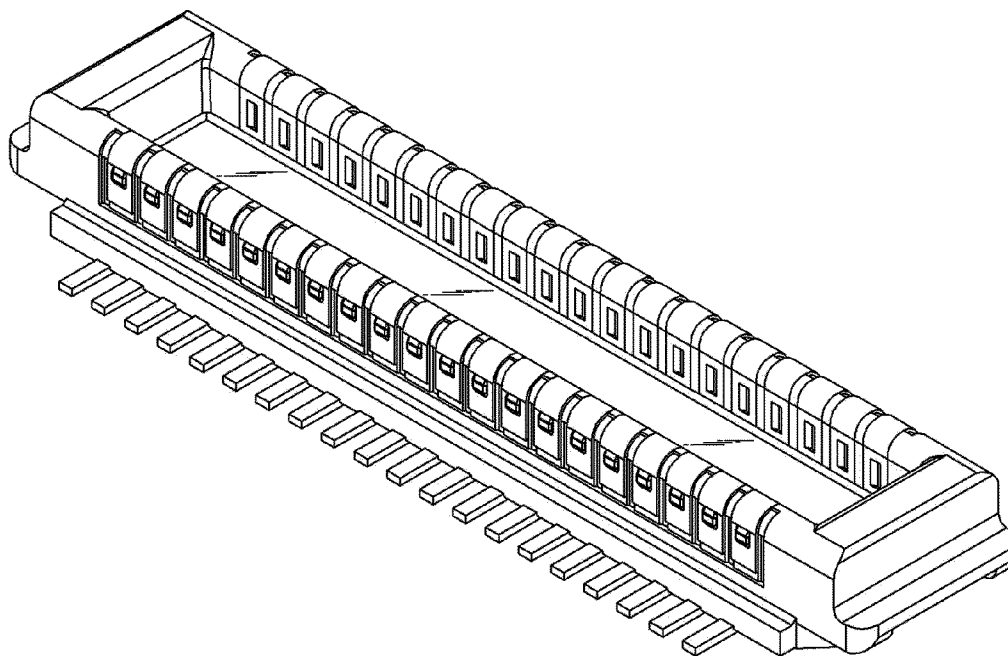


FIG. 1

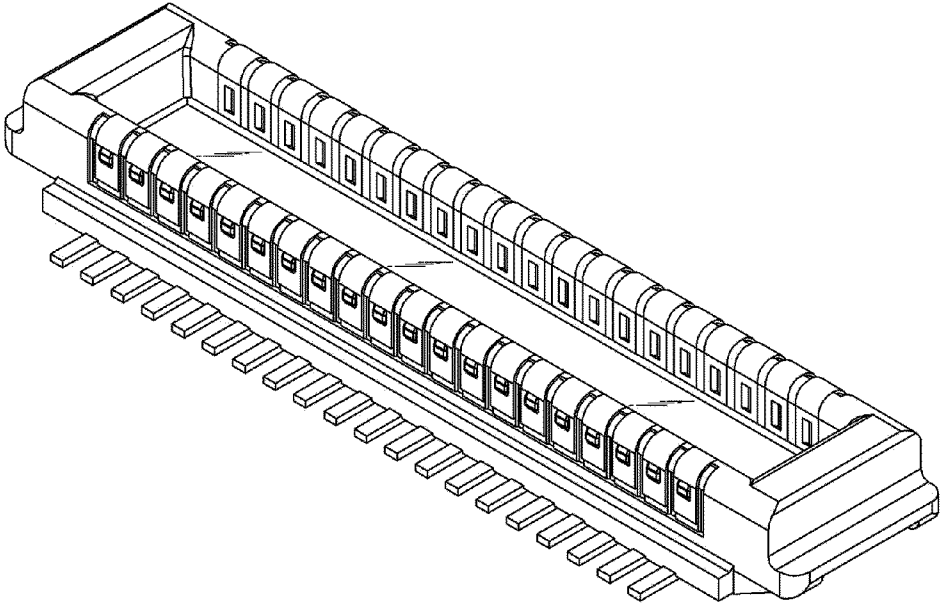


FIG. 2

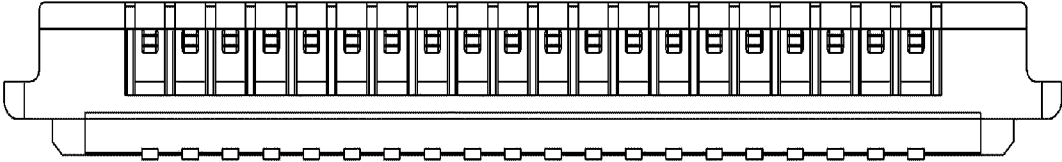


FIG. 3

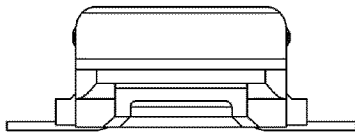


FIG. 4

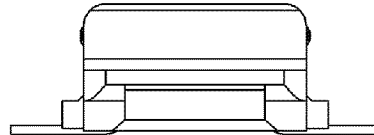


FIG. 5

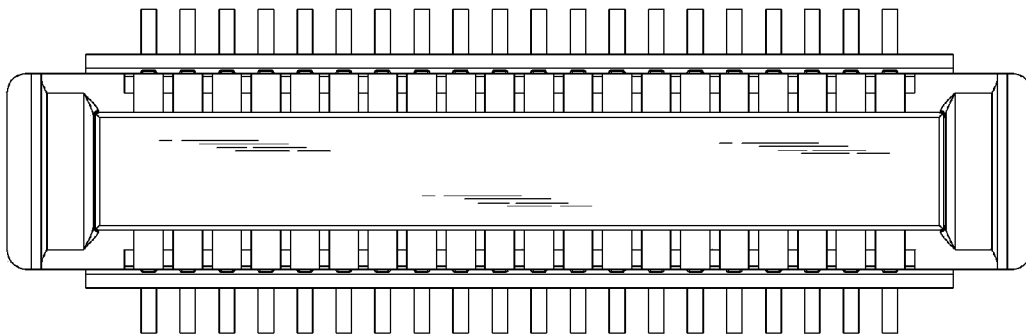


FIG. 6

