



(12) **United States Design Patent**
Memke et al.

(10) **Patent No.:** **US D951,963 S**
(45) **Date of Patent:** **** May 17, 2022**

(54) **BASE CONFIGURED TO SUPPORT AN OPTICAL SCANNER**

- (71) Applicant: **Hand Held Products, Inc.**, Fort Mill, SC (US)
- (72) Inventors: **David K. Memke**, Bainbridge Island, WA (US); **Roger Jackson**, Lake Forest Park, WA (US); **Tim Zurmoehle**, Seattle, WA (US); **William Herweh, III**, Seattle, WA (US); **Churu Yun**, Seattle, WA (US); **Matthew McElvogue**, Seattle, WA (US); **Rajat Shail**, Chicago, IL (US)
- (73) Assignee: **Hand Held Products, Inc.**, Charlotte, NC (US)
- (**) Term: **15 Years**
- (21) Appl. No.: **29/673,590**
- (22) Filed: **Dec. 17, 2018**

Related U.S. Application Data

- (63) Continuation of application No. 29/572,902, filed on Aug. 1, 2016, now Pat. No. Des. 838,273.
- (51) **LOC (13) Cl.** **14-02**
- (52) **U.S. Cl.**
USPC **D14/453**; D13/107; D13/108; D14/434
- (58) **Field of Classification Search**
USPC D14/434, 447, 453, 432, 433, 385, 357, D14/149, 457, 253, 251, 356, 242, 439, D14/344, 140.2, 140.5, 140.9, 203.8, D14/209.1, 224.1, 227, 229, 238, 405; D13/108, 118, 199, 107, 177, 119, 184, D13/116, 109; D3/218, 228, 269; D18/12; D8/349, 382; 361/683, 686, 361/679, 600, 679.44, 679.09, 679.26, 361/679.58; 455/557, 556.1, 556.2,
(Continued)

(56) **References Cited**

U.S. PATENT DOCUMENTS

- 2,642,520 A 6/1953 Keely
- 2,754,863 A 7/1956 Yearley
- (Continued)

OTHER PUBLICATIONS

Bidwell et al., "Headset", Design U.S. Appl. No. 29/572,887, filed Aug. 1, 2016, 73 pages, [Not yet published/granted].
(Continued)

Primary Examiner — Susan Moon Lee

(74) *Attorney, Agent, or Firm* — Alston & Bird LLP

(57) **CLAIM**

The ornamental design for a base configured to support an optical scanner, as shown in the accompanying drawings and described above.

DESCRIPTION

FIG. 1 is a top, front perspective view of a base configured to support an optical scanner, in accordance with the present invention.

FIG. 2 is a front elevation view of the base of FIG. 1.

FIG. 3 is a rear elevation view of the base of FIG. 1.

FIG. 4 is a right elevation view of the base of FIG. 1.

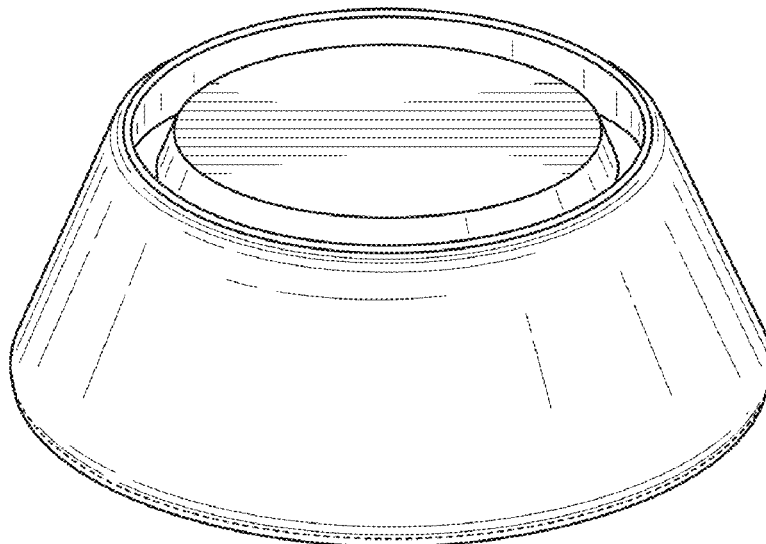
FIG. 5 is a left elevation view of the base of FIG. 1.

FIG. 6 is a top plan view of the base of FIG. 1.

FIG. 7 is a bottom plan view of the base of FIG. 1; and, FIG. 8 is cross-sectional view taken along line 8-8 of FIG. 6 for illustrating the annular recess in the upper surface of the base of FIG. 1. Applicant explicitly disclaims internal features of the cross-sectional view of FIG. 8.

The broken lines shown herein are for illustrative purposes and form no part of the claimed design.

1 Claim, 7 Drawing Sheets



(58) **Field of Classification Search**

USPC 455/575.4, 569.2, 569.1; 248/346.03,
 248/176.1, 181.1, 309.1, 221.11, 349.1,
 248/131, 418, 346.01, 918, 920; 200/6 R;
 206/701; 320/107, 108, 112-116, 125,
 320/134, 160; 379/426; 345/156, 901,
 345/905; 439/374, 131, 529, 534, 929,
 439/346, 31, 640; 235/472.01, 454,
 235/462.01, 462.32, 462.41, 462.45,
 235/462.48, 462.46, 462.43, 462.42,
 235/462.14, 462.1, 462.13, 472.02;
 429/100; 382/135; 312/223.1; D24/186,
 D24/187, 133
 CPC G06K 7/109; G06K 7/10881; G06K
 7/10861; G06K 7/10594; G06K 7/10831;
 G06K 7/1096; G06K 7/10851; G06K
 7/10821; G06K 7/10475; G06K 17/0022;
 G06F 1/1632; G06F 1/163; G07G 1/0018;
 G07G 1/0045; Y10S 248/92; F16M
 11/10; F16M 11/08; F16M 11/041; F16M
 11/00; F16M 11/046; F16M 11/2021;
 F16M 13/00; F16M 2200/08; A47F
 9/046; H02J 7/0044; H02J 7/0042; H02J
 7/0004; H02J 7/0054; H02J 7/0047; H02J
 7/0027; H02J 7/0013; H04M 1/04; H04N
 2201/0058; H01M 2/1055

See application file for complete search history.

(56) **References Cited**

U.S. PATENT DOCUMENTS

D209,074 S	10/1967	Swett	
D213,401 S	2/1969	Holder	
D231,684 S	5/1974	Reyda	
D237,582 S	11/1975	Mostyn	
D280,971 S	10/1985	Newton	
D294,869 S	3/1988	Kwan	
D329,796 S	9/1992	Olson	
D340,744 S *	10/1993	Van Eijben	D19/65
D342,138 S	12/1993	Wollman et al.	
D351,660 S	10/1994	Ichikawa et al.	
D367,416 S	2/1996	Gustafson et al.	
5,488,813 A	2/1996	Weder	
D382,823 S *	8/1997	Newland, Jr.	D10/106.5
D408,355 S *	4/1999	Welsh	D13/139.4
D422,473 S	4/2000	Spirer	
D434,686 S *	12/2000	Denman	D10/106.1
D491,654 S	6/2004	Gatchell et al.	
D495,043 S	8/2004	Gatchell et al.	
D496,480 S	9/2004	Slattery	
D496,651 S	9/2004	Borsboom	
D508,458 S *	8/2005	Solland	D13/108
D519,658 S	4/2006	Izardel	
D531,875 S	11/2006	Chen	
D534,898 S	1/2007	Rashid	
D537,073 S	2/2007	Peersman	
D538,430 S	3/2007	Ohta	
D545,274 S	6/2007	Dong	
D551,329 S	9/2007	Cheng	
D552,597 S *	10/2007	Solland	D14/217
D553,122 S *	10/2007	Solland	D14/217
D553,123 S *	10/2007	Solland	D14/217
D577,814 S	9/2008	Seki et al.	
D581,905 S *	12/2008	Solland	D14/217
D582,534 S	12/2008	Conway et al.	
D585,971 S	2/2009	Carrizales, Jr.	
D591,853 S	5/2009	Osterberg	
D597,527 S	8/2009	Kim et al.	
D604,277 S	11/2009	Benedetti	
D606,979 S *	12/2009	Henry	D14/218
D613,692 S	4/2010	Son et al.	
D614,136 S	4/2010	Chyan et al.	
D614,137 S	4/2010	Son et al.	
D621,949 S	8/2010	Seki et al.	
D623,311 S	9/2010	Aulwes et al.	
D625,295 S *	10/2010	Nogueira	D14/218
D631,837 S	2/2011	Smith et al.	
D632,281 S *	2/2011	Hoehn	D14/218
D638,134 S	5/2011	Nikitszuk et al.	
D640,403 S	6/2011	Kristiansen et al.	
D643,102 S	8/2011	Abbondanzio et al.	
D646,007 S	9/2011	Tompkin	
D647,082 S	10/2011	Rawson et al.	
D650,105 S	12/2011	Crawford et al.	
D654,875 S	2/2012	Au	
D656,465 S	3/2012	Au	
D659,120 S	5/2012	Kim et al.	
D659,257 S	5/2012	Desberg	
D659,675 S	5/2012	Kim et al.	
D660,449 S	5/2012	Sevier et al.	
D670,844 S	11/2012	von Waldthausen	
D670,985 S	11/2012	Tompkin	
D672,313 S	12/2012	Smith et al.	
D673,528 S *	1/2013	Trotsky	D14/217
D680,541 S *	4/2013	Lee	D14/434
D684,312 S	6/2013	Badawi	
D687,583 S	8/2013	von Waldthausen	
D691,587 S *	10/2013	Ferber	D14/216
D691,954 S	10/2013	Lee et al.	
D692,832 S	11/2013	Esses	
D697,482 S	1/2014	Cheng	
D698,953 S	2/2014	Hinzmann	
D701,971 S	4/2014	Valen et al.	
D705,355 S *	5/2014	Webster	D19/86
D707,839 S	6/2014	Bradley et al.	
D710,481 S	8/2014	Walter et al.	
D710,660 S	8/2014	Roberts, Jr.	
D710,743 S	8/2014	Bartter	
D710,744 S	8/2014	Bartter	
D711,522 S	8/2014	Hsiao	
D711,523 S	8/2014	Hsiao	
D711,830 S	8/2014	Liu	
D714,248 S *	9/2014	Chang	D14/140
D714,923 S	10/2014	Engelhard et al.	
D717,509 S	11/2014	Patton	
D719,916 S	12/2014	Cheng	
D722,197 S	2/2015	Helmbold et al.	
D722,374 S	2/2015	Lewis	
D723,481 S	3/2015	Park et al.	
D723,514 S	3/2015	Lukic et al.	
D729,377 S	5/2015	Chen	
D731,465 S *	6/2015	Khubani	D14/216
D733,280 S	6/2015	Bourne	
D735,945 S *	8/2015	Reishus	D28/73
D738,553 S	9/2015	Fletcher	
D741,836 S	10/2015	Greenwood	
D744,630 S	12/2015	Ying	
D746,511 S *	12/2015	Gettings	D26/152
D747,417 S *	1/2016	Cho	D21/324
D750,565 S	3/2016	Venida et al.	
D752,023 S	3/2016	Lee	
D754,377 S	4/2016	Nook et al.	
D754,834 S	4/2016	Mosell et al.	
D757,585 S *	5/2016	Hojmose	D10/106.5
D760,671 S	7/2016	Chalabi et al.	
D760,912 S	7/2016	Sedic	
D767,535 S	9/2016	Koo	
D772,391 S *	11/2016	Zimmerli	D23/366
D773,728 S	12/2016	Eksouzian	
D775,752 S	1/2017	Nook et al.	
D777,168 S *	1/2017	Hill	D14/454
D777,309 S	1/2017	Skoda et al.	
D781,798 S *	3/2017	Klepper	D14/125
D784,835 S	4/2017	Kim et al.	
D787,657 S	5/2017	Farone et al.	
D794,170 S	8/2017	Lopez	
D795,407 S	8/2017	Skoda et al.	
D797,704 S *	9/2017	Fischer	D14/216
D807,289 S	1/2018	Wang	
D807,767 S	1/2018	Kim et al.	
D807,820 S	1/2018	Nazar	

(56)

References Cited

U.S. PATENT DOCUMENTS

D808,556 S 1/2018 Patel
 D810,340 S 2/2018 Chang
 D811,367 S 2/2018 Vaclavik et al.
 D813,210 S 3/2018 Benedetti
 D816,046 S * 4/2018 Kiong D13/162
 D818,168 S 5/2018 Chang
 D818,569 S 5/2018 Farone et al.
 D832,264 S * 10/2018 Kim D14/434
 D834,002 S * 11/2018 Bergfeldt D14/218
 D855,583 S * 8/2019 Capecelatro D14/216
 D856,316 S * 8/2019 Yang D14/230
 D863,258 S * 10/2019 Song D14/218
 D865,716 S * 11/2019 Kuang D14/216
 D868,031 S * 11/2019 Ryu D14/216
 D873,831 S * 1/2020 DePaolo D14/434
 D875,736 S * 2/2020 Ramones D14/447
 D886,772 S * 6/2020 Xiong D14/204
 D909,341 S * 2/2021 Saule D14/217
 D928,700 S * 8/2021 Kim D13/107
 D937,811 S * 12/2021 Lee D14/217
 2002/0178867 A1 12/2002 Lun
 2013/0193246 A1 8/2013 Roberts, Jr.

2014/0147297 A1 5/2014 Iyer et al.
 2017/0316767 A1 11/2017 You
 2021/0305823 A1* 9/2021 Lee H02J 7/0044

OTHER PUBLICATIONS

Bidwell et al., "Headset", Design U.S. Appl. No. 29/572,890, filed Aug. 1, 2016, 65 pages, [Not yet published/granted].
 Memke et al. "Optical Scanner", Design U.S. Appl. No. 29/572,896, filed Aug. 1, 2016, 57 pages, [Not yet published/granted].
 Memke et al. "Optical Scanner", Design U.S. Appl. No. 29/572,898, filed Aug. 1, 2016, 57 pages, [Not yet published/granted].
 Bidwell et al. "Printer", Design U.S. Appl. No. 29/572,909, filed Aug. 1, 2016, 51 pages, [Not yet published/granted].
 Bidwell et al. "Optical Scanner", Design U.S. Appl. No. 29/572,904, filed Aug. 1, 2016, 84 pages, [Not yet published/granted].
 Bidwell et al. "Optical Scanner and Handle", Design U.S. Appl. No. 29/572,907, filed Aug. 1, 2016, 130 pages, [Not yet published/granted].
 Notice of Allowance and Fees Due (PTOL-85) dated Aug. 29, 2018 for U.S. Appl. No. 29/572,902.

* cited by examiner

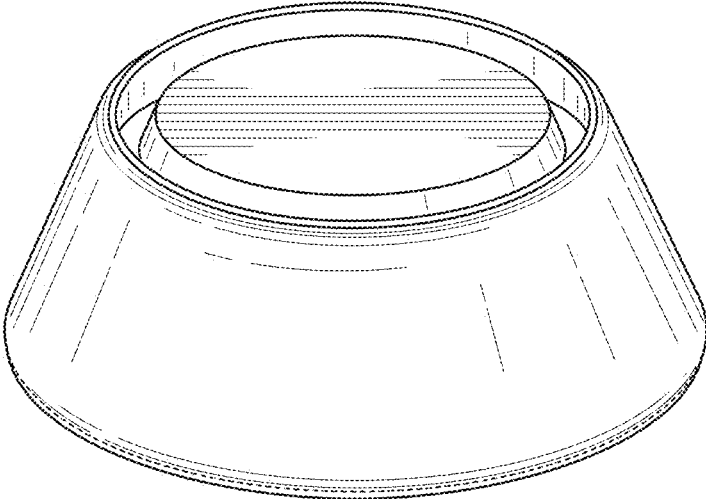


FIG. 1

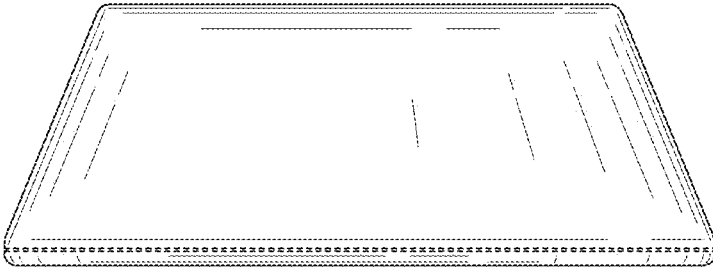


FIG. 2

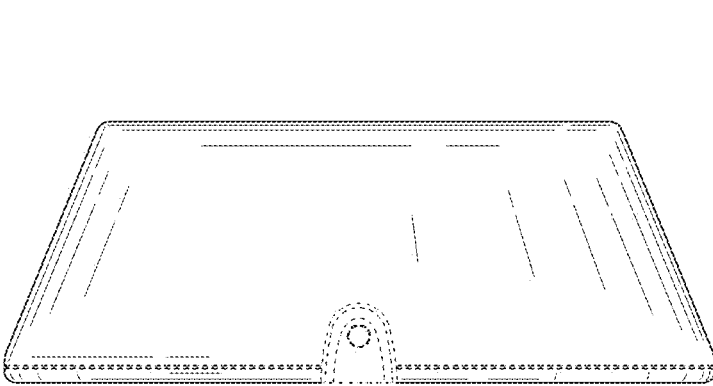


FIG. 3

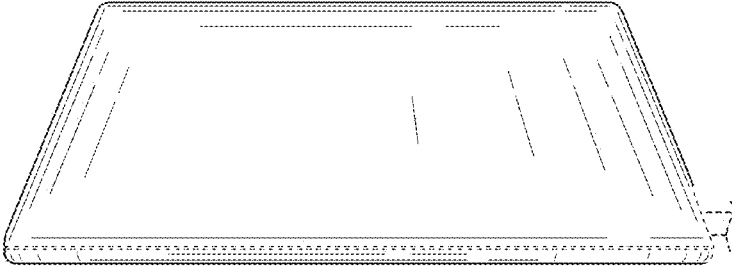


FIG. 4

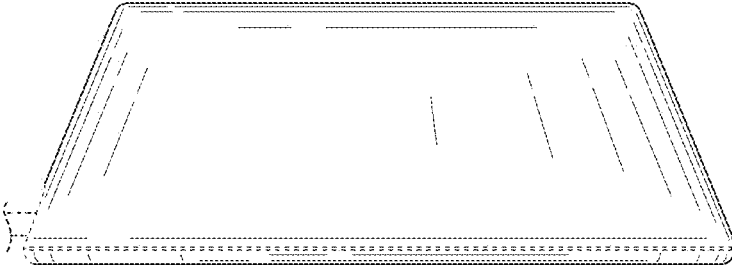


FIG. 5

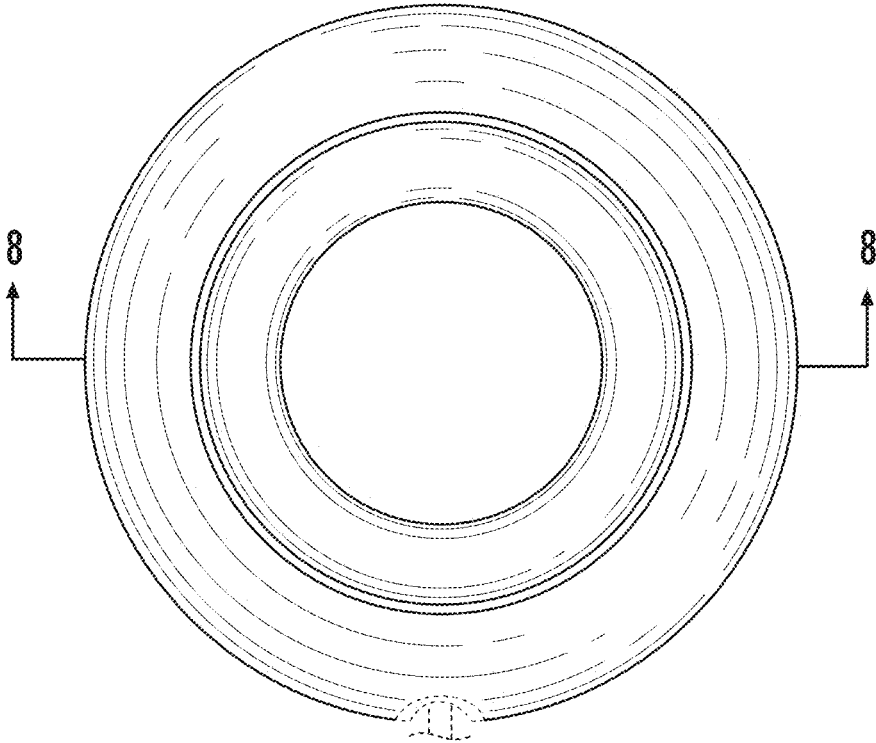


FIG. 6

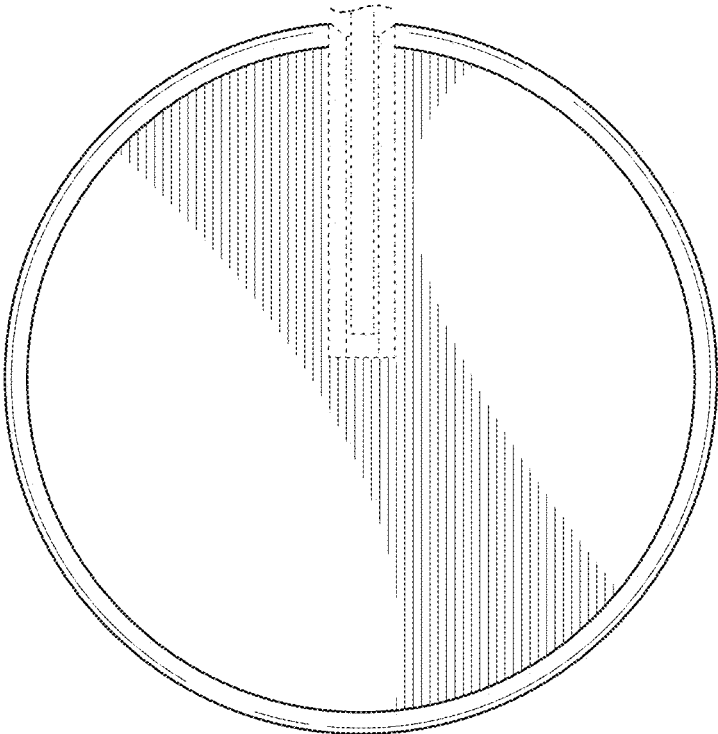


FIG. 7

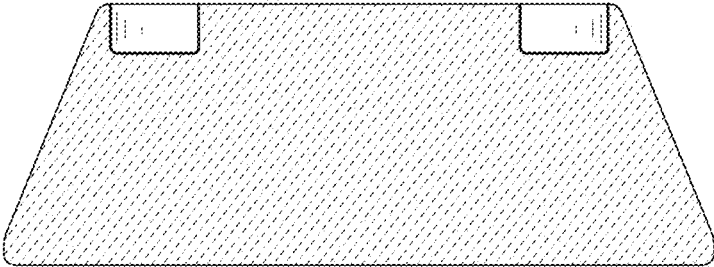


FIG. 8