



US00D769571S

(12) **United States Design Patent** (10) **Patent No.:** **US D769,571 S**
Lee et al. (45) **Date of Patent:** **** Oct. 18, 2016**

(54) **AUTOMATED TELLER MACHINE**

(56) **References Cited**

(71) Applicant: **Nautilus Hyosung Inc.**, Seoul (KR)

U.S. PATENT DOCUMENTS

(72) Inventors: **Hee Youn Lee**, Sungnam-si (KR); **Jaе Min Park**, Anyang-si (KR); **Jaе Min Cha**, Sungnam-si (KR)

| | | | | | | |
|--------------|----|---|---------|----------|-------|-----------------------|
| D437,468 | S | * | 2/2001 | Fukutake | | D99/28 |
| D456,587 | S | * | 4/2002 | Kit | | D99/28 |
| D492,080 | S | * | 6/2004 | Magee | | D99/28 |
| D540,004 | S | * | 4/2007 | Kang | | D99/28 |
| D592,825 | S | * | 5/2009 | Kang | | D99/28 |
| D596,373 | S | * | 7/2009 | Kang | | D99/28 |
| D596,374 | S | * | 7/2009 | Kang | | D99/28 |
| D597,275 | S | * | 7/2009 | Lee | | D99/28 |
| D625,305 | S | * | 10/2010 | Bleck | | D14/307 |
| D629,585 | S | * | 12/2010 | Bleck | | D14/307 |
| D645,223 | S | * | 9/2011 | Bleck | | D14/307 |
| D672,525 | S | * | 12/2012 | Lee | | D14/900 |
| D674,985 | S | * | 1/2013 | Lee | | D14/900 |
| D696,484 | S | * | 12/2013 | Lee | | D99/28 |
| D696,485 | S | * | 12/2013 | Lee | | D99/28 |
| D716,515 | S | * | 10/2014 | Cha | | D99/28 |
| 2004/0262379 | A1 | * | 12/2004 | Gomes | | G06Q 30/06 235/379 |
| 2005/0029340 | A1 | * | 2/2005 | Ferraro | | G07F 7/00 235/379 |
| 2008/0296365 | A1 | * | 12/2008 | Schliebe | | G01G 19/52 235/379 |
| 2009/0057398 | A1 | * | 3/2009 | Douglass | | G07F 19/20 235/379 |

(73) Assignee: **NAUTILUS HYOSUNG INC.**, Seoul (KR)

(**) Term: **14 Years**

(21) Appl. No.: **29/515,323**

(22) Filed: **Jan. 21, 2015**

(30) **Foreign Application Priority Data**

Dec. 19, 2014 (KR) 30-2014-0062202

(51) **LOC (10) Cl.** **20-01**

(52) **U.S. Cl.**
USPC **D99/28**

(58) **Field of Classification Search**

USPC D99/28, 34, 25, 26, 43, 99;
D14/300-302, 305, 307, 900-902;
D18/3.1-3.3, 4.1-4.6, 12.1-12.3;
D21/324, 325, 329, 369, 370; 101/66;
109/1 R, 1 V, 2, 23, 24.1, 25, 58, 58.5,
109/66; 446/8-13; 705/16, 17, 18, 42, 43,
705/44, 45; 235/51, 379, 380, 381, 382,
235/382.5, 386; 206/0.8, 0.81, 0.815, 0.82,
206/0.83, 0.84

CPC G06Q 20/10; G06Q 20/108; G06Q
20/1085; G06Q 20/18; G07D 1/00; G07D
1/02; G07D 1/04; G07D 1/06; G07D 11/00;
G07D 9/002; G07D 9/04; G07F 19/20;
G07F 19/201; G07F 19/202; G07F 19/203;
G07F 19/204; G07F 19/105; G07F 19/21;
G07F 19/00; G07F 5/00; G07F 1/00; E05G
7/001; E05G 1/006; A63H 33/00; A63G
33/005

See application file for complete search history.

* cited by examiner

Primary Examiner — Elizabeth J Oswecki

(74) *Attorney, Agent, or Firm* — Fenwick & West LLP

(57) **CLAIM**

The ornamental design for an automated teller machine, as shown and described.

DESCRIPTION

FIG. 1 is a perspective view of an automated teller machine, showing our new design;
FIG. 2 is a front view thereof;
FIG. 3 is a rear view thereof;
FIG. 4 is a left side view thereof;
FIG. 5 is a right side view thereof;
FIG. 6 is a top view thereof; and,
FIG. 7 is a bottom view thereof.

1 Claim, 7 Drawing Sheets

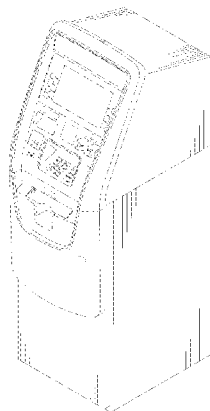


Fig 1

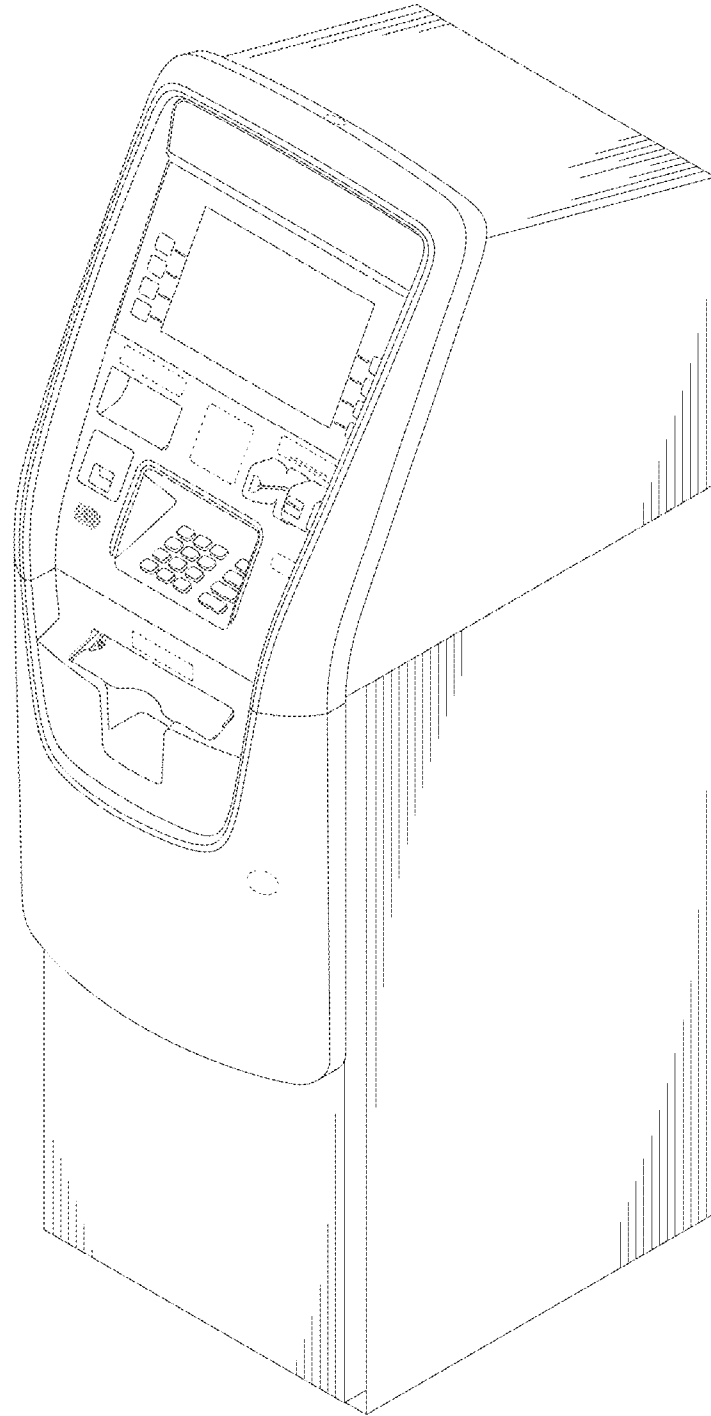


Fig 2

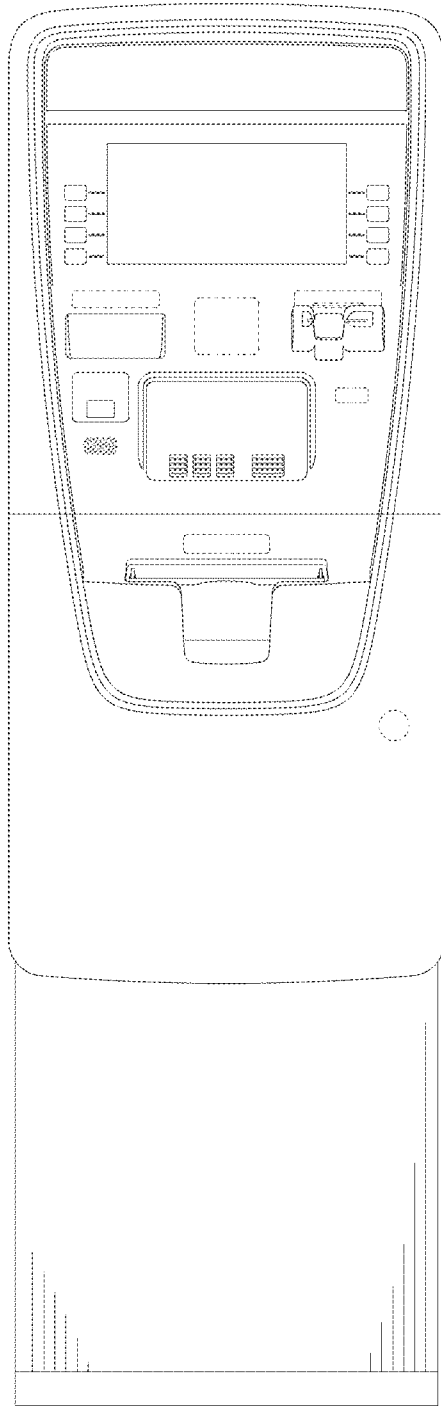


Fig 3

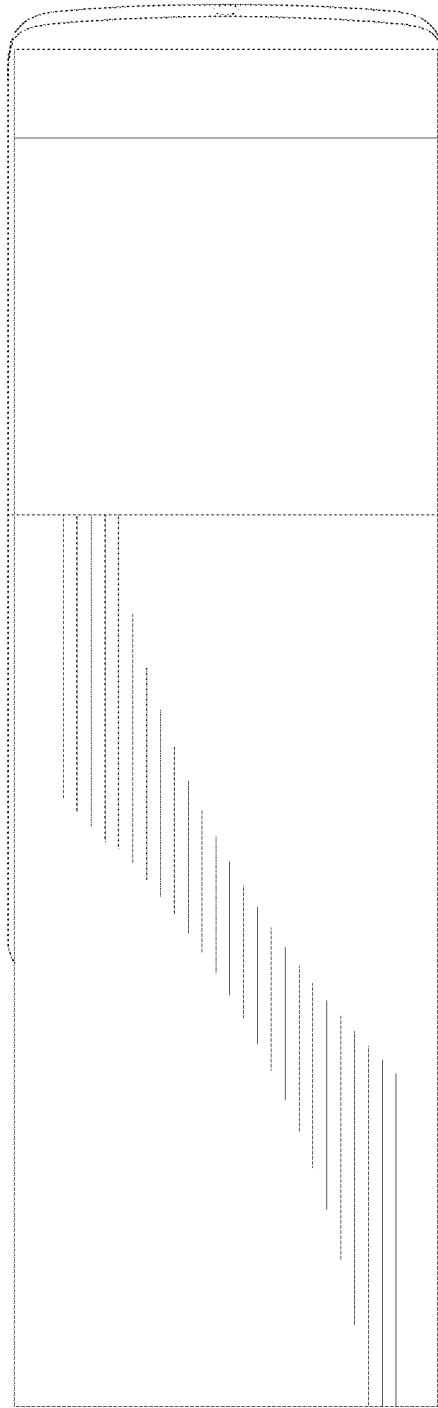


Fig 4

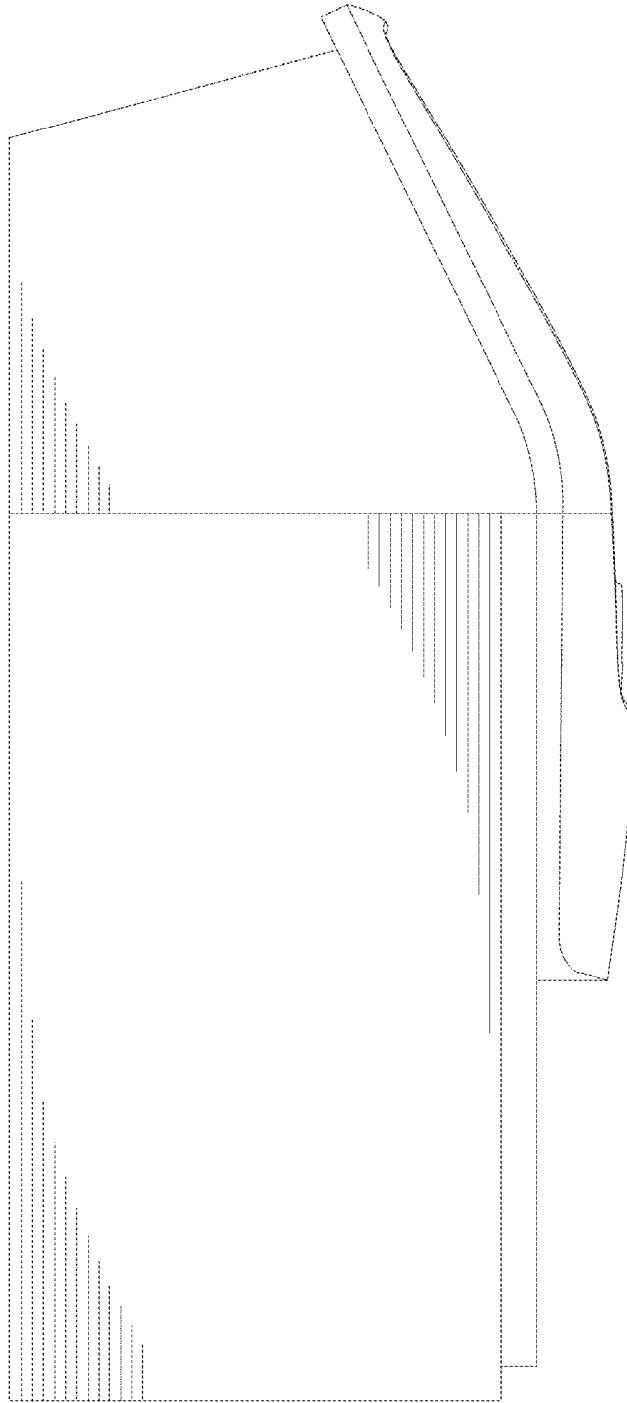


Fig 5

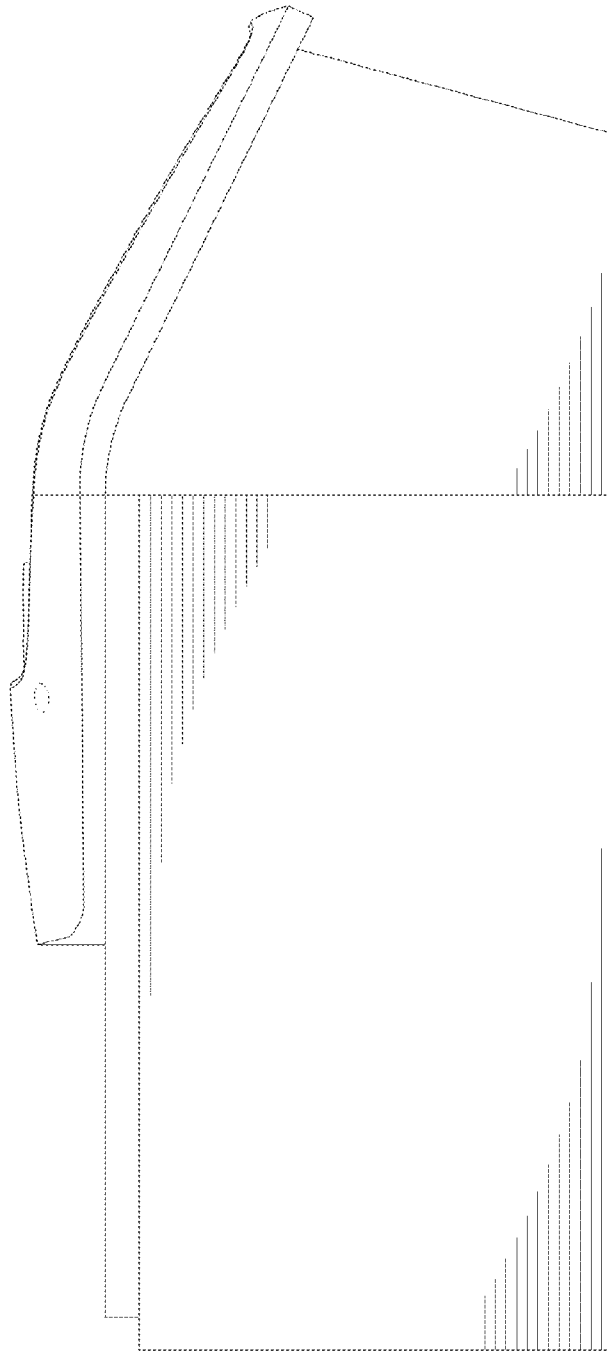


Fig 6

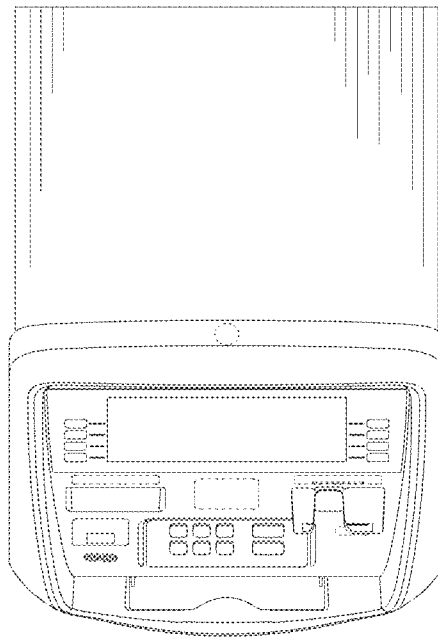


Fig 7

