

(19) World Intellectual Property Organization
International Bureau



(43) International Publication Date
4 December 2008 (04.12.2008)

PCT

(10) International Publication Number
WO 2008/145680 A3

- (51) International Patent Classification:
B01D 53/86 (2006.01) *C01B 17/04* (2006.01)
- (21) International Application Number:
PCT/EP2008/056571
- (22) International Filing Date: 29 May 2008 (29.05.2008)
- (25) Filing Language: English
- (26) Publication Language: English
- (30) Priority Data:
07109266.2 31 May 2007 (31.05.2007) EP
- (71) Applicant (for all designated States except US): **SHELL INTERNATIONALE RESEARCH MAATSCHAPPIJ B.V.** [NL/NL]; Carel van Bylandtlaan 30, NL-2596 HR The Hague (NL).
- (72) Inventor; and
- (75) Inventor/Applicant (for US only): **ÖHLSCHLÄGER, Frank Michael** [DE/NL]; Badhuisweg 3, NL-1031 CM Amsterdam (NL).
- (74) Agent: **SHELL INTERNATIONAL B.V.**; Intellectual Property Services, PO Box 384, NL-2501 CJ The Hague (NL).

- (81) Designated States (unless otherwise indicated, for every kind of national protection available): AE, AG, AL, AM, AO, AT, AU, AZ, BA, BB, BG, BH, BR, BW, BY, BZ, CA, CH, CN, CO, CR, CU, CZ, DE, DK, DM, DO, DZ, EC, EE, EG, ES, FI, GB, GD, GE, GH, GM, GT, HN, HR, HU, ID, IL, IN, IS, JP, KE, KG, KM, KN, KP, KR, KZ, LA, LC, LK, LR, LS, LT, LU, LY, MA, MD, ME, MG, MK, MN, MW, MX, MY, MZ, NA, NG, NI, NO, NZ, OM, PG, PH, PL, PT, RO, RS, RU, SC, SD, SE, SG, SK, SL, SM, SV, SY, TJ, TM, TN, TR, TT, TZ, UA, UG, US, UZ, VC, VN, ZA, ZM, ZW.
- (84) Designated States (unless otherwise indicated, for every kind of regional protection available): ARIPO (BW, GH, GM, KE, LS, MW, MZ, NA, SD, SL, SZ, TZ, UG, ZM, ZW), Eurasian (AM, AZ, BY, KG, KZ, MD, RU, TJ, TM), European (AT, BE, BG, CH, CY, CZ, DE, DK, EE, ES, FI, FR, GB, GR, HR, HU, IE, IS, IT, LT, LU, LV, MC, MT, NL, NO, PL, PT, RO, SE, SI, SK, TR), OAPI (BF, BJ, CF, CG, CI, CM, GA, GN, GQ, GW, ML, MR, NE, SN, TD, TG).

Declaration under Rule 4.17:

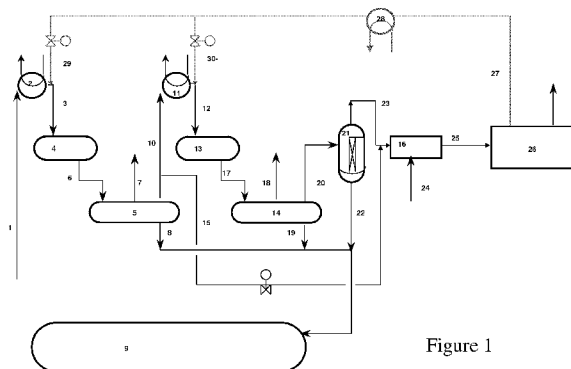
— as to applicant's entitlement to apply for and be granted a patent (Rule 4.17(ii))

Published:

— with international search report

(88) Date of publication of the international search report:
12 February 2009

(54) Title: PROCESS FOR PRODUCING A PURIFIED GAS



(57) Abstract: A process for producing purified gas from a sour gas comprising H₂S, the process comprising the steps of : (a) contacting a sour gas comprising H₂S with an absorbing liquid for H₂S to transfer H₂S from the sour gas to the absorbing liquid, thereby producing an H₂S- rich absorbing liquid and the purified gas; (b) transferring H₂S from the H₂S-rich absorbing liquid to a stripping gas, thereby obtaining a feed acid gas stream enriched in H₂S; (c) providing the feed acid gas stream enriched in H₂S and a gas stream comprising SO₂ to a sulphur recovery system comprising two or more Claus catalytic stages in series, each Claus catalytic stage comprising a Claus catalytic reactor coupled to a sulphur condenser, wherein either the feed acid gas stream enriched in H₂S or the gas stream comprising SO₂ is completely routed to the first Claus catalytic stage while the other stream is split into two or more substreams and each of the two or more substreams are supplied to a different Claus catalytic stage, wherein the amount of feed acid gas stream enriched in H₂S or the amount of gas stream comprising SO₂ is supplied to the Claus catalytic stages in dependence of the temperature in the Claus catalytic reactors to enable that the temperature in the Claus catalytic reactors is moderated; (d) reacting at least part of the H₂S in the feed acid gas stream enriched in H₂S with SO₂ to elemental sulphur in the two or more Claus catalytic reactors.



WO 2008/145680 A3

INTERNATIONAL SEARCH REPORT

International application No

PCT/EP2008/056571

A. CLASSIFICATION OF SUBJECT MATTER
INV. B01D53/86 C01B17/04

According to International Patent Classification (IPC) or to both national classification and IPC

B. FIELDS SEARCHED

Minimum documentation searched (classification system followed by classification symbols)

C01B B01D C10L

Documentation searched other than minimum documentation to the extent that such documents are included in the fields searched

Electronic data base consulted during the international search (name of data base and, where practical, search terms used)

EPO-Internal, WPI Data

C. DOCUMENTS CONSIDERED TO BE RELEVANT

Category	Citation of document, with indication, where appropriate, of the relevant passages	Relevant to claim No.
X	WO 2006/016979 A (EXXONMOBIL UPSTREAM RES CO [US]; SPARLING CHRISTOPHER W [US]; NORTHROP) 16 February 2006 (2006-02-16)	1-4, 6-10
Y	claims 34, 35 paragraphs [0084], [0085] claims 1, 15 paragraph [0062] figures 1, 4 paragraph [0007] claim 40 paragraph [0051]	5
A	DE 32 37 387 A1 (LINDE AG [DE]) 12 April 1984 (1984-04-12) the whole document ----- -/--	5-7

 Further documents are listed in the continuation of Box C. See patent family annex.

* Special categories of cited documents:

- *A* document defining the general state of the art which is not considered to be of particular relevance
- *E* earlier document but published on or after the international filing date
- *L* document which may throw doubts on priority claim(s) or which is cited to establish the publication date of another citation or other special reason (as specified)
- *O* document referring to an oral disclosure, use, exhibition or other means
- *P* document published prior to the international filing date but later than the priority date claimed

- *T* later document published after the international filing date or priority date and not in conflict with the application but cited to understand the principle or theory underlying the invention
- *X* document of particular relevance; the claimed invention cannot be considered novel or cannot be considered to involve an inventive step when the document is taken alone
- *Y* document of particular relevance; the claimed invention cannot be considered to involve an inventive step when the document is combined with one or more other such documents, such combination being obvious to a person skilled in the art.
- * & * document member of the same patent family

Date of the actual completion of the international search

9 September 2008

Date of mailing of the international search report

27/11/2008

Name and mailing address of the ISA/

European Patent Office, P.B. 5818 Patentlaan 2
NL - 2280 HV Rijswijk
Tel. (+31-70) 340-2040,
Fax: (+31-70) 340-3016

Authorized officer

Fischer, Michael

INTERNATIONAL SEARCH REPORT

International application No

PCT/EP2008/056571

C(Continuation). DOCUMENTS CONSIDERED TO BE RELEVANT		
Category*	Citation of document, with indication, where appropriate, of the relevant passages	Relevant to claim No.
	& DATABASE WPI Week 198416 Thomson Scientific, London, GB; AN 1984-095951 & DE 32 37 387 A (LINDE AG) 12 April 1984 (1984-04-12) abstract	
Y	US 4 279 882 A (BEAVON DAVID K) 21 July 1981 (1981-07-21) claim 1 column 2, line 42 - line 47	5
A	EP 1 642 864 A (MECS INC [US]) 5 April 2006 (2006-04-05) paragraph [0038] paragraph [0031]	1-10
Y	US 6 776 974 B1 (BURMASTER BRIAN M [US] ET AL) 17 August 2004 (2004-08-17) column 7, line 64 - column 8, line 29 column 10, line 48 - line 60	5
A	US 4 552 572 A (GALSTAUN LIONEL S [US]) 12 November 1985 (1985-11-12) claim 12 column 2, line 14 - line 29	8-10
A	KOHL, ARTHUR L.; NIELSEN, RICHARD B.: "GAS PURIFICATION" [Online] 28 August 1997 (1997-08-28), GULF PUBLISHING 5, XPO02472341 ISBN: 978-0-88415-220-0 page 713 figures 8-26	1-10
A	WO 03/082455 A (TDA RES INC [US]) 9 October 2003 (2003-10-09) page 14, paragraph 2	1-10
A	ANONYMOUS: "Increasing the capacity of Claus systems through oxygen enrichment" LINDE INDUSTRY KNOW-HOW: CHEMICAL INDUSTRY (REFINERIES), [Online] 20 March 2003 (2003-03-20), XPO02494979 Retrieved from the Internet: URL: http://web.archive.org/web/20060320183058/http://www.linde-gas.com/International/Web/LG/COM/like1gcom30.nsf/repositorybyalias/pdf_claus/\$file/Claus_e.pdf [retrieved on 2008-09-09] the whole document	1-10

INTERNATIONAL SEARCH REPORT

Information on patent family members

International application No

PCT/EP2008/056571

Patent document cited in search report	Publication date	Patent family member(s)	Publication date
WO 2006016979	A	16-02-2006	CA 2567790 A1 16-02-2006
			DE 112005001658 T5 06-06-2007
			US 2008107581 A1 08-05-2008
DE 3237387	A1	12-04-1984	CA 1213126 A1 28-10-1986
			CS 8307377 A2 14-11-1989
			DD 230791 A1 11-12-1985
			EP 0108247 A1 16-05-1984
			US 4659553 A 21-04-1987
US 4279882	A	21-07-1981	CA 1137279 A1 14-12-1982
			DE 3015800 A1 06-11-1980
			JP 1750277 C 08-04-1993
			JP 4027167 B 11-05-1992
			JP 56005305 A 20-01-1981
			ZA 8002199 A 27-05-1981
EP 1642864	A	05-04-2006	NONE
US 6776974	B1	17-08-2004	NONE
US 4552572	A	12-11-1985	BE 900238 A1 16-11-1984
			JP 60156528 A 16-08-1985
WO 03082455	A	09-10-2003	AU 2003222204 A1 13-10-2003