



(12) **United States Design Patent** (10) **Patent No.:** **US D856,238 S**
Buckingham (45) **Date of Patent:** **** Aug. 13, 2019**

(54) **TRUNK LID FOR A VEHICLE** 8,083,260 B2 * 12/2011 Haynes B60J 11/06
 280/770
 (71) Applicant: **Bayerische Motoren Werke** D663,666 S * 7/2012 Matsumoto D12/196
Aktiengesellschaft, Munich (DE) 8,251,431 B2 * 8/2012 Nakazato E05D 5/062
 296/146.11
 (72) Inventor: **John-Daniel Buckingham**, Woodland D676,793 S * 2/2013 Yamada D12/196
 Hills, CA (US) D682,757 S * 5/2013 Song D12/196
 D695,177 S * 12/2013 Matsueda D12/196
 (Continued)

(73) Assignee: **Bayerische Motoren Werke**
Aktiengesellschaft, Munich (DE)

(**) Term: **15 Years**

(21) Appl. No.: **29/624,739**

(22) Filed: **Nov. 3, 2017**

(30) **Foreign Application Priority Data**

May 10, 2017 (DE) 40 2017 100 574

(51) **LOC (12) Cl.** **12-16**

(52) **U.S. Cl.**

USPC **D12/196**

(58) **Field of Classification Search**

USPC D12/86, 90, 91, 92, 163, 169, 171, 183,
 D12/196, 216

CPC . B60J 11/00; B60J 11/06; B60R 13/00; B60R
 13/10; B62D 25/10; B62D 35/00; B62D

35/007; E05D 5/062

See application file for complete search history.

(56) **References Cited**

U.S. PATENT DOCUMENTS

D286,527 S * 11/1986 Envall D12/183
 5,172,954 A * 12/1992 Yamazaki B62D 35/007
 296/180.1
 D414,734 S * 10/1999 Bangle D12/196
 6,582,006 B1 * 6/2003 Burch B60R 13/10
 296/100.06
 7,478,492 B2 * 1/2009 Madonia B60K 35/00
 345/204

FOREIGN PATENT DOCUMENTS

WO WO DM/066982 10/2005
 WO WO DM/073504 10/2010

Primary Examiner — Susan Bennett Hattan

Assistant Examiner — Suzanne E Tisdell

(74) *Attorney, Agent, or Firm* — Crowell & Moring LLP

(57) **CLAIM**

The ornamental design for a trunk lid for a vehicle, as shown and described.

DESCRIPTION

This application contains subject matter related to the following co-pending U.S. design patent applications:

Application Ser. No. 29/624,716, filed herewith and entitled "Vehicle, Toy, and/or Replicas Thereof";

Application Ser. No. 29/624,740, filed herewith and entitled "Trunk Lid for a Vehicle"; and

Application Ser. No. 29/624,741, filed herewith and entitled "Trunk Lid for a Vehicle".

FIG. 1 is a top view of a trunk lid for a vehicle according to the design;

FIG. 2 is a front view thereof;

FIG. 3 is a left, front perspective view thereof;

FIG. 4 is a right, front perspective view thereof;

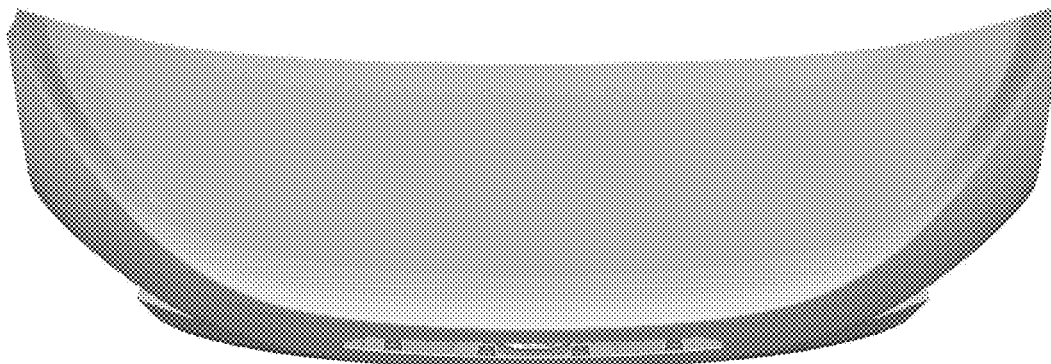
FIG. 5 is a left side view thereof;

FIG. 6 is a right side view thereof;

FIG. 7 is a bottom view thereof; and,

FIG. 8 is a rear view thereof.

1 Claim, 8 Drawing Sheets



(56)

References Cited

U.S. PATENT DOCUMENTS

9,011,056	B2	*	4/2015	Malmstrom	B60P 7/0892	
						410/121	
D731,942	S	*	6/2015	Hammoud	D12/196	
D743,864	S	*	11/2015	Loeb	D12/196	
D780,076	S	*	2/2017	Peat	D12/164	
D784,885	S	*	4/2017	Curic	D12/196	
D785,532	S	*	5/2017	Park	D12/196	
D791,030	S	*	7/2017	Faghihzadeh	D12/196	
D797,631	S	*	9/2017	Pevovar	D12/196	
D800,021	S	*	10/2017	Hagino	D12/92	
D804,384	S	*	12/2017	Park	D12/196	
D813,773	S	*	3/2018	Cho	D12/196	
D818,922	S	*	5/2018	Whitla	D12/196	
D823,211	S	*	7/2018	Lim	D12/196	
D823,762	S	*	7/2018	Loeb	D12/196	

* cited by examiner

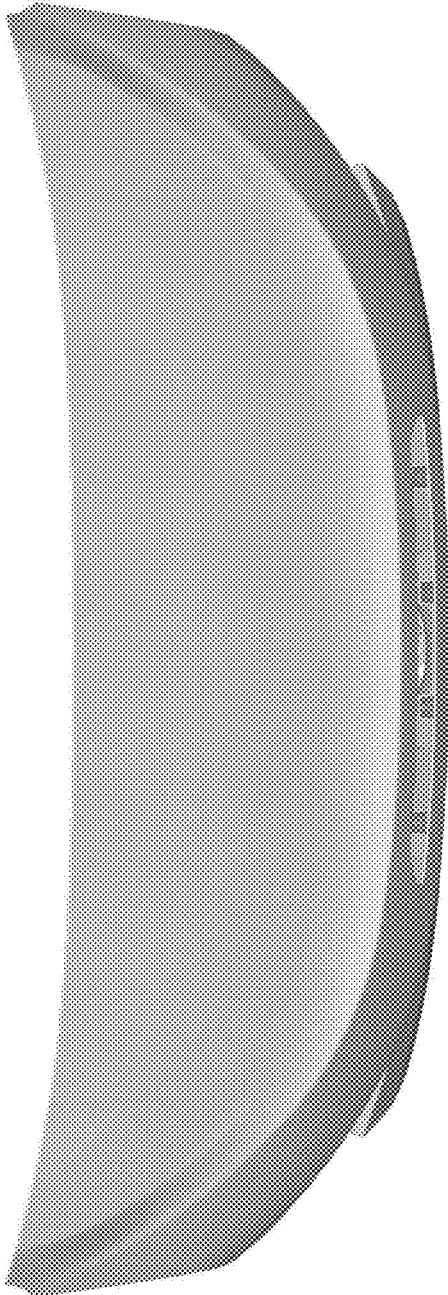


Fig. 1

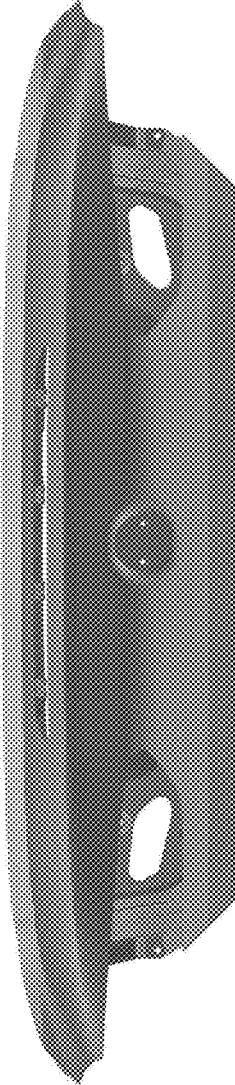


Fig. 2

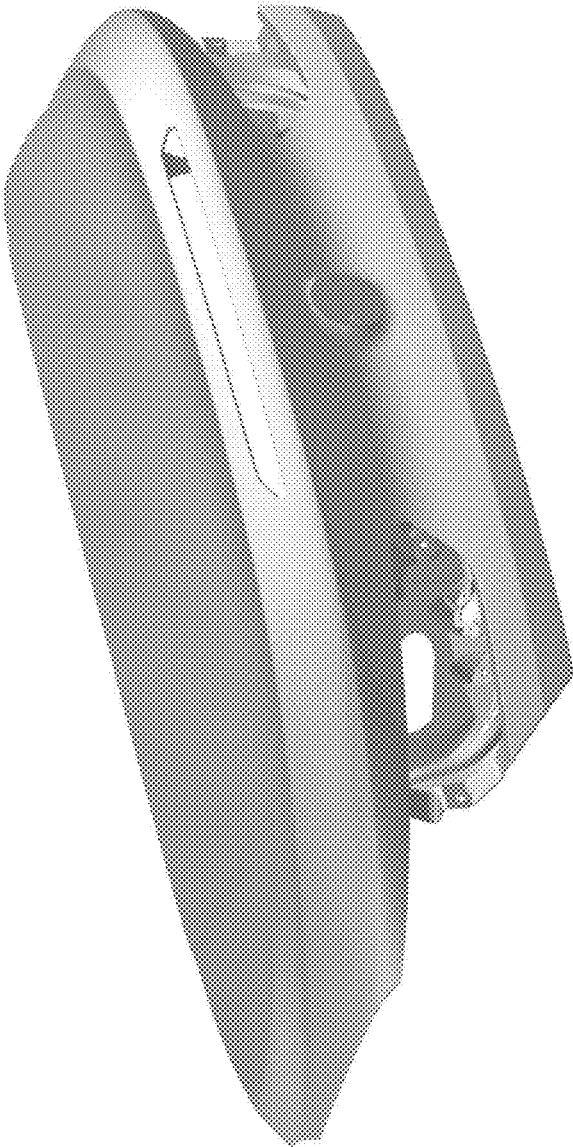


Fig. 3

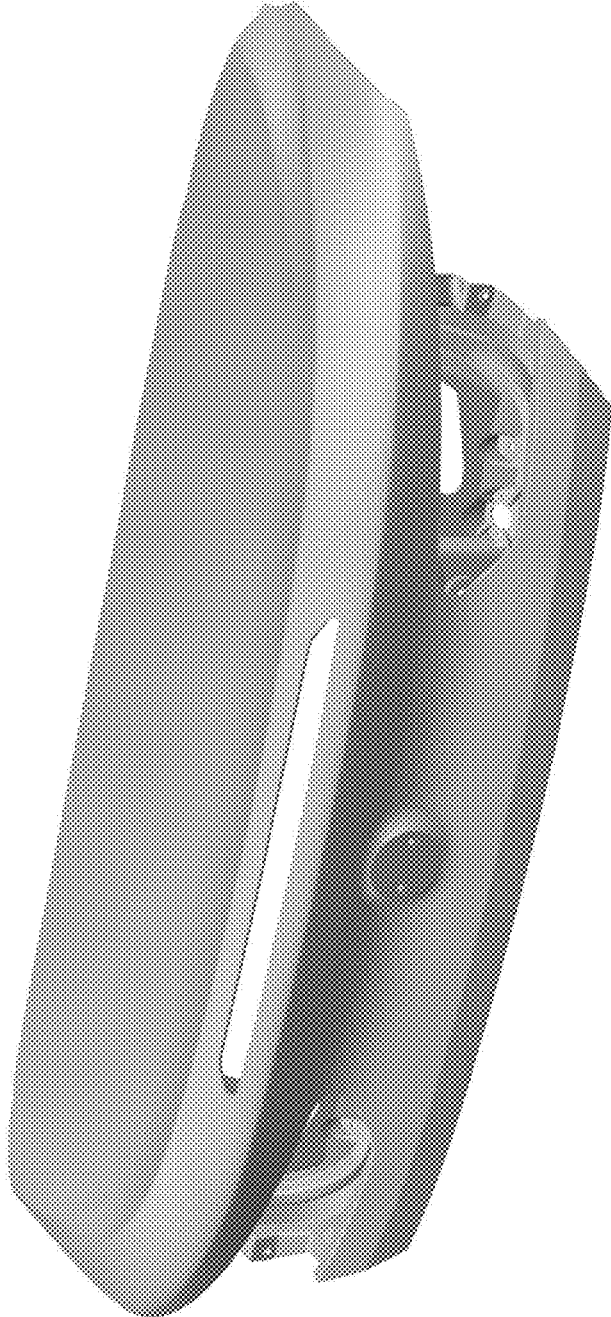


Fig. 4

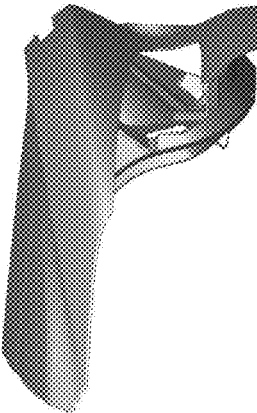


Fig. 5

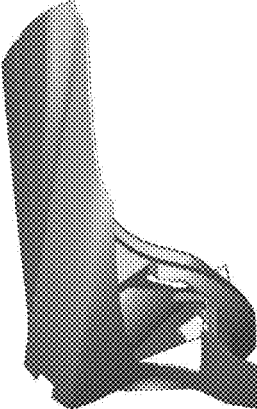


Fig. 6

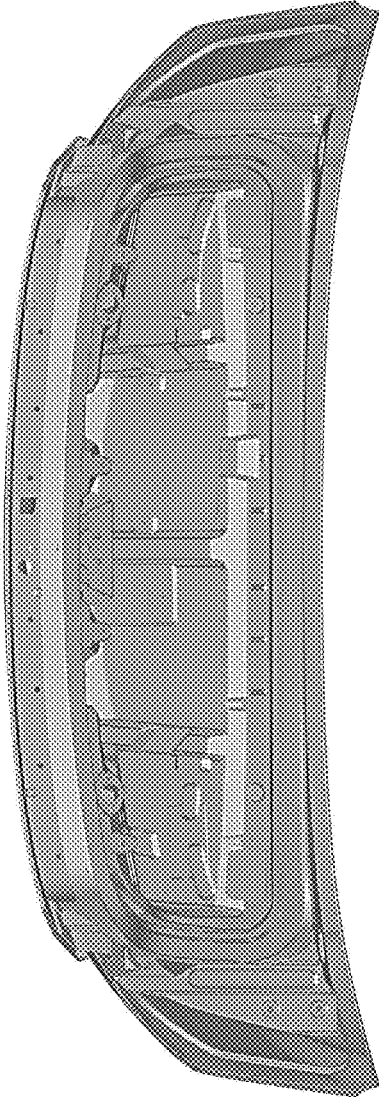


Fig. 7

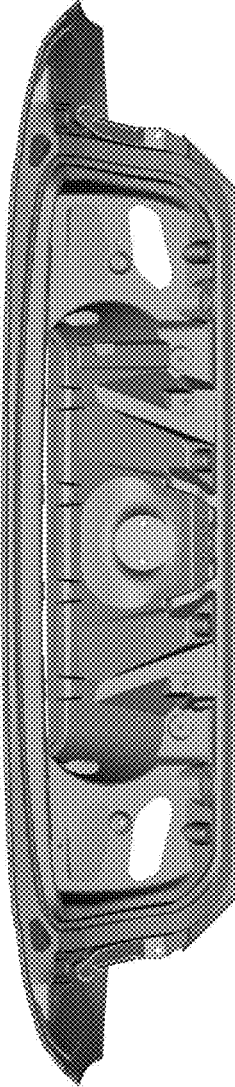


Fig. 8