

(19) World Intellectual Property Organization  
International Bureau



(43) International Publication Date  
9 June 2011 (09.06.2011)

(10) International Publication Number  
**WO 2011/069129 A3**

(51) International Patent Classification:  
*H01R 24/38* (2011.01) *H01R 9/05* (2006.01)

(21) International Application Number:  
PCT/US2010/058992

(22) International Filing Date:  
3 December 2010 (03.12.2010)

(25) Filing Language: English

(26) Publication Language: English

(30) Priority Data:  
12/630,460 3 December 2009 (03.12.2009) US

(71) Applicant (for all designated States except US): **JOHN MEZZALINGUA ASSOCIATES, INC.** [US/US]; Legal Department, 6176 East Molloy Rd, East Syracuse, New York 13057 (US).

(72) Inventor; and

(75) Inventor/Applicant (for US only): **MONTENA, Noah P.** [US/US]; 124 Buckingham Avenue, Syracuse, New York 13210 (US).

(74) Agents: **YODER, Stephen R.** et al.; John Mezzalingua Associates, Inc., 6176 East Molloy Rd., East Syracuse, New York 13057 (US).

(81) Designated States (unless otherwise indicated, for every kind of national protection available): AE, AG, AL, AM,

AO, AT, AU, AZ, BA, BB, BG, BH, BR, BW, BY, BZ, CA, CH, CL, CN, CO, CR, CU, CZ, DE, DK, DM, DO, DZ, EC, EE, EG, ES, FI, GB, GD, GE, GH, GM, GT, HN, HR, HU, ID, IL, IN, IS, JP, KE, KG, KM, KN, KP, KR, KZ, LA, LC, LK, LR, LS, LT, LU, LY, MA, MD, ME, MG, MK, MN, MW, MX, MY, MZ, NA, NG, NI, NO, NZ, OM, PE, PG, PH, PL, PT, RO, RS, RU, SC, SD, SE, SG, SK, SL, SM, ST, SV, SY, TH, TJ, TM, TN, TR, TT, TZ, UA, UG, US, UZ, VC, VN, ZA, ZM, ZW.

(84) Designated States (unless otherwise indicated, for every kind of regional protection available): ARIPO (BW, GH, GM, KE, LR, LS, MW, MZ, NA, SD, SL, SZ, TZ, UG, ZM, ZW), Eurasian (AM, AZ, BY, KG, KZ, MD, RU, TJ, TM), European (AL, AT, BE, BG, CH, CY, CZ, DE, DK, EE, ES, FI, FR, GB, GR, HR, HU, IE, IS, IT, LT, LU, LV, MC, MK, MT, NL, NO, PL, PT, RO, RS, SE, SI, SK, SM, TR), OAPI (BF, BJ, CF, CG, CI, CM, GA, GN, GQ, GW, ML, MR, NE, SN, TD, TG).

Published:

- with international search report (Art. 21(3))
- before the expiration of the time limit for amending the claims and to be republished in the event of receipt of amendments (Rule 48.2(h))

(88) Date of publication of the international search report:  
29 September 2011

(54) Title: COAXIAL CABLE CONNECTOR WITH AN INTERNAL COUPLER AND METHOD OF USE THEREOF

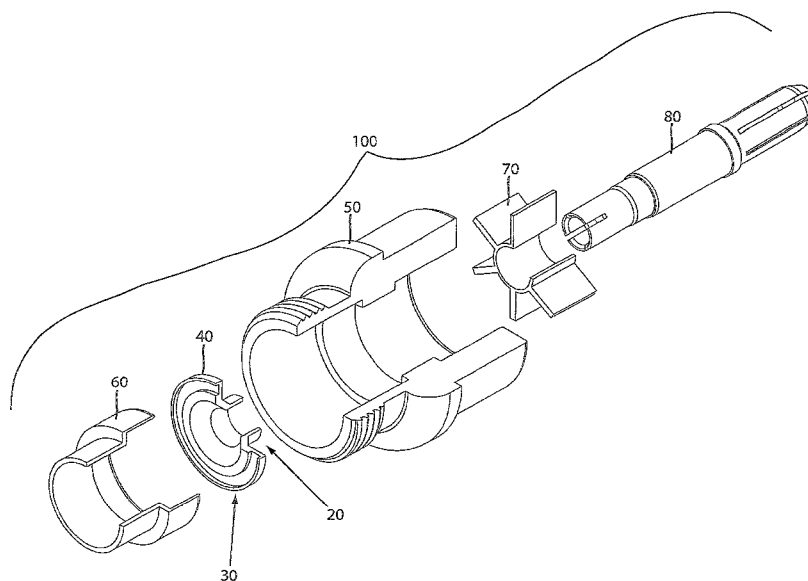


FIG. 1

(57) Abstract: A coaxial cable connector is provided, the connector includes: a connector body; a coupling circuit positioned within the connector body and configured to sense an electrical signal flowing through the connector; and an electrical parameter sensing circuit positioned within the connector body and configured to sense a parameter of the electrical signal flowing through the RF port.



WO 2011/069129 A3

## INTERNATIONAL SEARCH REPORT

International application No.  
**PCT/US2010/058992****A. CLASSIFICATION OF SUBJECT MATTER****H01R 24/38(2011.01)i, H01R 9/05(2006.01)i**

According to International Patent Classification (IPC) or to both national classification and IPC

**B. FIELDS SEARCHED**

Minimum documentation searched (classification system followed by classification symbols)

H01R 24/38; H01R 13/627; H01R 4/26; H01R 9/05

Documentation searched other than minimum documentation to the extent that such documents are included in the fields searched

Korean utility models and applications for utility models

Japanese utility models and applications for utility models

Electronic data base consulted during the international search (name of data base and, where practicable, search terms used)

eKOMPASS(KIPO internal) &amp; Keywords:coaxial,cable,sensing, RF

**C. DOCUMENTS CONSIDERED TO BE RELEVANT**

Category*	Citation of document, with indication, where appropriate, of the relevant passages	Relevant to claim No.
A	US 05620330A A (PIZON; ERNEST) 15 April 1997 See column 3, line 37 - column 5, line 16 and figures 1, 2.	1-31
A	US 05664962A A (NODA; SADA0) 09 September 1997 See column 3, line 31 - column 6, line 36 and figures 1-8.	1-31
A	US 7513795 B1 (SHAW GLEN DAVID) 07 April 2009 See column 9, line 11 - column 10, line 64 and figures 1-4.	1-31

 Further documents are listed in the continuation of Box C. See patent family annex.

\* Special categories of cited documents:

"A" document defining the general state of the art which is not considered to be of particular relevance

"E" earlier application or patent but published on or after the international filing date

"L" document which may throw doubts on priority claim(s) or which is cited to establish the publication date of citation or other special reason (as specified)

"O" document referring to an oral disclosure, use, exhibition or other means

"P" document published prior to the international filing date but later than the priority date claimed

"T" later document published after the international filing date or priority date and not in conflict with the application but cited to understand the principle or theory underlying the invention

"X" document of particular relevance; the claimed invention cannot be considered novel or cannot be considered to involve an inventive step when the document is taken alone

"Y" document of particular relevance; the claimed invention cannot be considered to involve an inventive step when the document is combined with one or more other such documents, such combination being obvious to a person skilled in the art

"&amp;" document member of the same patent family

Date of the actual completion of the international search

29 JULY 2011 (29.07.2011)

Date of mailing of the international search report

**29 JULY 2011 (29.07.2011)**

Name and mailing address of the ISA/KR

Korean Intellectual Property Office  
Government Complex-Daejeon, 189 Cheongsu-ro,  
Seo-gu, Daejeon 302-701, Republic of Korea

Facsimile No. 82-42-472-7140

Authorized officer

KIM, Sung Hee

Telephone No. 82-42-481-5889



**INTERNATIONAL SEARCH REPORT**

Information on patent family members

International application No.

**PCT/US2010/058992**

Patent document cited in search report	Publication date	Patent family member(s)	Publication date
US 05620330A A	15.04.1997	None	
US 05664962A A	09.09.1997	JP 02-572933 B2 JP 06-349533 A JP 2572933 B2	24.10.1996 22.12.1994 16.01.1997
US 7513795 B1	07.04.2009	CN 101465480 A CN 101465480 A US 2009-0170360 A1 US 2009-0176407 A1 US 2009-176407 A1 US 2011-0065317 A1 US 7841896 B2	24.06.2009 24.06.2009 02.07.2009 09.07.2009 09.07.2009 17.03.2011 30.11.2010