



US00D569751S

(12) **United States Design Patent**
Boutiette

(10) **Patent No.:** **US D569,751 S**

(45) **Date of Patent:** **** May 27, 2008**

(54) **EGG SCALE**

(57) **CLAIM**

(76) Inventor: **Paul K. Boutiette**, 19 Holt Rd., P.O.
Box 302, Manchaug, MA (US) 01526

The ornamental design for an egg scale, as described and shown.

(**) Term: **14 Years**

(21) Appl. No.: **29/280,175**

DESCRIPTION

(22) Filed: **May 18, 2007**

(51) **LOC (8) Cl.** **10-04**

(52) **U.S. Cl.** **D10/90**

(58) **Field of Classification Search** D10/89-90;
177/151-152, 175-176, 184-189, 193, 212,
177/214, 216, 224, 229, 238-244; 209/513
See application file for complete search history.

FIG. 1 is a perspective view of the egg scale of the invention;
FIG. 2 is a front elevational view of the egg scale of FIG. 1;
FIG. 3 is a rear elevational view of the egg scale of FIG. 1;
FIG. 4 is left side elevational view of the egg scale of FIG. 1;
FIG. 5 is right side elevational view of the egg scale of FIG. 1;
FIG. 6 is top plan view of the egg scale of FIG. 1;
FIG. 7 is bottom plan view of the egg scale of FIG. 1;
FIG. 8 is a perspective view of a second embodiment of the egg scale of FIG. 1., the only difference being the text has been removed; and,
FIG. 9 is front elevational view of the egg scale of FIG. 8.

(56) **References Cited**

U.S. PATENT DOCUMENTS

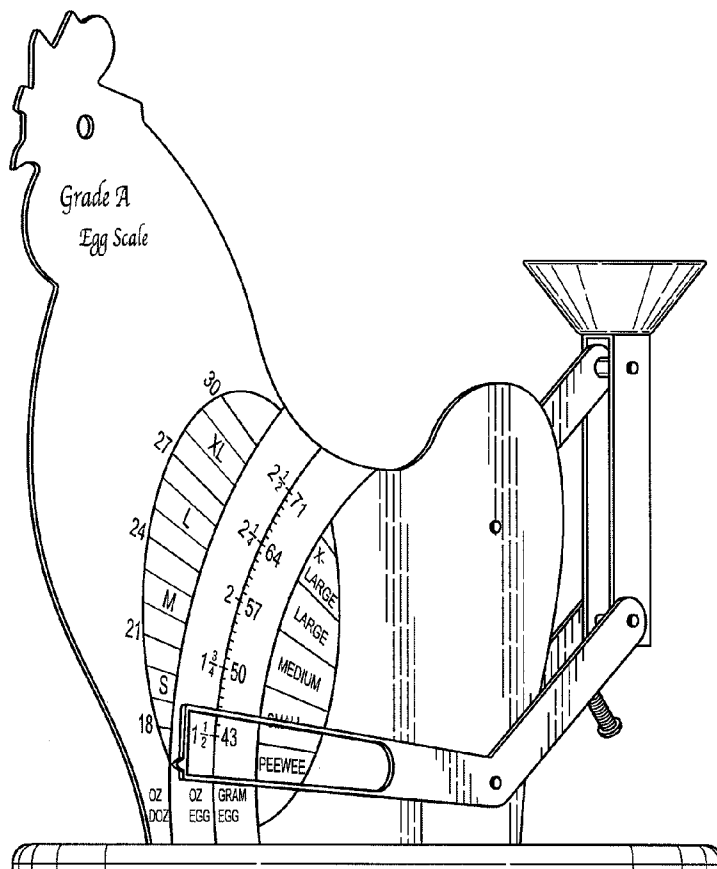
472,358 A * 4/1892 Itjen 177/244
D35,970 S * 7/1902 Sargent D10/90

* cited by examiner

Primary Examiner—Antoine D. Davis

(74) *Attorney, Agent, or Firm*—Brian M. Dingman; Mirick,
O'Connell, DeMallie & Lougee, LLP

1 Claim, 8 Drawing Sheets



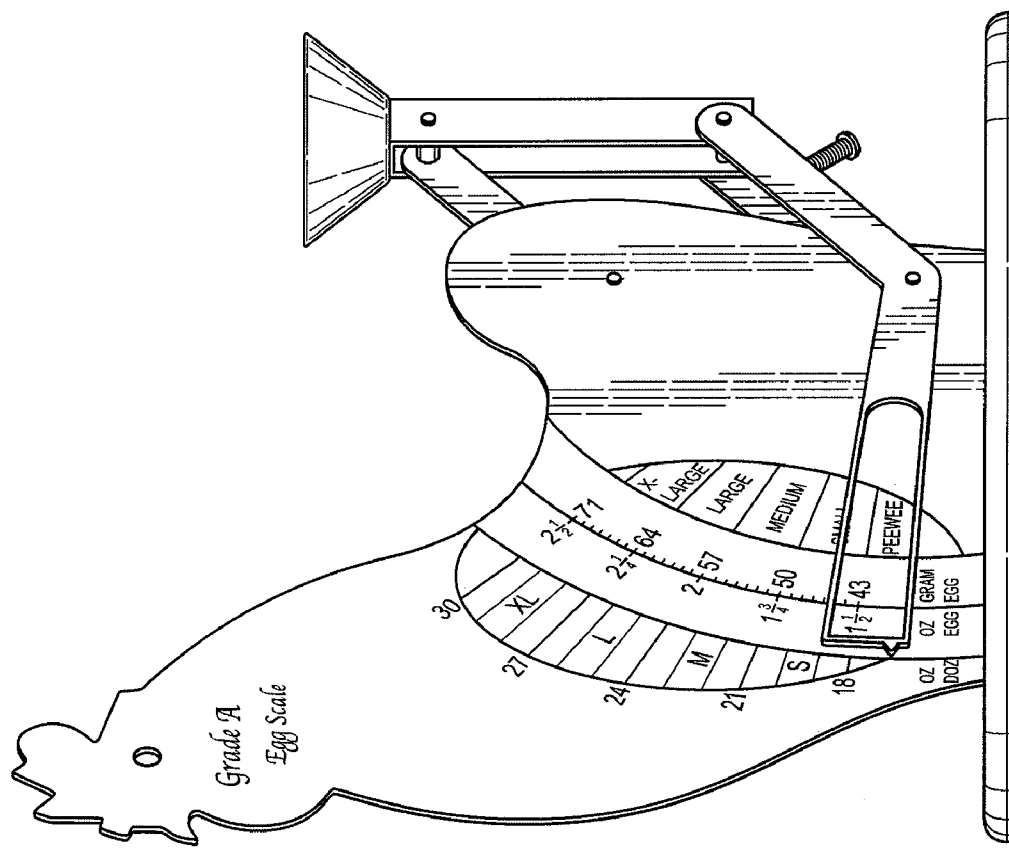


FIG. 1

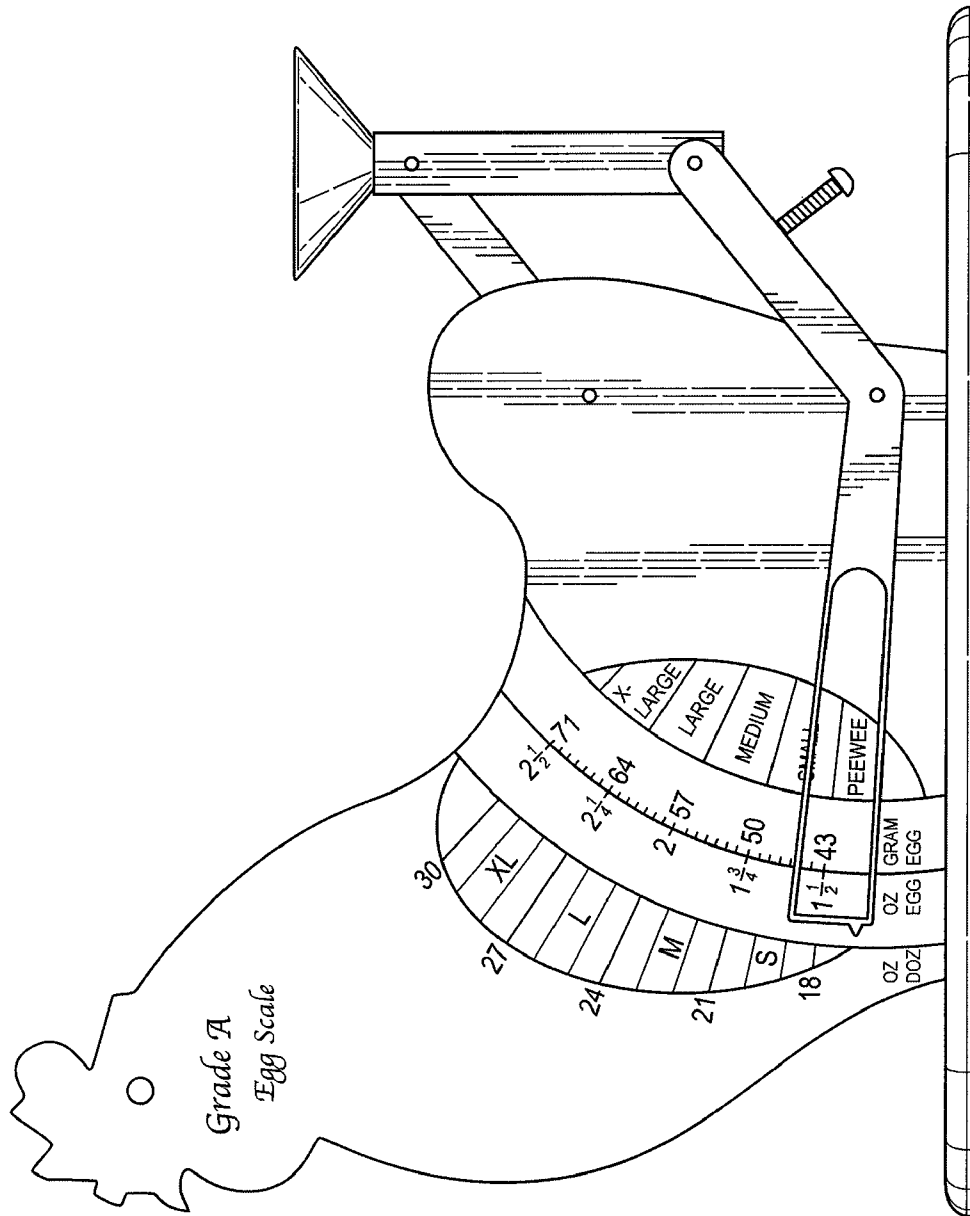


FIG. 2

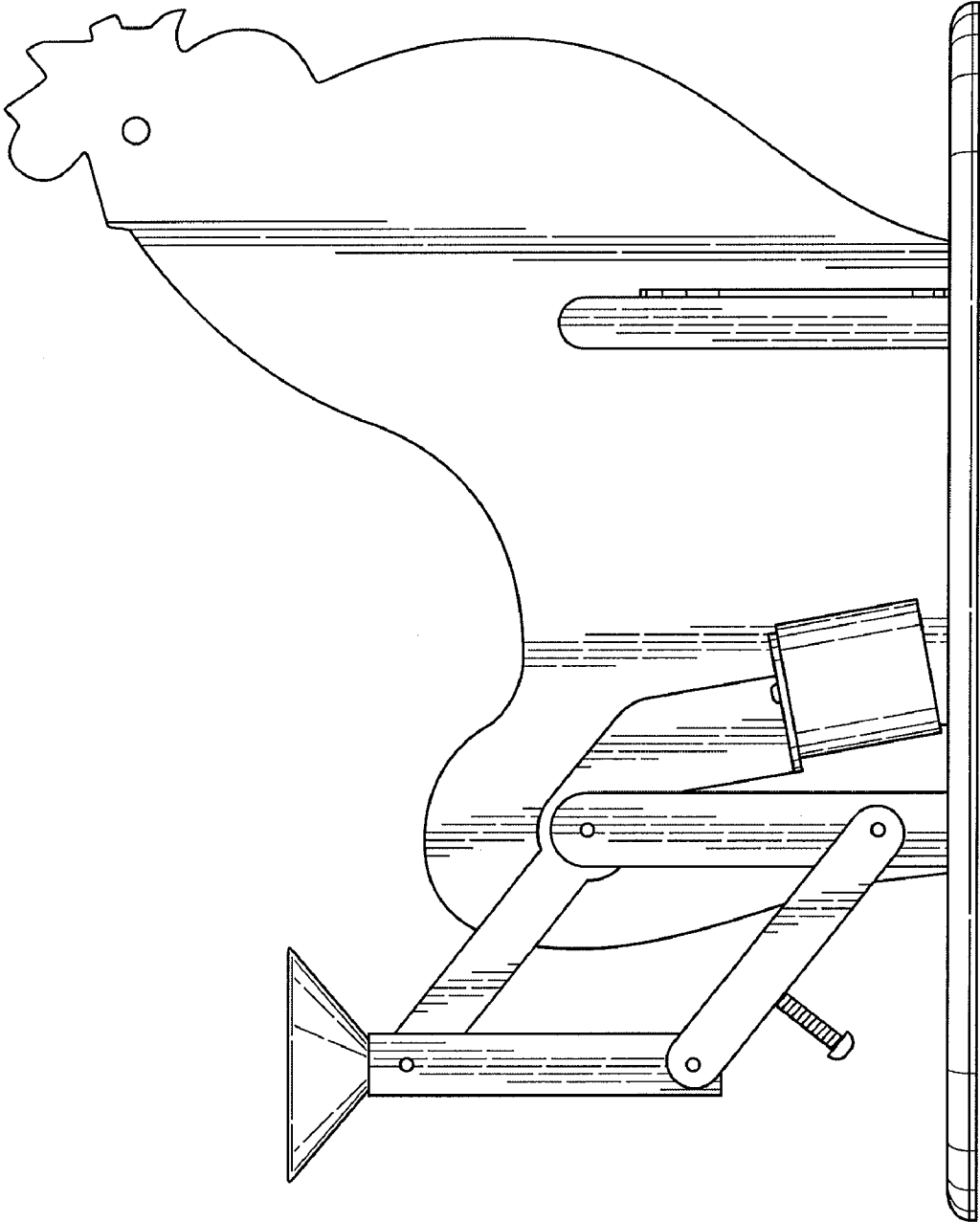


FIG. 3

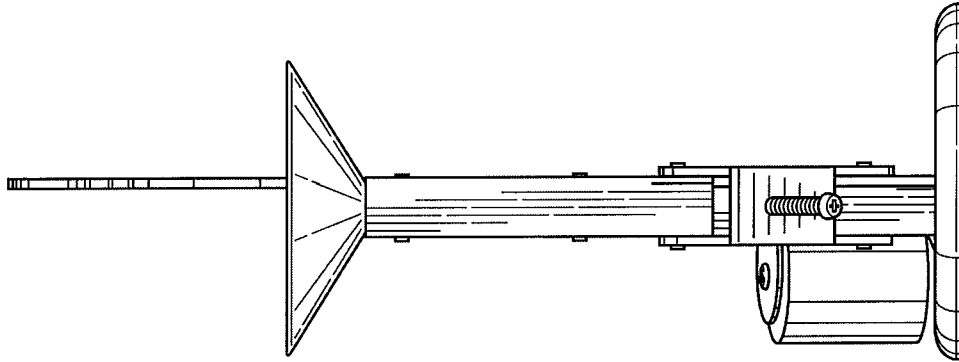


FIG. 5

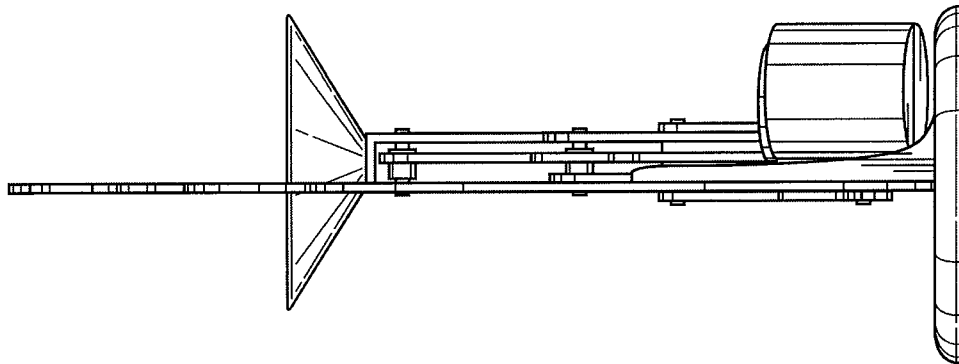


FIG. 4

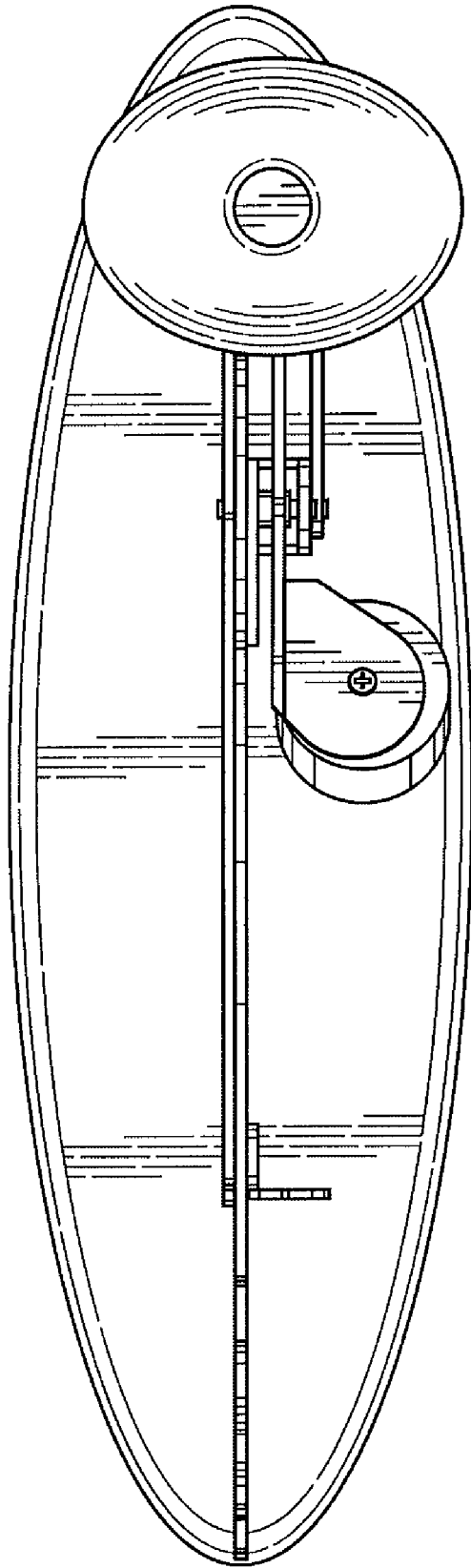


FIG. 6

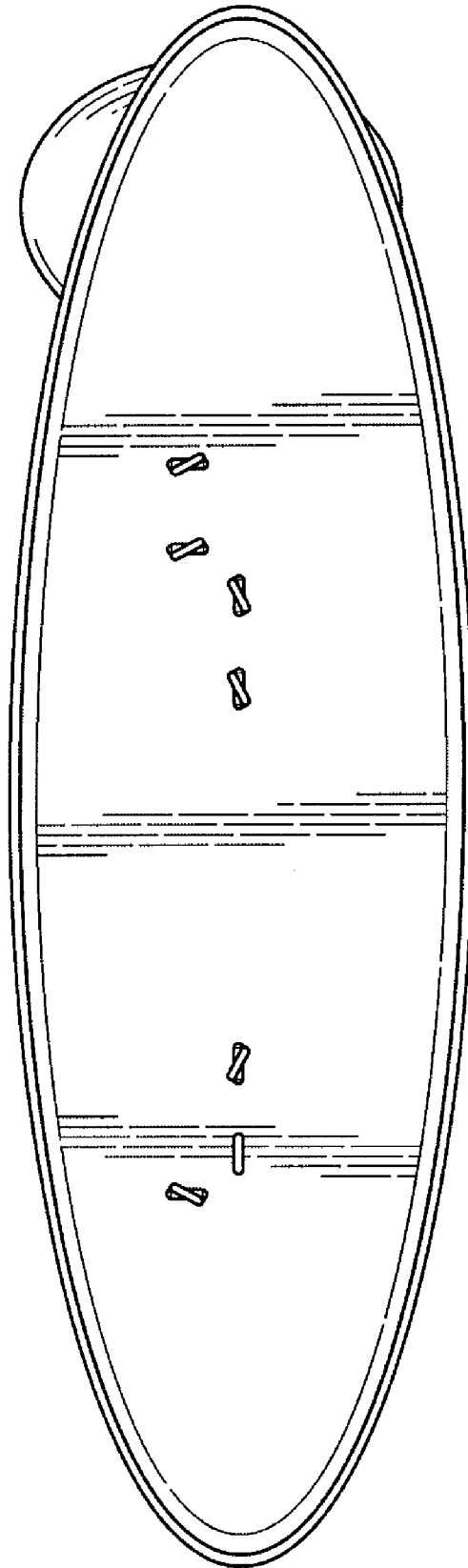


FIG. 7

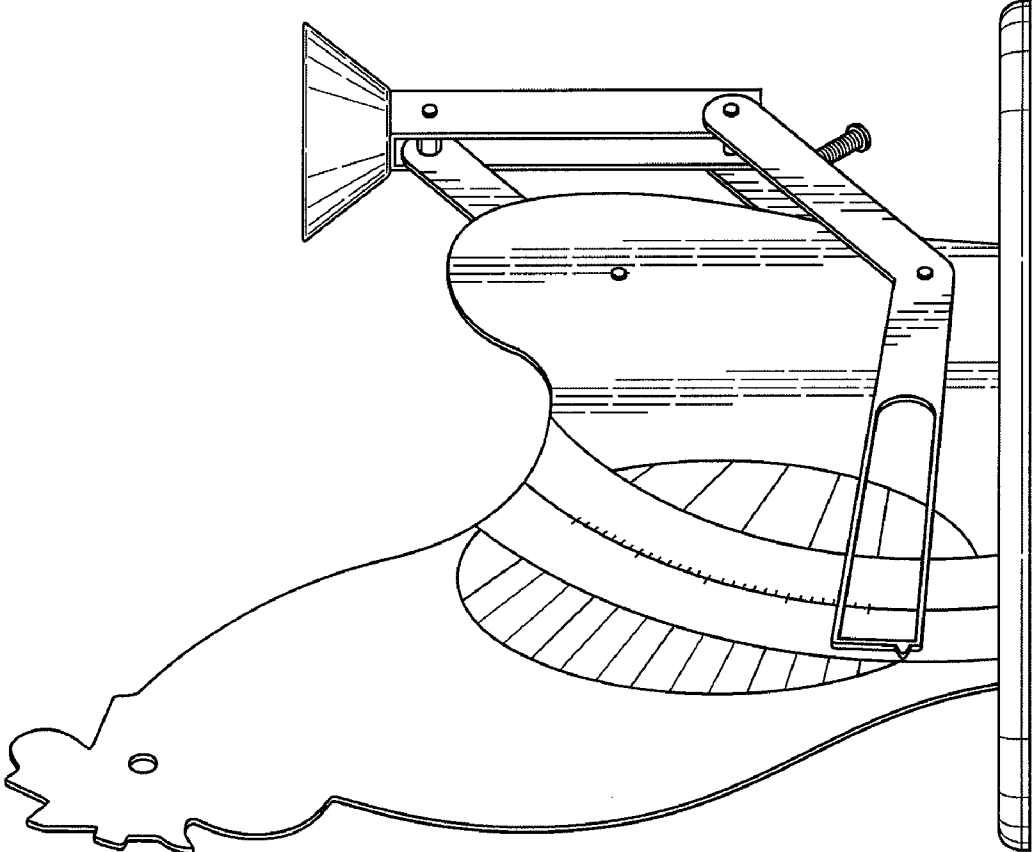


FIG. 8

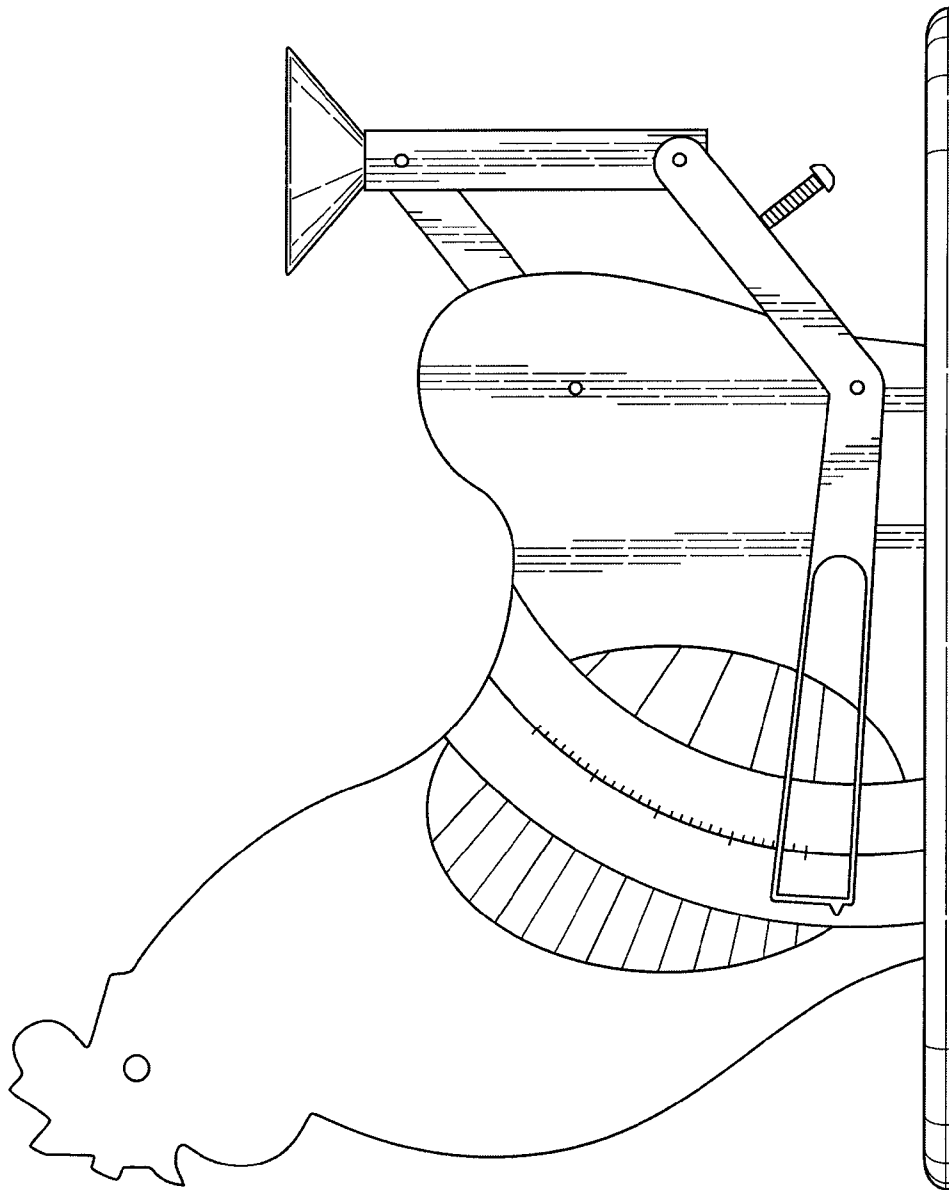


FIG. 9