



US00D346938S

United States Patent [19]

[11] Patent Number: **Des. 346,938**

Tucker

[45] Date of Patent: **** May 17, 1994**

[54] SAND TRAP GROOMING RAKE

[76] Inventor: **Jesse J. Tucker**, 2001 Brookside Dr., Findlay, Ohio 45840

[**] Term: **14 Years**

[21] Appl. No.: **3,638**

[22] Filed: **Jan. 12, 1993**

[52] U.S. Cl. **D8/13**

[58] Field of Search D8/9, 7, 13; 56/400.21, 56/13.9; 172/612

[56] **References Cited**

U.S. PATENT DOCUMENTS

D. 173,546	11/1954	Stromberg	D8/13
D. 249,013	8/1978	Carman	D8/13
D. 251,768	5/1979	Dellinger	D8/7
D. 268,000	2/1983	Dellinger	D8/8
D. 273,656	5/1984	Dellinger	D8/8
3,952,482	4/1976	Quick	56/13.9
4,102,405	7/1978	Carman	273/32
4,774,804	10/1988	Sands	56/400.04
5,012,872	5/1991	Cohn	56/400.04

OTHER PUBLICATIONS

Brookstone Catalog, Jan. 1986, p. 53, cultivator, located in lower left corner.

Primary Examiner—Wallace R. Burke

Assistant Examiner—H. Baynham

Attorney, Agent, or Firm—Terry M. Gernstein

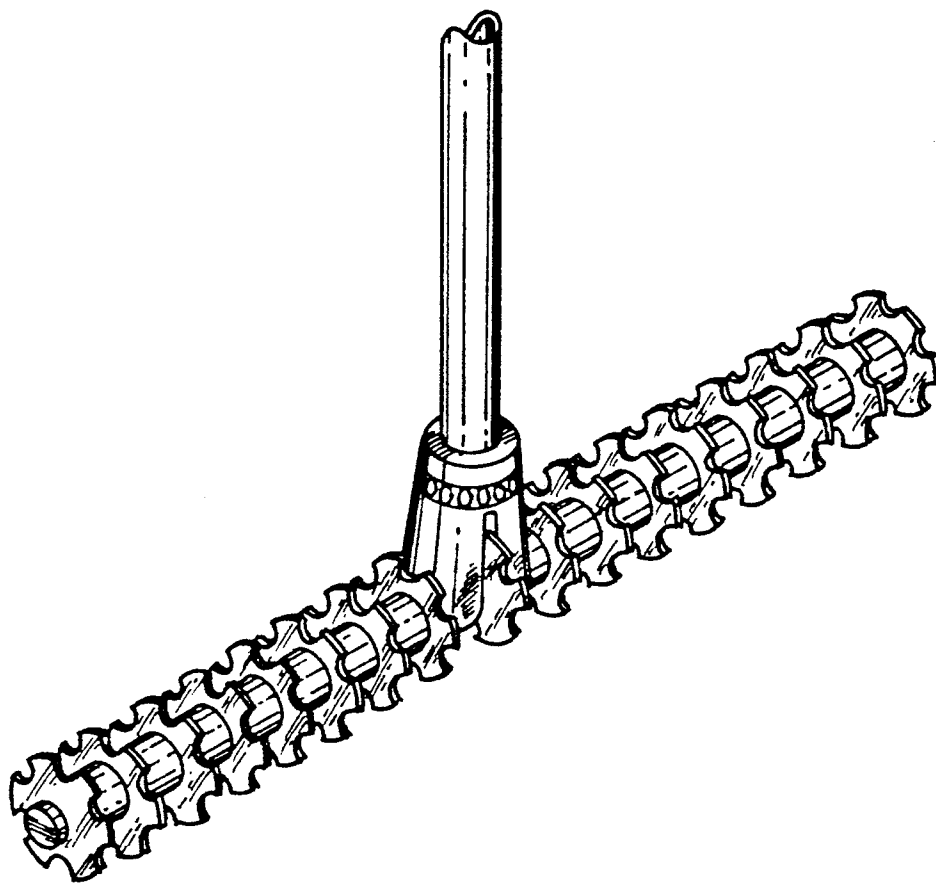
[57] CLAIM

The ornamental design for a sand trap grooming rake, as shown and described.

DESCRIPTION

FIG. 1 is a front, top and side perspective view of the sand trap grooming rake showing my new design; FIG. 2 is an end elevational view thereof, the end opposite being a mirror image of the end shown in FIG. 2; FIG. 3 is a front elevational view thereof, the rear being a mirror image of the front shown in FIG. 3; FIG. 4 is a top plan view thereof; and, FIG. 5 is a bottom plan view thereof.

The handle being partially shown for the sake of convenience of illustration, the undisclosed portion of the handle being plain and unornamented and the top end being conventionally hemispherical.



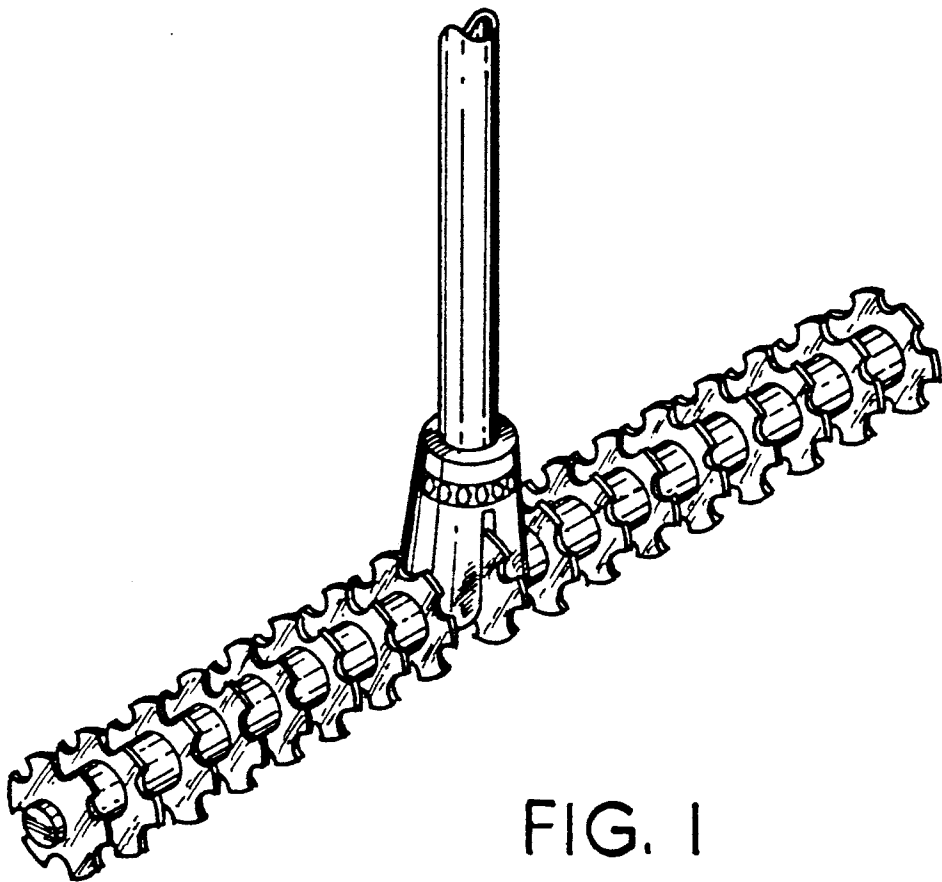


FIG. 1



FIG. 2

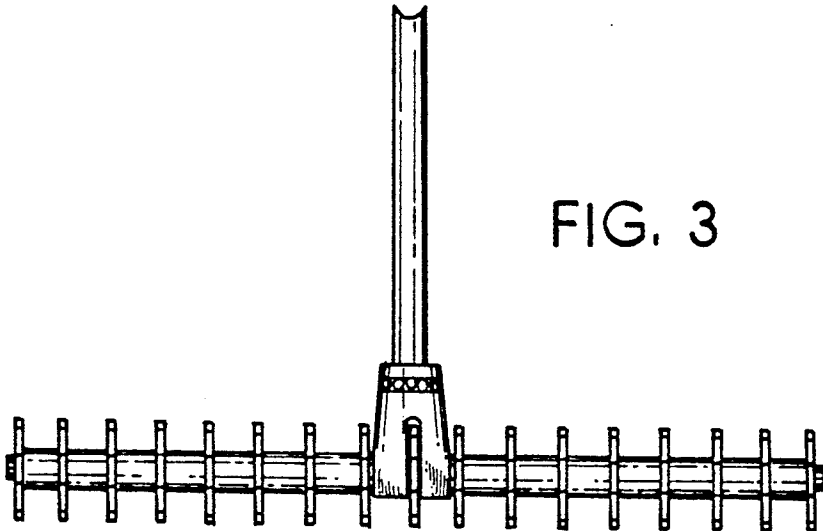


FIG. 3

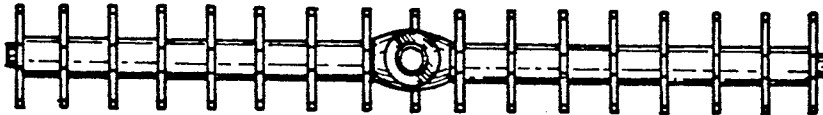


FIG. 4



FIG. 5