



US00D611645S

(12) **United States Design Patent**  
**Copeland**

(10) **Patent No.:** **US D611,645 S**

(45) **Date of Patent:** **\*\* \*Mar. 9, 2010**

(54) **LIGHT**

(75) Inventor: **Steve A. Copeland**, Barrie (CA)

(73) Assignee: **American Tack & Hardware Co., Inc.**,  
Saddle River, NJ (US)

(\* ) Notice: This patent is subject to a terminal disclaimer.

(\*\*) Term: **14 Years**

(21) Appl. No.: **29/323,744**

(22) Filed: **Aug. 29, 2008**

(51) **LOC (9) Cl.** ..... **26-03**

(52) **U.S. Cl.** ..... **D26/83; D26/76**

(58) **Field of Classification Search** ..... D26/72,  
D26/76, 83, 89, 120, 121; 362/147, 404,  
362/453-456, 451, 488, 490, 319, 325, 354,  
362/520-522

See application file for complete search history.

(56) **References Cited**

**U.S. PATENT DOCUMENTS**

- D134,830 S \* 1/1943 Cadwallader ..... D26/120
- D140,107 S \* 1/1945 Lippincott ..... D26/76
- D141,068 S \* 5/1945 Maurette ..... D26/76
- 2,673,914 A \* 3/1954 Sundt ..... D26/76
- D189,256 S \* 11/1960 Rothman ..... D26/76

- D221,986 S \* 9/1971 Taylor ..... D26/83
- D443,096 S \* 5/2001 Echito ..... D26/76
- 6,247,828 B1 \* 6/2001 Herst ..... 362/354
- D498,018 S \* 11/2004 Sieczkowski ..... D26/76
- D572,400 S \* 7/2008 Benensohn ..... D26/76

\* cited by examiner

*Primary Examiner*—Clare E Heflin

(74) *Attorney, Agent, or Firm*—Hedman & Costigan, PC;  
Kathleen A. Costigan

(57) **CLAIM**

The ornamental design for a light, as shown and described.

**DESCRIPTION**

FIG. 1 is a front and left side perspective view of a light showing my new design;

FIG. 2 is a front elevational view thereof;

FIG. 3 is a back elevational view thereof;

FIG. 4 is a right side elevational view thereof;

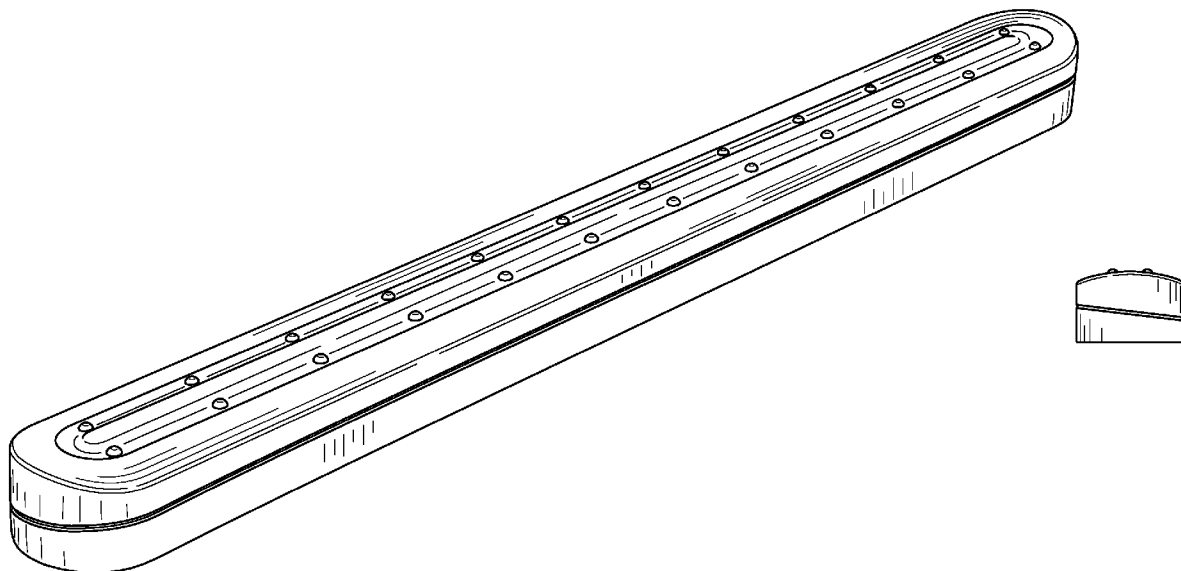
FIG. 5 is a left side elevational view thereof;

FIG. 6 is a top plan view thereof; and,

FIG. 7 is a bottom plan view thereof.

The broken lines in FIG. 7 depict environment only and form no part of the claimed design.

**1 Claim, 3 Drawing Sheets**



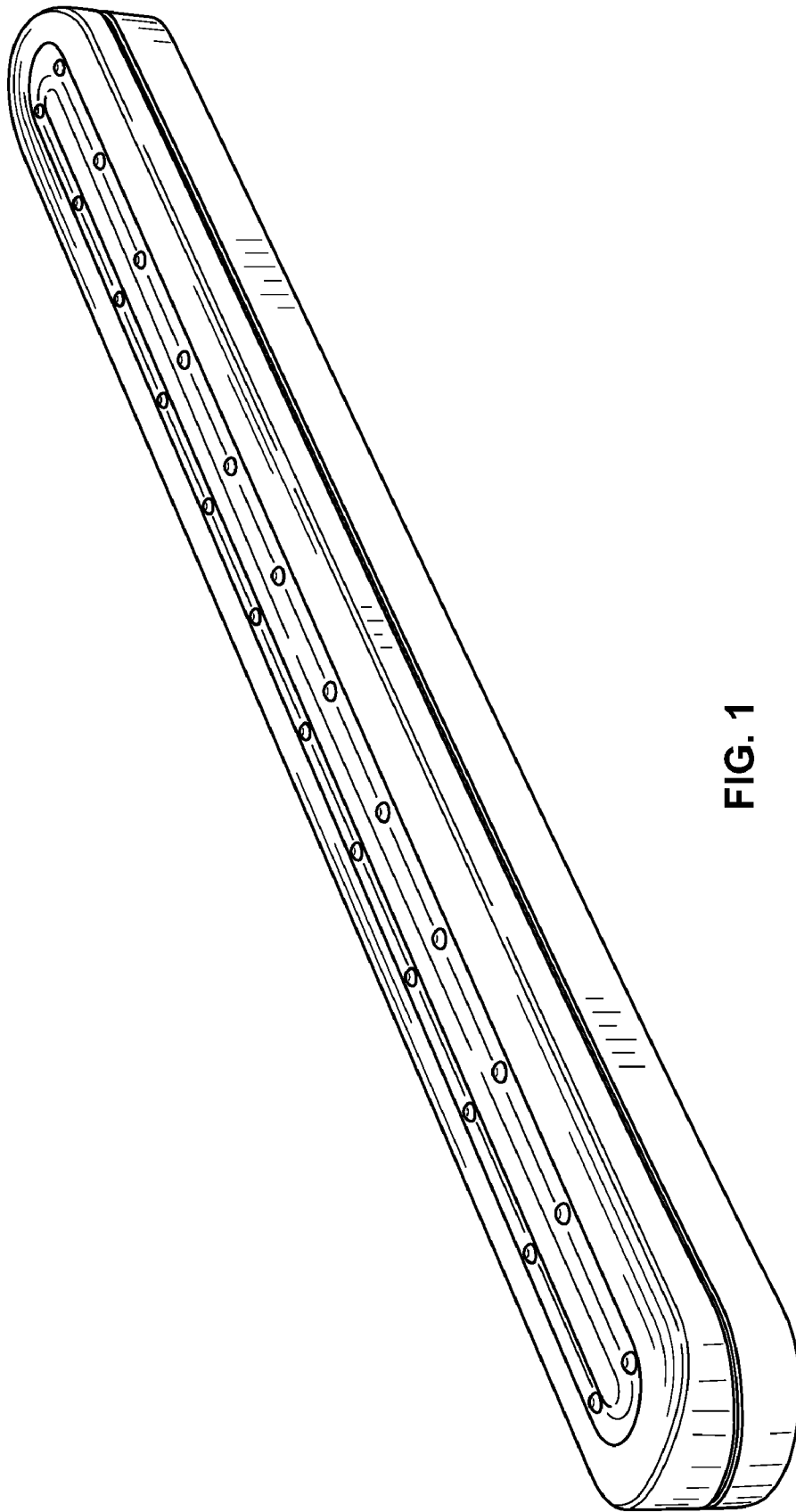


FIG. 1

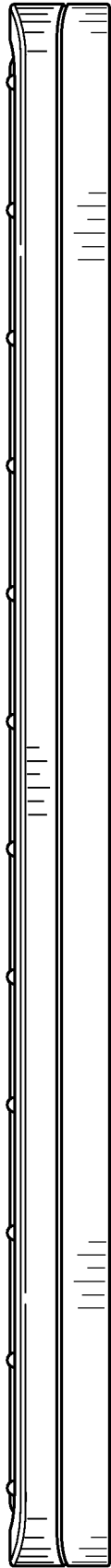


FIG. 2

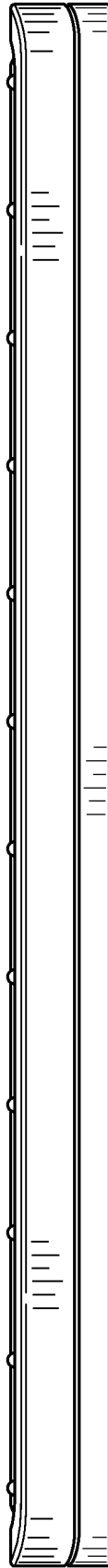


FIG. 3

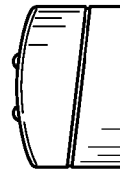


FIG. 4

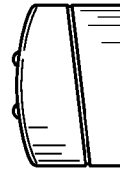


FIG. 5

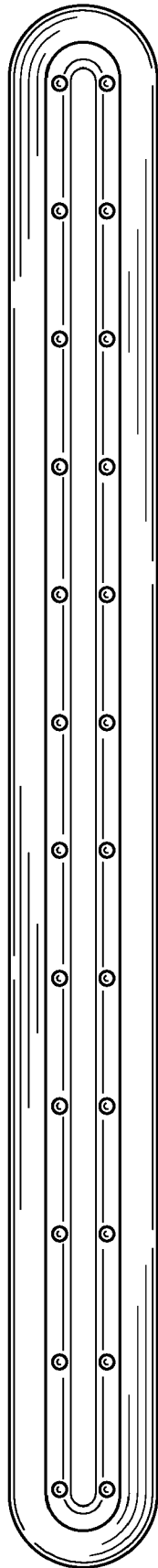


FIG. 6

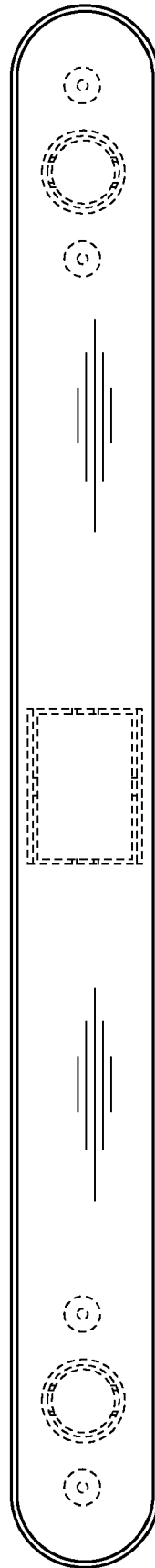


FIG. 7