



US00D747925S

(12) **United States Design Patent**
Engler et al.

(10) **Patent No.:** **US D747,925 S**

(45) **Date of Patent:** **** Jan. 26, 2016**

- (54) **STEPPED TUMBLER**
- (71) Applicant: **The Boelter Companies, Inc.**,
Waukesha, WI (US)
- (72) Inventors: **Jeff Engler**, Glendale, WI (US); **Jay Wilcox**, Glendale, WI (US)
- (73) Assignee: **BOELTER BRANDS, LLC**, Waukesha, WI (US)
- (**) Term: **14 Years**
- (21) Appl. No.: **29/510,146**
- (22) Filed: **Nov. 25, 2014**
- (51) **LOC (10) Cl.** **07-01**
- (52) **U.S. Cl.**
USPC **D7/512; D7/510; D7/532; D7/523**
- (58) **Field of Classification Search**
USPC D7/507, 509, 510, 511, 512, 513, 523,
D7/529, 532, 608, 391, 392.1, 300.2,
D7/619.1, 514, 396.2; 220/669, 737, 673,
220/675, 715; 229/402, 405; 206/520;
D9/745, 500, 502, 562; D3/202;
D11/143, 144, 153; 215/383, 382
CPC A47G 19/22; A47G 19/2216; A47G
2019/2277; A47G 19/2272; A45F 3/20;
A45F 2003/205; B65D 3/06
See application file for complete search history.

- 4,420,081 A * 12/1983 Dart B65D 1/265
206/519
- D272,794 S * 2/1984 Dart D7/532
- D343,990 S * 2/1994 Maraan, II D7/507
- D446,687 S * 8/2001 Furman D7/509
- 6,382,449 B1 * 5/2002 Kazmierski B65D 3/14
220/4.03
- 6,497,338 B1 * 12/2002 Stolzman B65D 1/16
220/605
- D475,243 S * 6/2003 Trazzi D7/523
- D544,303 S * 6/2007 Strepkoff D7/512
- D565,902 S * 4/2008 Bodum D7/500
- D570,159 S * 6/2008 McGill D7/509
- D611,384 S * 3/2010 Biegel D11/152
- D640,094 S * 6/2011 Carlson D7/510
- 7,988,011 B1 * 8/2011 Guevara B65F 1/02
220/484

(Continued)

OTHER PUBLICATIONS

Collapsible Coffee Mug Aug. 22, 2012 <http://earthtechling.com/2012/08/a-collapsible-coffee-mug-youll-have-a-crush-on/>*

Primary Examiner — Marianne Pandozzi
Assistant Examiner — Jae Liang
(74) *Attorney, Agent, or Firm* — Quarles & Brady LLP

CLAIM

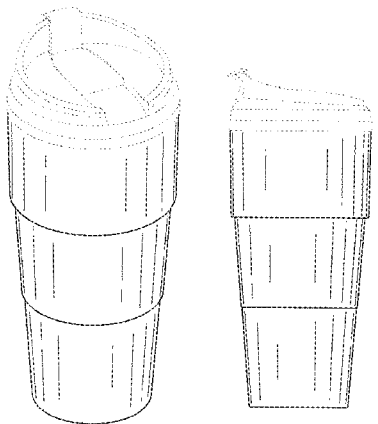
(57) The ornamental design for a stepped tumbler, as shown and described.

DESCRIPTION

FIG. 1 is a top, left side perspective view of a tumbler embodying our new design;
FIG. 2 is a front elevational view thereof;
FIG. 3 is a side elevational view thereof.
FIG. 4 is a rear elevational view thereof.
FIG. 5 is a top plan view thereof; and,
FIG. 6 is a bottom plan view thereof.
The broken line shown in the figure drawings are included for the purpose of illustration and form no part of the claimed design.
In a preferred embodiment, the nature of this product is a drinking container.

1 Claim, 3 Drawing Sheets

- (56) **References Cited**
U.S. PATENT DOCUMENTS
- 211,568 A * 1/1879 Hailer A45F 3/20
206/218
- 1,020,347 A * 3/1912 Follett B65D 21/086
220/8
- 1,128,211 A * 2/1915 Wohlwend A45F 3/20
132/148
- 3,285,459 A * 11/1966 Gahm A61J 7/0046
116/308
- 3,291,361 A * 12/1966 Commeyras B29C 57/12
220/659
- D210,767 S * 4/1968 Anglads D7/532
- D220,204 S * 3/1971 Gahm D7/512



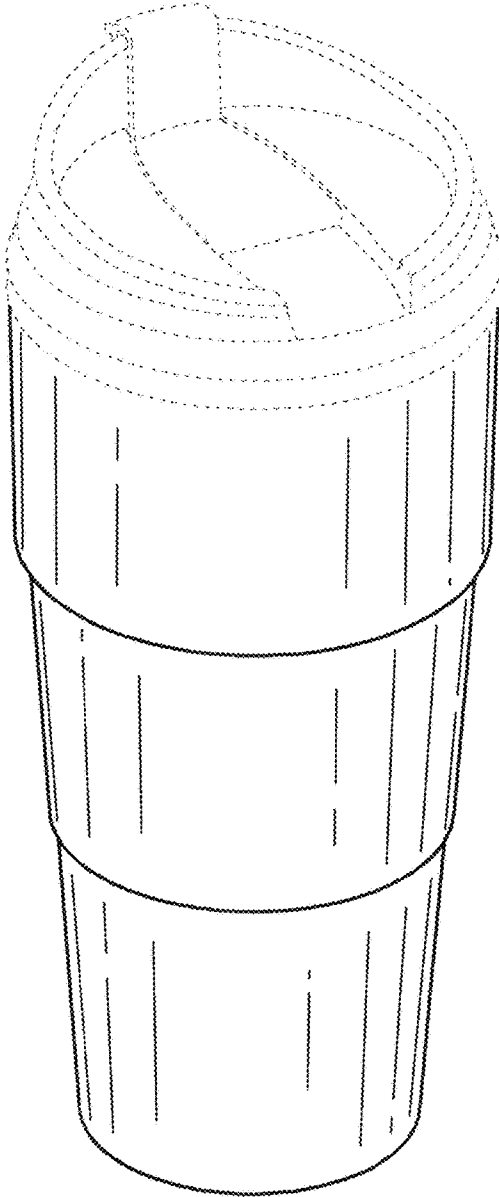


FIG. 1

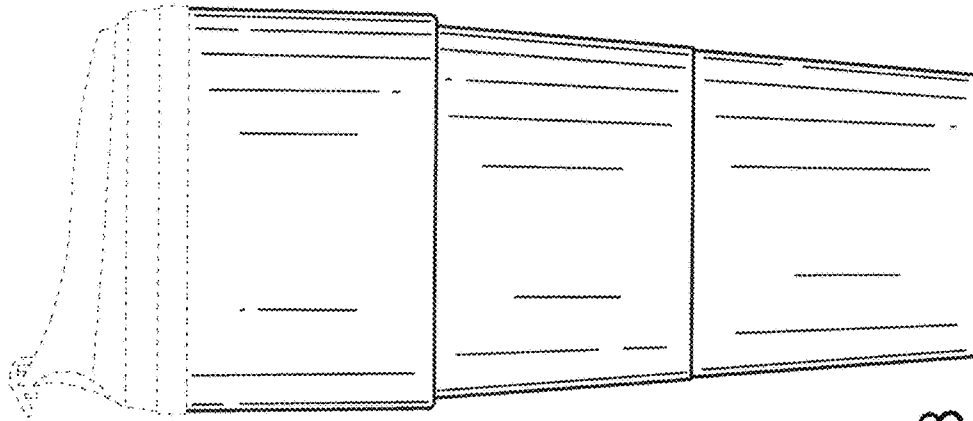


FIG. 3

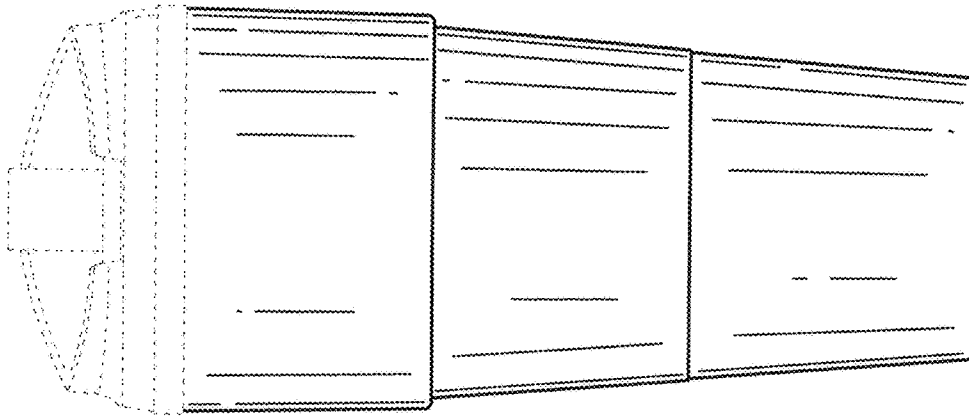


FIG. 2

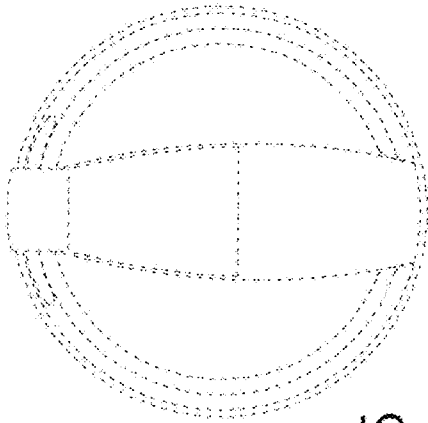


FIG. 5

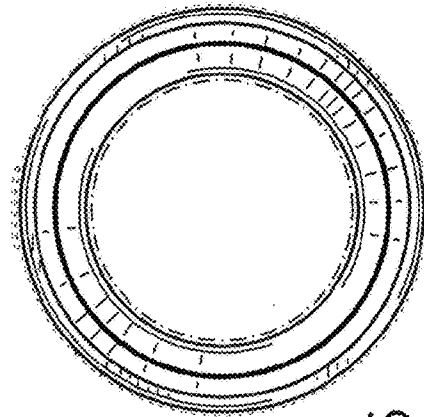


FIG. 6

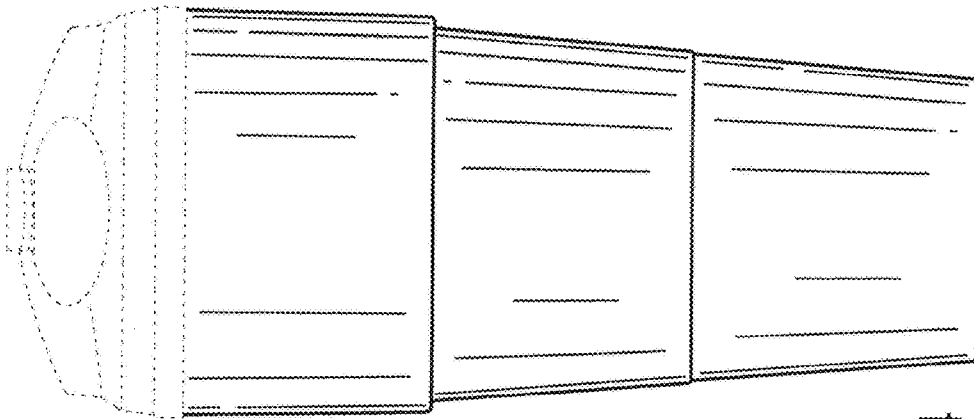


FIG. 4