



(51) International Patent Classification:

H02K 5/14 (2006.01) *H01R 39/41* (2006.01)
H01R 39/38 (2006.01) *H01R 39/415* (2006.01)
H01R 39/40 (2006.01)

(21) International Application Number:

PCT/US2013/051242

(22) International Filing Date:

19 July 2013 (19.07.2013)

(25) Filing Language:

English

(26) Publication Language:

English

(30) Priority Data:

13/554,775 20 July 2012 (20.07.2012) US

(71) Applicant: **ROBERT BOSCH GMBH** [DE/DE]; Postfach 30 02 20, D-70442 Stuttgart (DE).

(72) Inventors; and

(71) Applicants : **GAYOSSO, Hector** [MX/MX]; Azucenas #16, Col. Izcalli Cuauhtemoc I, Metepec, 52176 (MX). **CEBALLOS, Jose, Luis Maya** [MX/MX]; Otumba #308, Colonia Sor Juana Inés De La Cruz, Toluca De Lerdo, 50040 (MX). **FRAZIER, David** [US/US]; 142 Foxboro, Rochester Hills, MI 48309 (US). **PAOLICCHI, Joseph** [US/US]; 41588 Steinbeck Gln, Novi, MI 48377 (US). **VILCHIS, Jose** [MX/US]; 15000 N. Haggerty Road, Plymouth, MI 48170 (US).

(74) Agent: **MAGINOT, Paul, J.**; Maginot, Moore & Beck LLP, One Indiana Square, Suite 2200, Indianapolis, IN 46204 (US).

(81) Designated States (unless otherwise indicated, for every kind of national protection available): AE, AG, AL, AM, AO, AT, AU, AZ, BA, BB, BG, BH, BN, BR, BW, BY, BZ, CA, CH, CL, CN, CO, CR, CU, CZ, DE, DK, DM, DO, DZ, EC, EE, EG, ES, FI, GB, GD, GE, GH, GM, GT, HN, HR, HU, ID, IL, IN, IS, JP, KE, KG, KN, KP, KR, KZ, LA, LC, LK, LR, LS, LT, LU, LY, MA, MD, ME, MG, MK, MN, MW, MX, MY, MZ, NA, NG, NI, NO, NZ, OM, PA, PE, PG, PH, PL, PT, QA, RO, RS, RU, RW, SC, SD, SE, SG, SK, SL, SM, ST, SV, SY, TH, TJ, TM, TN, TR, TT, TZ, UA, UG, US, UZ, VC, VN, ZA, ZM, ZW.

(84) Designated States (unless otherwise indicated, for every kind of regional protection available): ARIPO (BW, GH, GM, KE, LR, LS, MW, MZ, NA, RW, SD, SL, SZ, TZ, UG, ZM, ZW), Eurasian (AM, AZ, BY, KG, KZ, RU, TJ, TM), European (AL, AT, BE, BG, CH, CY, CZ, DE, DK, EE, ES, FI, FR, GB, GR, HR, HU, IE, IS, IT, LT, LU, LV, MC, MK, MT, NL, NO, PL, PT, RO, RS, SE, SI, SK, SM, TR), OAPI (BF, BJ, CF, CG, CI, CM, GA, GN, GQ, GW, KM, ML, MR, NE, SN, TD, TG).

Published:

— with international search report (Art. 21(3))

[Continued on next page]

(54) Title: PLASTIC BRUSH GUIDE

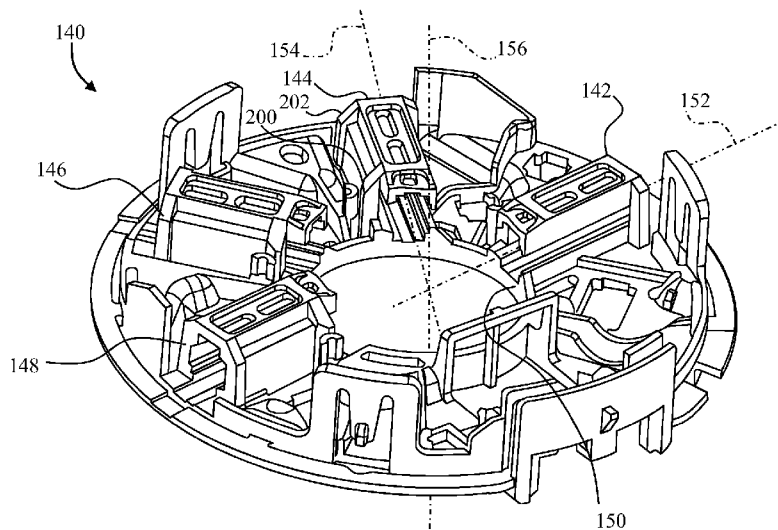


FIG. 3

(57) Abstract: The present invention in one embodiment is an engine cooling fan module including a motor having a horizontally extending motor shaft, at least one plastic brush guide defining a guide axis aligned with the motor shaft, the at least one plastic brush guide including a first side wall portion extending along the guide axis, a second side wall portion generally opposite the first side wall portion, and a top portion extending between the first side wall portion and the second side wall portion, the second side wall portion defining a radial slot opened at an inner portion of the plastic brush guide, a brush slidingly positioned within the plastic brush guide, and a shunt electrically coupled to the brush and extending through the radial slot.





— *before the expiration of the time limit for amending the claims and to be republished in the event of receipt of amendments (Rule 48.2(h))*

(88) Date of publication of the international search report:
27 November 2014

INTERNATIONAL SEARCH REPORT

International application No PCT/US2013/051242

A. CLASSIFICATION OF SUBJECT MATTER
 INV. H02K5/14 H01R39/38 H01R39/40 H01R39/41 H01R39/415
 ADD.

According to International Patent Classification (IPC) or to both national classification and IPC

B. FIELDS SEARCHED

Minimum documentation searched (classification system followed by classification symbols)
 H01R H02K

Documentation searched other than minimum documentation to the extent that such documents are included in the fields searched

Electronic data base consulted during the international search (name of data base and, where practicable, search terms used)
 EPO-Internal

C. DOCUMENTS CONSIDERED TO BE RELEVANT

Category*	Citation of document, with indication, where appropriate, of the relevant passages	Relevant to claim No.
X	EP 2 429 066 A2 (LG INNOTEK CO LTD [KR]) 14 March 2012 (2012-03-14)	1, 11
Y	paragraphs [0078] - [0080]; figures 1-6	2-10, 12-20

X	WO 2011/012572 A2 (NUOVA SME S P A [IT]; BASSO MAURIZIO [IT]; BERTUZZO OSCAR [IT]; ORTOMA) 3 February 2011 (2011-02-03)	1, 10
Y	page 1, lines 6-8; figures 2-8 page 6, lines 6-12 page 8, lines 26,27	2-10, 12-20

Y	US 2008/084124 A1 (GOLAB WOJCIECH [US] ET AL) 10 April 2008 (2008-04-10)	2-10, 12-20
	paragraph [0031]; figures 1,6,7	

	-/--	

Further documents are listed in the continuation of Box C. See patent family annex.

* Special categories of cited documents :

<p>"A" document defining the general state of the art which is not considered to be of particular relevance</p> <p>"E" earlier application or patent but published on or after the international filing date</p> <p>"L" document which may throw doubts on priority claim(s) or which is cited to establish the publication date of another citation or other special reason (as specified)</p> <p>"O" document referring to an oral disclosure, use, exhibition or other means</p> <p>"P" document published prior to the international filing date but later than the priority date claimed</p>	<p>"T" later document published after the international filing date or priority date and not in conflict with the application but cited to understand the principle or theory underlying the invention</p> <p>"X" document of particular relevance; the claimed invention cannot be considered novel or cannot be considered to involve an inventive step when the document is taken alone</p> <p>"Y" document of particular relevance; the claimed invention cannot be considered to involve an inventive step when the document is combined with one or more other such documents, such combination being obvious to a person skilled in the art</p> <p>"&" document member of the same patent family</p>
---	---

Date of the actual completion of the international search 25 September 2014	Date of mailing of the international search report 06/10/2014
--	--

Name and mailing address of the ISA/ European Patent Office, P.B. 5818 Patentlaan 2 NL - 2280 HV Rijswijk Tel. (+31-70) 340-2040, Fax: (+31-70) 340-3016	Authorized officer Kanelis, Konstantin
--	---

INTERNATIONAL SEARCH REPORT

International application No PCT/US2013/051242

C(Continuation). DOCUMENTS CONSIDERED TO BE RELEVANT

Category*	Citation of document, with indication, where appropriate, of the relevant passages	Relevant to claim No.
Y	US 5 424 600 A (ISHIKAWA HIROAKI [JP] ET AL) 13 June 1995 (1995-06-13) column 5, lines 22-34; figures 1-6 column 6, lines 46-50 -----	2-10, 12-20
Y	EP 0 935 318 A2 (BLACK & DECKER INC [US]) 11 August 1999 (1999-08-11) paragraph [0021]; figures 2-8 -----	2-10, 12-20
Y	US 7 675 216 B1 (EGER LEO A [US]) 9 March 2010 (2010-03-09) column 3, lines 35-55; figures 1-7 -----	2-10, 12-20

INTERNATIONAL SEARCH REPORT

Information on patent family members

International application No PCT/US2013/051242

Patent document cited in search report	Publication date	Patent family member(s)	Publication date	
EP 2429066	A2	14-03-2012	CN 102403824 A EP 2429066 A2 US 2012062067 A1	04-04-2012 14-03-2012 15-03-2012

WO 2011012572	A2	03-02-2011	DE 112010003114 T5 IT PD20090042 U1 WO 2011012572 A2	04-10-2012 31-01-2011 03-02-2011

US 2008084124	A1	10-04-2008	CN 101159360 A DE 102007047101 A1 KR 20080031814 A US 2008084124 A1	09-04-2008 15-05-2008 11-04-2008 10-04-2008

US 5424600	A	13-06-1995	JP 3232706 B2 JP H05199701 A US 5424600 A	26-11-2001 06-08-1993 13-06-1995

EP 0935318	A2	11-08-1999	DE 69919239 D1 DE 69919239 T2 EP 0935318 A2 JP H11275815 A US 6744170 B1	16-09-2004 28-07-2005 11-08-1999 08-10-1999 01-06-2004

US 7675216	B1	09-03-2010	NONE	
