



US00D545893S

(12) **United States Design Patent**  
**Ogawa et al.**

(10) **Patent No.:** **US D545,893 S**

(45) **Date of Patent:** **\*\* Jul. 3, 2007**

(54) **PRINTER**

(75) Inventors: **Mitsuko Ogawa**, Nagoya (JP);  
**Yukihiko Sato**, Nagoya (JP)

(73) Assignee: **Brother Industries, Ltd.**, Nagoya (JP)

(\*\*) Term: **14 Years**

(21) Appl. No.: **29/254,589**

(22) Filed: **Feb. 27, 2006**

(30) **Foreign Application Priority Data**

Sep. 13, 2005 (JP) ..... 2005-026509

(51) **LOC (8) Cl.** ..... **18-02**

(52) **U.S. Cl.** ..... **D18/50**

(58) **Field of Classification Search** ..... D18/14,  
D18/36-39, 46-49, 50, 53, 54, 54.1, 55, 4.4,  
D18/12; D14/420-425, 462-470; 399/107;  
400/613, 613.1-613.4, 690.1-690.4, 691-694  
See application file for complete search history.

(56) **References Cited**

**U.S. PATENT DOCUMENTS**

- D478,119 S \* 8/2003 Hwang et al. .... D18/55
- D480,752 S \* 10/2003 Tatara et al. .... D18/55
- D504,439 S \* 4/2005 Katayama ..... D14/467

- D523,071 S \* 6/2006 Katayama et al. .... D18/50
- D524,851 S \* 7/2006 Wong et al. .... D18/55
- D525,294 S \* 7/2006 Katayama et al. .... D18/54
- D529,080 S \* 9/2006 Katayama ..... D18/54
- D530,738 S \* 10/2006 Tay et al. .... D18/55
- D534,579 S \* 1/2007 Yamaguchi ..... D18/55

\* cited by examiner

*Primary Examiner*—Cathy Anne MacCormac

(74) *Attorney, Agent, or Firm*—Oliff & Berridge, PLC

(57) **CLAIM**

The ornamental design for printer, as shown and described.

**DESCRIPTION**

FIG. 1 is a perspective view of a printer;

FIG. 2 is a front view thereof;

FIG. 3 is a top view thereof;

FIG. 4 is a right-side view thereof;

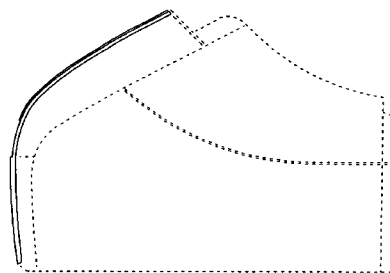
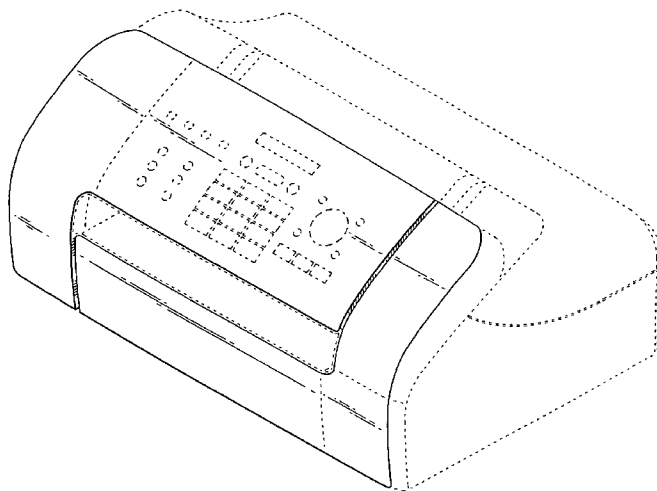
FIG. 5 is a left-side view thereof;

FIG. 6 is a rear view thereof; and,

FIG. 7 is a bottom view thereof.

The broken lines are for illustrative purposes only and form no part of the claimed design.

**1 Claim, 4 Drawing Sheets**



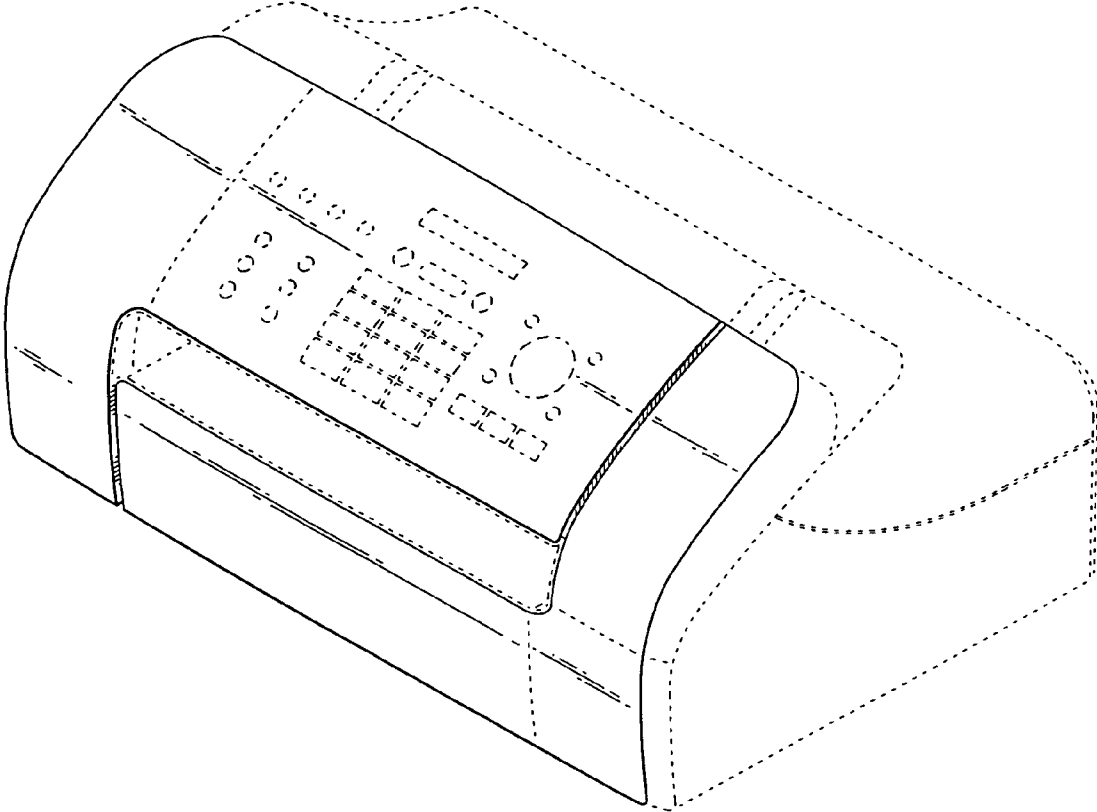


FIG. 1

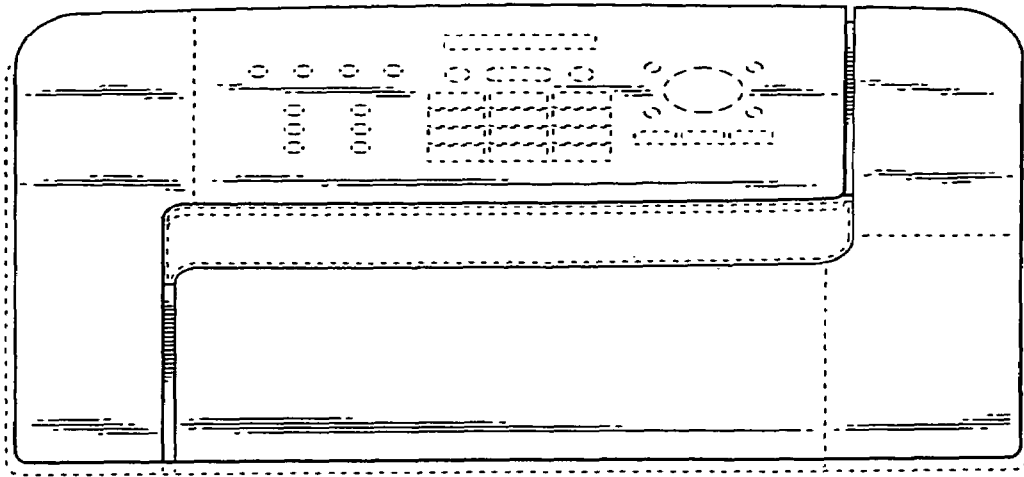


FIG. 2

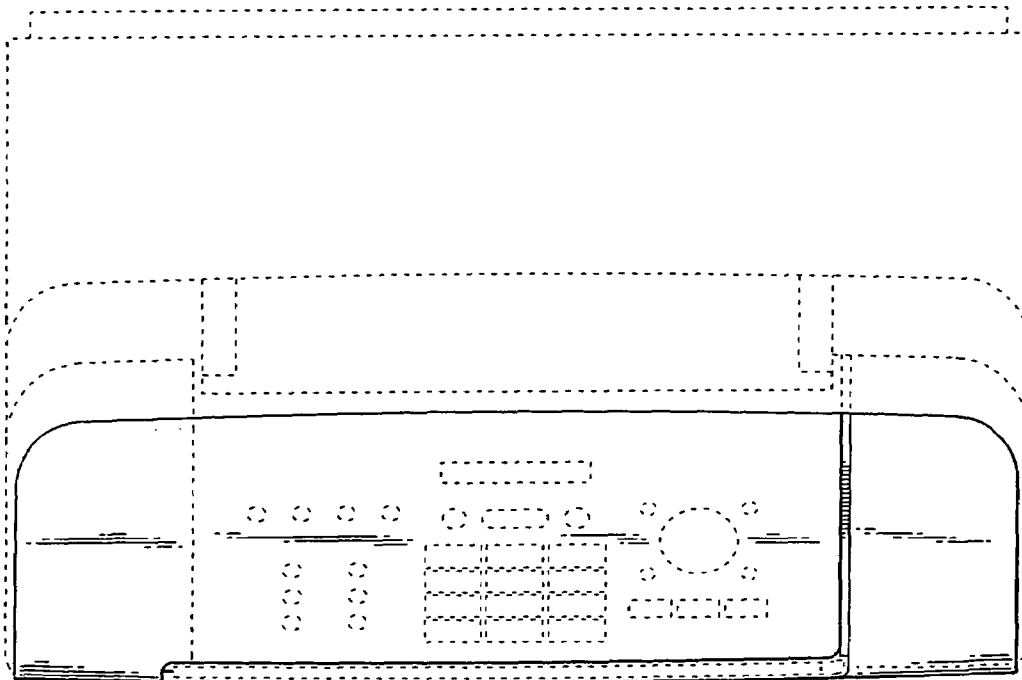


FIG. 3

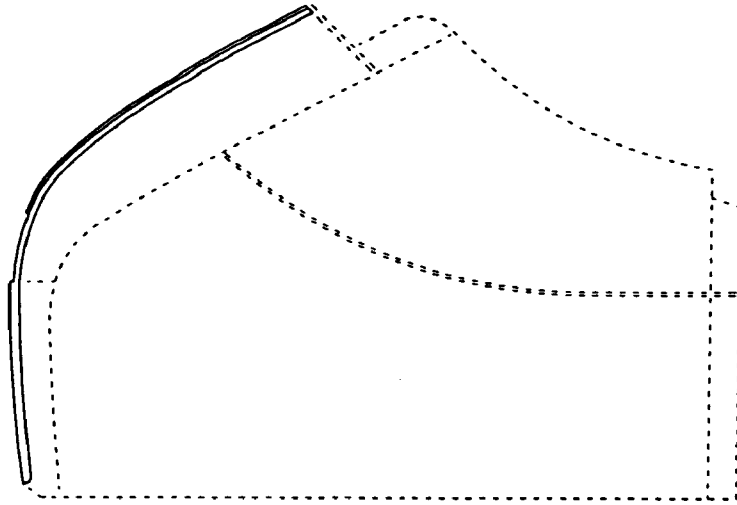


FIG. 4

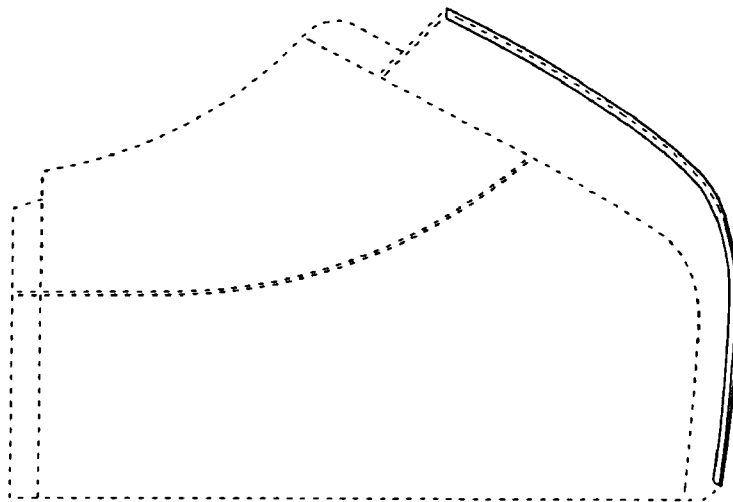


FIG. 5

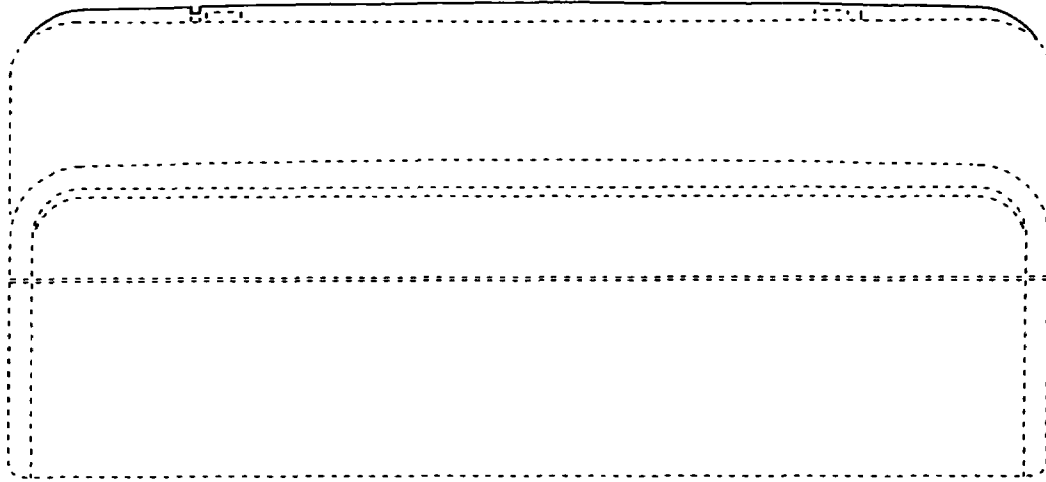


FIG. 6

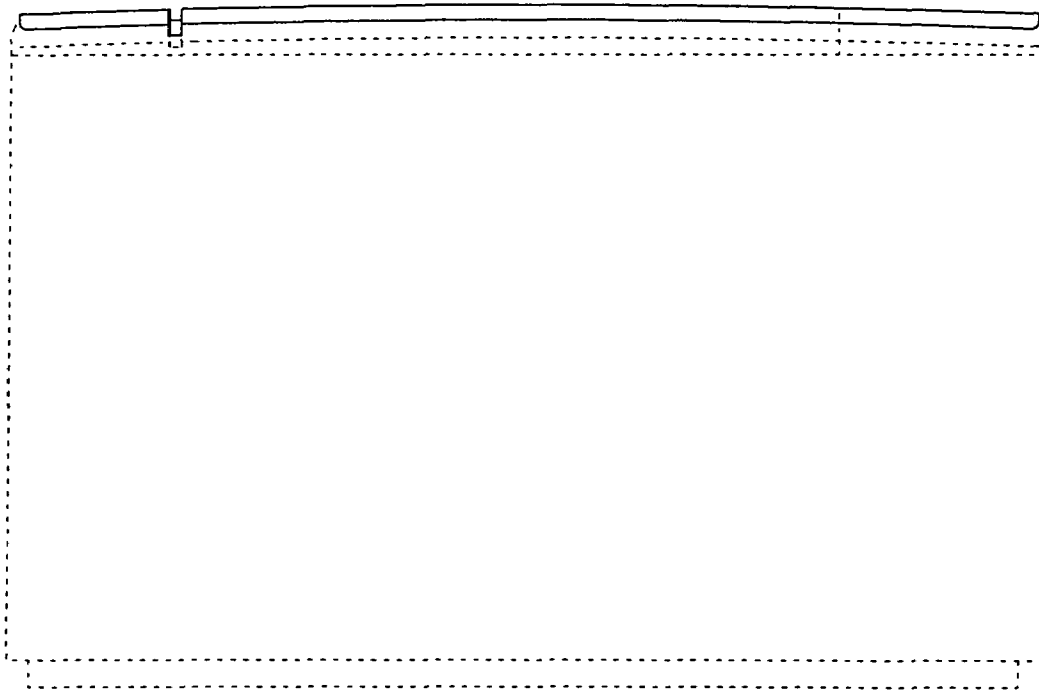


FIG. 7