

(19) World Intellectual Property
Organization
International Bureau



(43) International Publication Date
6 May 2004 (06.05.2004)

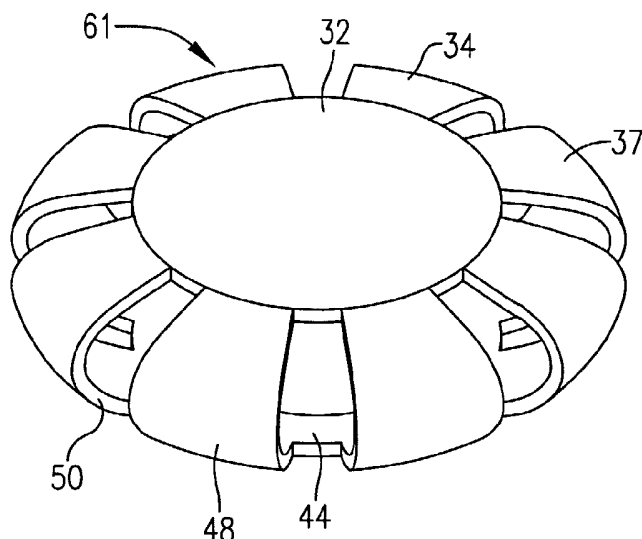
PCT

(10) International Publication Number
WO 2004/037127 A3

- (51) International Patent Classification⁷: A61F 2/16
- (21) International Application Number: PCT/US2003/034163
- (22) International Filing Date: 27 October 2003 (27.10.2003)
- (25) Filing Language: English
- (26) Publication Language: English
- (30) Priority Data:
10/280,918 25 October 2002 (25.10.2002) US
Not furnished 5 August 2003 (05.08.2003) US
- (71) Applicants and
(72) Inventors: **WOODS, Randall** [US/US]; 2925 E. Page Avenue, Gilbert, AZ 85234 (US). **SCHULZ, Robert** [US/US]; 1224 Coast Village Circle, Santa Barbara, CA 93108 (US).
- (74) Agent: **BORNMAN, Tracy, L.**; Hovey Williams LLP, Suite 400, 2405 Grand Boulevard, Kansas City, MO 64108 (US).
- (81) Designated States (*national*): AE, AG, AL, AM, AT, AU, AZ, BA, BB, BG, BR, BY, BZ, CA, CH, CN, CO, CR, CU, CZ, DE, DK, DM, DZ, EC, EE, EG, ES, FI, GB, GD, GE, GH, GM, HR, HU, ID, IL, IN, IS, JP, KE, KG, KP, KR, KZ, LC, LK, LR, LS, LT, LU, LV, MA, MD, MG, MK, MN, MW, MX, MZ, NI, NO, NZ, OM, PG, PH, PL, PT, RO, RU, SC, SD, SE, SG, SK, SL, SY, TJ, TM, TN, TR, TT, TZ, UA, UG, US, UZ, VC, VN, YU, ZA, ZM, ZW.
- (84) Designated States (*regional*): ARIPO patent (GH, GM, KE, LS, MW, MZ, SD, SL, SZ, TZ, UG, ZM, ZW), Eurasian patent (AM, AZ, BY, KG, KZ, MD, RU, TJ, TM), European patent (AT, BE, BG, CH, CY, CZ, DE, DK, EE, ES, FI, FR, GB, GR, HU, IE, IT, LU, MC, NL, PT, RO, SE, SI, SK, TR), OAPI patent (BF, BJ, CF, CG, CI, CM, GA, GN, GQ, GW, ML, MR, NE, SN, TD, TG).
- Published:
— with international search report
— before the expiration of the time limit for amending the claims and to be republished in the event of receipt of amendments
- (88) Date of publication of the international search report:
10 June 2004

[Continued on next page]

(54) Title: CAPSULAR INTRAOCULAR LENS IMPLANT HAVING A REFRACTIVE LIQUID THEREIN



(57) Abstract: An intraocular lens having a light-transmitting optic (32, 94a, 94b, 142, 216) comprised of a synthetic light-refractive material (40, 102) operably coupled with a flexible optic positioning member (34, 62, 74, 84, 100, 210) to refract light onto the retina in order to correct refractive errors in the eye (10). The refractive material has an index of refraction of from about 1.36 to 1.5 or higher. The optic positioning member (34, 62, 74, 84, 100, 210) is constructed of a flexible synthetic resin material such as polymethylmethacrylate and permits focusing upon objects located near to and far from the viewer. The optic (32, 94a, 94b, 142, 216) of the present invention possess greater refractive capability than optics conventionally used in IOL construction, and permits retinal receipt of the image being viewed in order to correct refractive errors.

WO 2004/037127 A3

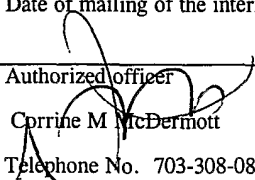


For two-letter codes and other abbreviations, refer to the "Guidance Notes on Codes and Abbreviations" appearing at the beginning of each regular issue of the PCT Gazette.

INTERNATIONAL SEARCH REPORT

International application No.

PCT/US03/34163

A. CLASSIFICATION OF SUBJECT MATTER				
IPC(7) : A61F 2/16				
US CL : 623/6.11, 6.13				
According to International Patent Classification (IPC) or to both national classification and IPC				
B. FIELDS SEARCHED				
Minimum documentation searched (classification system followed by classification symbols) U.S. : 623/6.11, 6.13				
Documentation searched other than minimum documentation to the extent that such documents are included in the fields searched				
Electronic data base consulted during the international search (name of data base and, where practicable, search terms used)				
C. DOCUMENTS CONSIDERED TO BE RELEVANT				
Category *	Citation of document, with indication, where appropriate, of the relevant passages	Relevant to claim No.		
A, e	US 6,645,246 B1 (Weinschenk, III et al.) 11 November 2003, Abstract, column 6 lines 66 and 67, column 7 lines 1-47 and column 8 lines 1-55.	1-59		
X	US 6,299,641 B1 (Woods) 09 October 2001 (09.10.2001), Abstract, figures 6-13, column 3, lines 56-67, column 4, lines 1-53 and column 5, lines 32-67	1-32		
X	US 6,217,612 B1 (Woods) 17 April 2001 (14.04.2001), Abstract, column 3, lines 29-67 and column 4, lines 41.	33-59		
<input type="checkbox"/> Further documents are listed in the continuation of Box C. <input type="checkbox"/> See patent family annex.				
* Special categories of cited documents: <table border="0" style="width: 100%;"> <tr> <td style="width: 50%;"> "A" document defining the general state of the art which is not considered to be of particular relevance "E" earlier application or patent published on or after the international filing date "L" document which may throw doubts on priority claim(s) or which is cited to establish the publication date of another citation or other special reason (as specified) "O" document referring to an oral disclosure, use, exhibition or other means "P" document published prior to the international filing date but later than the priority date claimed </td> <td style="width: 50%;"> "T" later document published after the international filing date or priority date and not in conflict with the application but cited to understand the principle or theory underlying the invention "X" document of particular relevance; the claimed invention cannot be considered novel or cannot be considered to involve an inventive step when the document is taken alone "Y" document of particular relevance; the claimed invention cannot be considered to involve an inventive step when the document is combined with one or more other such documents, such combination being obvious to a person skilled in the art "&" document member of the same patent family </td> </tr> </table>			"A" document defining the general state of the art which is not considered to be of particular relevance "E" earlier application or patent published on or after the international filing date "L" document which may throw doubts on priority claim(s) or which is cited to establish the publication date of another citation or other special reason (as specified) "O" document referring to an oral disclosure, use, exhibition or other means "P" document published prior to the international filing date but later than the priority date claimed	"T" later document published after the international filing date or priority date and not in conflict with the application but cited to understand the principle or theory underlying the invention "X" document of particular relevance; the claimed invention cannot be considered novel or cannot be considered to involve an inventive step when the document is taken alone "Y" document of particular relevance; the claimed invention cannot be considered to involve an inventive step when the document is combined with one or more other such documents, such combination being obvious to a person skilled in the art "&" document member of the same patent family
"A" document defining the general state of the art which is not considered to be of particular relevance "E" earlier application or patent published on or after the international filing date "L" document which may throw doubts on priority claim(s) or which is cited to establish the publication date of another citation or other special reason (as specified) "O" document referring to an oral disclosure, use, exhibition or other means "P" document published prior to the international filing date but later than the priority date claimed	"T" later document published after the international filing date or priority date and not in conflict with the application but cited to understand the principle or theory underlying the invention "X" document of particular relevance; the claimed invention cannot be considered novel or cannot be considered to involve an inventive step when the document is taken alone "Y" document of particular relevance; the claimed invention cannot be considered to involve an inventive step when the document is combined with one or more other such documents, such combination being obvious to a person skilled in the art "&" document member of the same patent family			
Date of the actual completion of the international search		Date of mailing of the international search report		
08 March 2004 (08.03.2004)		12 APR 2004		
Name and mailing address of the ISA/US Mail Stop PCT, Attn: ISA/US Commissioner for Patents P.O. Box 1450 Alexandria, Virginia 22313-1450 Facsimile No. (703)305-3230		Authorized officer  Corrine M. McDermott Telephone No. 703-308-0873		