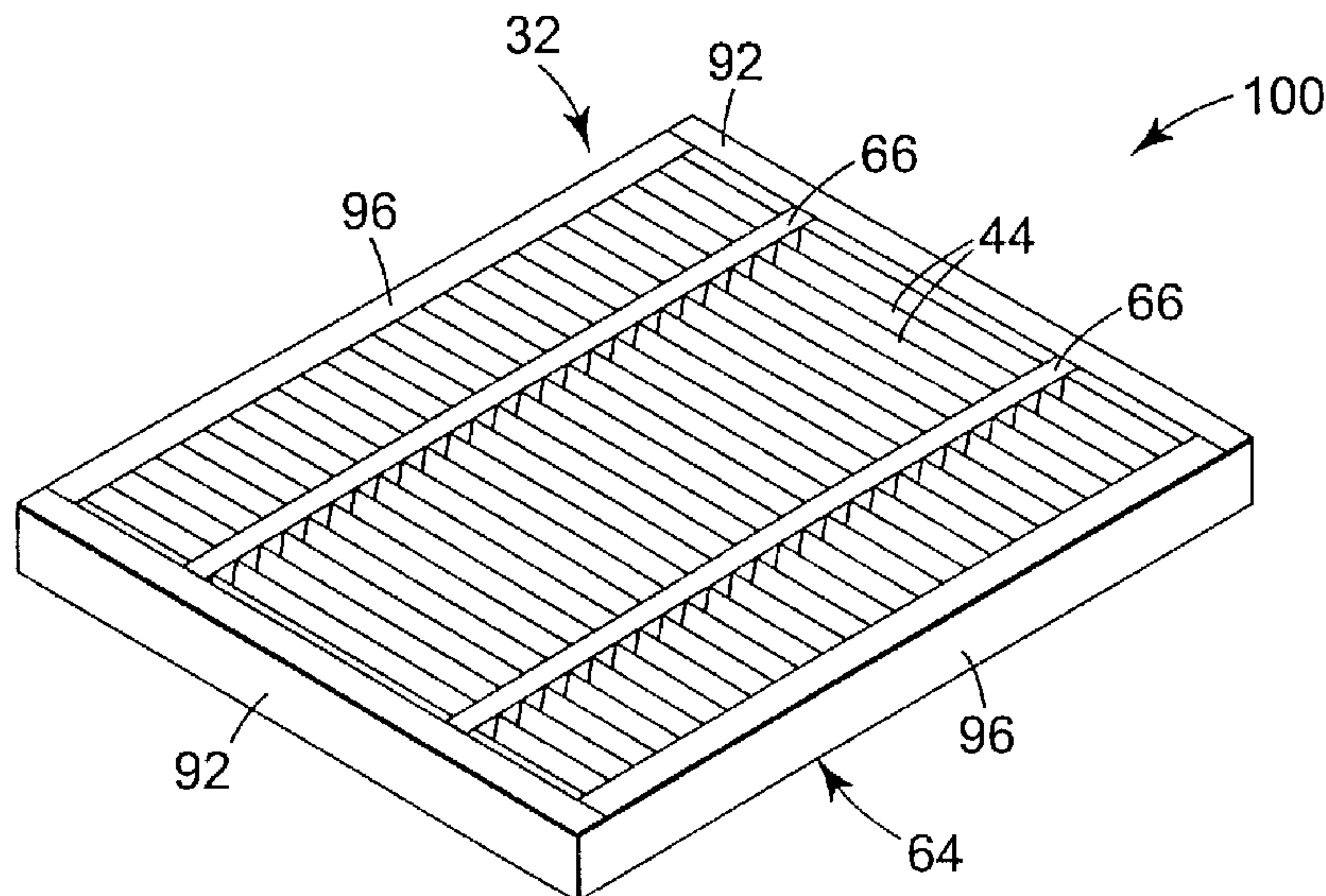




(86) Date de dépôt PCT/PCT Filing Date: 1999/11/08
 (87) Date publication PCT/PCT Publication Date: 2001/01/25
 (45) Date de délivrance/Issue Date: 2008/04/08
 (85) Entrée phase nationale/National Entry: 2001/12/19
 (86) N° demande PCT/PCT Application No.: US 1999/026357
 (87) N° publication PCT/PCT Publication No.: 2001/005486
 (30) Priorité/Priority: 1999/07/15 (US09/354,416)

(51) Cl.Int./Int.Cl. *B01D 46/52* (2006.01)
 (72) Inventeurs/Inventors:
 SUNDET, DOUGLAS C., US;
 PITZEN, JAMES F., US
 (73) Propriétaire/Owner:
 3M INNOVATIVE PROPERTIES COMPANY, US
 (74) Agent: SMART & BIGGAR

(54) Titre : **FILTRE PLISSE AUTONOME ET PROCEDE DE FABRICATION**
 (54) Title: **SELF-SUPPORTING PLEATED FILTER AND METHOD OF MAKING SAME**



(57) **Abrégé/Abstract:**

A self-supporting, pleated filter, and method of making the same. The method includes forming a plurality of pleats in a filter media that extend along a front face and a rear face. The pleats include a plurality of pleat tips and sloping side surfaces generally perpendicular to the direction of pleating. At least one planar reinforcing strip oriented in the direction of pleating is bonded to the pleat tips on the front face. At least one reinforcing member is positioned along the rear face of the filter media. The filter media is then cut to size. Frame members are applied for some applications. The reinforcing member may be a reinforcing strip oriented in the direction of pleating and bonded to the rear face of the filter media prior to the step of forming the plurality of pleats. A second planar reinforcing strip may optionally be bonded to the reinforcing strip pleat tips. The reinforcing member, the first reinforcing strip and the second reinforcing strip can be aligned to form a truss structure. Alternatively, reinforcing strips oriented perpendicular to the direction of pleating are bonded to the rear face of the filter media prior to the step of forming the pleats. In another embodiment, a reinforcing member is applied to the rear face of the filter media after the pleats have been formed. The reinforcing member is positioned along at least one of the sloping side surfaces of the pleats on the rear face in a direction perpendicular to the direction of pleating. In another embodiment, a scrim is positioned along the rear face of the filter media. The scrim can be bonded to the frame members, the filter media and/or a portion of the frame members extend over a perimeter of the scrim to secure it to the pleated filter.

(12) INTERNATIONAL APPLICATION PUBLISHED UNDER THE PATENT COOPERATION TREATY (PCT)

(19) World Intellectual Property Organization
International Bureau(43) International Publication Date
25 January 2001 (25.01.2001)

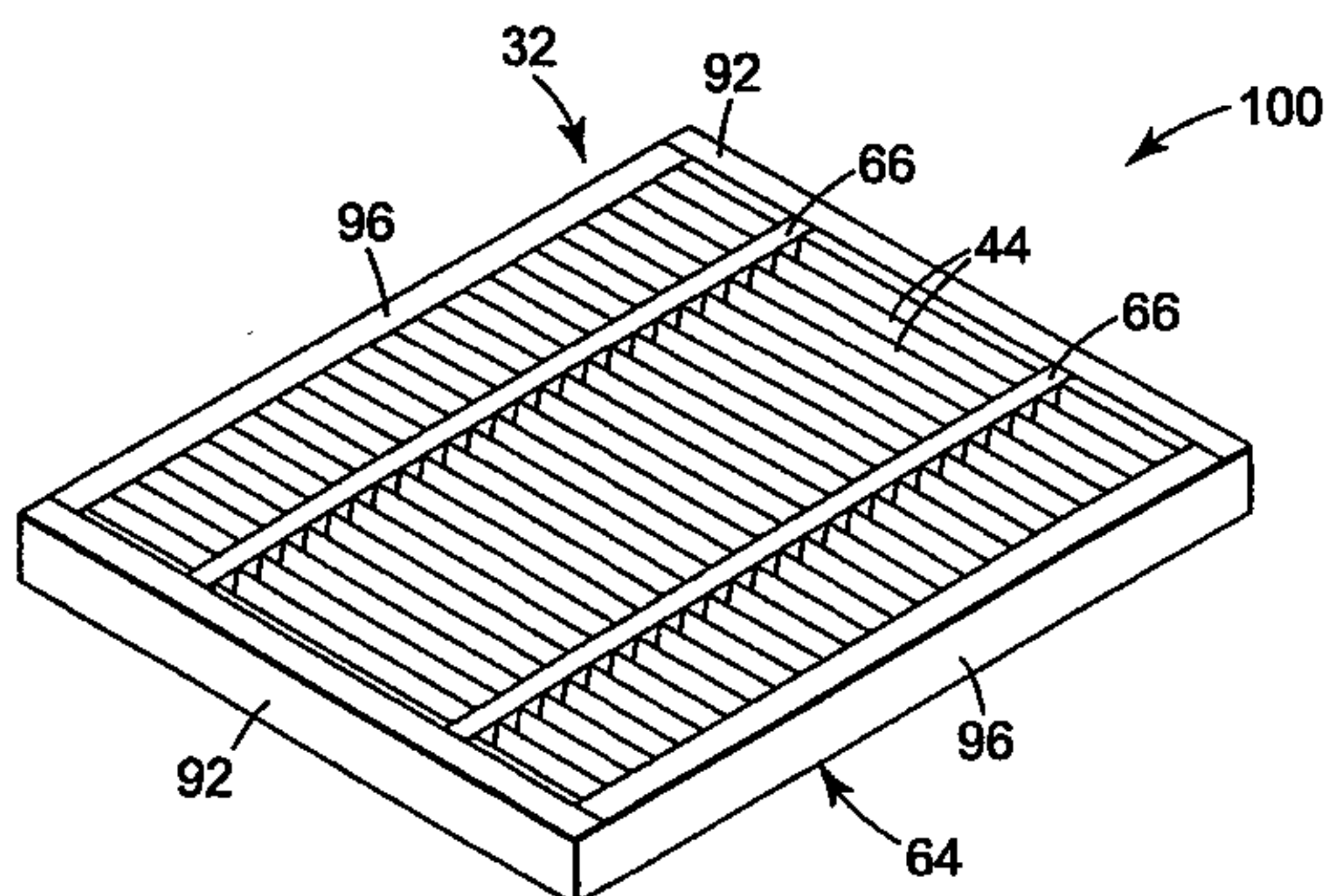
PCT

(10) International Publication Number
WO 01/05486 A1

- (51) International Patent Classification⁷: B01D 46/52
- (21) International Application Number: PCT/US99/26357
- (22) International Filing Date:
8 November 1999 (08.11.1999)
- (25) Filing Language: English
- (26) Publication Language: English
- (30) Priority Data:
09/354,416 15 July 1999 (15.07.1999) US
- (71) Applicant: 3M INNOVATIVE PROPERTIES COMPANY [US/US]; 3M Center, P.O. Box 33427, Saint Paul, MN 55133-3427 (US).
- (72) Inventors: SUNDET, Douglas, C.; P.O. Box 33427, Saint Paul, MN 55133-3427 (US). PITZEN, James, F.; P.O. Box 33427, Saint Paul, MN 55133-3427 (US).
- (74) Agents: PATCHETT, David, B. et al.; 3M Innovative Properties Company, Office of Intellectual Property Counsel, P.O. Box 33427, Saint Paul, MN 55133-3427 (US).
- (81) Designated States (*national*): AE, AL, AM, AT, AT (utility model), AU, AZ, BA, BB, BG, BR, BY, CA, CH, CN, CR, CU, CZ, CZ (utility model), DE, DE (utility model), DK, DK (utility model), DM, EE, EE (utility model), ES, FI, FI (utility model), GB, GD, GE, GH, GM, HR, HU, ID, IL, IN, IS, JP, KE, KG, KP, KR, KZ, LC, LK, LR, LS, LT, LU, LV, MA, MD, MG, MK, MN, MW, MX, NO, NZ, PL, PT, RO, RU, SD, SE, SG, SI, SK, SK (utility model), SL, TJ, TM, TR, TT, TZ, UA, UG, UZ, VN, YU, ZA, ZW.
- (84) Designated States (*regional*): ARIPO patent (GH, GM, KE, LS, MW, SD, SL, SZ, TZ, UG, ZW), Eurasian patent (AM, AZ, BY, KG, KZ, MD, RU, TJ, TM), European patent (AT, BE, CH, CY, DE, DK, ES, FI, FR, GB, GR, IE, IT, LU, MC, NL, PT, SE), OAPI patent (BF, BJ, CF, CG, CI, CM, GA, GN, GW, ML, MR, NE, SN, TD, TG).
- Published:
— With international search report.

[Continued on next page]

(54) Title: SELF-SUPPORTING PLEATED FILTER AND METHOD OF MAKING SAME



(57) Abstract: A self-supporting, pleated filter, and method of making the same. The method includes forming a plurality of pleats in a filter media that extend along a front face and a rear face. The pleats include a plurality of pleat tips and sloping side surfaces generally perpendicular to the direction of pleating. At least one planar reinforcing strip oriented in the direction of pleating is bonded to the pleat tips on the front face. At least one reinforcing member is positioned along the rear face of the filter media. The filter media is then cut to size. Frame members are applied for some applications. The reinforcing member may be a reinforcing strip oriented in the direction of pleating and bonded to the rear face of the filter media prior to the step of forming the plurality of pleats. A second planar reinforcing strip may optionally be bonded to the reinforcing strip pleat tips. The reinforcing member, the first reinforcing strip and the second reinforcing strip can be aligned to form a truss structure. Alternatively, reinforcing strips oriented perpendicular to the direction of pleating are bonded to the rear face of the filter media prior to the step of forming the pleats. In another embodiment, a reinforcing member is applied to the rear face of the filter media after the pleats have been formed. The reinforcing member is positioned along at least one of the sloping side surfaces of the pleats on the rear face in a direction perpendicular to the direction of pleating. In another embodiment, a scrim is positioned along the rear face of the filter media. The scrim can be bonded to the frame members, the filter media and/or a portion of the frame members extend over a perimeter of the scrim to secure it to the pleated filter.

WO 01/05486 A1

WO 01/05486 A1



For two-letter codes and other abbreviations, refer to the "Guidance Notes on Codes and Abbreviations" appearing at the beginning of each regular issue of the PCT Gazette.

SELF-SUPPORTING PLEATED FILTER
AND METHOD OF MAKING SAME

Technical Field

5 The present invention is directed to a method of making a self-supporting, pleated filter with reinforcing structures that resists pleat deformation, and in particular, to a fully automated method of making a pleated filter for air filtration.

Background of the Invention

10 The surface area of filter media is a major factor in determining flow resistance (i.e., pressure drop) and loading capacity of a pleated filter. The surface area of a pleated filter media is determined by the size of the pleated filter, the depth of the pleats, and the pleat density. Since the external dimensions of pleated filters are often restricted by the particular application, the number of pleats per inch (pleat density) can be increased to improve filtration performance.

15 The ability of air filter media to withstand operating pressures is typically dependent upon the pleat count, the pleat depth and the stiffness of the filter media. The filter media can become unsteady when air pressure is applied to one side. In the event the pleats deform or collapse, a portion of the surface area can be reduced and the pressure drop across the filter element will increase, further increasing the force applied to the filter media.

20 U.S. Patent No. 5,618,324 (Sommer, et al.) discloses a self-supporting, accordion folded filter element that includes a planar reinforcing strips bonded to the pleat tips by an adhesive.

25 A filter element available from Columbus Industries available under the product designation Microshield utilizes a glue bead to provide longitudinal stabilization. The glue bead is applied before the folding of the filter media and connects the folds with one another at the point of application. However, the glue beads require a large quantity of melt bonding agent, resulting in increased cost. Additionally, the glue beads require the pleats to be closely spaced, limiting application of this technique to pleat counts generally
30 greater than about six pleats per inch.

U.S. Patent No. 4,547,950 (Thompson) discloses a method of spacing the folds of a pleated filter media using a tapered assembly comb having uniformly spaced teeth. Subsequently, a rigid divider is inserted into the separated and folded media to produce a uniformly spaced filter media. Thompson does not disclose automated filter element manufacturing.

Therefore, there is a need for an automated method of manufacturing a pleated filter that has good flow characteristics and exhibits sufficient stability so that the pleats do not collapse or deform when subjected to operating pressure.

Summary of the Invention

The present invention is directed to a self-supporting, pleated filter for air filtration, and method of making the same. The method of the present invention provides for assembly of the pleated filter by an automated process at a high rate of manufacturing. The pleated filter of the present invention can be use with or without a reinforcing frame structure. The present method and apparatus may utilize conventional filter media, electret media, or a variety of other media suitable for air filtration, such for furnace applications.

In one embodiment, the method of making the self-supporting pleated filter includes forming a plurality of pleats in a filter media that extend along a front face and a rear face. The pleats include a plurality of pleat tips and sloping side surfaces generally perpendicular to the direction of pleating. At least one reinforcing strip oriented in the direction of pleating is bonded to the pleat tips on the front face to form a pleated filter. At least one reinforcing member is positioned along the rear face of the filter media. The filter media is then cut to size. Frame members are optionally applied for some filtration applications. Alternatively, the self-supporting pleated filter can be used without a frame or inserted into a permanent frame that permits the media to be easily changed.

In one embodiment, the step of positioning at least one reinforcing member includes locating one or more elongated reinforcing members oriented in the direction of pleating to the rear face of the filter media prior to the step of forming the plurality of pleats. A plurality of pleats are then formed in the reinforcing member during the step of forming the pleats in the filter media. The pleats formed in the reinforcing member define

reinforcing member pleat tips. A second reinforcing strip may optionally be bonded to the reinforcing member pleat tips. In one embodiment, the reinforcing member, the first reinforcing strip and the second reinforcing strip are aligned to form a truss structure. The reinforcing member can optionally be bonded to the filter media.

5 In another embodiment, the plurality of reinforcing members oriented perpendicular to the direction of pleating are located on the rear face of the filter media prior to the step of forming the pleats. A plurality of pleats are formed in the reinforcing member during the step of forming the pleats in the media. A second reinforcing strip oriented in the direction of pleating may be bonded to the pleat tips of the rear face over the
10 reinforcing member.

 In another embodiment, the reinforcing member is inserted into the pleats on the rear face of the filter media after the pleats have been formed. At least one reinforcing member is positioned along at least one of the sloping side surfaces of the pleats on the rear face in a direction perpendicular to the direction of pleating. A second reinforcing strip
15 oriented in the direction of pleating may optionally be bonded to the pleat tips on the rear face over the reinforcing member.

 In another embodiment, a scrim is positioned along the rear face of the filter media. The scrim can be bonded to the pleat tips along the rear face. In one embodiment, a portion of the frame members extend over a perimeter of the scrim to secure it to the
20 pleated filter. A scrim refers to a porous mesh, netting or screen. The scrim can be constructed from various metals, plastics or paper-based products.

 In another embodiment, a scrim can be substituted for the reinforcing strips located along the front face. The scrim is bonded to the pleat tips on the front face to form a pleated filter. Any of the reinforcing members disclosed herein can be used along the rear
25 face of the pleated filter.

 The present method may also include the step of heat setting one or more of the filter media and the reinforcing members after forming the pleats. The step of applying the frame members typically includes positioning a portion of the frame members onto a portion of the front face and the rear face of the filter media. An adhesive is typically
30 applied between the perimeter of the filter media and the frame members. The present

method may be performed using a fully automated system. The reinforcing members and reinforcing strips may be constructed from various paperboard products, polymeric materials such as films, or metals configured as elongated strips, scrims, strands or filaments.

5 The present invention is also directed to a self-supporting pleated filter. The filter media has a plurality of pleats defining a plurality of pleat tips and sloping side surfaces extending along a front face and a rear face. The pleat tips extend perpendicular to a direction of pleating. A planar reinforcing strip oriented in the direction of pleating is bonded to the pleat tips along the front face of the pleated filter. A reinforcing structure is
10 provided along the rear face of the pleated filter. A frame optionally extends around the perimeter of the filter media. In another embodiment, the pleated filter may be inserted into, and subsequently removed from, a reusable frame.

 In one embodiment, the reinforcing structure includes one or more reinforcing members extending in the direction of pleating generally along the contour of
15 the pleat tips and sloping side surfaces of the rear face. In one embodiment, the reinforcing members are bonded to the filter media. A generally planar second reinforcing strip oriented in the direction of pleating is bonded to reinforcing member pleat tips on the pleated reinforcing member. In one embodiment, the reinforcing member, the first reinforcing strip and the second reinforcing strip are positioned to define a truss structure.

20 In another embodiment, the reinforcing structure includes at least one reinforcing member oriented perpendicular to the direction of pleating that is positioned generally along at least one of the sloping side surfaces of the rear face. In one embodiment, the frame extends over distal ends of the reinforcing member. The reinforcing member may also be bonded to the filter media.

25 In another embodiment, the reinforcing structure includes a scrim that extends over the rear face of the pleated filter. In one embodiment, a portion of the frame extends over a perimeter of the scrim and onto the rear face of the filter media.

 In another embodiment, a scrim is substituted for the reinforcing strip located along the front face. The scrim is bonded to the pleat tips on the front face to form

60557-6636

a pleated filter. Any of the reinforcing members disclosed herein can be used along the rear face of the pleated filter.

According to another aspect of the present invention, there is provided a method of making a self-supporting, pleated air filter using a fully automated process, comprising the steps of: forming a plurality of pleats in a filter media extending along a front face and a rear face, the pleats comprising a plurality of pleat tips and sloping side surfaces generally perpendicular to a direction of pleating; bonding at least one planar, first reinforcing strip oriented in a direction of pleating to the pleat tips on the front face of a filter media to form a pleated filter capable of machine handling; positioning at least one reinforcing member in the pleats along the rear face of the pleated filter; and cutting the pleated filter to size.

According to another aspect of the present invention, there is provided a method of making a self-supporting, pleated filter, comprising the steps of: bonding at least one reinforcing member oriented in a direction of pleating to a rear face of a filter media; forming a plurality of pleats in a filter media and the reinforcing member along a front face and the rear face, the pleats comprising a plurality of pleat tips and sloping side surfaces generally perpendicular to a direction of pleating, the reinforcing member defining a plurality of reinforcing member pleat tips corresponding generally to the pleat tips; bonding a planar first reinforcing strip oriented in the direction of pleating to the pleat tips on the front face to form a pleated filter; bonding a planar second reinforcing strip to the reinforcing member pleat tips on the rear face

60557-6636

opposite the reinforcing member; and cutting the pleated filter to size.

According to still another aspect of the present invention, there is provided a method of making a self-
5 supporting, pleated filter, comprising the steps of: forming a plurality of pleats in a filter media along a front face and a rear face, the pleats comprising a plurality of pleat tips and sloping side surfaces generally perpendicular to a direction of pleating; bonding a planar first reinforcing strip oriented
10 in the direction of pleating to the pleat tips on the front face to form a pleated filter; positioning at least one reinforcing member generally along at least one of the sloping side surfaces of the rear face and perpendicular to the direction of pleating; bonding a planar second reinforcing
15 strip oriented in the direction of pleating to the pleat tips on the rear face; and cutting the pleated filter to size.

According to yet another aspect of the present invention, there is provided a method of making a self-
supporting, pleated air filter using a fully automated
20 process, comprising the steps of: forming a plurality of pleats in a filter media extending along a front face and a rear face, the pleats comprising a plurality of pleat tips and sloping side surfaces generally perpendicular to a direction of pleating; bonding a planar reinforcing scrim to the pleat
25 tips on the front face of a filter media to form a pleated filter capable of machine handling; positioning at least one reinforcing member in the pleats along the rear face of the pleated filter; and cutting the pleated filter to size.

According to a further aspect of the present
30 invention, there is provided a self-supporting, pleated filter, comprising: a filter media having a plurality of pleats defining a plurality of pleat tips and sloping side

60557-6636

surfaces extending along a front face and a rear face, the pleat tips being perpendicular to a direction of pleating; a reinforcing structure comprising; a generally planar first reinforcing strip oriented in the direction of pleating bonded
5 to the pleat tips along the front face; a reinforcing member extending in the direction of pleating generally along the contour of the pleat tips and sloping side surfaces on the rear face, the reinforcing member having reinforcing member pleat tips; and a generally planar second reinforcing strip
10 bonded to the reinforcing member pleat tips.

According to yet a further aspect of the present invention, there is provided a self-supporting, pleated filter, comprising: a filter media having a plurality of pleats defining a plurality of pleat tips and sloping side
15 surfaces extending along a front face and a rear face, the pleat tips being perpendicular to a direction of pleating; a reinforcing structure comprising; a generally planar first reinforcing strip oriented in the direction of pleating and bonded to the pleat tips along the front face; and at least
20 one reinforcing member oriented perpendicular to the direction of pleating and extending generally along at least one of the sloping side surfaces of the rear face.

According to still a further aspect of the present invention, there is provided a self-supporting, pleated
25 filter, comprising: a filter media having a plurality of pleats defining a plurality of pleat tips and sloping side surfaces extending along a front face and a rear face, the pleat tips being perpendicular to a direction of pleating; a reinforcing structure comprising; a generally planar scrim
30 bonded to the pleat tips across the front face; and at least one reinforcing member oriented perpendicular to the direction of pleating and extending generally along at least one of the sloping side surfaces of the rear face.

60557-6636

Brief Description of the Drawings

5 Figure 1 is a schematic illustration of a system for performing the method of the present invention.

 Figure 2 is a perspective view of a self-supporting pleated filter in accordance with the present invention.

10 Figure 3 is a top schematic illustration of one embodiment of the method of the present invention.

 Figure 4 is a top schematic illustration of an alternate method in accordance with the present invention.

 Figure 5 is a sectional view of a self-supporting pleated filter in accordance with the present invention.

15 Figure 6 is a side sectional view of the pleated filter of Figure 5.

 Figure 7 is a side sectional view of an alternate reinforcing member in accordance with the present invention.

 Figure 8 is a side sectional view of an alternate reinforcing member in accordance with the present invention.

20 Figure 9 is a side sectional view of an alternate reinforcing member in accordance with the present invention.

Detailed Description of the Invention

 Figure 1 is a schematic illustration of a system 20 for performing the method of the present invention. Filter media 22 is typically provided on a continuous roll 24. The media 22 may be slit to the desired width at slitting station 26. The media 22 may optionally be preheated at a heating station 28 to facilitate processing. In the illustrated embodiment, the heating station 28 is an infrared heater.

 In one embodiment, a reinforcing member 30 is applied to a rear face 32 of the media 22 at a location 34. As will be discussed in detail below, the reinforcing member 30 may be applied as one or more continuous strips oriented in the direction of pleating 36,

as discrete reinforcing members oriented perpendicular to the direction of pleating 36, or a variety of other configurations. The reinforcing member 30 may optionally be bonded to the media 22 using a variety of techniques, such as adhesive bonding, thermal bonding, solvent bonding, or ultrasonic bonding. In this embodiment, the location 34 is upstream of rotary-score pleater 38 that scores the media 22 and the reinforcing member 30 prior to pleating. The rotary-score pleater 38 and pleat folding station 40 may be modified to accommodate the increased thickness in the filter media 22 at the location of the reinforcing member 30.

The assembly of the media 22 and the reinforcing member 30 is advanced through the rotary-score pleater 38 to a pleat folding station 40. Infrared heaters 42 may optionally be provided for heat-setting the pleats 44. The pleats 44 are retained in an accumulator 46 until being advanced to a pleat spacing device 48 that retains the pleats 44 in the desired pleat spacing. Pleat formation and pleat spacing may be performed by a variety of methods, such as disclosed in U.S. Patent Nos. 4,798,575 (Siversson); 4,976,677 (Siversson); and 5,389,175 (Wenz).

The pleated filter media 60 is expanded to the desired pleat spacing in the pleat spacing device 48. One or more elongated, planar reinforcing strips 62 are applied to the pleat tips along the front face 64 at the station 68 to maintain the pleat spacing. The reinforcing strips 62 can be bonded to the pleat tips by various techniques, such as adhesive bonding, thermal bonding, solvent bonding, or ultrasonic bonding. The pleated filter media 60 and the reinforcing strip 62 define a pleated filter 72 that can be cut, machined handled or otherwise processed. The reinforcing strips 62 provide dimensional stability to the pleats 44 of the pleated filter 72. The pleated filter 72 can be used in filtration applications, with or without a frame structure, or as an insert into a permanent/reusable frame.

In another embodiment, a scrim 62 extending substantially across the entire front face 64 is substituted for the planar reinforcing strips 62. The scrim is bonded to the pleat tips to provide dimensional stability to the pleated filter 72. Use of a scrim 62 extending across the front face 64 may be used in combination with any of the reinforcing members discussed herein.

60557-6636

In the illustrated embodiment, one or more elongated, planar reinforcing strips 66 are optionally bonded to the rear face 32 of the pleated filter media 60 at the station 68. In one embodiment, the reinforcing strips 66 are located over the reinforcing member 30 and opposite the reinforcing strips 62 to form truss structures (see Figure 6).

5 In one embodiment, a continuous strip of frame material 80 is applied to the ends of the pleated filter media 60 parallel to the direction of pleating 36. An adhesive, such as a hot melt adhesive, is applied to a first flange of a U-shaped channel formed from the frame material 80 at the station 87. The adhesive for sealing the ends of the pleats 44 is applied at station 88. A hot melt adhesive is applied to the second flange of the U-shaped
10 channel at station 90. The frame material 80 is bent into its U-shaped configuration at station 94. The ends U-shaped channel extend partially onto the front face 64 and rear face 32 of the pleated filter media 60 (see Figure 5). An assembly including the endless web of pleated filter media 60 and attached frame material 80 is cut at station 86 to desired lengths. Alternatively, the pleated filter comprising the pleated filter media 60 and the
15 reinforcing strips 62 can be cut to size before application of the frame material 80.

The pleated filter media 60 and side frames members 92 are rotated 90° at location 91 to permit application of the end frame members 96 at a station 98. Alternatively, the frame members 92, 96 can be configured as two box structures that are positioned over the first and second faces 32, 64, respectively, of the pleated filter 72, with
20 overlapped circumferential portions, such as disclosed in U.S. Patent No. 5,782,944 (Justice). In another embodiment, the frame member members 92, 96 can be configured as a one-sided die-cut frame that is folded around the pleated filter 72.

In embodiments where the pleated filter media 60 is used without frame members 92, 96, the pleated filter 72 exits the system 20 after the cutting station 86.
25 Alternatively, a pleated filter 100 with a frame (see Figure 2) exits the system 20. The pleated filters 72, 100 are typically enclosed in suitable packaging.

Pleat spacing is typically about 3 to about 6 pleats per 2.54 centimeters (1 inch). Pleat depth and the thickness of the filter 100 is typically about 2.54 centimeters to about 10.16 centimeters (1 inch to 4 inches). For HVAC applications, the length and width
30 of the filter 100 is typically 30.5 centimeters x 30.5 centimeters (12 inches x 12 inches) to

about 50.8 centimeters x 76.2 centimeters (20 inches x 30 inches). Reference to the front face 64 or rear face 32 is for purposes of description only and does not indicate an orientation of the pleated filter 100. For example, the reinforcing member 30 may be positioned upstream or downstream in the air flow.

5 The resulting pleated filter 100 in accordance with the present invention is self-supporting. A pleated filter is self-supporting as defined herein when the portion of the pleats 44 that are not directly supported by the reinforcing member 30 or the reinforcing strips 62, 66 do not collapse or bow excessively when subjected to the air pressure typically encountered in forced air ventilation systems.

10 Stiffness of the filter media 22 is a factor in determining the suitability of a particular filter media for use in the present invention. A Taber V-5 Stiffness Tester, Model 150-B, made by Teledyne Taber of North Tonawanda, New York, can be used to evaluate the stiffness of the filter media. The V-5 stiffness tester operates by bending a specimen about 38.1 millimeters wide by about 38.1 millimeters long (1.5 inches by 1.5
15 inches) to a prescribed angular of deflection and measuring the force, in stiffness units ranging from 0-10, used to obtain this deflection. In many heating, ventilating and air conditioning (HVAC) applications, the air pressure is generally about 125 Pa to about 249.1 Pa (0.5 to 1.0 inch column of water) and the face velocity is approximately 91.5 meters per minute (300 feet per minute). For HVAC filtration applications, the minimum
20 stiffness value is greater than about 1.2 stiffness units, and preferably greater than about 1.5 stiffness units and more preferably greater than about 2 stiffness units.

 The U-shaped channel of the side frame members 92 serve to further stabilize the pleated filter media 60 and to seal the ends of the pleats 44 to prevent air bypass in the final pleated filter 100. In one embodiment, a viscous adhesive such as a
25 foamed adhesive, a filled adhesive or a caulk is used to seal the ends of the pleats 44 to the frame members 92, 96. Latex caulk is well suitable for this purpose since it is low cost and has low volatile organic content. On the other hand, latex caulks have a long set time. Therefore, other adhesives, such as hot melt adhesives, are utilized to bond the two sides of the U-shaped channel formed from the frame material 80 to the pleat tips 44. A variety of

techniques may be used for applying the frame members 92, 96 to the pleated filter, such as disclosed in U.S. Patent No. 4,731,047 (Lobb).

Figure 3 is a top schematic illustration of one embodiment of the present method for making a self-supporting pleated filter. The reinforcing member 30 is oriented in the direction of pleating 36 along the rear face 32. In one embodiment, the reinforcing member 30 is bonded to the filter media 22. In the illustrated embodiment, the reinforcing member 30 is strips about 6.4 centimeters to about 25.4 centimeters (0.25 inches to about 1 inch) wide. The filter media 22 and reinforcing member 30 are subject to a pleating operation at station 40, resulting in pleats being formed in the reinforcing members 30. The pleated reinforcing members 30 include reinforcing member pleat tips 120.

The reinforcing strip 62 is applied to the front face 64 of the pleated filter media 60 at the station 68 to form the pleated filter 72 (see Figure 1). The reinforcing strip 66 is also bonded to the reinforcing member pleat tips 120 at the station 68. The reinforcing strips 62, 66 provide added dimensional stability to the pleated filter media 60 to facilitate machine handling. Frame material 80 is optionally applied to the edges of the pleated filter media 60 parallel to the direction of pleating 36 to form side frame members 92, as previously discussed. The combination of the pleated reinforcing member 30, the reinforcing strips 66 along the rear face 32 and the reinforcing strip 62 along the front face form a truss structure that gives the pleated filter media 60 its self-supporting properties (see Figure 6). The pleated filter media 60 and frame material 80 are cut to length at the cutting station 86. Alternatively, the pleated filter 72 can be cut to size prior to application of the frame material 80.

Figure 4 is a top schematic illustration of an alternate method in accordance with the present invention. The reinforcing member 30 is applied to the media 22 at discrete locations along the rear surface 32 perpendicular to the direction of pleating 36. The reinforcing member 30 may optionally be bonded to the filter media 22. The assembly of the filter media 22 and the reinforcing member 30 is subject to the pleating operation at the station 40 so that the reinforcing member 30 is simultaneously pleated with the filter media 22.

The reinforcing strip 62 is applied to the front face 64 of the pleated filter media 60 at the station 68 to form the pleated filter 72 (see Figure 1). Reinforcing strips 66 are optionally applied to the pleat tips along the rear face 32 at the station 68. In the embodiment illustrated in Figure 4, the side frame members 92 preferably extend onto the rear face 32 of the pleated filter media 60 so that stresses imposed on the reinforcing members 30 are transmitted to the frame members 92.

Turning back to Figure 1, the reinforcing member 30 may optionally be inserted directly into the pleated filter media 60 at a station 70. The reinforcing member 30 can be preformed to correspond to the pleat tips and sloping side surfaces of the pleats 44 (see Figure 7). The reinforcing member 30 may optionally be bonded to the pleated filter media 60. In one embodiment, the station 70 is located upstream of the station 68 where the reinforcing strip 66 is applied to the rear face 32. In this embodiment, the reinforcing strip 66 helps to retain the reinforcing member 31 to the pleated filter media 60. Alternatively, the reinforcing member 30 may be inserted into the pleats of the pleated filter media 60 at station 70' located downstream of the station 68.

The reinforcing member 30 may be a scrim extending across the rear face 32 prior to forming the frame members 92, 96. The stations 70 or 70' may be used to position a scrim along the rear face 32. The scrim may optionally be adhesively bonded to the pleated filter media 60. In this embodiment, the reinforcing strip 62 will be applied to the front face 64 to maintain pleat spacing and facilitate machine handling, but the reinforcing strip 66 along the rear face 32 may be unnecessary.

The filter media 22 may be paper, porous films of thermoplastic or thermoset materials, nonwoven webs of synthetic or natural fibers, scrims, woven or knitted materials, foams, or electret or electrostatically charged materials. The filter media 22 may also include sorbents, catalysts, and/or activated carbon (granules, fibers, fabric, and molded shapes). Electret filter webs can be formed of the split fibrillated charged fibers as described in U.S. Pat. No. RE 30,782. These charged fibers can be formed into a nonwoven web by conventional means and optionally joined to a supporting scrim such as disclosed in U.S. Pat. No. 5,230,800 forming an outer support layer. Alternatively, the filter media 22 can be a melt blown microfiber nonwoven web, such as disclosed in U.S. Pat. No.

4,817,942 which can be joined to a support layer during web formation as disclosed in that patent, or subsequently joined to a support web in any conventional manner. The reinforcing member 30 and the reinforcing strips 62, 66 may be constructed from various paper products, polymeric materials, or metals. These materials can be configured as strips, films, scrims, strands or filaments. The frame members are typically paper products, such as chipboard, or polymeric materials.

Figures 5 and 6 illustrate a self-supporting pleated filter 200 that corresponds with the method illustrated in Figure 3. The pleated filter media 60 is retained within a pair of opposing side frame members 92 and end frame members 96. The reinforcing member 30 of Figure 3 corresponds generally to the reinforcing member 202 that extends in the direction of pleating 36 and generally follows the contour of the pleat tips 204 and sloping side surfaces 206, 208. That is, the reinforcing member 202 extends into the pleats along the z-axis. The z-axis is the axis perpendicular to a plane defined by the front face 64 or the rear face 32 of the pleated filter media 60. The reinforcing member 202 has a plurality of reinforcing member pleat tips 210. Reinforcing strip 66 is optionally bonded to the reinforcing member pleat tips 210 along the rear face 211. Reinforcing strip 62 is oriented in the direction of pleating 36 and bonded to the pleat tips 204 along the front face 212 and opposite the reinforcing member 202 to form a truss structure.

Figure 7 is a perspective view of an alternate self-supporting pleated filter 230 that corresponds generally to the method illustrated in Figure 4. The reinforcing member 30 corresponds generally to the reinforcing member 232. The reinforcing member 232 extends into the pleats along the z-axis, perpendicular to the rear face 32. The reinforcing member 232 can be bonded to the pleated filter media 60, retained by the side frame members 92, or a combination thereof. The reinforcing strip 66 may optionally be provided along the rear face 32. In the illustrated embodiment, the reinforcing member 232 has a V-shape that extends along a pair of opposing side surfaces 234, 236 of two pleats 238. In an alternate embodiment, the reinforcing structure 232 extends across a single pleat. In one embodiment, the reinforcing member 232 is a metal scrim.

Figure 8 illustrates an alternate reinforcing structure 250 that is deposited in the pleats 252, rather than being pleated with the filter media 60. The reinforcing structure

250 is typically inserted into the pleats 252 of the pleated filter media 60 prior to application of the optional reinforcing strip 66. In the embodiment illustrated in Figure 8, the reinforcing structure 250 extends along a single pleat 252 and includes side extensions 254 that extend parallel to the rear face 32 over additional pleats. In order to minimize pressure drop across the pleated filter media 60, the reinforcing structure 250 is a porous material, such as a scrim. The reinforcing structure 250 may be retained to the pleated filter media 60 by bonding, by the optional reinforcing strip 66 and/or by the side frame members 92. In an alternate embodiment, the reinforcing structure 250 has a triangular shape corresponding to the shape of the pleats 252.

Figure 9 illustrates an alternate pleated filter 270 with a continuous reinforcing structure 272 extending across the rear surface 32 of the filter media 60. Reinforcing strips 62 are located along the front face 64 (see Figure 1). Reinforcing strip 66 is optionally provided on the rear face 32 over or under the reinforcing structure 272. The reinforcing structure 272 may be retained to the pleated filter media 60 by bonding to the frame members 92, 96 and/or the filter media 60, by the optional reinforcing strip 66 and/or by the side frame members 92. The continuous reinforcing structure 272 may be a scrim, mesh, screen or other porous material. In an alternate embodiment, the continuous reinforcing structure 272 is bonded to the pleat tips along the front face 64 in place of the reinforcing strips 62.

The complete disclosures of all patents, patent applications, and publications are incorporated herein by reference as if individually incorporated. Various modifications and alterations of this invention will become apparent to those skilled in the art without departing from the scope and spirit of this invention, and it should be understood that this invention is not to be unduly limited to the illustrative embodiments set forth herein.

60557-6636

CLAIMS :

1. A method of making a self-supporting, pleated air filter using a fully automated process, comprising the steps of:

5 forming a plurality of pleats in a filter media extending along a front face and a rear face, the pleats comprising a plurality of pleat tips and sloping side surfaces generally perpendicular to a direction of pleating;

bonding at least one planar, first reinforcing strip oriented in a direction of pleating to the pleat tips on the front face of a filter media to form a pleated filter capable of machine handling;

10 positioning at least one reinforcing member in the pleats along the rear face of the pleated filter; and

cutting the pleated filter to size.

2. The method of claim 1 further comprising a step of applying frame members to the pleated filter.

3. The method of claim 1 wherein the step of positioning at least one reinforcing member comprises the steps of:

20 positioning the reinforcing member oriented in the direction of pleating to the rear face of a filter media prior to the step of forming a plurality of pleats; and

forming a plurality of pleats in the reinforcing member during the step of forming the pleats in the filter media.

4. The method of claim 3 further comprising a step of bonding a planar second reinforcing strip oriented in the direction of pleating to the pleat tips.

5. The method of claim 3 wherein the pleats formed in the reinforcing member define reinforcing member pleat tips, the method further comprising a step of bonding a planar second reinforcing strip oriented in the direction of pleating to the reinforcing member pleat tips to form a truss structure.

60557-6636

6. The method of claim 4 wherein each of the reinforcing member, the first reinforcing strip and the second reinforcing strip comprise a width of about 6.4 millimeters to about 25.4 millimeters.

5

7. The method of claim 1 wherein the step of positioning at least one reinforcing member comprises the steps of:

positioning a plurality of reinforcing members oriented perpendicular to the direction of pleating to the rear face of a filter media prior to the step of forming the pleats;
and

10

forming a plurality of pleats in the reinforcing members during the step of forming the pleats in the filter media.

8. The method of claim 7 wherein the reinforcing member extends across at least one sloping side surface of a pleat.

15

9. The method of claim 7 wherein the reinforcing member extends across at least one pleat.

10. The method of claim 7 further comprising a step of bonding a second reinforcing strip oriented in the direction of pleating to the pleat tips on the rear face.

20

11. The method of claim 1 wherein the step of positioning the reinforcing member comprises the steps of inserting the reinforcing member along at least one of the sloping side surfaces of the pleats on the rear face in a direction perpendicular to the direction of pleating after the step of forming the plurality of pleats in the filter media.

25

12. The method of claim 11 further comprising a step of bonding a planar second reinforcing strip oriented in the direction of pleating to the pleat tips on the rear face over the reinforcing member.

30

60557-6636

13. The method of claim 1 wherein the step of positioning the reinforcing member comprises positioning a planar scrim that extends across the rear face of the filter media.

5 14. The method of claim 1 wherein the reinforcing member and reinforcing strips comprises one of films, scrims, strands or filaments constructed from paper products, metals, polymeric materials, or combinations thereof.

10 15. The method of claim 1 further comprising a step of bonding the reinforcing member to the filter media.

16. The method of claim 2 wherein the step of applying the frame members comprises extending a portion of the frame members over distal ends of the reinforcing member.

15

17. The method of claim 2 wherein the step of applying frame members comprises the steps of:

applying side frame members to the pleated filter parallel to the direction of pleating; and

20

applying end frame members to the pleated filter perpendicular to the direction of pleating.

18. The method of claim 1 wherein the step of pleating the filter media comprises the step of forming about 3 to about 6 pleats per 2.54 centimeters (1 inch).

25

19. The method of claim 1 wherein the step of pleating the filter media comprises the step of forming a pleat depth of about 2.54 centimeters to about 10.16 centimeters (1 inch to 4 inches).

60557-6636

20. The method of claim 1 further comprising a step of forming a pleated air filter wherein the front face has a length and a width of about 30.5 centimeters by about 30.5 centimeters (12 inches x 12 inches) to about 50.8 centimeters by about 76.2 centimeters (20 inches x 30 inches).

5

21. The method of claim 1 further comprising a step of selecting a filter media with a stiffness of at least 1.2 stiffness units.

10

22. The method of claim 1 further comprising a step of selecting a filter media with a stiffness of at least 1.5 stiffness units.

23. A method of making a self-supporting, pleated filter, comprising the steps of:

15 bonding at least one reinforcing member oriented in a direction of pleating to a rear face of a filter media;

forming a plurality of pleats in a filter media and the reinforcing member along a front face and the rear face, the pleats comprising a plurality of pleat tips and sloping side surfaces generally perpendicular to a direction of pleating, the reinforcing member defining a plurality of reinforcing member pleat tips corresponding generally to the pleat tips;

20

bonding a planar first reinforcing strip oriented in the direction of pleating to the pleat tips on the front face to form a pleated filter;

bonding a planar second reinforcing strip to the reinforcing member pleat tips on the rear face opposite the reinforcing member; and

25

cutting the pleated filter to size.

24. The method of claim 23 further comprising a step of applying frame members to the pleated filter.

60557-6636

25. A method of making a self-supporting, pleated filter, comprising the steps of:

forming a plurality of pleats in a filter media along a front face and a rear face, the pleats comprising a plurality of pleat tips and sloping side surfaces generally perpendicular to a direction of pleating;

bonding a planar first reinforcing strip oriented in the direction of pleating to the pleat tips on the front face to form a pleated filter;

positioning at least one reinforcing member generally along at least one of the sloping side surfaces of the rear face and perpendicular to the direction of pleating;

bonding a planar second reinforcing strip oriented in the direction of pleating to the pleat tips on the rear face; and

cutting the pleated filter to size.

26. The method of claim 25 further comprising a step of applying frame members to the pleated filter.

27. A method of making a self-supporting, pleated air filter using a fully automated process, comprising the steps of:

forming a plurality of pleats in a filter media extending along a front face and a rear face, the pleats comprising a plurality of pleat tips and sloping side surfaces generally perpendicular to a direction of pleating;

bonding a planar reinforcing scrim to the pleat tips on the front face of a filter media to form a pleated filter capable of machine handling;

positioning at least one reinforcing member in the pleats along the rear face of the pleated filter; and

cutting the pleated filter to size.

60557-6636

28. A self-supporting, pleated filter, comprising:
a filter media having a plurality of pleats defining a plurality of pleat tips and sloping side surfaces extending along a front face and a rear face, the pleat tips being perpendicular to a direction of pleating;
- 5 a reinforcing structure comprising;
a generally planar first reinforcing strip oriented in the direction of pleating bonded to the pleat tips along the front face;
a reinforcing member extending in the direction of pleating generally along the contour of the pleat tips and sloping side surfaces on the rear face,
10 the reinforcing member having reinforcing member pleat tips; and
a generally planar second reinforcing strip bonded to the reinforcing member pleat tips.
29. The article of claim 28 wherein the reinforcing member and
15 reinforcing strips comprises one of films, scrims, strands or filaments constructed from paper products, metals, polymeric materials, or combinations thereof.
30. The article of claim 28 wherein the reinforcing member is bonded to
the filter media.
- 20 31. The article of claim 28 wherein the reinforcing structure extends onto a portion of the front face and the rear face.
32. The article of claim 28 wherein the perimeter of the filter media is
25 adhesively bonded to the reinforcing structure.
33. The article of claim 28 wherein the reinforcing member, first reinforcing strip and second reinforcing strip comprise a truss structure.

60557-6636

34. The article of claim 28 wherein the filter media comprises about 3 to about 6 pleats per 2.54 centimeters (1 inch).

5 35. The article of claim 28 wherein the pleats have a depth of about 2.54 centimeters to about 10.16 centimeters (1 inch to 4 inches).

36. The article of claim 28 wherein the filter media has a stiffness of at least 1.2 stiffness units.

10 37. The article of claim 28 wherein the filter media has a stiffness of at least 1.5 stiffness units.

38. The article of claim 28 comprising a frame extending around a perimeter of the filter media.

15

39. A self-supporting, pleated filter, comprising:
a filter media having a plurality of pleats defining a plurality of pleat tips and sloping side surfaces extending along a front face and a rear face, the pleat tips being perpendicular to a direction of pleating;

20

a reinforcing structure comprising;

a generally planar first reinforcing strip oriented in the direction of pleating and bonded to the pleat tips along the front face; and

25

at least one reinforcing member oriented perpendicular to the direction of pleating and extending generally along at least one of the sloping side surfaces of the rear face.

40. The article of claim 39 wherein the reinforcing member and reinforcing strip comprises one of films, scrims, strands or filaments constructed from paper products, metals, polymeric materials, or combinations thereof.

30

60557-6636

41. The article of claim 39 wherein the reinforcing structure extends over distal ends of the reinforcing member.

5 42. The article of claim 39 wherein the reinforcing member is bonded to the filter media.

43. The article of claim 39 comprising a frame extending around a perimeter of the filter media.

10 44. A self-supporting, pleated filter, comprising:
a filter media having a plurality of pleats defining a plurality of pleat tips and sloping side surfaces extending along a front face and a rear face, the pleat tips being perpendicular to a direction of pleating;

15 a reinforcing structure comprising:
a generally planar scrim bonded to the pleat tips across the front face; and

20 at least one reinforcing member oriented perpendicular to the direction of pleating and extending generally along at least one of the sloping side surfaces of the rear face.

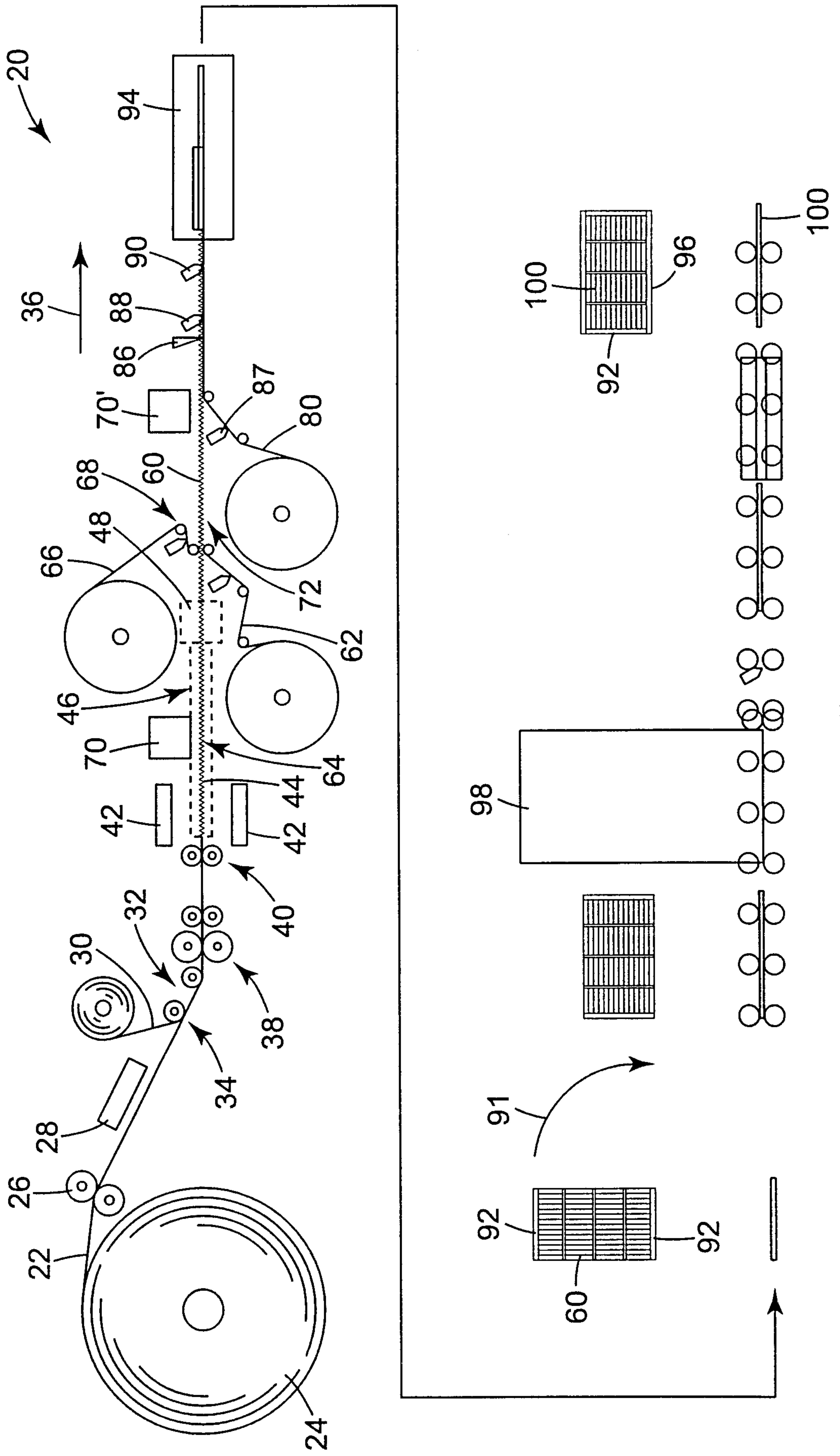


Fig. 1

2/5

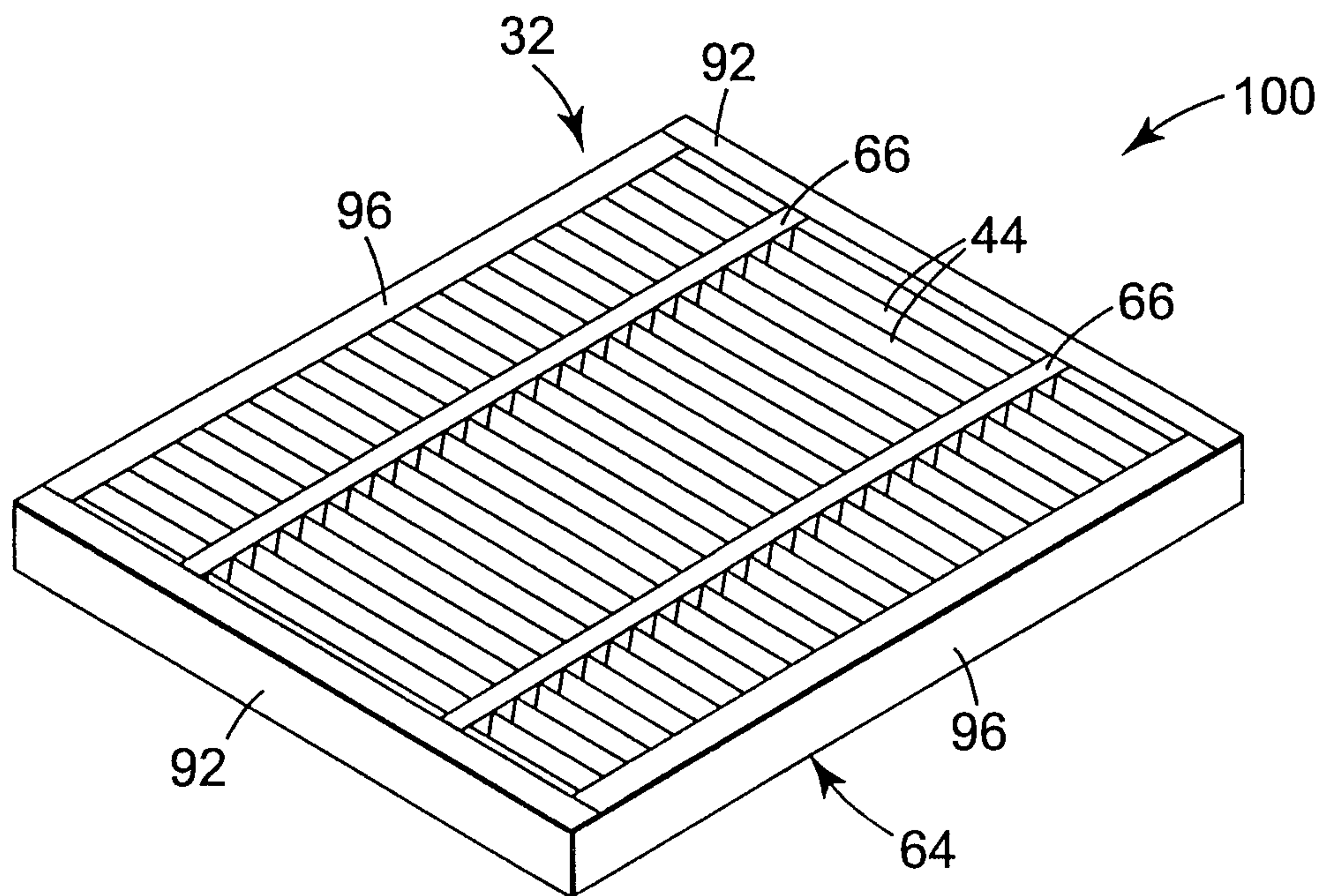


Fig. 2

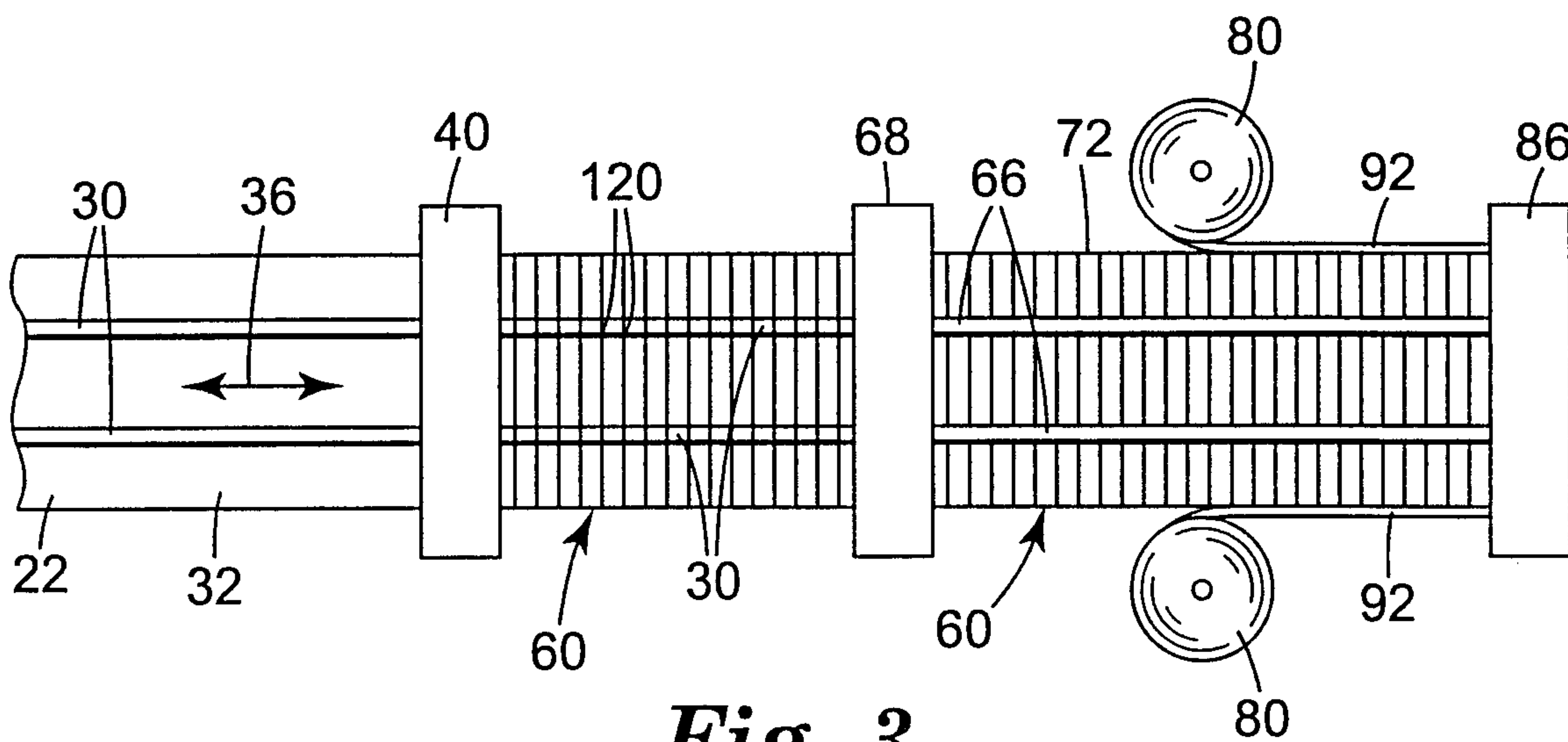


Fig. 3

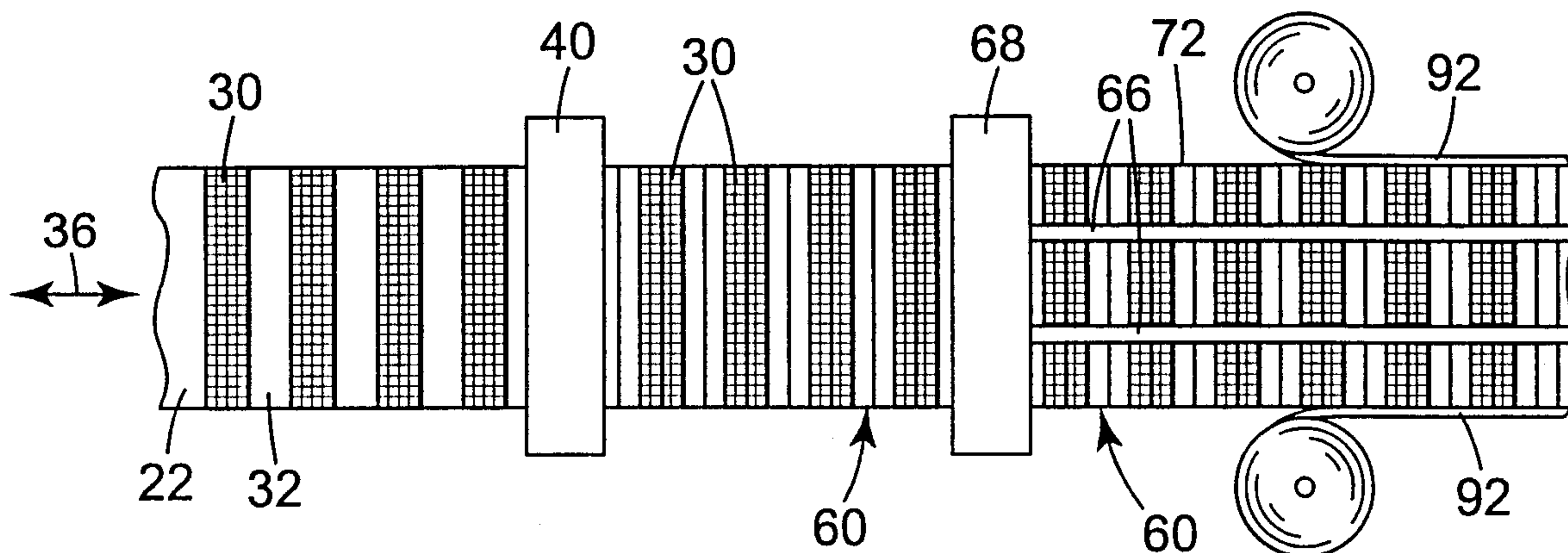


Fig. 4

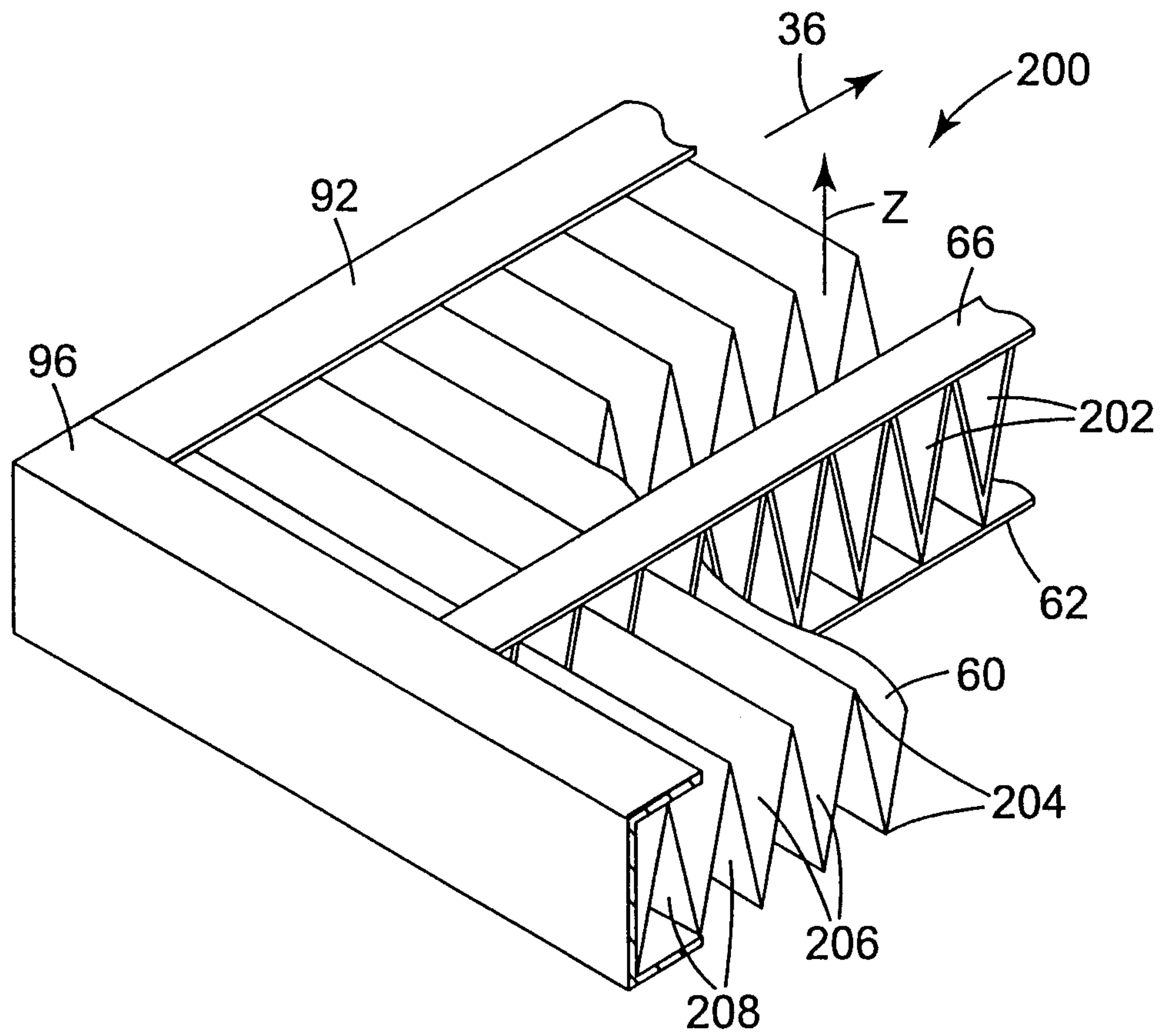


Fig. 5

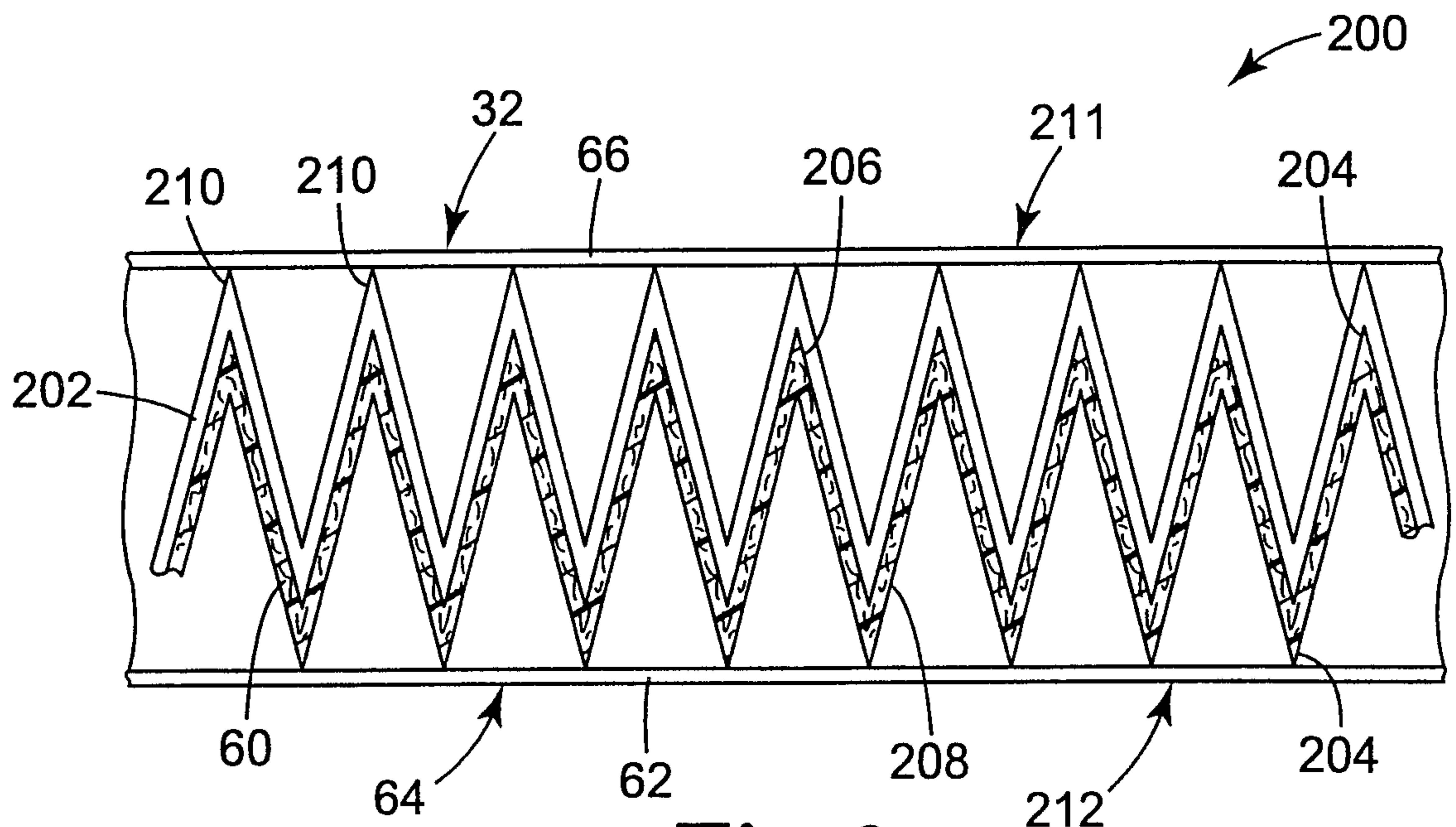


Fig. 6

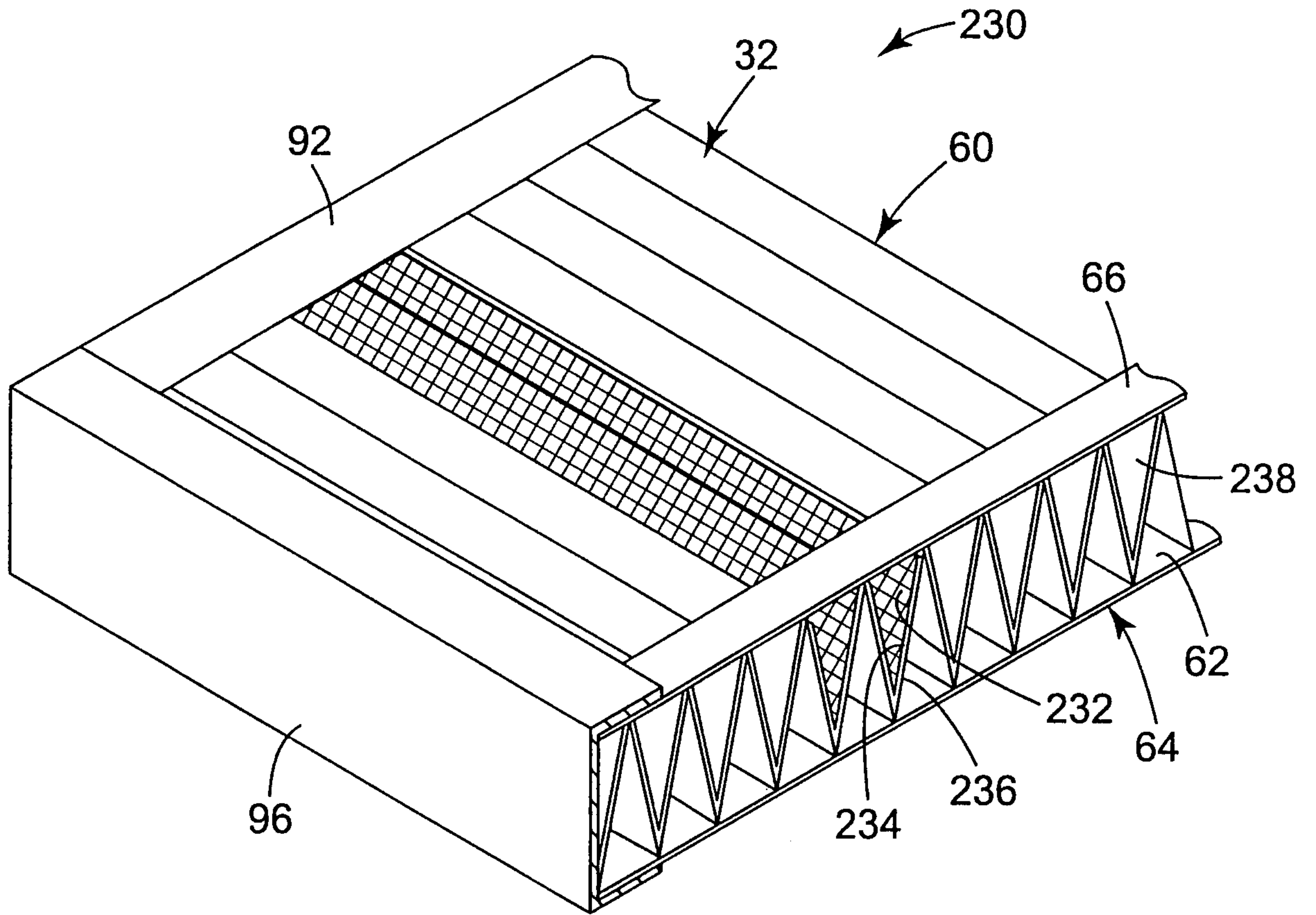


Fig. 7

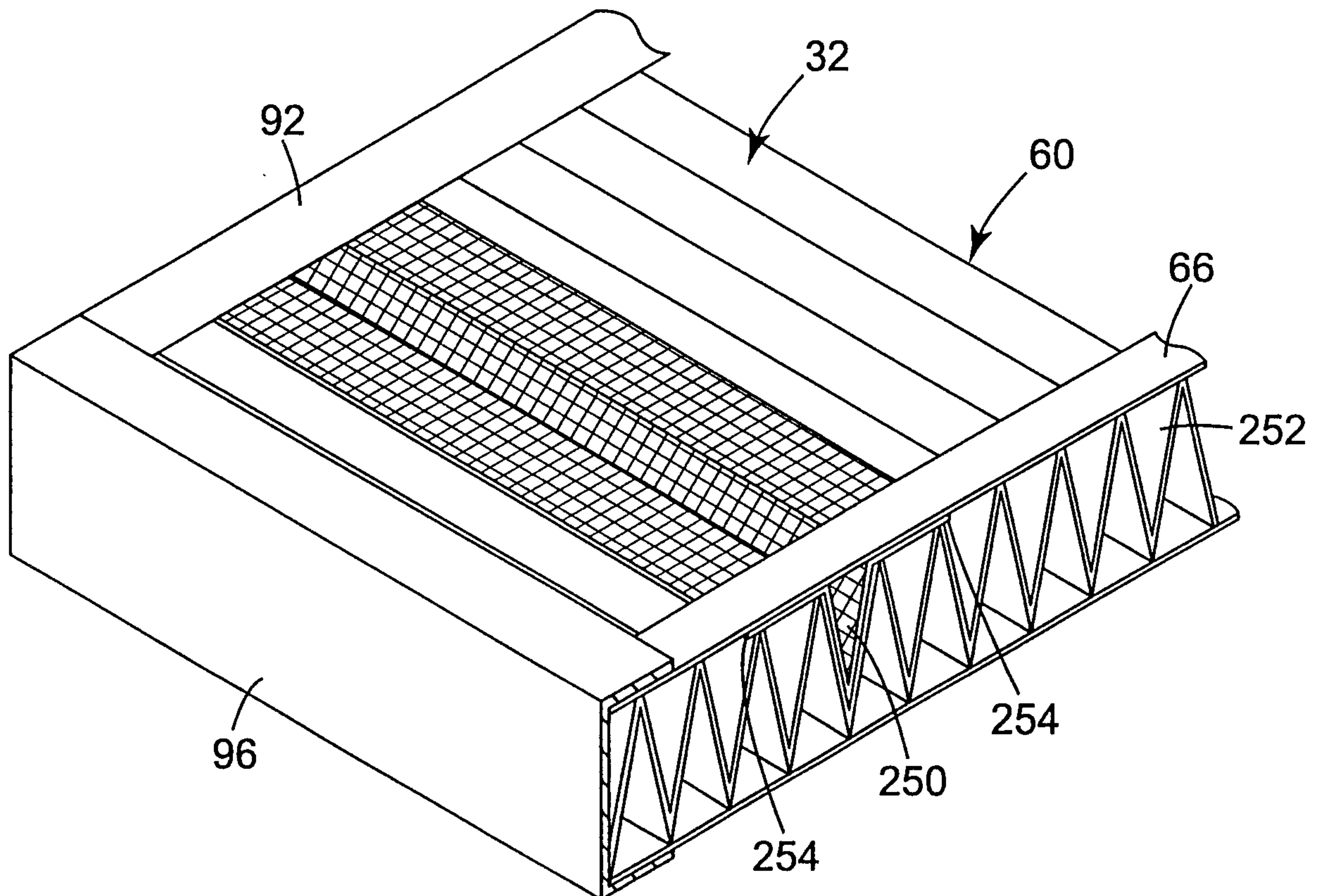


Fig. 8

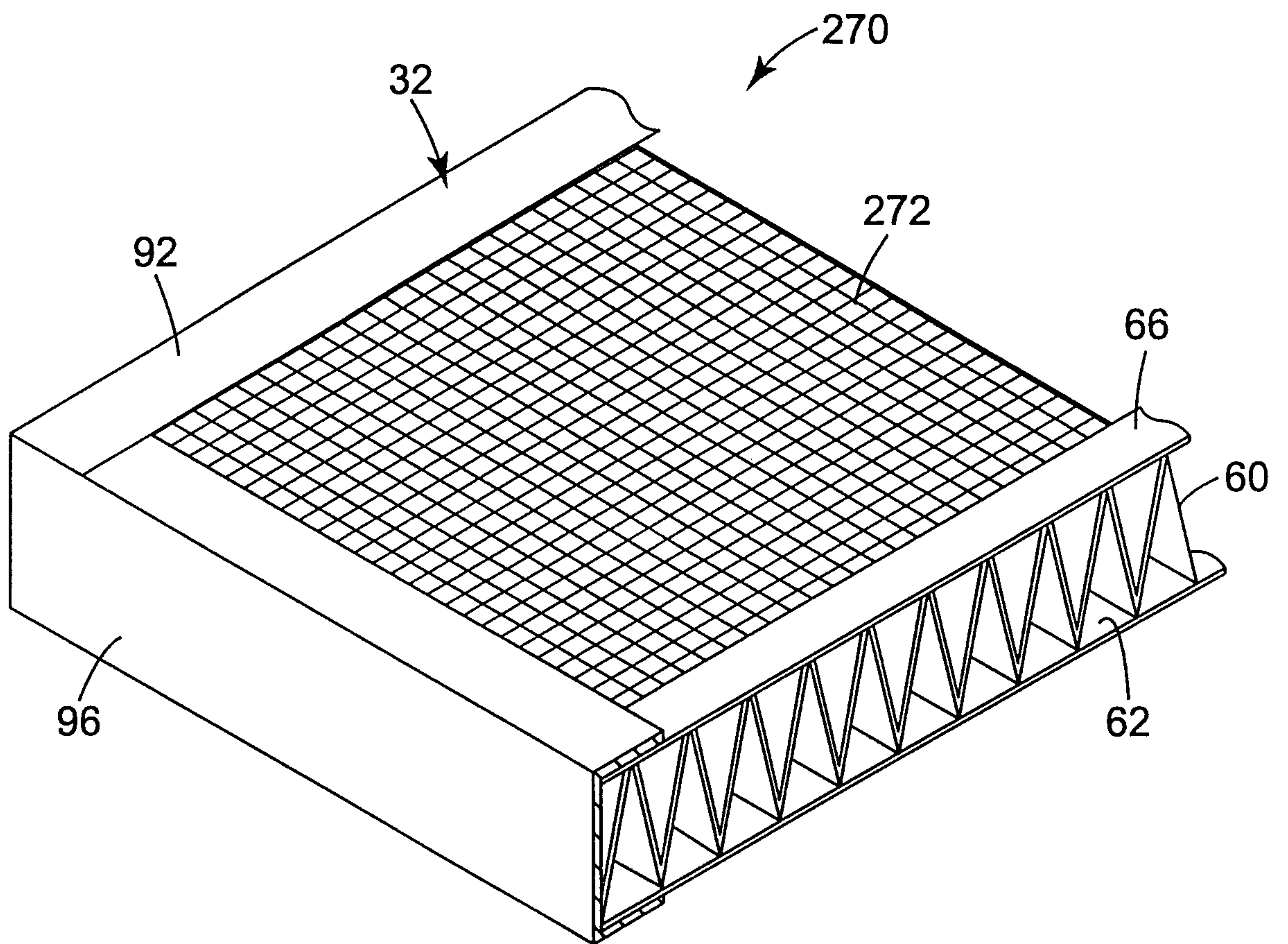


Fig. 9

