

(19) World Intellectual Property Organization
International Bureau



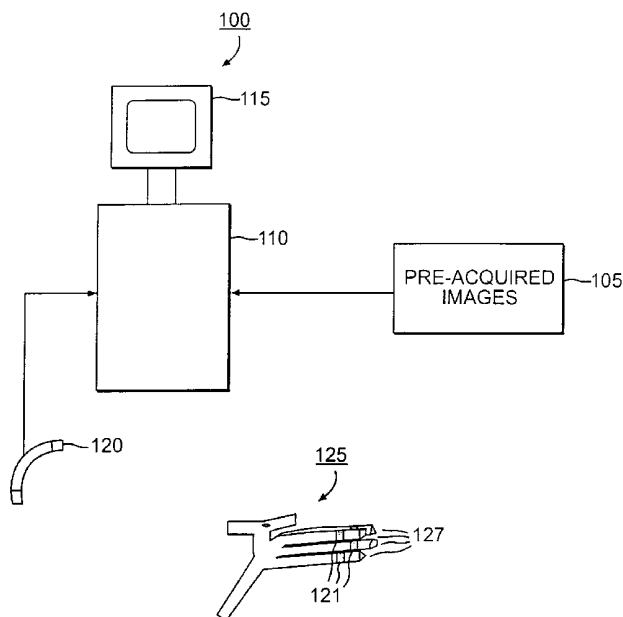
(43) International Publication Date
7 September 2001 (07.09.2001)

PCT

(10) International Publication Number
WO 01/64124 A1

- (51) International Patent Classification⁷: **A61B 19/00** (74) Agents: **GARRETT, Arthur, S.** et al.; Finnegan, Henderson, Farabow, Garrett & Dunner, L.L.P., 1300 I Street, NW, Washington, DC 20005-3315 (US).
- (21) International Application Number: PCT/US01/06477
- (22) International Filing Date: 1 March 2001 (01.03.2001) (84) Designated States (regional): European patent (AT, BE, CH, CY, DE, DK, ES, FI, FR, GB, GR, IE, IT, LU, MC, NL, PT, SE, TR).
- (25) Filing Language: English
- (26) Publication Language: English
- (30) Priority Data: 60/186,200 1 March 2000 (01.03.2000) US
- (71) Applicant: **MEDTRONIC SURGICAL NAVIGATION TECHNOLOGIES** [US/US]; 826 Coal Creek Circle, Louisville, CO 80027 (US). For two-letter codes and other abbreviations, refer to the "Guidance Notes on Codes and Abbreviations" appearing at the beginning of each regular issue of the PCT Gazette.
- (72) Inventors: **MELKENT, Anthony, J.**; 9000 Armadale Drive, Germantown, TN 38139 (US). **KAHLER, David, M.**; 3801 Bleak House Road, Earlysville, VA 22936 (US).

(54) Title: MULTIPLE CANNULA IMAGE GUIDED TOOL FOR IMAGE GUIDED PROCEDURES



(57) Abstract: Apparatus and methods are disclosed for use within an image-guided surgical navigation system for facilitating the combined positioning and orientation of multiple surgical implements. A tool guide having multiple cannulas is tracked by a surgical navigation system in real time. Position data of the tool guide is registered and combined with pre-acquired images by the navigation computer. Concurrent graphical representations of the cannulas are superimposed over the images and displayed. The display allows the surgeon to place the tool guide into the patient's body and position and orient the cannulas which are then used to place each of the implements.



WO 01/64124 A1

MULTIPLE CANNULA IMAGE GUIDED TOOL
FOR IMAGE GUIDED PROCEDURES

CROSS REFERENCE TO RELATED APPLICATIONS

5 This application claims the benefit of United States provisional application No. 60/186,200 entitled "Multiple Cannula Image Guided Tool for Image Guided Procedures," filed March 1, 2000.

BACKGROUND OF THE INVENTION

Field of Invention

10 The present invention is directed generally to image-guided medical procedures, and more particularly, to instrumentation for the optimal placement of multiple surgical implements using image-based surgical guided navigation systems.

Description of the Related Art

15 Many surgical procedures include a surgeon placing multiple implements within a patient's body. Some of these procedures dictate implement placement in a specific geometry to maximize the effectiveness of the treatment. Certain factors, such as the characteristics of the patient's anatomy, can also influence the desired relative placement of the multiple
20 implements. Some procedures place the implements at a specified angle relative to each other, while others may use a parallel arrangement. One such procedure which utilizes a parallel configuration is the fixation of a femoral neck fracture. Typically, this type of fracture is stabilized utilizing three parallel cannulated screws. Each screw is placed perpendicularly to the
25 fracture site and in such a manner that the distance between each screw is equal, thus forming an equilateral triangle. Parallel placement of the screws is desired so that the bones are properly pulled together. If the screws are not placed in such a parallel manner, shearing forces at the fracture site can prevent proper healing. Furthermore, the triangular screw arrangement
30 increases the stability of the fracture fixation and prevents rotation between the bone fragments. Studies have suggested that three screws are an optimal number since additional implements provide no strength advantage and additional screw penetration increases risk. Femoral neck fracture stabilization using this method can be performed percutaneously while the

patient is under regional anesthesia, thus reducing risk associated with more invasive procedures.

Traditional techniques to accurately position and orient implements have included the use of x-ray images to localize the position of the
5 implement tool guide. Through the continuous acquisition of x-ray images during the medical procedure, real-time placement of the tool guide relative to the patient's anatomy can be displayed. More recently, fluoroscopically-based surgical navigation systems have been employed for tool guide
10 positioning by tracking the tool and superimposing its representation onto pre-acquired images without requiring x-rays to be continually taken during the actual surgical procedure.

Current practice for multiple implement placement utilizing image-based surgical navigation systems typically employs tracked guides which contain a single cannula. As used herein, the term cannula refers to a tubular
15 member having at least one hollow channel (i.e., lumen), for insertion in and/or placement adjacent to a patient's body. Such an instrument could be used to place implements in and/or adjacent to a patient by positioning the cannula in the region of interest, and then placing the implement in the region by means of the channel. As used herein, the term implement refers to a
20 surgical tool or device for performing medical procedures. An implement could be a drill, a guide wire, or implants such as screws, nails, etc.

Those skilled in the art should recognize that there are many different types of cannulas and many different ways in which cannulas could be used. For example, a cannula could be rigid, semi-rigid, or flexible and could be
25 configured in any number of different forms, such as a catheter, needle, endoscope, implement inserter, etc.

Utilizing a single cannula means the surgeon typically will position each implement individually. The procedure usually starts by attaching a reference tracking frame to the surgical anatomy. X-ray images are then taken utilizing
30 a fluoroscopic imager which is also tracked by the navigation system. The surgeon then positions the tracked guide for the first implement with the aid of the navigational system display. Once the tool guide is properly positioned, the cannula is used to place the guide wire and subsequent implement into the desired anatomical site. The next implement is then placed relative to the

first, and so on. In order for the surgeon to properly place the subsequent implement relative to the previous, new images are taken with the previous implement in place.

One difficulty of the current practice is in achieving relative accuracy of the implement placement. To achieve the desired relative implement geometry, the surgeon estimates each trajectory individually based upon the prior implements. Thus, the relative accuracy is based on the physician's estimate. Furthermore, each implement may involve generating a new set of images of the patient's anatomy before the subsequent implement can be placed, which can increase the time of the procedure and radiation exposure to both the patient and operating room personnel.

SUMMARY OF THE INVENTION

The present invention is directed generally to image guided medical procedures, and, particularly, medical procedures which utilize surgical implements. More specifically, the present invention is directed to an apparatus and method for the combined positioning of multiple implements, especially those that may be placed in a specific relative geometry.

As embodied and broadly described herein, certain aspects of the invention are directed to a multiple cannula tool guide for use in conjunction with image-guided surgical navigation systems.

In one aspect of the invention, an apparatus for use in image guided surgery is presented. The apparatus comprises: an instrument location system for detecting position, where the instrument location system includes a computer processor; a tool guide comprising a plurality of cannulas; and at least one trackable marker provided on the tool guide for detection by the instrument location system; a memory coupled to the computer processor stores: at least one pre-acquired image of a patient having an image space, and instructions, to be executed by the computer processor, to align the image space to a detector space, to track a three-dimensional position of the tool guide in the detector space, and to compute a projection of the tool guide into the at least one pre-acquired image.

In another aspect of the invention, an apparatus for the placement of surgical implements is presented. The apparatus comprises: a plurality of cannulas coupled to a fixture, where at least one trackable marker associated

with the cannulas; a plurality of surgical implement receivers provided on the fixture for receiving surgical implements; and at least one of the plurality of receivers being substantially coaxially aligned with a respective one of the plurality of cannulas.

5 In another aspect of the invention, an apparatus for the placement of surgical implements, is presented. The apparatus comprises: a plurality of cannulas, where at least one of the plurality of cannulas is adjustable to vary its length; a fixture coupled to the plurality of cannulas, where the fixture can
10 accommodate at least one of the plurality of cannulas being individually adjustable to vary at least one of its angular position; and at least one trackable marker associated with the cannulas.

 In another aspect of the invention, a method for guiding a medical instrument for use in image guided surgery is presented. The method
15 comprises: providing at least one pre-acquired image of a patient, the at least one image having an image space; aligning the image space and a detector space; tracking a three-dimensional position of a tool guide in the detector space, using at least one trackable marker provided on the tool guide, where
20 the tool guide includes a plurality of cannulas; and relating the position of the cannulas with the at least one pre-acquired image.

 Combined positioning of surgical implements may mitigate the amount
20 of estimation a surgeon performs when positioning implements individually. This can result in improved placement efficiency and reduced surgical procedure time. Additional savings in time may also be realized by reducing the number of pre-acquired images generated during a surgical procedure.

25 BRIEF DESCRIPTION OF THE DRAWINGS

 The accompanying drawings, which are incorporated in and constitute a part of this specification, illustrate several embodiments of the invention and together with the description, serve to explain the principles of the invention.

 Fig. 1 is a simplified block diagram of a system for the combined
30 positioning of multiple surgical implements consistent with the present invention.

 Fig. 2 is a simplified side view of an embodiment of a system for the combined positioning of multiple surgical implements consistent with the

present invention.

Fig. 3 is a perspective view of an embodiment of a tool guide consistent with the present invention.

Fig. 4 is a rear view of the embodiment of the tool guide shown in Fig. 5 2.

Fig. 4a is a perspective view of another embodiment of a tool guide consistent with the present invention.

Fig. 4b is another embodiment of the tool guide having the ability to adjust the relative angles between the cannulas.

10 Fig. 5 is a block diagram of a process used to place surgical implements consistent with the present invention.

Fig. 6 is a simplified block diagram of an exemplary computer system used in the surgical navigation system in accordance with one embodiment of the invention.

15 Fig. 7 is an exemplary diagram of a display consistent with an embodiment of the invention showing the trajectory of cannulas superimposed on images of a patient's anatomy.

DETAILED DESCRIPTION

Reference will now be made in detail to the present preferred 20 embodiments of the invention, examples of which are illustrated in the accompanying drawings. Wherever possible, the same reference numbers will be used throughout the drawings to refer to the same or like parts.

With reference to Fig. 1, there is shown schematically an apparatus in accordance with the present invention for the combined positioning of multiple 25 surgical implements. Image-based surgical navigation system 100 enables a surgeon to generate and display on monitor 115 a plurality of positions representing each cannula 127 of tool guide 125. Data representing one or more pre-acquired images 105 is fed to navigation computer 110. The pre-acquired images, generated prior to implement placement, typically are taken 30 from different orientations and represent the region of interest of a patient's body which is to receive the implements. Navigation computer 110 tracks the position of tool guide 125 in real time utilizing a detector. The detector may be an sensor array 120 physically uncoupled from tool guide 125.

Alternatively, the detector could also be at least one trackable marker 121 physically attached to or integrated into tool guide 125. Computer 110 then registers and displays the position of each cannula 127 with images 105 in real time to allow the surgeon to properly position and orient the tool guide
5 into the anatomy for implement placement. The pre-acquired images 105 are superimposed on the icons representing each cannula 127 on monitor 115. While the present invention described in more detail below is exemplified by a fluoroscopic-based system used for femoral neck fracture fixation, it is not limited to the described embodiment.

10 Fig. 2 illustrates apparatus 125 in use with a preferred image-based surgical navigation system 200 according to one embodiment of the present invention. System 200, described below in sufficient detail to allow an understanding and appreciation of the present invention, is explained in greater detail in U.S. Patent Application No. 09/274,972 of David A. Simon et
15 al., entitled "Navigation Guidance via Computer Assisted Fluoroscopic Imaging," filed on March 23, 1999, the entire disclosure of which is hereby incorporated by reference. However, it must be understood that the invention is not confined to use with this particular image guided surgical system.

Further referring to Fig. 2, an image-based surgical navigation system
20 200 for acquiring and displaying x-ray images appropriate for a given surgical implement procedure is shown. Pre-acquired images of patient 202 are collected when a patient, lying on platform 205, is placed within C-arm 212 of imaging device 210. The term "pre-acquired," as used herein, does not imply any specified time sequence. Pre-acquired images could be generated pre-
25 procedurally or intra-procedurally. Preferably, the images are taken before implement positioning is performed.

C-arm 212 may be capable of rotating relative to patient 202, allowing images of the patient to be taken from multiple directions. For example, the surgeon may rotate C-arm 212 about its mechanical axis as shown by arrows
30 228. Usually, images are taken from two substantially orthogonal directions, such as anterior-posterior (A-P) and lateral, of the anatomy which is to receive the surgical implements. One implementation of imaging device 210 is the Model 9600 C-arm fluoroscope from OEC Medical Systems, Inc. of Salt Lake City, Utah.

It is to be understood, however, that the invention is not confined to the use of a C-arm fluoroscopic device. Other embodiments of the invention could include imaging systems which produce 3-D volumetric data. Examples of such 3-D imaging systems include computer tomography, ultrasound, or
5 magnetic resonance imaging. Functional imaging systems such as, for example, functional magnetic resonance imaging, positron emission tomography, single photon emission tomography, or magnetoencephalography, could also be used.

Fluoroscopic images taken by imaging system 210 are transmitted to
10 computer 226 where they may be forwarded to surgical navigation computer 110. Image transfer may be performed over a standard video connection or a digital link. Computer 110 provides the ability to display, via monitor 115, as well as save, digitally manipulate, or print a hard copy of the received images. Images, instead of, or in addition to, being displayed on monitor 115, may also
15 be displayed to the surgeon through a heads-up display or some other type of appropriate display device.

Although computers 226 and 110 are shown as two separate computers, they alternatively could be variously implemented as a single-chassis multi-processor computer or as a single computer that performs the
20 functions performed by individual computers 110 and 226. In the single computer case, such computer would directly receive image data from image device 210 directly and detector 120.

Further referring to Fig. 2, image-based surgical navigation system 100 generally performs the real-time tracking of tool guide 125, and, in the shown
25 embodiment, also tracks the position of C-arm receiver section 216 and anatomical reference frame 260. This embodiment utilizes a detector which includes a sensor array 120 which is suspended by mount 250. Sensor array 120 may be located in such a manner as to provide a clear line of sight to the tracking markers on each tracked object (such as tracking markers 265,
30 described more fully below). Sensor array 120 is coupled to computer 110 which may be programmed with software modules that analyze the signals transmitted by sensor array 120 to determine the position of each object in detector space. The manner in which the sensor array localizes the object is known in the art. See also, for example, PCT Application No.

PCT/US95/12894 (Publication No. WO 96/11624) to Bucholz, the entire disclosure of which is incorporated by reference.

5 The tracking markers for each tracked object may be, for example, reflective markers and/or light emitting diodes (LEDs). Other devices known in the art may be used that are capable of being tracked by a corresponding detector within the scope of the invention. For purposes of illustration, and not by limitation, the tracking means may be acoustic, magnetic, optical, electromagnetic, inertial, and radiological devices known in the art. It should also be understood that different tracking markers for each tracked object can
10 be used.

Not all of the tracking devices listed above are used in conjunction with sensor array 120. For example, a single electromagnetic tracking marker is actually a sensor which may be used to provide at least three degrees of spatial information in detector space. Some electromagnetic sensors can also
15 provide additional attitude information, thus providing up to six degrees of positional information. Such sensors may also have no line of sight constraint which provides the advantage of functioning while embedded within a patient. The manner in which electromagnetic sensors localize an object is well known in the art. See also, for example, PCT Application No. PCT/GB93/01736
20 (Publication No. WO 94/04938) to Bladen, the entire disclosure of which is incorporated by reference.

In the embodiment of Fig. 2, anatomical reference frame 260, which incorporates a plurality of tracking markers 265, is attached to patient 202 during an implement procedure. The reference frame may be securely
25 attached to the anatomy in the region of the body which is to receive the implements. Reference frame 260 may be placed in a position so that the markers are visible to sensor array 120 during the image acquisition process and the implement procedure. By sensing attached tracking markers 265, computer 110 can determine the position of the anatomy in detector space.
30 This information is later used by computer 110 to register pixels found in the images to the position of the patient's anatomy as described in detector space. For purposes of this document, detector space is defined herein as the three-dimensional reference coordinate system associated with the detector.

Further referring to Fig. 2, multiple cannula tool guide 125 may be tracked by surgical navigation system 100 using attached tracking markers 230 in order for its position to be determined in detector space. Computer 110 integrates this information with the pre-acquired images of patient 202 to
5 produce a display which assists surgeon 270 when performing multiple implement procedures. Representations of multiple cannulas 127 are overlaid on the pre-acquired images of patient 202 and displayed on monitor 115. In this manner, surgeon 270 is able to see the location of the cannulas relative to the patient's anatomy, and can position and orient multiple implements into
10 the desired portion of patient's body.

Image-based surgical navigation system 100 utilized in the embodiment of the invention shown in Fig. 2 may be the same as that used in the FluoroNav™ system, which utilizes the StealthStation® Treatment Guidance Platform, both of which are available from Medtronic Sofamor
15 Danek, Inc.

Fig. 3 is a perspective drawing of an embodiment of tool guide 125 which is optimized for the combined positioning of cannulated screws to secure femoral neck fractures. A plurality of tracking markers 230 are positioned at points on the upper surface of frame 300. Frame 300 firmly
20 attaches to a body 305 of tool guide 125 by sliding onto a dovetail formed on the top of mounting post 380. Frame 300 may be interchanged with other frames which utilize different sizes or shapes, or tracking markers of a different type. In the embodiment shown in Fig. 3, tracking markers 230 may be infrared LEDs and/or reflective markers such as those supplied by
25 Northern Digital Inc.

For the embodiment shown in Fig. 3, tool guide 125 includes three substantially parallel cannulas 310a, 310b, 310c. Cannula 310a has a fixed length and the other cannulas 310b, 310c have lengths which are variable. However, in general, the invention could comprise a tool guide where all the
30 cannulas, or any subset thereof, may have variable lengths. The variable length cannulas can be independently adjusted by the use of threaded means 330, which screw into interchangeable fixture 350 and are locked in place using a set screw or jam nut (not shown). Variable length cannulas allow tool guide 125 to adapt to the varying surface shapes associated with different

bone structures. The surgeon, using information from the pre-acquired images, can make the proper length adjustment to each adjustable cannula during the pre-operative planning stage of the medical procedure. The cannulas may possess teeth 360a, 360b, 360c at their distal end in order to
5 effectively grip the patient's bone.

Furthermore, tool guide 125 may have cannulas which have inner and outer diameters that are also variable. These diameters may be altered by simply interchanging a given cannula with another having differing diameters, or alternatively, using cylindrical adapters to modify the diameters of an
10 existing cannula. For example, the inner diameter of the lumen may be reduced by inserting a reduction sleeve which extends the length of the cannula. Various reductions in lumen diameter can be achieved through the insertion of one or more reduction sleeves. Alternatively, the outer diameter of a cannula may be increased in a similar manner by sliding one or more
15 expansion sleeves over the outside of the cannula. Other embodiments of tool guides can be provided by changing fixture 350. For example, one such interchangeable fixture 350 could have cannulas with non-parallel, fixed angular offsets. In the embodiment of Fig. 3, cannulas 310b and 310c can be removed by unscrewing them from fixture 350. The fixture may then be slid
20 off cannula 310a and replaced with another having different characteristics. For example, the number of cannulas can be varied by utilizing fixtures which have a different number of attachment points. Additionally, the relative geometry, or spread, between the cannulas can be varied by utilizing fixtures which have attachment points in different relative locations. Finally, the
25 relative angulations among the cannulas may be altered from a parallel configuration by employing a fixture having attachment points with fixed angular offsets.

Many different types of cannulas could be used with the invention in its broadest aspects. In the embodiment shown in Fig. 3, the cannulas 360a,
30 360b, 360c are preferably substantially rigid tubular members each having a lumen extending therethrough that is configured to allow for passage of surgical implements, such as drills or other tools, and/or devices, such as cannulated screws, nails, etc.

The surgeon typically holds and manipulates tool guide 125 by grasping handle 340 shown in Fig. 3. Alternatively, the invention could also be physically manipulated by a machine, such as, for example, a robotic arm. Machine manipulation could be facilitated through a coupling on body 305
5 which could allow tool guide 125 to be removably attached to a mechanized placement system. This arrangement could facilitate highly accurate placement of surgical implements, without usage of handle 340.

Fig. 4 is a rear-view perspective drawing of the embodiment of tool guide 125 shown in Fig. 3. Situated towards the proximal end of the each
10 cannula is a flange 370, attached to body 305. At the flange center is a countersunk hole 375 which leads to the lumen of the cannula. Flange 370 and hole 375 is a surgical implement receiver which assists the surgeon in the placement of implements down the cannulas once tool guide 125 is properly positioned in the patient's body. For a procedure, for example, to secure a
15 femoral neck fracture, a drill with an attached guide wire is sequentially placed down each cannula after tool guide 125 has been appropriately positioned relative to the patient's body. The surgeon drills into the bone in order to anchor the guide wire. A cannulated screw is then placed over each guide wire and the screw is tapped into the bone at the fracture site. Once the
20 screws are in place and secured, the guide wires are removed along with tool guide 125.

Fig. 4a shows an embodiment of a tool guide having electromagnetic sensors attached to cannulas 310a, 310b, and 310c. Electromagnetic sensors may be placed at the approximate mid-point of each cannula, as
25 shown by 315a, 315b, and 315c, and/or they may be placed towards the tips of each cannula as shown by 317a, 317b, and 317c. Electromagnetic sensor groups 315a-c and 317a-c may be used separately or in conjunction with each other. Utilizing both groups can allow for the extraction of trajectory information of each cannula. Typically, each cannula would be equipped with
30 separate electromagnetic sensors, however; some embodiments may have just one, or any subset of the total number of cannulas, equipped with electromagnetic sensors.

Fig. 4b exemplifies another embodiment of a tool guide having cannulas with adjustable relative angles. Cannulas 401 and 402 are set in

fixture 405 such that the base of each cannula can pivot within the fixture.

The angle of each cannula can be varied independently in the azimuth, θ , 412 and elevation, ϕ , 414 directions relative to fixture 405. After the angles for each cannula have been adjusted as desired, mechanism 410 can lock each

5 cannula in place. Mechanism 410 can be a friction or compression lock, or any other type of locking mechanism known in the art. The orientation of cannulas 401, 402 shown as mutually parallel in Fig 4b is only for purposes of explanation, and not limitation. Other embodiments which allow the cannulas to have a varying angular position which are known in the art could be used.

10 It should also be understood that the tool guide shown in Fig 4b could have any number of cannulas, and in addition to each angle being variable, each cannula could be individually adjusted in length.

Fig. 5 is a flowchart illustrating methods for multiple implement positioning using image-based surgical navigation techniques. The surgeon

15 may begin by acquiring one or more images of a patient. In one embodiment, these may be acquired with fluoroscopic x-ray imager 210, as shown in system of Fig. 2. Alternatively, such images may be acquired with an imaging device with provides 3-D volumetric data (step 510)..

Computer 110 then retrieves a pre-acquired image and correlates the

20 spatial coordinates defined by the images, known as image space, with the spatial coordinates defined by the detector, known as detector space. As shown in the embodiment of Fig. 2, computer 110 may retrieve a pre-acquired image from C-arm control computer 226. Computer 110 then determines location information of receiver section 216, and anatomical reference frame

25 markers 265, using sensor array 120. Computer 110 then correlates the images to anatomical reference marker 260, by determining and applying a geometric transform well known to those skilled in the art. Computer 110 then stores the image along with its positional information (step 520). The processes described in step 520 are repeated for each image to be acquired.

30 The implement placement procedure starts once a detector and computer 110 detect and track the position of tool guide 125 relative to patient 202 in detector space. With this information, computer 110 dynamically calculates, in real time, the projections of cannulas 127 into each image as

tool guide 125 is moved by surgeon 270. Typically, the surgeon places the cannulas into the patient percutaneously into the region of interest to position the implements (step 530). However, the invention can be used with other surgical techniques.

5 Graphical representations of cannulas are superimposed on pre-acquired images and displayed on monitor 115. The cannulas can be displayed, simultaneously if desired, and in real time relative to the patient's anatomy (step 540). The surgeon, utilizing the display, can then manipulate tool guide 125 and position cannulas 127 in the region of interest. Using real-
10 time display 115, the physician gets feedback on how the cannulas are oriented relative to the anatomy and then determines the optimal orientation (step 550). Once this is determined, the surgeon will then sequentially place the implements into the patient. If, for example, the procedure involves the fixation of a femoral neck fracture as previously described, the surgeon first
15 places a drill with an attached guide wire down the cannula to drill into the bone at the fracture site and then anchor the guide wire into the bone. The surgeon then places a cannulated screw over the guide wire and down into the cannula. The screw taps into the bone at the fracture site and pulls the separate pieces of bone together. This process is repeated for each
20 cannulated screw while the surgeon steadily holds tool guide 125 in place. Alternatively, the surgeon may place the guide wires using the cannulas and then remove the guide from patient's body. The surgeon would then position the screws by placing them over each guide wire, leading them to the bone into the fracture site (step 560).

25 Referring to Fig. 6, components and modules of a computer system 110 used to perform various processes of the present invention are described. Although a STEALTH STATION® image guided system manufactured by Medtronic Sofamor Danek has been identified, it will be appreciated that the present invention may be utilized with other types of computer systems. One
30 aspect of the computer system 110 includes a graphical user interface system operating in conjunction with a display screen of a display monitor 115. The graphical user interface system is preferably implemented in conjunction with operating system 615 running computer 110 for displaying and managing the display objects of the system. The graphical user interface is implemented as

part of the computer system 110 to receive input data and commands from a conventional keyboard 620 and mouse 625. For simplicity of the drawings and explanation, many components of a conventional computer system have not been illustrated such as address buffers, memory buffers, and other standard control circuits because these elements are well known in the art and a detailed description thereof is not necessary for understanding the present invention. A computer program used to implement the various steps of the present invention is generally located in memory unit 600, and the processes of the present invention are carried out through the use of a central processing unit (CPU) 605. Those skilled in the art will appreciate that the memory unit 600 is representative of both read-only memory and random access memory. The memory unit also includes a database 650 that stores data, for example, image data and tables, including such information as position data and geometric transform parameters, used in conjunction with the present invention. CPU 605, in combination with the computer software comprising operating system 615, detection software module 630, tracking software module 635, calibration software module 640, and display software module 645, controls the operations and processes of computer system 110. The processes implemented by CPU 605 may be communicated as electrical signals along bus 660 to an I/O interface 670 and a video interface 675.

Detection software module 630 utilizes signals from the detector and performs the processes associated with creating a coordinate reference system and detecting positions of reference images for use in connection with the present invention and are known to those skilled in the art. Tracking software module 635 performs the processes necessary for tracking objects in an image guided system as described herein and are known to those skilled in the art. Correlation software module 640 computes the geometric transform which registers the images to the detector space, and thus the patient's anatomy.

Display software module 645 applies, and if necessary, computes the offsets between tool guide tracking markers 230 and the cannulas in order to generate an icon representing each cannula for superposition over the images. For tool guides with fixed cannulas, these offsets can be measured once and stored in database 650. The user would then select from a list of

tool guides which one was being used in the procedure so the proper offsets are applied by display software module 645. For tool guides with variable lengths and angulations, the offsets could be measured manually and entered via keyboard 620, or measured using the navigation system 100 in
5 conjunction a tracked pointer or tracked registration jig (not shown). If a tracked pointer is used, the user will touch the tip and tail of each cannula while the tool guide is being tracked. The offsets are computed by display software module 645 and stored for later use. Similarly, if a tracked registration jig is used, the tool guide is placed within the jig while it is being
10 tracked. The jig will measure the positions of the cannulas and display software module 645 will again compute the offsets and store them for later use in database 650.

Pre-acquired image data 105 can be fed directly into computer 110 digitally through I/O interface 670, or may be supplied as video data through
15 video interface 675. In addition, items shown as stored in memory can also be stored, at least partially, on hard disk 680 if memory resources are limited. Furthermore, while not explicitly shown, image data may also be supplied over a network, through a mass storage device such as a hard drive, optical disks, tape drives, or any other type of data transfer and storage devices
20 which are known in the art.

Fig. 7 shows an exemplary diagram of display 700 illustrating an iconic graphical overlay of the cannulas for the preferred embodiment. Display 700 is presented to the surgeon on monitor 115 of computer system 110. The left side of Fig. 7 shows a fluoroscopic image of an anterior-posterior view of a hip and femoral neck bone 710. Graphical overlays 715 are the iconic
25 superposition of all the cannulas 127 attached to tool guide 125 within image 710. Graphical overlays 715 are directional indicators, displaying the position and orientation of each cannula. In the embodiment shown in Fig. 7, these directional indicators are shown as lines, but other symbols may be used. As
30 the surgeon moves tool guide 125, computer 110 recalculates and displays the new locations of the graphical overlays 715. The surgeon can use image 710 and overlays 715 to visualize, in real-time, the position and orientation of the cannulas relative to the patient's anatomy.

For the embodiment shown in Fig. 2, the surgeon would like to acquire two substantially orthogonal fluoroscopic images of patient 202, such as images from an anterior-posterior view and a lateral view of the anatomy of interest. These two complementary views help the surgeon to better visualize how the
5 cannulas are situated in the patient's anatomy. The orthogonal views are related to one another by a 90 degree rotation about the major axis of the patient (the axis running along the length of the patients body). The fluoroscopic image taken from the lateral view 720 is shown on the right side of Fig. 7, along with graphical overlays 717 showing the locations of the
10 cannulas 127.

In certain situations, the surgeon may wish to know where the tip of the cannulas would be if cannulas were projected along a line give by a tool guide's current trajectory. At the surgeon's command, computer 110 may calculate and display this projection based upon the current orientation and
15 position of the cannulas. This orientation and position are determined by tracking the tip and the tail of each cannula. The estimated position of the tip can be calculated by computer 110 through projecting a fixed distance beyond the cannulas' tips in the direction of the line formed by each cannula's tip and tail. The estimated position, or "look-ahead" trajectory, would be represented
20 by a graphical overlay. As shown in Fig. 7, exemplary "look-ahead" trajectories 725 and 727 are shown in a different line styles from overlay 715 and 717, respectively. This difference could also be a change in color, type, or texture between the look-ahead trajectory 725, 727 and the current position 715, 717. Computer 110 may vary the length of the look-ahead trajectory
25 725, 727 as directed by the surgeon through the graphical user interface control 730 and computer keyboard 620 or mouse 625. In this manner, computer 110 assists the surgeon in visualizing where the cannulas would be in the patient if they were advanced a predetermined distance into the body of the patient.

30 Although the look-ahead technique described above projected the graphical representation of the cannulas into the image, there is no requirement that the cannulas' graphical representation be in the space of the image for look ahead trajectory 725, 727 to be projected into the image. In other words, for example, the surgeon may be holding tool guide 125 above

the patient and outside the space of the image, so that the representation of the cannulas does not appear in the images. However, it may still be desirable to project ahead portion 725, 727 into the image to facilitate planning of the implement procedure.

5 The look-ahead technique could be extended to include virtual implants. Graphical overlays representing implant structures such as prosthetic devices, plates, and fasteners such as screws, nails, etc., could be shown on display 115 during and after their placement into the patient's body. These graphical overlays would provide additional information regarding the
10 implants without involving the generation of new images.

 When cannulas 127 are perpendicular to the plane of the fluoroscopic image, the graphical overlay of the cannulas may virtually collapse to a point, potentially making it difficult to view them. To alleviate this, computer 110 may optionally use a different graphical representation of cannulas 172 when
15 the distance in the image plane between the tip and tail of the cannulas 127 becomes smaller than some fixed distance.

 The foregoing description is presented for purposes of illustration and explanation. It is not intended to be exhaustive or to limit the invention to the precise form disclosed, and modifications or variations are possible in light of
20 the above teachings or may be acquired from practice of the invention. The principles of the invention and its practical application enable one skilled in the art to utilize the invention in various embodiments and with various modifications as are suited to the particular use contemplated.

 For example, pre-acquired images obtained from modalities different
25 than the C-arm fluoroscope x-ray imager may be used with the invention. Such modalities could supply 3-D volumetric data and may also include functional information. Such modalities may include, by way of example only, computer tomography, ultrasound, or magnetic resonance imaging. Imaging modalities which may provide functional information include functional
30 magnetic resonance imaging, positron emission tomography, single photon emission tomography, magnetoencephalography, or any other modality known to those skilled in the art.

 Furthermore, the invention is not limited to the fixture of femoral neck fractures, but can be used for many different types of procedures such as the

distal locking of intramedullary nails, in placing implements such as interbody fusion devices into the spine, anterior cervical plating systems, etc., or any other application where two or more implements are to be placed, especially multiple implements having fixed relative positions and angulations.

WHAT IS CLAIMED:

1. An apparatus for use in image guided surgery, comprising:
an instrument location system for detecting position, the instrument location system including a computer processor;
a tool guide comprising:
a plurality of cannulas, and
at least one trackable marker provided on the tool guide for detection by the instrument location system; and
a memory coupled to the computer processor, storing:
at least one pre-acquired image of a patient, the at least one pre-acquired image having an image space, and
instructions, to be executed by the computer processor, to align the image space to a detector space, to track a three-dimensional position of the tool guide in the detector space, and to compute a projection of the tool guide into the at least one pre-acquired image.
2. The apparatus of claim 1, further comprising: a frame associated with the plurality of cannulas, wherein the at least one trackable marker is provided on the frame for detection by the instrument location system.
3. The apparatus of claim 1, wherein the at least one trackable marker is associated with the plurality of cannulas.
4. The apparatus of claim 1, further comprising:
a display operably connected to the computer processor; and
additional instructions stored in the memory, to be executed by the computer processor, to display the at least one pre-acquired image, and to superimpose a first set of symbols on the at least one pre-acquired image, the first set of symbols representing current positions of the plurality of cannulas with respect to the patient.
5. The apparatus of claim 2, further comprising:
a central structure coupled to the plurality of cannulas and to the frame;
and
a handle coupled to the central structure, wherein the handle is used for manually manipulating the tool guide.

6. The apparatus of claim 3, further comprising: a handle coupled to the tool guide, wherein the handle is used for manually manipulating the tool guide.

7. The apparatus of claim 1, wherein the tool guide is coupled to machine operated means for manipulating the tool guide.

8. The apparatus of claim 1, wherein at least one of the plurality of cannulas is individually adjustable in at least one of length and angular position.

9. The apparatus of claim 1, wherein at least one of the plurality of cannulas is individually adjustable in at least one of inner diameter and outer diameter.

10. The apparatus of claim 5, wherein the central structure is removably coupled to the frame.

11. The apparatus of claim 1, further comprising:
an interchangeable fixture coupled to the plurality of cannulas, wherein the interchangeable fixture is used for accommodating at least one of: a variable number of cannulas, cannulas having a plurality of relative placements, and cannulas having a plurality of fixed relative angles.

12. The apparatus of claim 4, wherein the first set of symbols are a plurality of directional indicators, each of the indicators illustrating one of the plurality of cannulas.

13. The apparatus of claim 4, further comprising:
additional instructions stored in the memory, to be executed by the computer processor, to compute a predicted path of the plurality of cannulas based on their current location and orientation, and to superimpose a second set of symbols on the at least one pre-acquired image, the second set of symbols representing predicted positions of the plurality of cannulas with respect to the patient.

14. The apparatus of claim 4, further comprising: additional instructions stored in the memory, to be executed by the computer processor, to superimpose a third set of symbols representing at least one surgical implement.

15. The apparatus of claim 13, wherein the second set of symbols are a plurality of directional indicators having at least one of a color, style,

shape, size and texture differing from that of the first set of symbols for differentiating the predicted positions from the current positions.

16. The apparatus of claim 1, further comprising:

a reference frame attachable to the patient, the reference frame having at least one trackable marker for detection by the instrument location system.

17. The apparatus of claim 1, wherein the at least one pre-acquired image is generated using a C-arm fluoroscope.

18. The apparatus of claim 1, wherein the at least one pre-acquired image is generated using an imager which produces three-dimensional volumetric data, the imager including one of a computer aided tomography system, a magnetic resonance imaging system, a positron emission tomography system, and an ultrasound imaging system.

19. The apparatus of claim 1, further comprising: a functional imaging system including one of a functional magnetic resonance imaging system, a positron emission tomography system, a single photon emission tomography system, and a magnetoencephalography system.

20. The apparatus of claim 4, wherein the at least one pre-acquired image includes a plurality of images taken from different orientations and displayed on the display.

21. The apparatus of claim 20, wherein the different orientations are generally orthogonal.

22. An apparatus for the placement of surgical implements, comprising:

a plurality of cannulas coupled to a fixture;

at least one trackable marker associated with the plurality of cannulas;

and

a plurality of surgical implement receivers provided on the fixture for receiving surgical implements, at least one of the plurality of receivers being substantially coaxially aligned with a respective one of the plurality of cannulas.

23. The apparatus of claim 22, further comprising:

at least one trackable marker provided on a frame, the frame being associated with the plurality of cannulas, wherein the at least one marker being arranged for detection by an instrument location system.

24. The apparatus of claim 22, further comprising: a peripheral structure, coupled to the fixture, for maneuvering the cannulas during a surgical procedure to place the surgical implements.
25. The apparatus of claim 22, wherein at least one of the surgical receivers is a flange configured to receive the surgical implements.
26. The apparatus of claim 22, wherein at least one of the plurality of cannulas is individually adjustable to vary its length.
27. The apparatus of claim 22, wherein at least one of the plurality of cannulas is individually adjustable to vary at least one of its angular positions.
28. The apparatus of claim 27, wherein the at least one angular position is an azimuth angular position measured in a horizontal reference plane associated with the fixture.
29. The apparatus of claim 27, wherein the at least one angular position is an elevation angular position measured in a vertical reference plane associated with the fixture.
30. The apparatus of claim 22, wherein the fixture is interchangeable and is configured to accommodate at least one of: a variable number of cannulas, cannulas having a plurality of relative placements, and cannulas having a plurality of fixed relative angles.
31. The apparatus of claim 24, wherein the peripheral structure is a handle.
32. The apparatus of claim 24, wherein the peripheral structure is machine operated means.
33. The apparatus of claim 23, further comprising:
a plurality of interchangeable frames, at least two of the frames having a different type of trackable marker.
34. The apparatus of claim 22, wherein the surgical implement is at least one of a surgical tool and an implant.
35. The apparatus of claim 22, wherein at least one of the plurality of cannulas can be interchanged with a cannula having at least one of a different inner diameter and outer diameter.

36. The apparatus of claim 22, wherein at least one of the plurality of cannulas is individually adjustable to vary at least one of its inner diameter and outer diameter.

37. The apparatus of claim 22, wherein at least one of the plurality of cannulas includes a serrated structure for gripping portions of a patient's anatomy.

38. An apparatus for the placement of surgical implements, comprising:

a plurality of cannulas, wherein at least one of the plurality of cannulas is adjustable to vary its length;

a fixture coupled to the plurality of cannulas, wherein the fixture can accommodate at least one of the plurality of cannulas being individually adjustable to vary at least one of its angular position; and

at least one trackable marker associated with the cannulas.

39. The apparatus of claim 38, further comprising:

at least one trackable marker provided on a frame associated with the cannulas, the markers being arranged for detection by an instrument location system.

40. The apparatus of claim 38, further comprising: a peripheral structure, coupled to the fixture, for maneuvering the cannulas during a surgical procedure to place the surgical implements.

41. The apparatus of claim 38, wherein the at least one angular position is an azimuth angular position measured in a horizontal reference plane associated with the fixture.

42. The apparatus of claim 38, wherein the at least one angular position is an elevation angular position measured in a vertical reference plane associated with the fixture.

43. The apparatus of claim 38, wherein the fixture is interchangeable and is configured to accommodate at least one of: a variable number of cannulas, cannulas having a plurality of relative placements, and cannulas having a plurality of fixed relative angles.

44. The apparatus of claim 40, wherein the peripheral structure is a handle.

45. The apparatus of claim 40, wherein the peripheral structure is machine operated means.

46. The apparatus of claim 39, further comprising:
a plurality of interchangeable frames, at least two of the frames having a different type of trackable marker.

47. The apparatus of claim 38, wherein the surgical implement is at least one of a surgical tool and an implant.

48. The apparatus of claim 38, wherein at least one of the cannulas includes a serrated structure for gripping portions of a patient's anatomy.

49. The apparatus of claim 39, wherein at least one of the plurality of cannulas is individually adjustable to vary at least one of its inner diameter and outer diameter.

50. A method for guiding a medical instrument for use in image guided surgery, comprising:

providing at least one pre-acquired image of a patient, the at least one pre-acquired image having an image space;

aligning the image space and a detector space;

tracking a three-dimensional position of a tool guide in the detector space, using at least one trackable marker provided on the tool guide, wherein the tool guide includes a plurality of cannulas; and

relating positions of the plurality of cannulas with the at least one pre-acquired image.

51. The method of claim 50, further comprising:

computing a projection of at least one of the plurality of cannulas into the at least one pre-acquired image;

displaying the at least one pre-acquired image on a display; and

superimposing a representation of the projection on the at least one displayed pre-acquired image.

52. The method of claim 51, wherein the representation includes a first set of directional indicators which represent current positions of the plurality of cannulas with respect to the patient.

53. The method of claim 51, wherein at least two different pre-acquired images taken from different orientations are displayed on the display.

54. The method of claim 53, wherein the orientations are substantially mutually perpendicular.

55. The method of claim 52, further comprising:
computing a predicted path for the plurality of cannulas based on their current location and orientation; and
superimposing a second set of directional indicators on the at least one pre-acquired image, the second set of directional indicators representing predicted positions of the plurality of cannulas with respect to the patient.

56. The method of claim 55, wherein the second set of directional indicators have at least one of a color, style, shape, size, and texture differing from that of the first set of directional indicators for differentiating the predicted positions from the current positions.

57. The method of claim 50, further comprising:
generating the at least one pre-acquired image using a C-arm fluoroscope.

58. The method of claim 50 further comprising:
generating the at least one pre-acquired image using a three-dimensional volumetric imager, wherein the volumetric imager includes one of a computer aided tomography system, a magnetic resonance imaging system, a positron emission tomography system, and an ultrasound imaging system.

59. The method of claim 50, further comprising:
generating the at least one pre-acquired image using a functional imaging system, wherein the functional imaging system includes one of a functional magnetic resonance imaging system, a positron emission tomography system, single photon emission tomography system, and a magnetoencephalography system.

60. The method of claim 50, wherein at least one of the plurality of cannulas is independently adjustable in at least one of length and angular position.

61. A system for use in image guided surgery, comprising:
means for providing at least one pre-acquired image of a patient, the at least one pre-acquired image having an image space;
means for aligning the image space and a detector space;

means for tracking a three-dimensional position of a tool guide in the detector space, using at least one trackable marker provided on the tool guide, wherein the tool guide includes a plurality of cannulas; and

means for relating positions of the plurality of cannulas with the at least one pre-acquired image.

62. The system of claim 61, further comprising:

means for computing a projection of at least one of the plurality of cannulas into the at least one pre-acquired image;

display means for displaying the at least one pre-acquired image; and

means for superimposing a representation of the projection on the at least one displayed pre-acquired image.

63. The system of claim 62, wherein the representation includes a first set of directional indicators which represent current positions of the plurality of cannulas with respect to the patient.

64. The system of claim 62, wherein at least two different pre-acquired images taken from different orientations are displayed on the display.

65. The system of claim 64, wherein the orientations are substantially mutually perpendicular.

66. The system of claim 63, further comprising:

means for computing a predicted path of the plurality of cannulas based on their current location and orientation; and

means for superimposing a second set of directional indicators on the at least one pre-acquired image, the second set of directional indicators representing predicted positions of the plurality of cannulas with respect to the patient.

67. The system of claim 66, wherein the second set of directional indicators have at least one of a color, style, shape, size, and texture differing from that of the first set of directional indicators for differentiating the predicted positions from the current positions.

68. The system of claim 61, further comprising:

C-arm fluoroscope means for generating the pre-acquired images.

69. The system of claim 61 further comprising:

means for generating the at least one pre-acquired image using three-dimensional volumetric imaging means, wherein the three-dimensional volumetric imaging means includes one of computer aided tomography means, magnetic resonance imaging means, positron emission tomography means, and ultrasound imaging means.

70. The system of claim 61, further comprising:

means for generating the at least one pre-acquired image using functional imaging means, wherein the functional imaging means includes one of functional magnetic resonance imaging means, positron emission tomography means, single photon emission tomography means, and magnetoencephalography means.

71. The system of claim 61, further comprising:

means for independently adjusting the length of at least one of the plurality of cannulas.

72. The system of claim 61, further comprising:

means for independently adjusting at least one angular position of at least one of the plurality of cannulas.

73. An apparatus for use in image guided surgery, comprising:

an instrument location system for detecting position, the instrument location system including a computer processor;

a reference frame attachable to a patient, the reference frame having at least one reference frame trackable marker for detection by the instrument location system;

a tool guide comprising:

a plurality of cannulas coupled to a fixture, wherein at least one of the plurality of cannulas is individually adjustable in at least one of length, angular position, inner diameter, and outer diameter;

at least one trackable marker provided on the tool guide associated with the cannulas;

a plurality of surgical implement receivers provided on the fixture, for receiving surgical implements, at least one of the plurality of receivers being substantially coaxially aligned with a respective one of the plurality of cannulas, and

a handle for manipulating the tool guide;

a display operably connected to the computer processor; and
a memory coupled to the computer processor, storing:

at least one pre-acquired image of a patient, the at least one pre-acquired image having an associated image space, and

instructions that, when executed by the computer processor, align the image space to a detector space, track a three-dimensional position of the tool guide in the detector space, compute a projection of at least one of the plurality of cannulas into the at least one pre-acquired image, display the at least one of pre-acquired image, superimpose a first set of directional indicators on the at least one pre-acquired image, wherein the directional indicators represent current positions of the cannulas with respect to the patient, compute a predicted path of each of the plurality of cannulas based on their current location and orientation, and superimpose a second set of directional indicators on the at least one pre-acquired image, the second set of directional indicators representing predicted positions of the cannulas with respect to the patient, the second set of directional indicators having at least one of a color, style, shape, size, and texture differing from that of the first set of directional indicators for differentiating the predicted positions from the current positions.

74. The apparatus of claim 73, further comprising: a frame associated with the plurality of cannulas, wherein the at least one trackable marker is provided on the frame for detection by the instrument location system.

75. The apparatus of claim 73, further comprising the at least one trackable marker associated with the plurality of cannulas.

76. The apparatus in claim 73, wherein the at least one pre-acquired image is generated using a C-arm fluoroscope.

77. The apparatus of claim 73, wherein the at least one pre-acquired image is generated using an imager which produces three-dimensional volumetric data, the imager including one of a computer aided tomography system, a magnetic resonance imaging system, a positron emission tomography system, and an ultrasound imaging system.

78. The apparatus of claim 73, further comprising: a functional imaging system including one of a functional magnetic resonance imaging

system, a positron emission tomography system, single photon emission tomography system, and a magnetoencephalography system.

79. The apparatus of claim 73, wherein the fixture can accommodate at least one of: a variable number of cannulas, cannulas having a plurality of a relative placements, and cannulas having a plurality of fixed relative angles.

80. A method for placing implements into a patient during an image guided medical procedure, comprising:

- providing at least one pre-acquired image of a patient, the at least one pre-acquired image having an image space;

- aligning the image space and a detector space;

- tracking a three-dimensional position of a tool guide in the detector space, using at least one trackable marker provided on the tool guide, wherein the tool guide includes a plurality of cannulas;

- computing a projection of at least one of the plurality of cannulas into the at least one pre-acquired image;

- computing a predicted path of each of the plurality of cannulas based on their current location and orientation;

- displaying the at least one pre-acquired image on a display;

- superimposing on the at least one pre-acquired image a first set of directional indicators representing current positions of the plurality of cannulas with respect to the patient;

- superimposing on the at least one pre-acquired image a second set of directional indicators, the second set of directional indicators representing predicted positions of the cannulas with respect to the patient;

- superimposing on the at least one pre-acquired image a third set of indicators, the third set of indicators representing implant structures, including at least one of a prosthetic device, plates, and fasteners;

- placing the plurality of cannulas at a location in a patient's body;

- orienting the plurality of cannulas; and

- utilizing the plurality of cannulas to place implements in the patient at the location.

81. The method of claim 80, wherein the second set of directional indicators have at least one of a color, style, shape, size and texture differing

from that of the first set of directional indicators for differentiating the predicted positions from the current positions.

82. The method of claim 80, wherein the at least one pre-acquired image is generated using a C-arm fluoroscope.

83. The method of claim 80 further comprising:

generating the at least one pre-acquired image using a three-dimensional volumetric imager, wherein the volumetric imager includes one of a computer aided tomography system, a magnetic resonance imaging system, a positron emission tomography system, and an ultrasound imaging system.

84. The method of claim 80, further comprising:

generating the at least one pre-acquired image using a functional imaging system including one of a functional magnetic resonance imaging system, a positron emission tomography system, single photon emission tomography system, and a magnetoencephalography system.

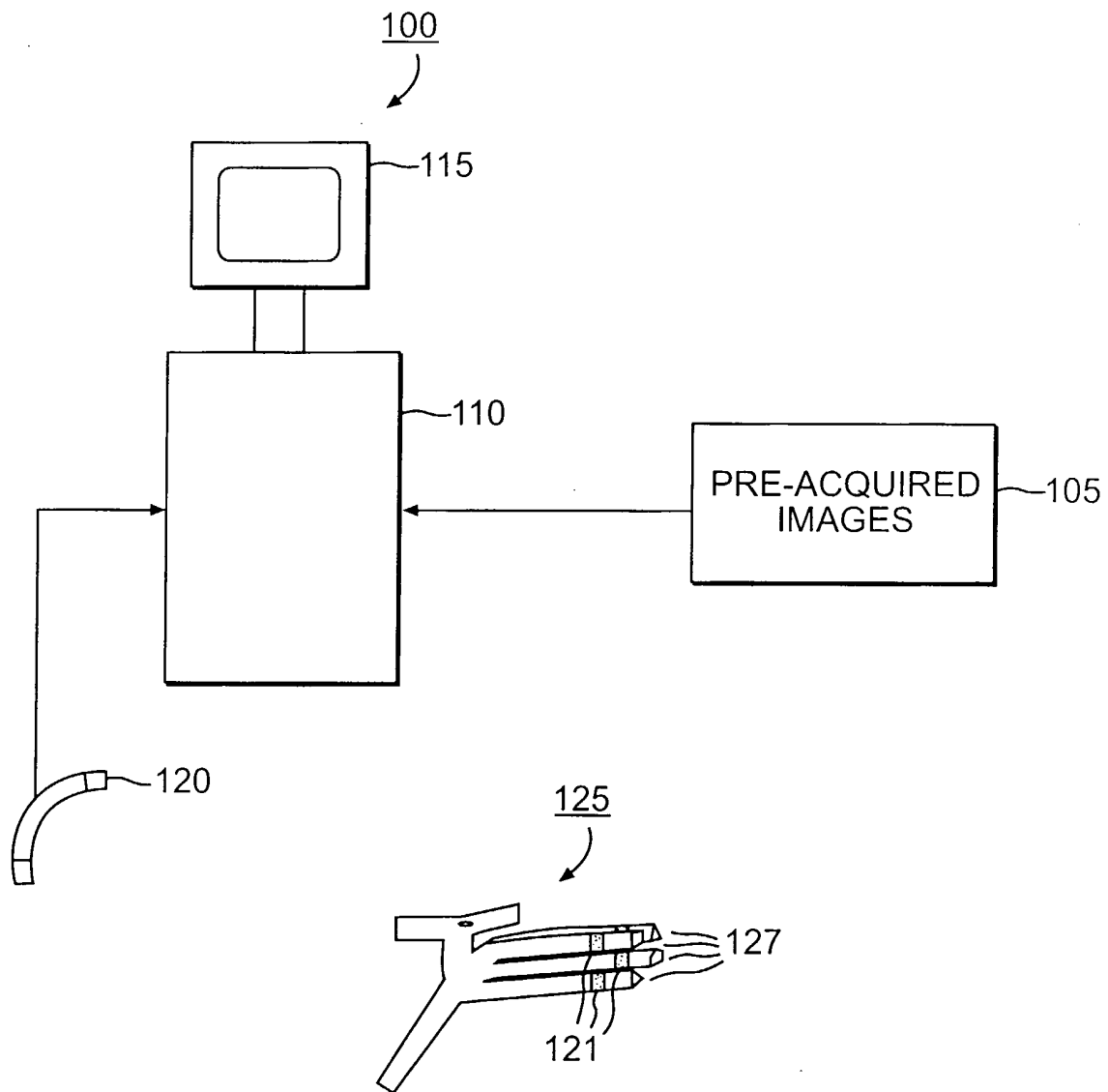


FIG. 1

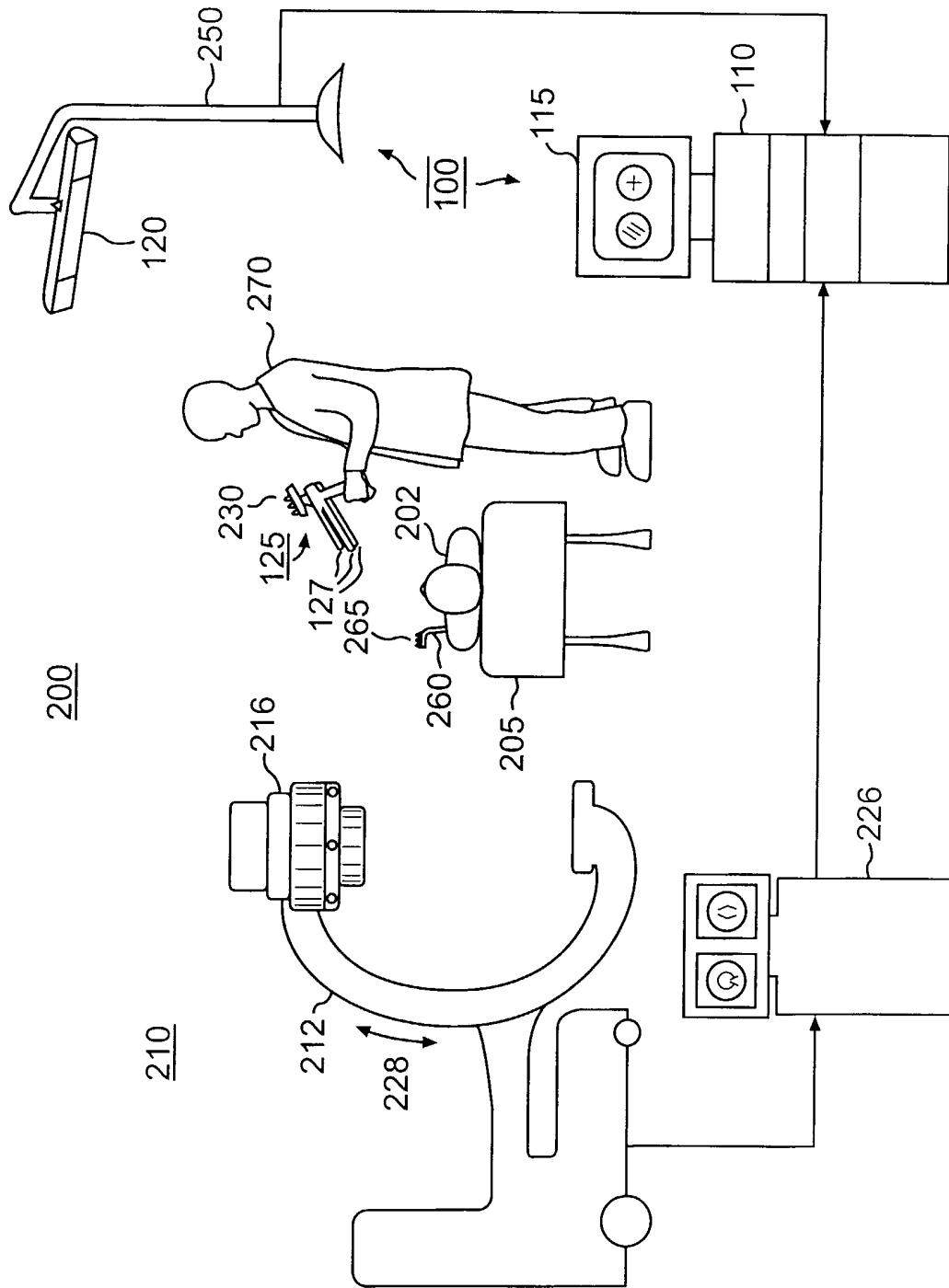


FIG. 2

125

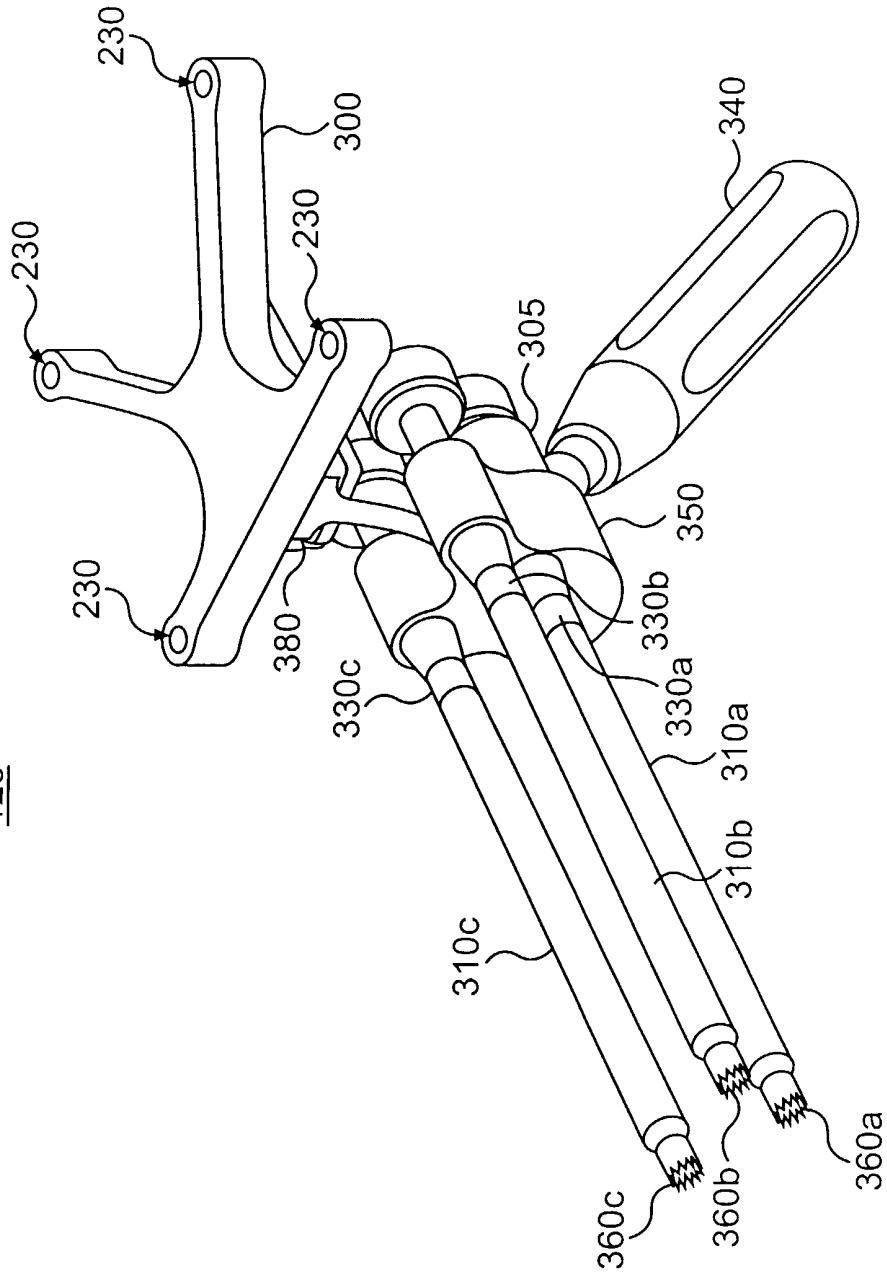


FIG. 3

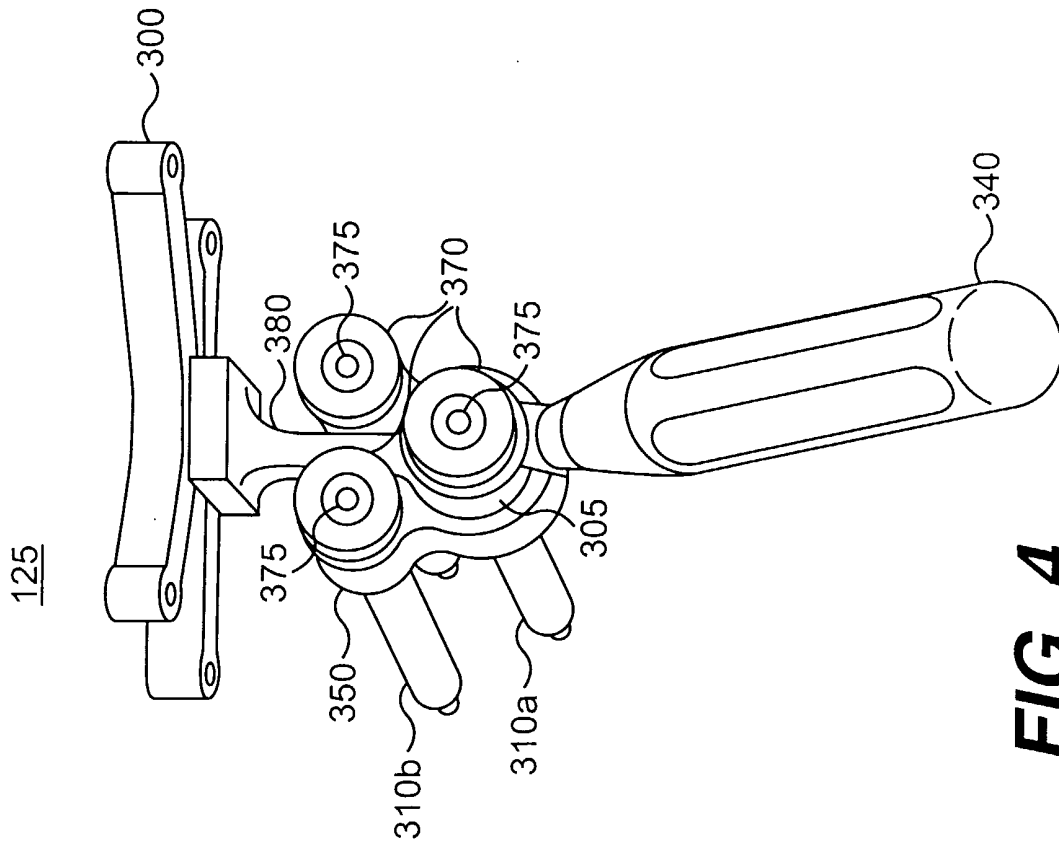


FIG. 4

125

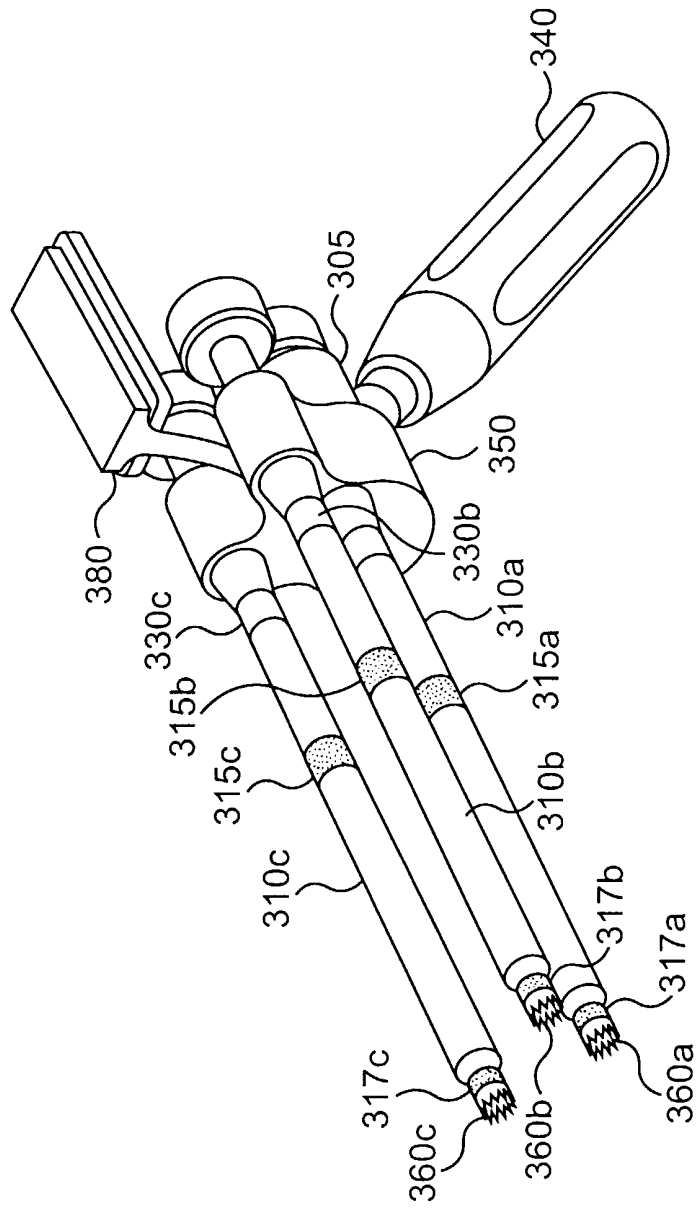


FIG. 4a

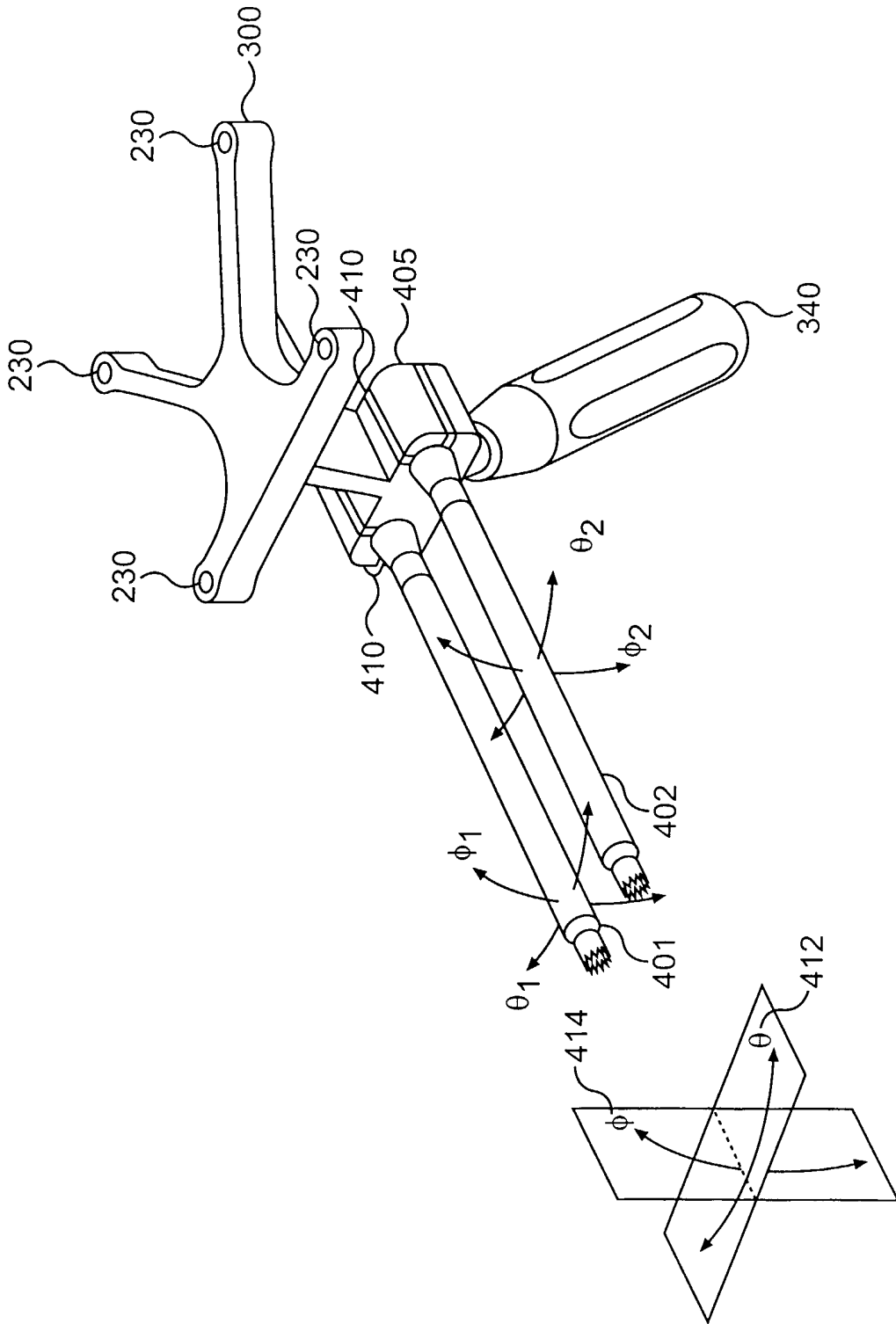
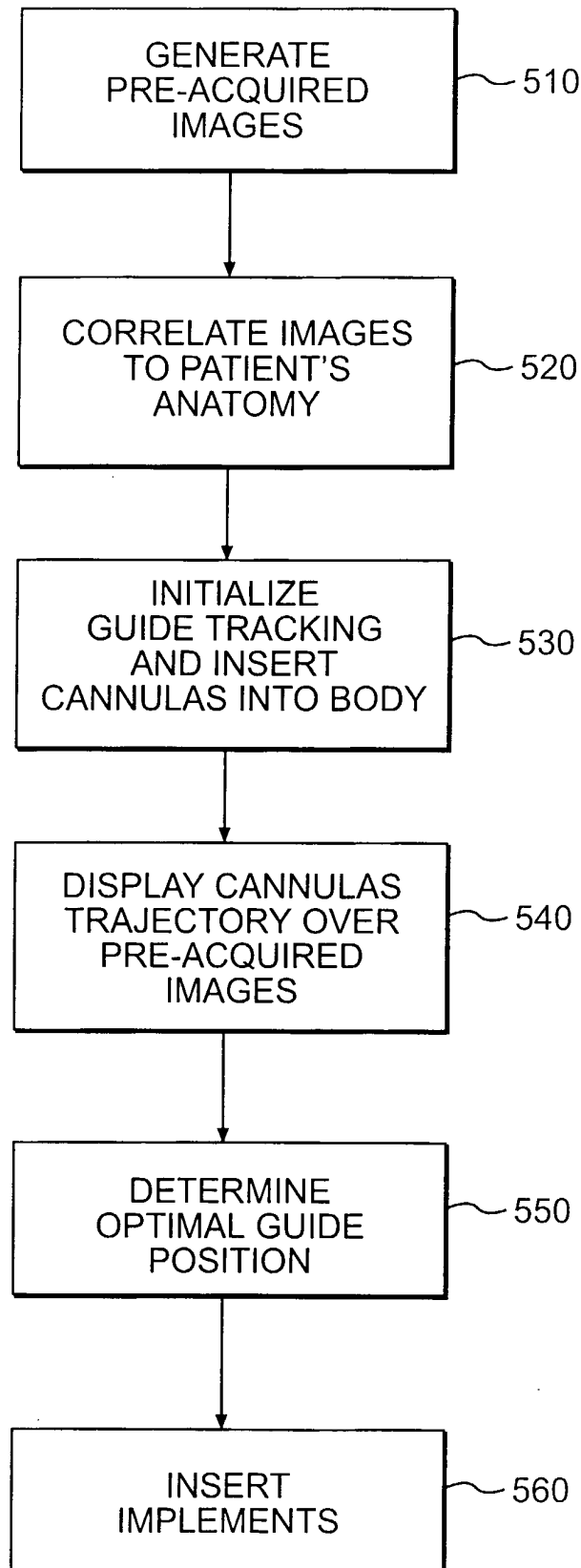


FIG. 4b

**FIG. 5**

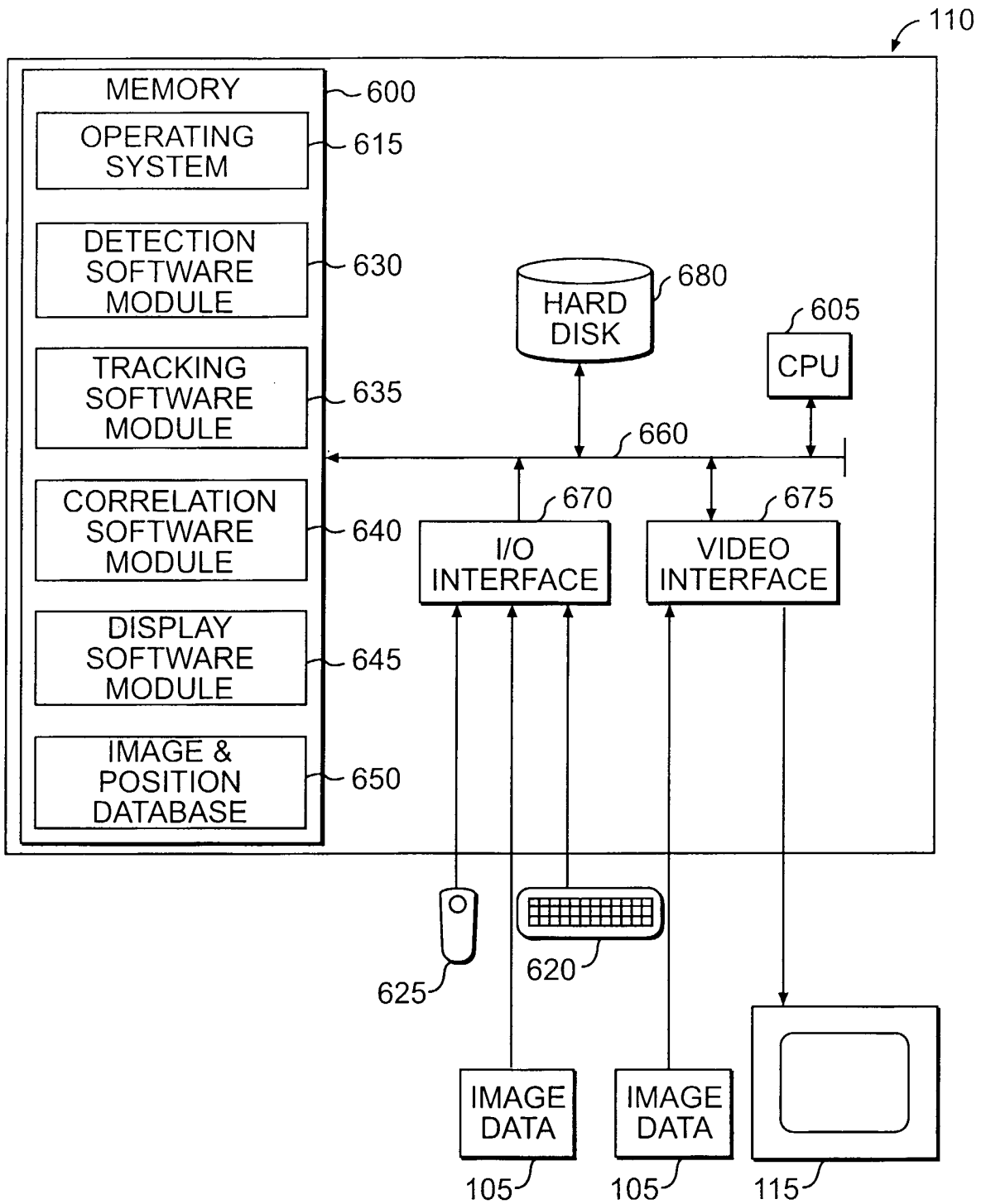


FIG. 6

FIG. 7

700

IMAGE 1

IMAGE 2

<ul style="list-style-type: none"> Start Fluoro Navigate Finish 	<p>◇ Verify probe</p> <p>◇ Save checkpoints</p> <p>◇ Navigate</p>	<p>Back</p> <p>Next</p>					
<p>Position surgical instrument near anatomy to navigate. Visually confirm accuracy in one or more images. Use 'Image Browser' to select other Activated Images for navigation.</p>							
<p>Projected Length (mm) 730</p> <p>0</p> <p style="text-align: center;">▲</p> <p>Frame has moved...</p>							
<table border="1" style="width: 100%; border-collapse: collapse;"> <tr> <td style="width: 33%;">Drill Guide - FN</td> <td style="width: 33%;">Spine Frame</td> <td style="width: 33%;">C-Arm Left</td> </tr> </table>			Drill Guide - FN	Spine Frame	C-Arm Left		
Drill Guide - FN	Spine Frame	C-Arm Left					
<table border="1" style="width: 100%; border-collapse: collapse;"> <tr> <td style="width: 25%;">Camera</td> <td style="width: 25%;">System</td> <td style="width: 25%;">Browse</td> <td style="width: 25%;">Tools</td> <td style="width: 25%;">Snap</td> </tr> </table>			Camera	System	Browse	Tools	Snap
Camera	System	Browse	Tools	Snap			

INTERNATIONAL SEARCH REPORT

International Application No
PCT/US 01/06477

A. CLASSIFICATION OF SUBJECT MATTER IPC 7 A61B19/00		
According to International Patent Classification (IPC) or to both national classification and IPC		
B. FIELDS SEARCHED		
Minimum documentation searched (classification system followed by classification symbols) IPC 7 A61B		
Documentation searched other than minimum documentation to the extent that such documents are included in the fields searched		
Electronic data base consulted during the international search (name of data base and, where practical, search terms used) EPO-Internal		
C. DOCUMENTS CONSIDERED TO BE RELEVANT		
Category °	Citation of document, with indication, where appropriate, of the relevant passages	Relevant to claim No.
Y	US 5 622 170 A (SCHULZ WALDEAN A) 22 April 1997 (1997-04-22) the whole document ---	1-79
Y	US 4 608 977 A (BROWN RUSSELL A) 2 September 1986 (1986-09-02) the whole document ---	1-79
A	EP 0 755 660 A (ARMSTRONG HEALTHCARE LTD) 29 January 1997 (1997-01-29) the whole document ---	1-79
A	US 5 762 629 A (KAMBIN PARVIZ) 9 June 1998 (1998-06-09) the whole document ---	1-79
	-/--	
<input checked="" type="checkbox"/> Further documents are listed in the continuation of box C. <input checked="" type="checkbox"/> Patent family members are listed in annex.		
° Special categories of cited documents :		
A document defining the general state of the art which is not considered to be of particular relevance *E* earlier document but published on or after the international filing date *L* document which may throw doubts on priority claim(s) or which is cited to establish the publication date of another citation or other special reason (as specified) *O* document referring to an oral disclosure, use, exhibition or other means *P* document published prior to the international filing date but later than the priority date claimed		*T* later document published after the international filing date or priority date and not in conflict with the application but cited to understand the principle or theory underlying the invention *X* document of particular relevance; the claimed invention cannot be considered novel or cannot be considered to involve an inventive step when the document is taken alone *Y* document of particular relevance; the claimed invention cannot be considered to involve an inventive step when the document is combined with one or more other such documents, such combination being obvious to a person skilled in the art. *&* document member of the same patent family
Date of the actual completion of the international search	Date of mailing of the international search report	
28 June 2001	05/07/2001	
Name and mailing address of the ISA European Patent Office, P.B. 5818 Patentlaan 2 NL - 2280 HV Rijswijk Tel. (+31-70) 340-2040, Tx. 31 651 epo nl, Fax: (+31-70) 340-3016	Authorized officer Hansen, S	

INTERNATIONAL SEARCH REPORT

 Internat'l Application No
 PCT/US 01/06477

C.(Continuation) DOCUMENTS CONSIDERED TO BE RELEVANT		
Category °	Citation of document, with indication, where appropriate, of the relevant passages	Relevant to claim No.
A	WO 00 01316 A (FRANKLIN RONALD J ;FRANCK JOEL I (US); NEUTAR LLC (US); HAER FREDE) 13 January 2000 (2000-01-13) abstract; figure 1 ---	1-79
A	US 6 021 343 A (MELKENT ANTHONY J ET AL) 1 February 2000 (2000-02-01) abstract; figure 1 ---	1-79
A	EP 0 950 379 A (UNIV ST LOUIS ;SURGICAL NAVIGATION TECH (US)) 20 October 1999 (1999-10-20) abstract; figure 1 ---	1-79
A	US 5 772 594 A (BARRICK EARL F) 30 June 1998 (1998-06-30) abstract; figure 1 ---	1-79
A	US 4 383 527 A (ASNIS STANLEY E ET AL) 17 May 1983 (1983-05-17) abstract; figure 1 -----	1-79

INTERNATIONAL SEARCH REPORT
information on patent family members

International Application No
PCT/US 01/06477

Patent document cited in search report	Publication date	Patent family member(s)	Publication date
US 5622170 A	22-04-1997	US 5383454 A	24-01-1995
		US 5987349 A	16-11-1999
		AU 6666894 A	08-11-1994
		CA 2161126 A	27-10-1994
		EP 0700269 A	13-03-1996
		IL 109385 A	10-03-1998
		JP 8509144 T	01-10-1996
		WO 9423647 A	27-10-1994
		ZA 9402812 A	22-11-1995
		US 6076008 A	13-06-2000
		US 5891034 A	06-04-1999
		AT 196234 T	15-09-2000
		AU 8876391 A	20-05-1992
		CA 2094251 A,C	20-04-1992
		DE 9117261 U	06-08-1998
		DE 69132412 D	19-10-2000
		DE 69132412 T	01-03-2001
		EP 0553246 A	04-08-1993
		EP 0931516 A	28-07-1999
		SE 9301262 A	18-06-1993
		WO 9206645 A	30-04-1992
		US 5851183 A	22-12-1998
US 4608977 A	02-09-1986	NONE	
EP 0755660 A	29-01-1997	GB 2303942 A	05-03-1997
		CA 2182747 A	29-01-1997
		JP 9173350 A	08-07-1997
		NO 963167 A	29-01-1997
US 5762629 A	09-06-1998	US 5395317 A	07-03-1995
		AU 723126 B	17-08-2000
		AU 2824397 A	19-11-1997
		EP 0904123 A	31-03-1999
		JP 2000509305 T	25-07-2000
		WO 9740878 A	06-11-1997
		AU 1847195 A	04-09-1995
		WO 9522285 A	24-08-1995
		AU 661510 B	27-07-1995
		AU 2748892 A	06-05-1993
		CA 2081801 A	01-05-1993
		EP 0540317 A	05-05-1993
		JP 5208015 A	20-08-1993
WO 0001316 A	13-01-2000	AU 5088599 A	24-01-2000
		EP 1094760 A	02-05-2001
US 6021343 A	01-02-2000	AU 1528499 A	15-06-1999
		WO 9926549 A	03-06-1999
EP 0950379 A	20-10-1999	DE 29521895 U	10-09-1998
		AU 3950595 A	06-05-1996
		CA 2201877 A	25-04-1996
		EP 0869745 A	14-10-1998
		WO 9611624 A	25-04-1996
		US 6236875 B	22-05-2001
US 5772594 A	30-06-1998	NONE	

INTERNATIONAL SEARCH REPORT

Information on patent family members

International Application No

PCT/US 01/06477

Patent document cited in search report	Publication date	Patent family member(s)	Publication date
US 4383527	A	17-05-1983	CA 1175722 A
			09-10-1984
			CA 1177351 A
			06-11-1984
			DE 3265702 D
			03-10-1985
			DE 3277170 D
			15-10-1987
			EP 0059044 A
			01-09-1982
			EP 0134514 A
			20-03-1985
			JP 1410545 C
			24-11-1987
			JP 57164049 A
			08-10-1982
			JP 62016101 B
			10-04-1987
			US 4450835 A
			29-05-1984
