



(51) International Patent Classification:

G06F 3/14 (2006.01) G06F 15/16 (2006.01)
G06F 3/048 (2006.01) G06Q 50/10 (2012.01)

(21) International Application Number:

PCT/KR2012/000705

(22) International Filing Date:

30 January 2012 (30.01.2012)

(25) Filing Language:

English

(26) Publication Language:

English

(30) Priority Data:

10-2011-0009720 31 January 2011 (31.01.2011) KR

(71) Applicant (for all designated States except US):

SAM-SUNG ELECTRONICS CO., LTD. [KR/KR]; 129, Samsung-ro, Yeongtong-gu, Suwon-si, Gyeonggi-do 443-742 (KR).

(72) Inventors: **KIM, Chang-won**; 113-1505, Dongil Highvill

Apts., Punggi-dong, Asan-si, Chungcheongnam-do 336-750 (KR). **WOO, Joo-kyung**; 765-15, Sinbong-dong, Sujigu, Yongin-si, Gyeonggi-do 448-150 (KR). **LIM, Eun-young**; No. 609, Hyundai Sungwoo, Seocho 4(sa)-dong, Seocho-gu, Seoul 137-856 (KR). **CHUNG, Sun-wha**; 2-302, Cheonghwa Apt., Itaewon 1(il)-dong, Yongsan-gu, Seoul 140-731 (KR).

(74) Agent: **JEONG, Hong-sik**; 8th Floor, Daelim Bldg., 1600-3, Seocho-dong, Seocho-gu, Seoul 137-877 (KR).

(81) Designated States (unless otherwise indicated, for every kind of national protection available):

AE, AG, AL, AM, AO, AT, AU, AZ, BA, BB, BG, BH, BR, BW, BY, BZ, CA, CH, CL, CN, CO, CR, CU, CZ, DE, DK, DM, DO, DZ, EC, EE, EG, ES, FI, GB, GD, GE, GH, GM, GT, HN, HR, HU, ID, IL, IN, IS, JP, KE, KG, KM, KN, KP, KZ, LA, LC, LK, LR, LS, LT, LU, LY, MA, MD, ME, MG, MK, MN, MW, MX, MY, MZ, NA, NG, NI, NO, NZ, OM, PE, PG, PH, PL, PT, QA, RO, RS, RU, RW, SC, SD, SE, SG, SK, SL, SM, ST, SV, SY, TH, TJ, TM, TN, TR, TT, TZ, UA, UG, US, UZ, VC, VN, ZA, ZM, ZW.

(84) Designated States (unless otherwise indicated, for every kind of regional protection available):

ARIPO (BW, GH, GM, KE, LR, LS, MW, MZ, NA, RW, SD, SL, SZ, TZ, UG, ZM, ZW), Eurasian (AM, AZ, BY, KG, KZ, MD, RU, TJ, TM), European (AL, AT, BE, BG, CH, CY, CZ, DE, DK, EE, ES, FI, FR, GB, GR, HR, HU, IE, IS, IT, LT, LU, LV, MC, MK, MT, NL, NO, PL, PT, RO, RS, SE, SI, SK, SM, TR), OAPI (BF, BJ, CF, CG, CI, CM, GA, GN, GQ, GW, ML, MR, NE, SN, TD, TG).

Published:

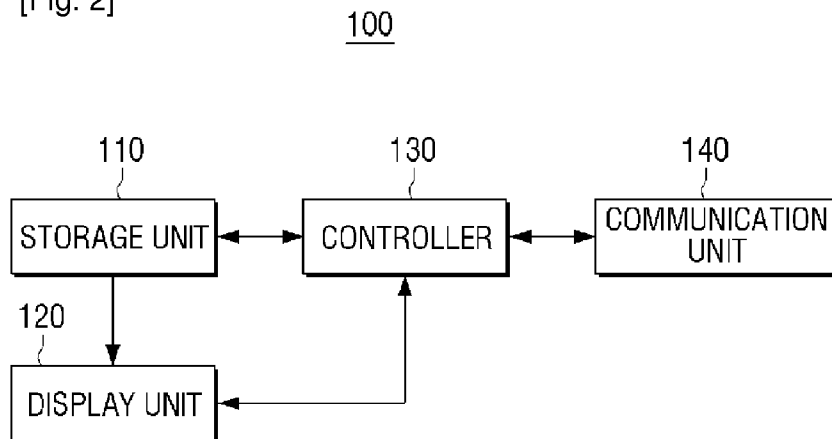
- with international search report (Art. 21(3))
- before the expiration of the time limit for amending the claims and to be republished in the event of receipt of amendments (Rule 48.2(h))

(88) Date of publication of the international search report:

1 November 2012

(54) Title: E-BOOK TERMINAL, SERVER, AND SERVICE PROVIDING METHOD

[Fig. 2]



(57) Abstract: An e-book terminal and a service providing method provided. The e-book terminal includes a storage unit for storing contents, a display unit for displaying icons corresponding to each of the contents and additionally displaying updated marks on icons that correspond to contents containing updated information, and a controller for, if an icon upon which one of the updated marks is additionally displayed is selected, controlling the display unit to display link information for updated information corresponding to the content of the selected icon.

WO 2012/105783 A3

A. CLASSIFICATION OF SUBJECT MATTER**G06F 3/14(2006.01)i, G06F 3/048(2006.01)i, G06F 15/16(2006.01)i, G06Q 50/10(2012.01)i**

According to International Patent Classification (IPC) or to both national classification and IPC

B. FIELDS SEARCHED

Minimum documentation searched (classification system followed by classification symbols)

G06F 3/14; G06F 15/16; G06F 9/44; G06Q 30/00; G09G 3/34; G06Q 50/00

Documentation searched other than minimum documentation to the extent that such documents are included in the fields searched

Korean utility models and applications for utility models

Japanese utility models and applications for utility models

Electronic data base consulted during the international search (name of data base and, where practicable, search terms used)

eKOMPASS(KIPO internal) & Keywords: electronic book, e-book, digital book, update, icon, mark, SNS, community.

C. DOCUMENTS CONSIDERED TO BE RELEVANT

Category*	Citation of document, with indication, where appropriate, of the relevant passages	Relevant to claim No.
X	KR 10-2006-0110965 A (LG ELECTRONICS INC.) 26 October 2006	8, 15
Y	See the abstract, pages 2-5, claims 1-13, and figure 3.	1-7, 9-14
Y	APPLE INC. iPhone User Guide, For iPhone OS 3.1 Software, September 2009, pp. 172.	1-7, 11-14
Y	KR 10-2010-0031595 A (KIM, MYUNG YUL) 23 March 2010 See the abstract, paragraphs [0015]-[0052], and claims 1, 3, 10.	4-6, 9-10, 14
A	US 2010-0060566 A1 (WANG HAN-CHE et al.) 11 March 2010 See the abstract and paragraphs [0008]-[0017].	1-15

 Further documents are listed in the continuation of Box C. See patent family annex.

* Special categories of cited documents:

"A" document defining the general state of the art which is not considered to be of particular relevance

"E" earlier application or patent but published on or after the international filing date

"L" document which may throw doubts on priority claim(s) or which is cited to establish the publication date of citation or other special reason (as specified)

"O" document referring to an oral disclosure, use, exhibition or other means

"P" document published prior to the international filing date but later than the priority date claimed

"T" later document published after the international filing date or priority date and not in conflict with the application but cited to understand the principle or theory underlying the invention

"X" document of particular relevance; the claimed invention cannot be considered novel or cannot be considered to involve an inventive step when the document is taken alone

"Y" document of particular relevance; the claimed invention cannot be considered to involve an inventive step when the document is combined with one or more other such documents, such combination being obvious to a person skilled in the art

"&" document member of the same patent family

Date of the actual completion of the international search

30 AUGUST 2012 (30.08.2012)

Date of mailing of the international search report

31 AUGUST 2012 (31.08.2012)

Name and mailing address of the ISA/KR

Korean Intellectual Property Office
189 Cheongsu-ro, Seo-gu, Daejeon Metropolitan
City, 302-701, Republic of Korea

Facsimile No. 82-42-472-7140

Authorized officer

Choi, Jae Gwi

Telephone No. 82-42-481-5787



INTERNATIONAL SEARCH REPORT

Information on patent family members

International application No.

PCT/KR2012/000705

Patent document cited in search report	Publication date	Patent family member(s)	Publication date
KR 10-2006-0110965 A	26.10.2006	None	
KR 10-2010-0031595 A	23.03.2010	None	
US 2010-0060566 A1	11.03.2010	CN 101673019 A	17.03.2010