



US00D882152S

(12) **United States Design Patent**  
**Probyn**

(10) **Patent No.:** **US D882,152 S**

(45) **Date of Patent:** **\*\* Apr. 21, 2020**

- (54) **LAMP**
- (71) Applicant: **Inter IKEA Systems B.V.**, LN Delft (NL)
- (72) Inventor: **Aaron Probyn**, London (GB)
- (73) Assignee: **Inter IKEA Systems B.V.**, LN Delft (NL)
- (\*\*) Term: **15 Years**
- (21) Appl. No.: **29/671,902**
- (22) Filed: **Nov. 30, 2018**
- (30) **Foreign Application Priority Data**  
 Jun. 5, 2018 (EM) ..... 005298098
- (51) **LOC (12) Cl.** ..... **26-05**
- (52) **U.S. Cl.**  
 USPC ..... **D26/106**
- (58) **Field of Classification Search**  
 USPC .... D26/1, 24, 40, 88, 93, 96, 104, 105, 106,  
 D26/107, 108, 109, 110, 128; D14/172,  
 D14/188, 496, 509  
 CPC .... F21S 6/00; F21S 6/002; F21S 6/003; F21S  
 6/004; F21S 6/005; F21S 6/006; F21S  
 6/007; F21S 8/035; F21S 8/063; F21V  
 15/01; F21V 15/012; F21V 21/06; F21V  
 21/08; F21V 33/00; F21V 33/0024; F21V  
 33/0048; F21V 33/0056; F21W 2131/30;  
 F21W 2131/40; F21W 2131/301  
 See application file for complete search history.

D556,361	S	*	11/2007	Arbel	.....	D26/88
D607,140	S	*	12/2009	Farris	.....	D26/105
D646,836	S	*	10/2011	Wauters	.....	D26/93
D650,511	S	*	12/2011	Hine	.....	D26/93
D670,424	S	*	11/2012	Lee	.....	D26/93
D677,826	S	*	3/2013	Bruneel	.....	D26/93
D679,854	S	*	4/2013	Sun	.....	D26/93
D690,872	S	*	10/2013	Meise	.....	D26/88
D698,984	S	*	2/2014	Meise	.....	D26/107
D736,453	S	*	8/2015	Motzkin	.....	D26/128
9,222,663	B1	*	12/2015	Yang	.....	G09F 19/02
D772,457	S	*	11/2016	Lee	.....	D26/52
D786,485	S	*	5/2017	Amato	.....	D26/106
D802,825	S	*	11/2017	Michael	.....	D26/93
D828,609	S	*	9/2018	Barber	.....	D26/110
D831,878	S	*	10/2018	Reybie	.....	D26/93
D836,821	S	*	12/2018	Ossino	.....	D26/106
D836,822	S	*	12/2018	Crocker	.....	D26/107
2014/0268669	A1	*	9/2014	Yang	.....	F21S 8/035 362/101
2018/0064072	A1	*	3/2018	Chattin	.....	A01K 63/003

\* cited by examiner

*Primary Examiner* — Wan Laymon  
*Assistant Examiner* — Clint A Samuel  
(74) *Attorney, Agent, or Firm* — Tucker Ellis LLP

(57) **CLAIM**

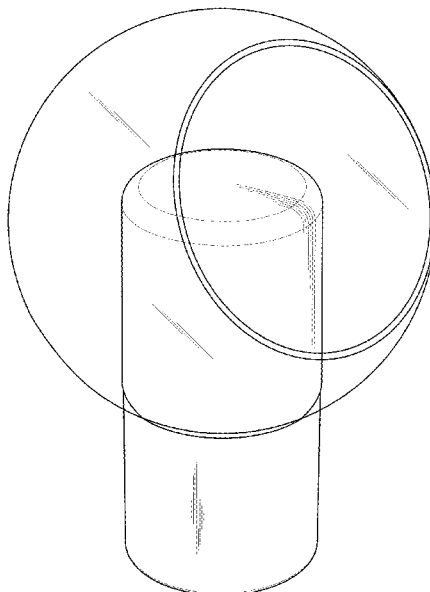
The ornamental design for a lamp, as shown and described.

**DESCRIPTION**

FIG. 1 is a perspective view of a lamp showing my new design;  
FIG. 2 is a front view thereof;  
FIG. 3 is a rear view thereof;  
FIG. 4 is a right side view thereof;  
FIG. 5 is a left side view thereof;  
FIG. 6 is a top view thereof; and,  
FIG. 7 is a bottom view thereof.

**1 Claim, 7 Drawing Sheets**

- (56) **References Cited**  
 U.S. PATENT DOCUMENTS  
 1,733,567 A \* 10/1929 White ..... F21S 8/00  
 362/269  
 D407,995 S \* 4/1999 Gallegos ..... D11/164



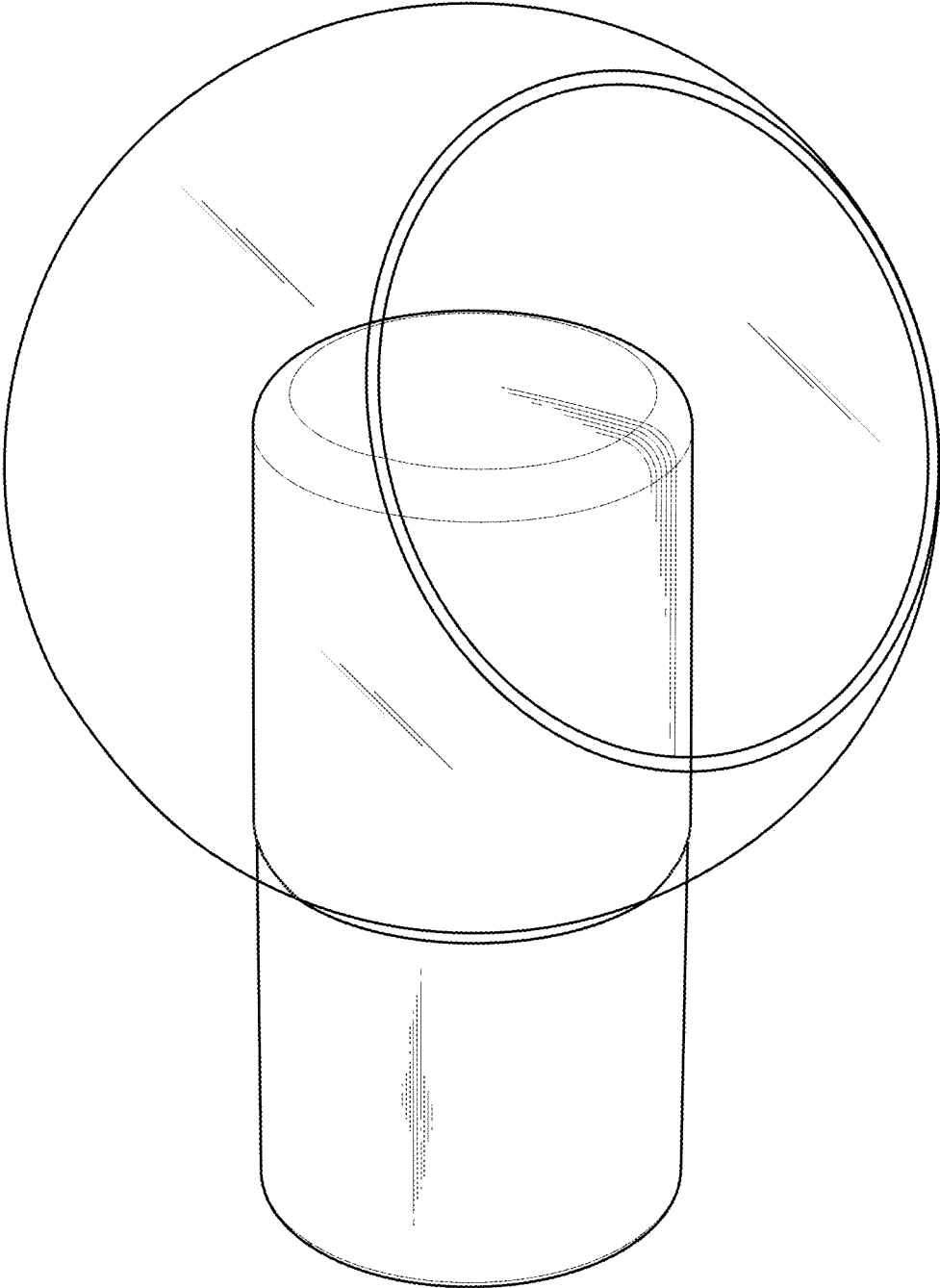


FIG. 1

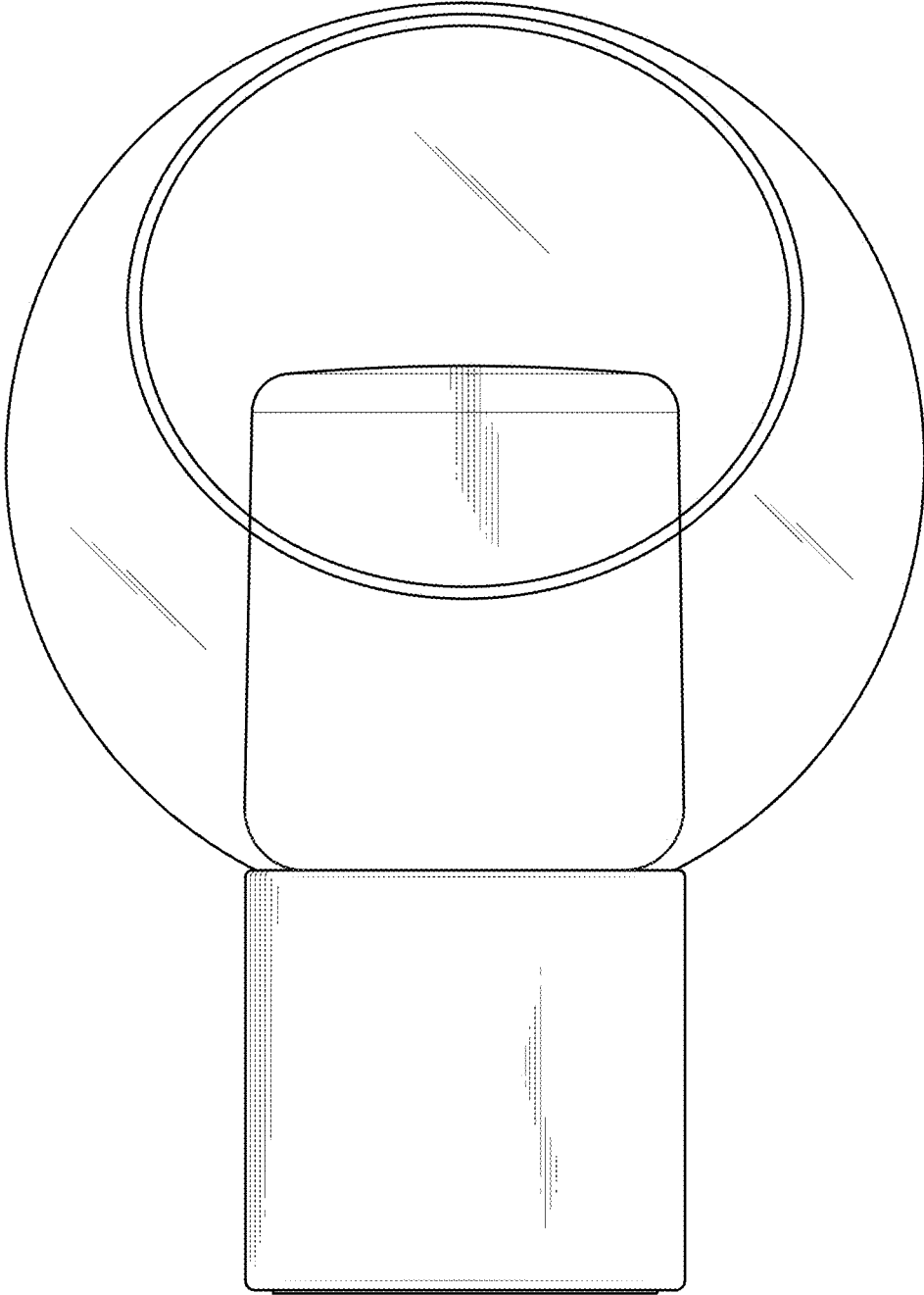


FIG. 2

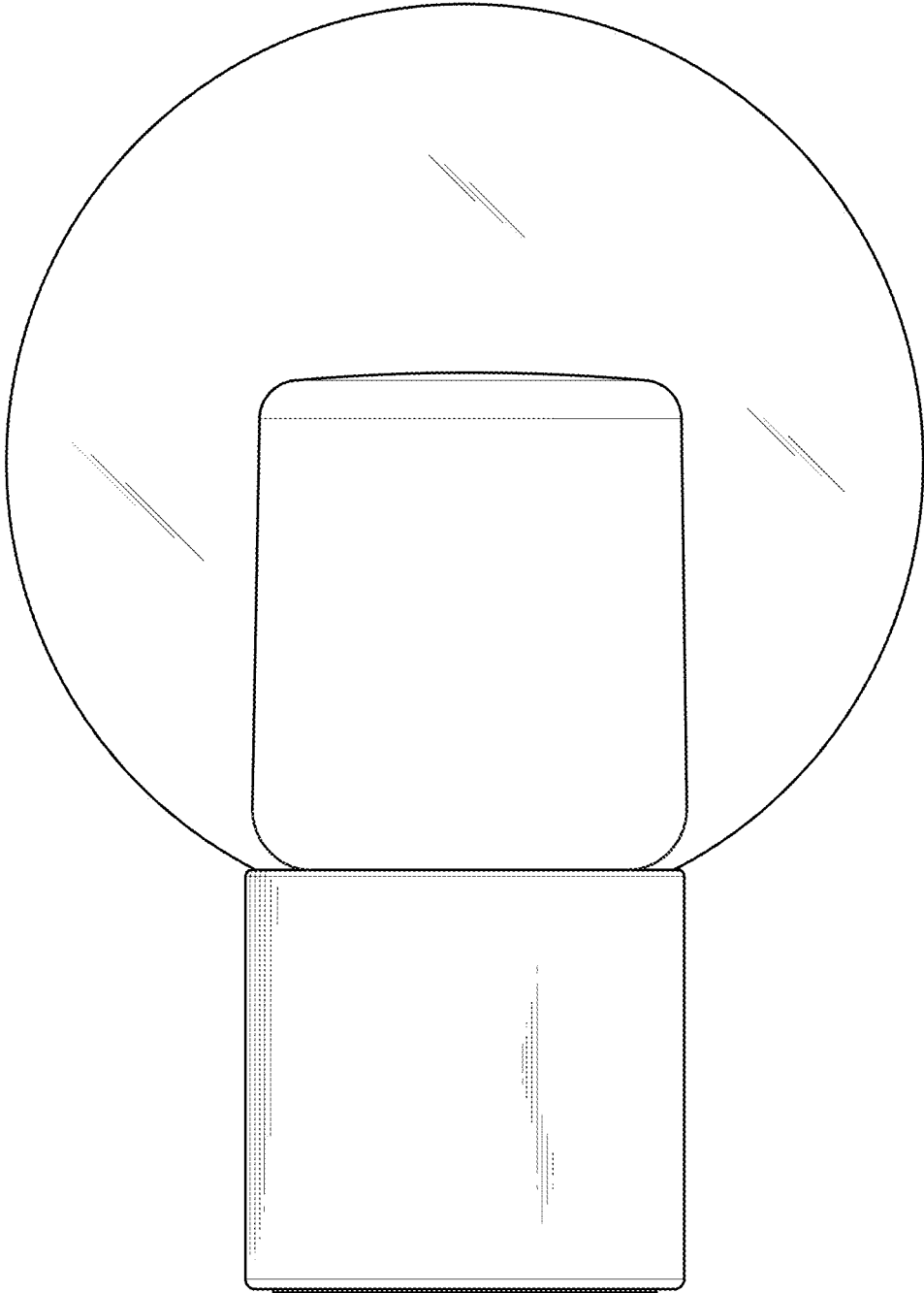


FIG. 3

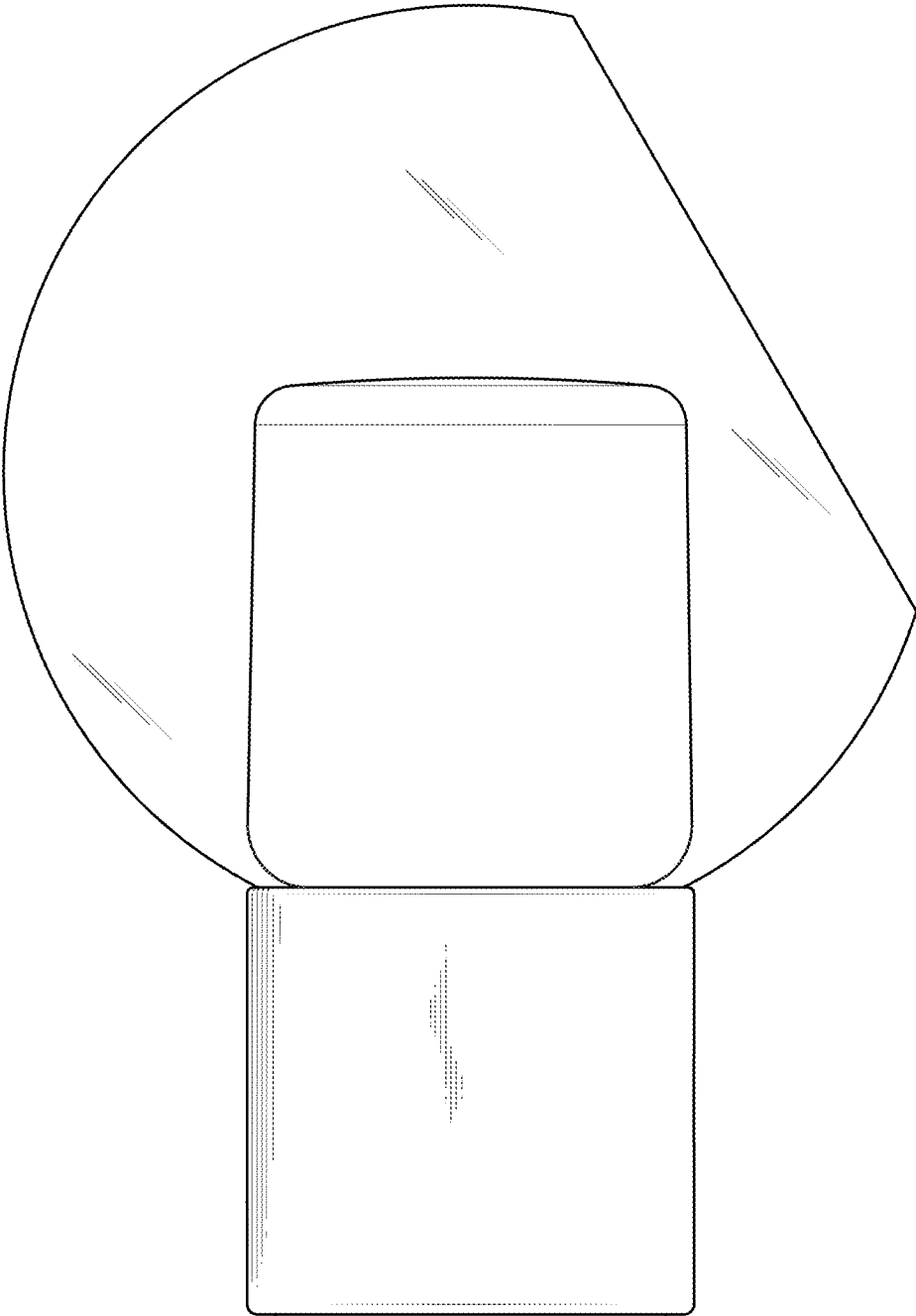


FIG. 4

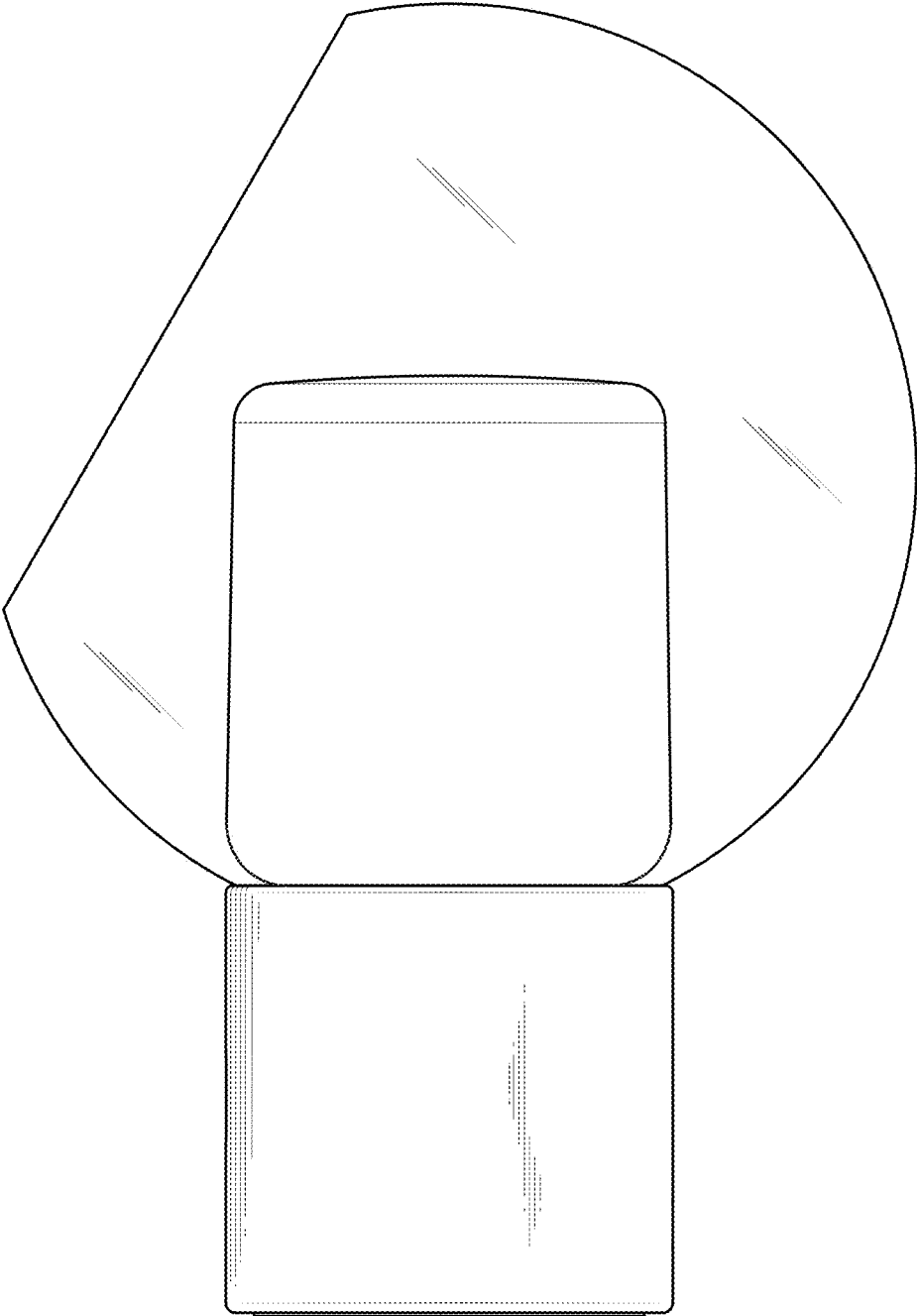


FIG. 5

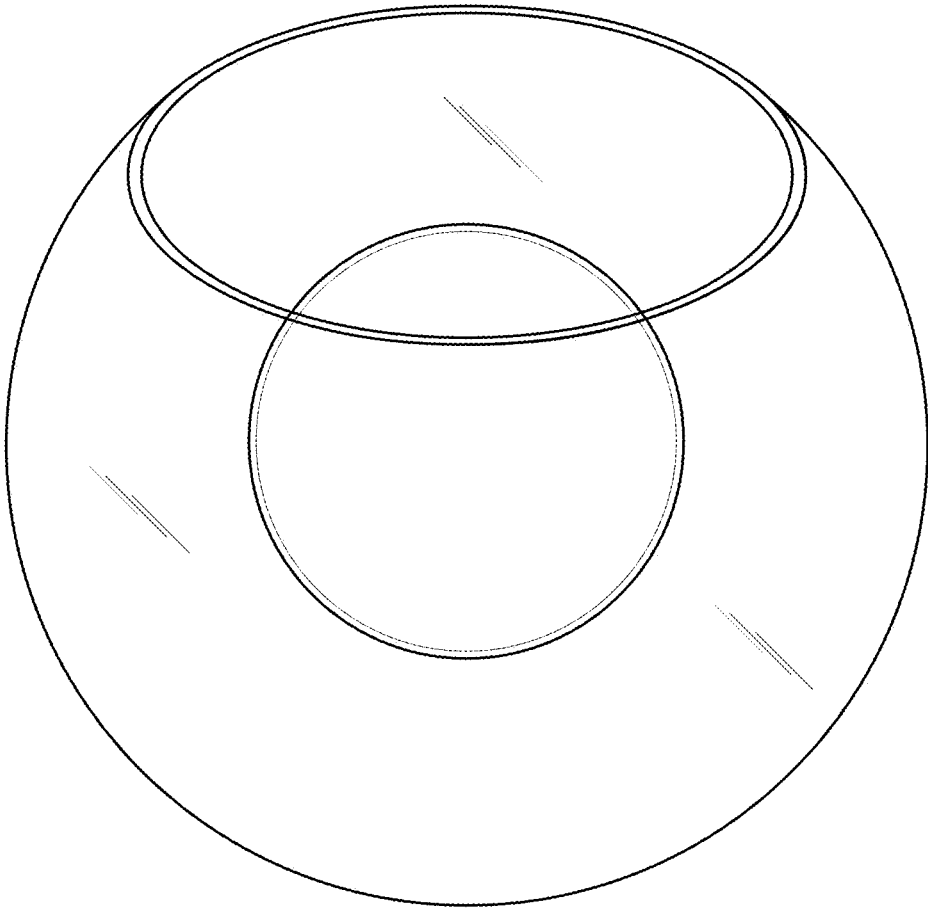


FIG. 6

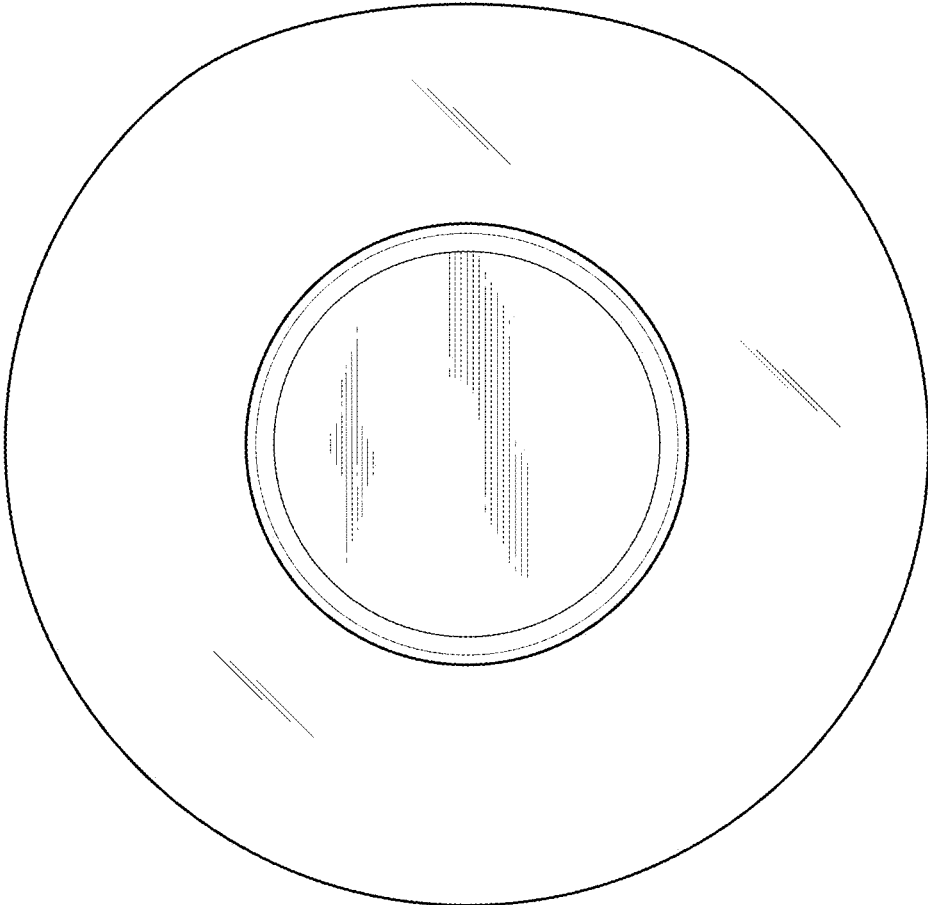


FIG. 7