



US00D803157S

(12) **United States Design Patent**  
**Mugan et al.**

(10) **Patent No.:** **US D803,157 S**

(45) **Date of Patent:** **\*\* Nov. 21, 2017**

(54) **ELECTRICAL CONNECTOR ASSEMBLY**

(71) Applicants: **Shan Mugan**, Ontario (CA); **Adrian Green**, Ontario (CA); **Bradley J. Copping**, Ontario (CA)

(72) Inventors: **Shan Mugan**, Ontario (CA); **Adrian Green**, Ontario (CA); **Bradley J. Copping**, Ontario (CA)

(73) Assignee: **Amphenol Corporation**, Wallingford, CT (US)

(\*\*) Term: **14 Years**

(21) Appl. No.: **29/521,039**

(22) Filed: **Mar. 19, 2015**

(51) **LOC (10) Cl.** ..... **13-03**

(52) **U.S. Cl.**  
USPC ..... **D13/133**

(58) **Field of Classification Search**

USPC ..... D13/101, 118, 119, 120, 121, 123, 125,  
D13/133–135, 146, 149, 154, 156, 173,  
D13/184, 199

CPC ..... H01R 13/00; H01R 11/11; H01R 13/42;  
H01R 9/00; H01R 4/24; H01R 4/36;  
H01R 4/48; H01R 33/22; H01R 33/00;  
H01R 11/281; H01R 13/175; H01R  
13/665; H01R 13/03; H01R 12/00; H01R  
13/62; H01R 13/64; H01R 24/00

See application file for complete search history.

(56) **References Cited**

**U.S. PATENT DOCUMENTS**

D302,421 S \* 7/1989 Ichitsubo ..... D13/133  
D576,951 S \* 9/2008 Chen ..... D13/133

(Continued)

*Primary Examiner* — Thomas Johannes  
*Assistant Examiner* — Shawn T Gingrich

(74) *Attorney, Agent, or Firm* — Blank Rome LLP; Tara L. Marcus

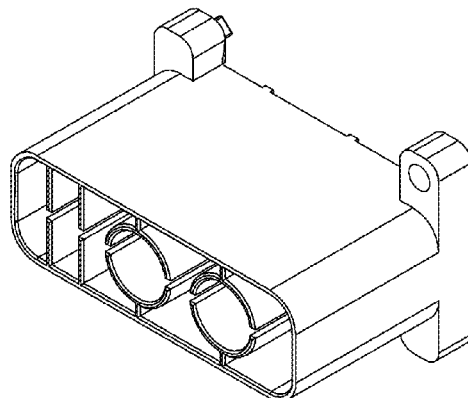
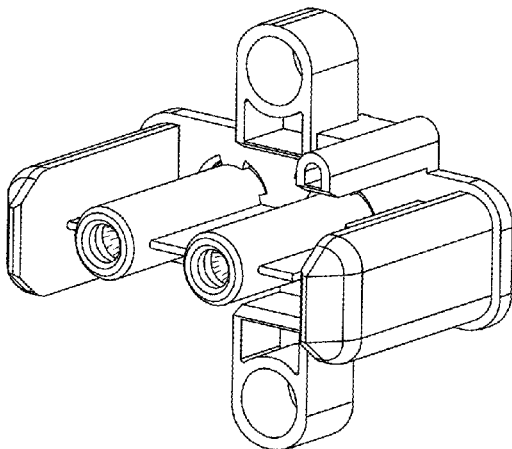
(57) **CLAIM**

The ornamental design for an electrical connector assembly, as shown and described.

**DESCRIPTION**

FIG. 1 is a front perspective view of a socket of electrical connector assembly in accordance with the present design, shown separately for illustrative clarity; FIG. 2 is a front view of the socket of the electrical connector assembly illustrated in FIG. 1; FIG. 3 is a rear view of the socket of the electrical connector assembly illustrated in FIG. 1; FIG. 4 is a right side view of the socket of the electrical connector assembly illustrated in FIG. 1; FIG. 5 is a left side view of the socket of the electrical connector assembly illustrated in FIG. 1; FIG. 6 is a top view of the socket of the electrical connector assembly illustrated in FIG. 1; FIG. 7 is a bottom side view of the socket of the electrical connector assembly illustrated in FIG. 1; FIG. 8 is a front perspective view of the pin of the electrical connector assembly in accordance with the present design, shown separately for illustrative clarity; FIG. 9 is a front view of the pin of the electrical connector assembly illustrated in FIG. 8; FIG. 10 is a rear view of the pin of the electrical connector assembly illustrated in FIG. 8; FIG. 11 is a right side view of the pin of the electrical connector assembly illustrated in FIG. 8; FIG. 12 is a left side view of the pin of the electrical connector assembly illustrated in FIG. 8; FIG. 13 is a top view of the pin of the electrical connector assembly illustrated in FIG. 8; and, FIG. 14 is a bottom view of the pin of the electrical connector assembly illustrated in FIG. 8. The broken line portion of the figure drawings is included to show portions of the article that form no part of the claimed design.

**1 Claim, 3 Drawing Sheets**



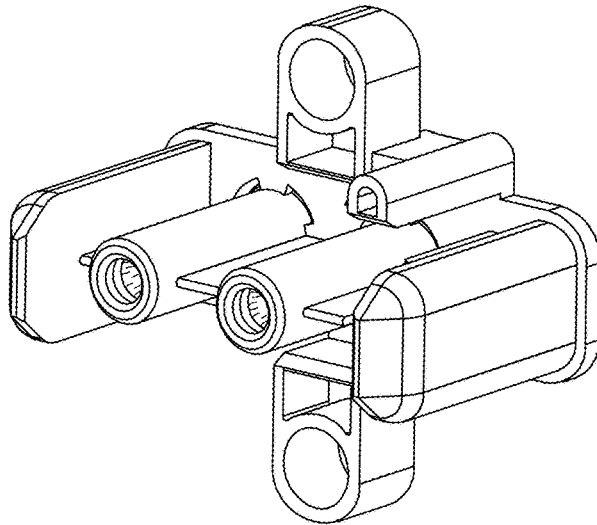
(56)

**References Cited**

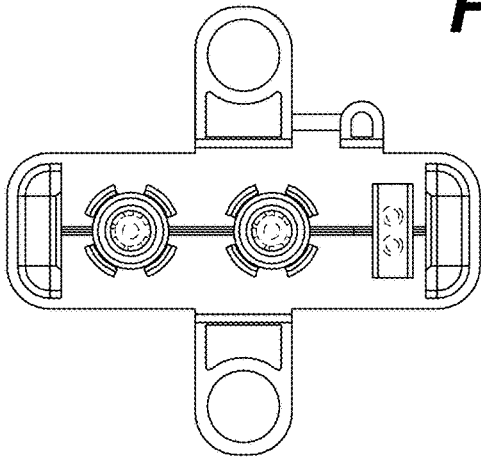
## U.S. PATENT DOCUMENTS

|              |      |         |          |       |                         |
|--------------|------|---------|----------|-------|-------------------------|
| D589,445     | S *  | 3/2009  | Arai     | ..... | D13/133                 |
| D631,842     | S *  | 2/2011  | Sun      | ..... | D13/147                 |
| D658,586     | S *  | 5/2012  | Lin      | ..... | D13/146                 |
| 8,241,043    | B1 * | 8/2012  | Lin      | ..... | H01R 13/6205<br>439/39  |
| D691,562     | S *  | 10/2013 | Suzuki   | ..... | D13/146                 |
| D716,732     | S *  | 11/2014 | Neumann  | ..... | D13/133                 |
| D768,081     | S *  | 10/2016 | Zayas    | ..... | D13/134                 |
| 2003/0098173 | A1 * | 5/2003  | Ide      | ..... | H01B 7/0861<br>174/78   |
| 2010/0105226 | A1 * | 4/2010  | Gong     | ..... | H01R 13/7031<br>439/135 |
| 2011/0294361 | A1 * | 12/2011 | Schrader | ..... | H01R 13/64<br>439/680   |
| 2014/0151999 | A1 * | 6/2014  | Imaki    | ..... | F16L 37/56<br>285/119   |

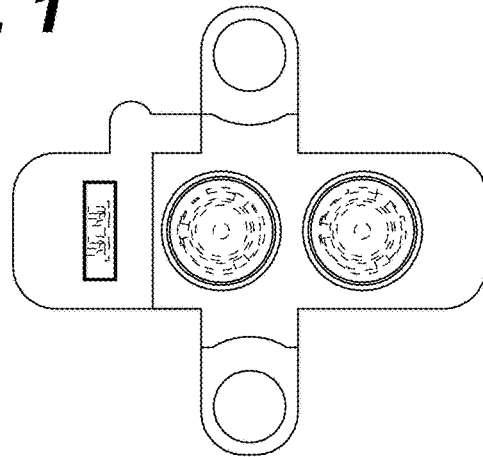
\* cited by examiner



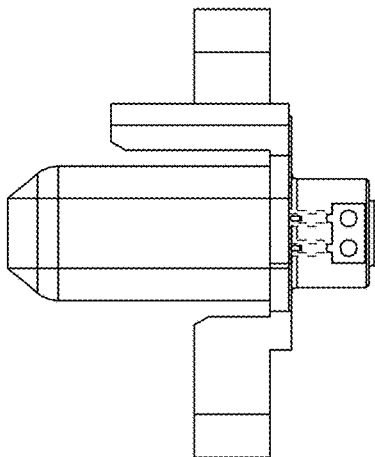
**FIG. 1**



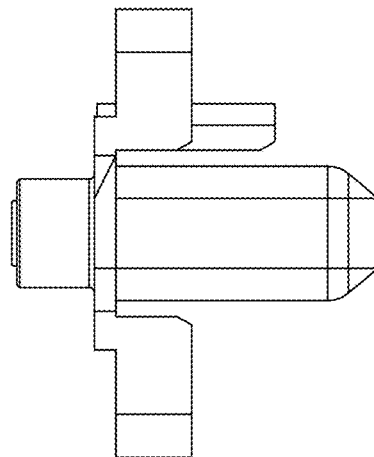
**FIG. 2**



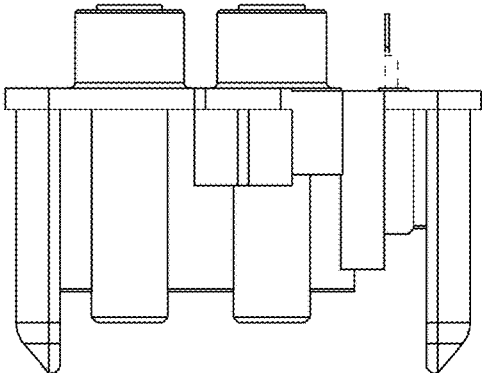
**FIG. 3**



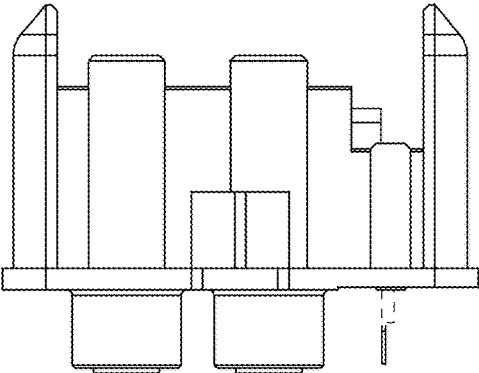
**FIG. 4**



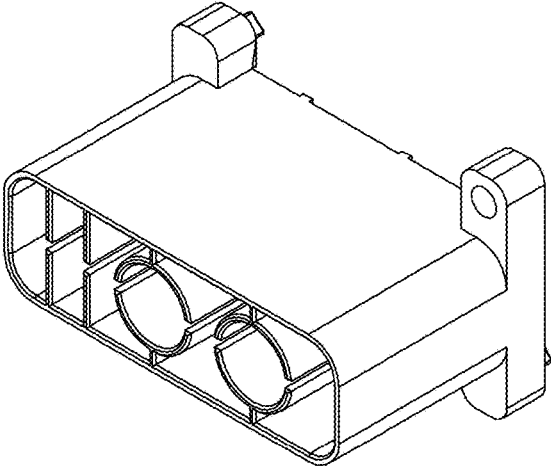
**FIG. 5**



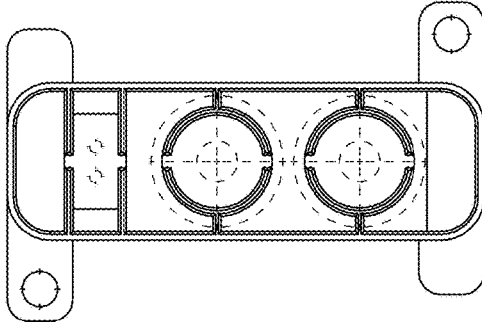
**FIG. 6**



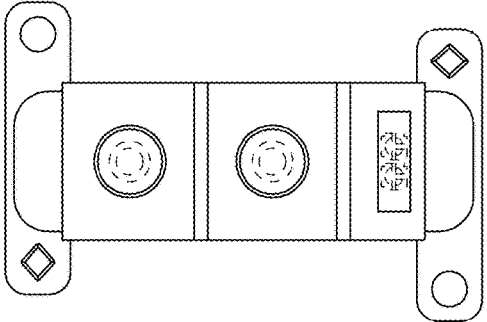
**FIG. 7**



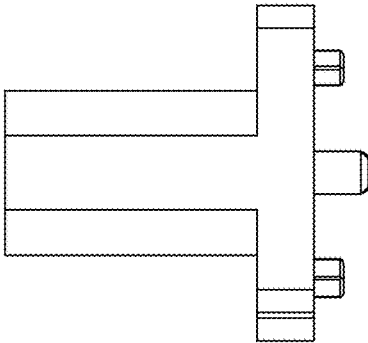
**FIG. 8**



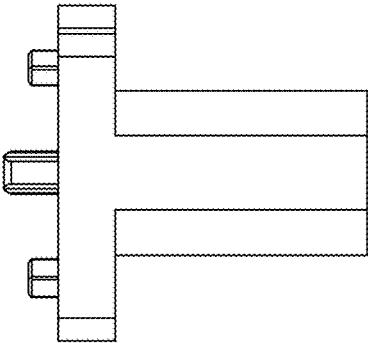
**FIG. 9**



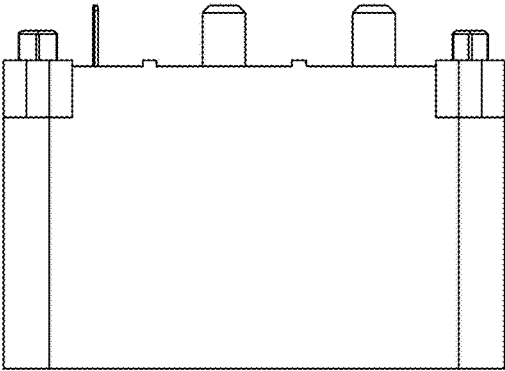
**FIG. 10**



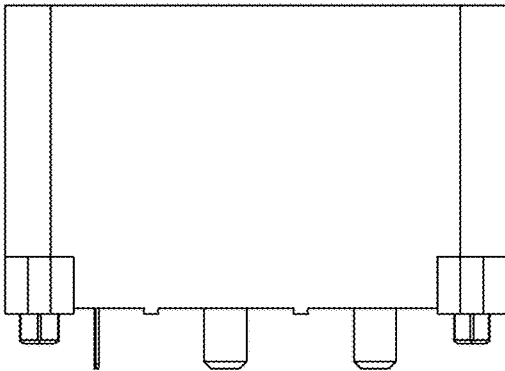
**FIG. 11**



**FIG. 12**



**FIG. 13**



**FIG. 14**