



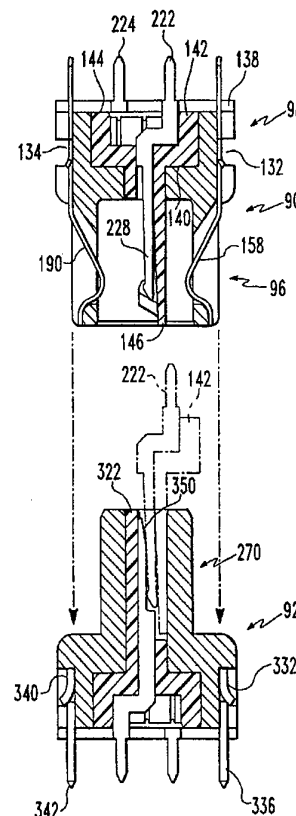
INTERNATIONAL APPLICATION PUBLISHED UNDER THE PATENT COOPERATION TREATY (PCT)

<p>(51) International Patent Classification ⁶ : H01R 13/652, H01B 7/00</p>	<p>A1</p>	<p>(11) International Publication Number: WO 96/42123 (43) International Publication Date: 27 December 1996 (27.12.96)</p>
<p>(21) International Application Number: PCT/US96/10210 (22) International Filing Date: 11 June 1996 (11.06.96) (30) Priority Data: 08/452,020 12 June 1995 (12.06.95) US 08/452,021 12 June 1995 (12.06.95) US (71) Applicant (for all designated States except US): BERG TECHNOLOGY, INC. [US/US]; One East First Street, Reno, NV 89501 (US). (72) Inventors; and (75) Inventors/Applicants (for US only): ELCO, Richard, A. [US/US]; 26 Oakwood Avenue, Mechanicsburg, PA 17055 (US). FUSSELMAN, David, F. [US/US]; 717 East Main Street, Middletown, PA 17057 (US). (74) Agents: LONG, Daniel, J. et al.; 825 Old Trail Road, Etters, PA 17319 (US).</p>		<p>(81) Designated States: AM, AT, AU, BB, BG, BR, BY, CA, CH, CN, CZ, DE, DK, EE, ES, FI, GB, GE, HU, IL, IS, JP, KE, KG, KP, KR, KZ, LK, LR, LT, LU, LV, MD, MG, MK, MN, MW, MX, NO, NZ, PL, PT, RO, RU, SD, SE, SG, SI, SK, TJ, TM, TT, UA, UG, US, UZ, VN, ARIPO patent (KE, LS, MW, SD, SZ, UG), European patent (AT, BE, CH, DE, DK, ES, FI, FR, GB, GR, IE, IT, LU, MC, NL, PT, SE), OAPI patent (BF, BJ, CF, CG, CI, CM, GA, GN, ML, MR, NE, SN, TD, TG). Published <i>With international search report.</i></p>

(54) Title: LOW CROSS TALK AND IMPEDANCE CONTROLLED ELECTRICAL CONNECTOR AND ELECTRICAL CABLE ASSEMBLY

(57) Abstract

Disclosed is an electrical connector (90, 92) and an electrical cable assembly (370) in which the conductive (220, 352; 386, 388) and dielectric elements (146, 322; 370) are arranged in a composite I-beam shaped geometry in which the conductive element (220, 352; 368, 388) is perpendicular interposed between two parallel dielectric and ground plane elements (146, 322; 370). Low cross talk and controlled impedance are found to result from the use of this geometry.



FOR THE PURPOSES OF INFORMATION ONLY

Codes used to identify States party to the PCT on the front pages of pamphlets publishing international applications under the PCT.

AM	Armenia	GB	United Kingdom	MW	Malawi
AT	Austria	GE	Georgia	MX	Mexico
AU	Australia	GN	Guinea	NE	Niger
BB	Barbados	GR	Greece	NL	Netherlands
BE	Belgium	HU	Hungary	NO	Norway
BF	Burkina Faso	IE	Ireland	NZ	New Zealand
BG	Bulgaria	IT	Italy	PL	Poland
BJ	Benin	JP	Japan	PT	Portugal
BR	Brazil	KE	Kenya	RO	Romania
BY	Belarus	KG	Kyrgyzstan	RU	Russian Federation
CA	Canada	KP	Democratic People's Republic of Korea	SD	Sudan
CF	Central African Republic	KR	Republic of Korea	SE	Sweden
CG	Congo	KZ	Kazakhstan	SG	Singapore
CH	Switzerland	LI	Liechtenstein	SI	Slovenia
CI	Côte d'Ivoire	LK	Sri Lanka	SK	Slovakia
CM	Cameroon	LR	Liberia	SN	Senegal
CN	China	LT	Lithuania	SZ	Swaziland
CS	Czechoslovakia	LU	Luxembourg	TD	Chad
CZ	Czech Republic	LV	Latvia	TG	Togo
DE	Germany	MC	Monaco	TJ	Tajikistan
DK	Denmark	MD	Republic of Moldova	TT	Trinidad and Tobago
EE	Estonia	MG	Madagascar	UA	Ukraine
ES	Spain	ML	Mali	UG	Uganda
FI	Finland	MN	Mongolia	US	United States of America
FR	France	MR	Mauritania	UZ	Uzbekistan
GA	Gabon			VN	Viet Nam

LOW CROSS TALK AND IMPEDANCE CONTROLLED
ELECTRICAL CONNECTOR AND ELECTRICAL CABLE ASSEMBLY

5

Background of the Invention

1. Field of the Invention: The present invention relates to electrical connectors and more particularly to electrical connectors including means for controlling electrical cross talk and impedance.
- 10 2. Brief Description of Prior Developments: As the density of interconnects increases and the pitch between contacts approaches .025 inches or .5mm, the close proximity of the contacts increases the likelihood of strong electrical cross talk coupling between the contacts. In addition, maintaining design control over the electrical characteristic impedance of the contacts becomes increasingly difficult. In
15 most interconnects, the mated plug/receptacle contact is surrounded by structural plastic with air spaces to provide mechanical clearances for the contact beam. As is disclosed in U. S. Patent No. 5,046,960 to Fedder, these air spaces can be used to provide some control over the characteristic impedance of the mated contact. Heretofore, however, these air spaces have not been used, in conjunction with the
20 plastic geometry, to control both impedance and, more importantly, cross talk.

Summary of the Invention

In the connector of the present invention there is a first member and a second member each of which comprises a metallic contact means and a dielectric base
25 means. On each member the metallic contact means extends perpendicularly from the dielectric base means. The two metallic contact means connect to form what is referred to herein as a generally "I-beam" shaped geometry. The concept behind the I-beam geometry is the use of strong dielectric loading through the structural dielectric to ground on the top and bottom of the mated contact edges and a relatively light
30 loading through air on the mated contact sides. These different dielectric loadings are balanced in such a way as to maintain a controlled impedance and yet minimize coupling (and cross talk) between adjacent contacts. In this way, all lines of the

interconnect can be dedicated to signals while maintaining a controlled impedance and a relatively low rise time-cross talk product of less than 1 nano-second percent. Typical rise time-cross talk values for existing .05 to .025 inch pitch controlled impedance interconnects range from 2.5 to 4 nano-second percent.

- 5 The I-beam geometry of this invention may also be advantageously used in an electrical cable assembly. In such an assembly a control support dielectrical web element is perpendicularly interposed between opposed flange elements. Each of the flange elements extend perpendicularly away from the terminal ends of the web element. On both of the opposed sides of the web there is a metalized signal line.
- 10 The opposed end surfaces of the flanges are metalized to form a ground plane. Two or more such cable assemblies may be used together such that the flanges are in end to end abutting relation and the longitudinal axes of the conductive elements are parallel. An insulative jacket may also be positioned around the entire assembly.

 For both connectors and cable assemblies having the I-beam geometry of this
15 invention, it is believed that rise time cross-talk product will be independent of signal density for signal to ground ratios greater than 1:1.

Brief Description of the Drawings

The invention is further described with reference to the accompanying drawings in which:

- 20 Fig. 1 is a schematic illustration of one preferred embodiment of the connector of the present invention;
- Fig. 1a is a schematic illustration of another preferred embodiment of the connector of the present invention;
- Fig. 2 is a schematic illustration of another preferred embodiment of the
25 connector of the present invention;
- Fig. 3 is another schematic illustration of the connector illustrated in Fig. 2;
- Fig. 4 is a side elevational view of another preferred embodiment of the connector of the present invention;
- Fig. 5 is an end view of the connector shown in Fig. 4;

- Fig. 6 is a perspective view of the connector shown in Fig. 4;
- Fig. 7 is an end view of the receptacle element of the connector shown in Fig. 4;
- Fig. 8 is a bottom plan view of the receptacle element shown in Fig. 7;
- Fig. 9 is a cross sectional view taken through IX - IX in Fig. 7;
- 5 Fig. 10 is an end view of the receptacle element of the preferred embodiment of the present invention shown in Fig. 4;
- Fig. 11 is a bottom plan view of the receptacle element shown in Fig. 10;
- Fig. 12 is a cross sectional view taken through XII - XII in Fig. 10;
- Fig. 13 is a perspective view of the receptacle element shown in Fig. 10;
- 10 Fig. 14 is a cross sectional view of the plug and receptacle elements of the connector shown in Fig. 4 prior to engagement;
- Fig. 15 is a cross sectional view taken through XV - XV in Fig. 4;
- Fig. 16 is a cross sectional view corresponding to Fig. 13 of another preferred embodiment of the connector of the present invention;
- 15 Figs. 17 and 18 are graphs illustrating the results of comparative tests described hereafter;
- Fig. 19 is a perspective view of a preferred embodiment of a cable assembly of the present invention;
- Fig. 20 is a detailed view of the area within circle XVIII in Fig. 17;
- 20 Fig. 21 is a cross sectional view of another preferred embodiment of a cable assembly of the present invention;
- Fig. 22 is a side elevational view of the cable assembly shown in Fig. 17 in use with a receptacle;
- Fig. 23 is a cross sectional view taken through XXIII - XXIII in Fig. 20.
- 25 Fig. 24 is a top plan view of a plug section of another preferred embodiment of the connector of the present invention;
- Fig. 25 is a bottom plan view of the plug section shown in Fig. 24;
- Fig. 26 is an end view of the plug section shown in Fig. 24;
- Fig. 27 is a side elevational view of the plug section shown in Fig. 24;

Fig. 28 is a top plan view of a receptacle section which is engageable with the plug section of a preferred embodiment of the present invention shown in Fig. 24;

Fig. 29 is a bottom plan view of the receptacle shown in Fig. 28;

5 Fig. 30 is an end view of the receptacle shown in Fig. 28;

Fig. 31 is a side elevational view of the receptacle shown in Fig. 28;

Fig. 32 is a fragmented cross sectional view as taken through lines XXXII - XXXII in Figs. 24 and 28 showing those portions of the plug and receptacle shown in those drawings in an unengaged position; and

10 Fig. 33 is a fragmented cross sectional view as would be shown as taken through lines XXXIII - XXXIII in Figs. 24 and 28 if those elements were engaged.

Detailed Description of the Preferred Embodiments

THEORETICAL MODEL

15 The basic I-beam transmission line geometry is shown in Fig. 1. The description of this transmission line geometry as an I-beam comes from the vertical arrangement of the signal conductor shown generally at numeral 10 between the two horizontal dielectric 12 and 14 having a dielectric constant ϵ and ground planes 13 and 15 symmetrically placed at the top and bottom edges of the conductor. The sides
20 20 and 22 of the conductor are open to the air 24 having an air dielectric constant ϵ_0 . In a connector application the conductor would be comprised of two sections 26 and 28 which abut end to end or face to face. The thickness, t_1 and t_2 of the dielectric layers 12 and 14, to first order, controls the characteristic impedance of the transmission line and the aspect ratio of the overall height h to dielectric width w_d
25 controls the electric and magnetic field penetration to an adjacent contact. The aspect ratio to minimize coupling beyond A and B is approximately unity as illustrated in Fig. 1. The lines 30, 32, 34, 36 and 38 in Fig. 1 are equipotentials of voltage in the air-dielectric space. Taking an equipotential line close to one of the ground planes and following it out towards the boundaries A and B, it will be seen that both boundary A

are very close to the ground potential. This means that at both boundary A and boundary B we have virtual ground surfaces and if two or more I-beam modules are placed side by side, a virtual ground surface exists between the modules and there will be no coupling between the modules. In general, the conductor width w_C and dielectric thickness should be small compared to the dielectric width or module pitch.

Given the mechanical constraints on a practical connector design, the proportioning of the signal conductor (blade/beam contact) width and dielectric thicknesses will, of necessity, deviate somewhat from the preferred ratios and some minimal coupling will exist between adjacent signal conductors. However, designs using the basic I-beam guidelines will have lower cross talk than more conventional approaches. Referring to Fig. 1a, an alternate embodiment is shown in which the dielectric is shown at 12' and 14' with their respective ground planes at 13' and 15'. In this embodiment the conductor 26' and 28' extend respectively from dielectric layers 12' and 14', but the conductors 26' and 28' abut side to side rather than end to end. An example of a practical electrical and mechanical I-beam design for a .025 inch pitch connector uses 8 x 8 mil beams 26" and 8 x 8 mil blades 28", which when mated, form an 8 x 16 mil signal contact and the contact cross-section is shown in Fig. 2. The dielectric thickness, t , is 12 mils. The voltage equipotentials for this geometry are shown in Fig. 3 where virtual grounds are at the adjacent contact locations and some coupling will now exist between adjacent contacts.

Referring to Fig. 2, the I-beam transmission geometry is shown as being adapted to a less than ideally proportioned multi-conductor system. Signal conductors 40, 42, 44, 46 and 48 extend perpendicularly between two dielectric and horizontal ground planes 50 and 52 which have a dielectric ϵ . To the sides of the conductors are air spaces 54, 56, 58, 60, 62 and 64.

Referring to Fig. 3, another multi-conductor connector is shown wherein there are parallel conductors 66, 68 and 70 which extend perpendicularly between two dielectric and horizontal ground planes 72 and 74. To the sides of the conductors are air spaces 76, 78, 80 and 82.

ELECTRICAL CONNECTOR

Referring particularly to Figs. 4 to 12 it will be seen that the connector of the present invention is generally comprised of a plug shown generally at numeral 90 and a receptacle shown generally at numeral 92. The plug consists of a preferably metallic plug housing 94 which has a narrow front section 96 and a wide rear section 98. The front section has a top side 100 and a bottom side 102. The wide rear section has a top side 104 and a bottom side 106. The plug also has end surfaces 108 and 110. On the top side of both the front and rear sections there are longitudinal grooves 112, 114, 116 and 118 and 119. In these grooves there are also apertures 120, 122, 124 and 126. Similarly on the bottom sides of both the front and rear section there are longitudinal grooves as at 128 which each have apertures as at 130. On the top sides there is also a top transverse groove 132, while on the bottom side there is a similarly positioned bottom transverse groove 134. The plug also has rear standoffs 136 and 138. Referring particularly to Fig. 9 it will be seen that the plug includes a dielectric element 140 which has a rear upward extension 142 and a rear downward extension 144 as well as a major forward extension 146 and a minor forward extension 148. The housing also includes opposed downwardly extending projection 150 and upwardly extending projection 152 which assist in retaining the dielectric in its position. In the longitudinal grooves on the top side of the plug there are top axial ground springs 154, 156, 158, 160 and 162. In the transverse groove there is also a top transverse ground spring 164. This transverse ground spring is fixed to the housing by means of ground spring fasteners 166, 168, 170 and 172. At the rearward terminal ends of the longitudinal ground springs there are top grounding contacts 176, 178, 180, 182 and 184. Similarly the grooves on the bottom side of the plug there are bottom longitudinal ground springs 186, 188, 190, 192 and 194. In the bottom transverse groove there is a bottom transverse ground spring 196 as with the top transverse ground spring, this spring is fixed in the housing by means of ground spring fasteners 198, 200, 202, 204 and 206. At the rear terminal ends of the ground springs there are bottom ground contacts 208, 210, 212, 214 and 216. The plug also includes a metallic contact

section shown generally at 218 which includes a front recessed section 220, a medial contact section 222 and a rearward signal pin 224. An adjacent signal pin is shown at 226. Other signal pins are shown, for example, in Fig. 7 at 228, 230, 232, 234 and 236. These pins pass through slots in the dielectric as at 238, 240, 242, 244, 246, 248 and 250. The dielectric is locked in place by means of locks 252, 254, 256 and 258 which extend from the metal housing. Referring again particularly to Fig. 9 the plug includes a front plug opening 260 and top and bottom interior plug walls 262 and 264. It will also be seen from Fig. 9 that a convex section of the ground springs as at 266 and 268 extend through the apertures in the longitudinal grooves. Referring particularly to Figs. 10 through 12, it will be seen that the receptacle includes a preferably metallic receptacle housing 270 with a narrow front section 272 and a wider rear section 274. The front section has a topside 276 and a bottom side 278 and the rear section has a topside 280 and 282. The receptacle also has opposed ends 284 and 286. On the top sides of the receptacle there are longitudinal grooves 288, 290 and 292. Similarly on the bottom surface there are longitudinal grooves as at 294, 296 and 298. On the top surface there are also apertures as at 300, 302 and 304. On the bottom surface there are several apertures as at 306, 308 and 310. The receptacle also includes rear standoffs 312 and 314. Referring particularly to Fig. 12, the receptacle includes a dielectric element shown generally at numeral 316 which has a rear upward extension 318, a rear downward extension 320, a major forward extension 322 and a minor forward extension 324. The dielectric is retained in position by means of downward housing projection 326 and upward interior housing projection 328 along with rear retaining plate 330. Retained within each of the apertures there is a ground spring as at 332 which connects to a top ground post 334. Other top ground posts as at 336 and 338 are similarly positioned. Bottom ground springs as at 340 are connected to ground posts as at 342 while other ground posts as at 344 and 346 are positioned adjacent to similar ground springs. Referring particularly to Fig. 12, the receptacle also includes a metallic contact section shown generally at numeral 348 which has a front recess section 350, a medial contact section 352 and a rearward

signal pin 354. An adjacent pin is shown at 356. These pins extend rearwardly through slots as at 358 and 360. The dielectric is further retained in the housing by dielectric locks as at 362 and 364. The receptacle also includes a front opening 365 and an interior housing surface 366. Referring particularly to Fig. 13, this perspective
5 view of the receptacle shows the structure of the metallic contact section 350 in greater detail to reveal a plurality of alternating longitudinal ridges as at 367 and grooves 368 as at which engage similar structures on metallic contact 218 of the receptacle.

Referring particularly to Figs. 14 and 15, the plug and receptacle are shown respectively in a disengaged and in an engaged configuration. It will be observed that
10 the major forward extension 146 of the dielectric section of the plug abuts the minor forward extension of the dielectric section of the receptacle end to end. The major forward extension of the dielectric section of the receptacle abuts the minor forward extension of the dielectric section of the plug end to end. It will also be observed on the metallic section of the plug the terminal recess receives the metallic element of the
15 receptacle in side by side abutting relation. The terminal recess of the metallic contact element of the receptacle receives the metallic contact element of the plug in side by side abutting relation. The front end of the terminal housing abuts the inner wall of the plug. The ground springs of the plug also abut and make electrical contact with the approved front side walls of the receptacle. It will be noted that when the connector
20 shown in Fig. 15 where the plug and receptacle housings are axially engaged, the plug metallic contact and receptacle metallic contact extend axially inwardly respectively from the plug dielectric element and the receptacle dielectric element to abut each other. It will also be noted that the plug and receptacle dielectric elements extend radially outwardly respectfully from the plug and receptacle metallic contact elements.

25 Referring to Fig. 16, it will be seen that an alternate embodiment of the connector of the present invention is generally comprised of a plug shown generally at numerals 590 and a receptacle shown generally at numerals 592. The plug consists of a plug housing 594. There is also a plug ground contact 596, plug ground spring 598, plug signal pins 600 and 602, plug contact 606 and dielectric insert 608. The

receptacle consists of receptacle housing 610, receptacle ground contact 612, receptacle ground springs 614 and receptacle contact 616. An alignment frame 618 and receptacle signal pins 620 and 622 are also provided. It will be appreciated that this arrangement affords the same I-beam geometry as was described above.

5

COMPARATIVE TEST

The measured near end (NEXT) and far end (FEXT) cross talk at the rise time of 35p sec, for a .05" pitch scaled up model of a connector made according to the foregoing first described embodiment are shown in Fig. 17. The valley in the NEXT wave form of approximately 7% is the near end cross talk arising in the I-beam section of the connector. The leading and trailing peaks come from cross talk at the input and output sections of the connector where the I-beam geometry cannot be maintained because of mechanical constraints.

The cross talk performance for a range of risetimes greater than twice the delay through the connector of the connector relative to other connector systems is best illustrated by a plot of the measured rise time-cross talk product (nanoseconds percent) versus signal density (signals/inch). The different signal densities correspond to different signal to ground ratio connections in the connector. The measured rise time-cross talk product of the scaled up .05" pitch model I-beam connector is shown in Fig. 18 for three signal to ground ratios; 1:1, 2:1, and all signals. Since the cross talk of the scaled up model is twice that of the .025 inch design, the performance of the .025 inch pitch, single row design is easily extrapolated to twice the density and one half the model cross talk. For the two row design, the density is four times that of the model and the cross talk is again one half. The extrapolated performance of the one row and two row .025 inch pitch connectors are also shown in Fig. 18 relative to that of a number of conventional connectors as are identified in that figure. The rise time cross talk product of the .025 inch pitch I-beam connector for all signals is .75 and is much less than that of the other interconnects at correspondingly high signal to ground ratios. Referring particularly to the .05 inch pitch model curve in Fig. 18, it will be

Fig. 18 relative to that of a number of conventional connectors as are identified in that figure. The rise time cross talk product of the .025 inch pitch I-beam connector for all signals is .75 and is much less than that of the other interconnects at correspondingly high signal to ground ratios. Referring particularly to the .05 inch pitch model curve in Fig. 18, it will be observed that the rise time cross-talk product is independent of signal density for signal to ground ratios greater than 1:1.

ELECTRICAL CABLE ASSEMBLY

Referring to Figs. 19 and 20, it will be seen that the beneficial results achieved with the connector of the present invention may also be achieved in a cable assembly. That is, a dielectric may be extruded in an I-beam shape and a conductor may be positioned on that I-beam on the web and the horizontal flanges so as to achieve low cross talk as was described above. I-beam dielectric extrusions are shown at numerals 369 and 370. Each of these extensions has a web 371 which is perpendicularly interposed at its upper and lower edges between flanges as at 372 and 373. The flanges have inwardly facing interior surfaces and outwardly facing exterior surfaces which have metallized top ground plane sections 374 and 376 and metallized bottom ground plane sections respectively at 378 and 380. The webs also have conductive layers on their lateral sides. I-beam extrusion 370 has vertical signal lines 382 and 384 and I-beam extrusion 374 has vertical signal lines 386 and 388. These vertical signal lines and ground plane sections will preferably be metallized as for example, metal tape. It will be understood that the pair of vertical metallized sections on each extrusion will form one signal line. The property of the I-beam geometry as it relates to impedance and cross talk control will be generally the same as is discussed above in connection with the connector of the present invention. Referring particularly to Fig. 20, it will be seen that the I-beam extrusions have interlocking steps as at 390 and 392 to maintain alignment of each I-beam element in the assembly. Referring to Fig. 21, I-beam elements shown generally at 394, 396 and 398 are metallized (not shown) as described above and may be wrapped in a foil and elastic insulative jacket shown generally at numeral 400. Because of the regular

alignment of the I-beam element in a collinear array, the I-beam cable assembly can be directly plugged to a receptacle without any fixturing of the cable except for removing the outer jacket of foil at the pluggable end. The receptacle can have contact beams which mate with blade elements made up of the ground and signal metallizations. Referring particularly to Fig. 23, it will be seen, for example, that the receptacle is shown generally at numeral 402 having signal contacts 404 and 406 received respectively vertical sections of I-beam elements 408 and 410. Referring to Fig. 22, the receptacle also includes ground contacts 412 and 414 which contact respectively the metallized top ground plane sections 416 and 418. It is believed that for the cable assembly described above rise time cross-talk product will be independent of signal density for signal to ground ratios greater than 1:1.

BALL GRID ARRAY CONNECTOR

The arrangement of dielectric and conductor elements in the I-beam geometry described herein may also be adapted for use in a ball grid array type electrical connector. A plug for use in such a connector is shown in Figs. 24 - 27. Referring to these figures, the plug is shown generally at numeral 420. This plug includes a dielectric base section 422, a dielectric peripheral wall 424, metallic signal pins as at 426, 428, 430, 432 and 434 are arranged in a plurality of rows and extend perpendicularly upwardly from the base section. Longitudinally extending metallic grounding or power elements 436, 438, 440, 442, 444 and 446 are positioned between the rows of signal pins and extend perpendicularly from the base section. The plug also includes alignment and mounting pins 448 and 450. On its bottom side the plug also includes a plurality of rows of solder conductive tabs as at 452 and 454.

Referring to Figs. 28 - 31, a receptacle which mates with the plug 420 is shown generally at numeral 456. This receptacle includes a base section dielectric 458, a peripheral recess 460 and rows of metallic pin receiving recesses as at 462, 464, 466, 468 and 470. Metallic grounding or power elements receiving structures 472, 474, 476, 478, 480 and 482 are interposed between the rows of pin receiving recesses. On its bottom side the receptacle also includes alignment and mounting pins 484 and 486

It will be appreciated that electrical connector has been described which by virtue of its I-beam shaped geometry allows for low cross talk and impedance control.

It will also be appreciated that an electrical cable has also been described which affords low cross talk and impedance control by reason of this same geometry.

5 While the present invention has been described in connection with the preferred embodiments of the various figures, it is to be understood that other similar embodiments may be used or modifications and additions may be made to the described embodiment for performing the same function of the present invention without deviating therefrom. Therefore, the present invention should not be limited to
10 any single embodiment, but rather construed in breadth and scope in accordance with the recitation of the appended claims.

Claims

WHAT IS CLAIMED IS:

- 5 1. An electrical connector comprising a first member comprising a metallic contact means and a dielectric base means wherein the metallic contact means projects generally perpendicularly from the dielectric base means and a second member comprising a second metallic contact means and a second dielectric base means wherein the second metallic contact means projects generally perpendicularly from the
- 10 second dielectric base means to be in electrical contact with the metallic contact means of the first member.
2. The electrical connector of claim 1 wherein dielectric base means of the first member and the second member each have a grounding means.
- 15 3. The electrical connector of claim 2 wherein the metallic contact means of the first member abuts the metallic contact means of the second member.
4. The electrical connector of claim 3 wherein a plurality of metallic contact means project from the dielectric base means of the first member in spaced parallel relation
- 20 and a plurality of metallic contact means project from the dielectric base means of the second member and each of said plurality of metallic means projecting from the first member is in electrical contact with one of said metallic contact means of said second member.
- 25 5. The electrical connector of claim 4 wherein each of said plurality of metallic contact means projecting from the first member abuts one of said plurality of metallic contact means projecting from the second member.

6. The electrical connector of claim 5 wherein the first member is a plug terminator means and the second member is a receptacle means.

7. The electrical connector of claim 6 wherein the plug includes a housing member
5 which surrounds the metallic contact member and dielectric member.

8. The electrical connector of claim 7 wherein the dielectric base member has a forward extension.

10 9. The electrical connector of claim 8 wherein the forward extension of the dielectric base member has a plurality of spaced parallel grooves and each of the plurality of metallic contact means is positioned in one of said plurality of spaced parallel grooves.

15 10. The electrical connector of claim 9 wherein the plug housing has a rear open end to expose the dielectric base means.

11. The electrical connector of claim 10 wherein the metallic contact means extend rearwardly through the dielectric base means to terminal rearward contacts.

20

12. The electrical connector of claim 11 wherein the plug is provided with a grounding means.

13. The electrical connector of claim 12 wherein the plug housing has an outer side
25 and the grounding means is a spring which extends along the outer side of the housing and extends rearwardly therefrom.

14. The electrical connector of claim 6 wherein the receptacle includes a housing member which surrounds the metallic contact member and dielectric member.

15. The electrical connector of claim 14 wherein the dielectric base member has a forward extension.

5 16. The electrical connector of claim 15 wherein the forward extension of the dielectric base member has a plurality of spaced parallel grooves and each of the plurality of metallic contact means is positioned in one of said plurality of spaced parallel grooves.

10 17. The electrical connector of claim 16 wherein the receptacle housing has a rear open end to expose the dielectric base means.

18. The electrical connector of claim 17 wherein the metallic contact means extend rearwardly through the dielectric base means to terminal rearward contacts.

15

19. The electrical connector of claim 18 wherein the receptacle is provided with a grounding means.

20. The electrical connector of claim 17 wherein the plug housing has an outer side and the grounding means is a spring which extends along the outer side of the housing and extends rearwardly therefrom.

25

21. The electrical connector of claim 3 wherein the metallic contact means of the first and second members both have ends and said contact means abut end to end.

22. The electrical connector of claim 3 wherein the metallic contact means of the first and second members both have opposed sides and said contact means abut side to side.

23. A method of reducing cross talk and controlling impedance in an electrical connector comprising the steps of providing a first and a second dielectric base means, connecting said first and second dielectric base means with metallic contact means oriented in perpendicular relation to said first and second dielectric base means
5 and grounding said first and second dielectric base means.

24. An electrical connector comprising:

- 10 (a) a plug member comprising a plug housing which at least partially encloses a conductive plug contact element and a plug dielectric element wherein said plug contact element extends axially inwardly from said plug dielectric element and said plug dielectric element extends radially outwardly in at least one direction from said plug contact element; and
- 15 (b) a receptacle member comprising a receptacle housing which at least partially encloses a conductive receptacle contact and a plug dielectric element wherein said receptacle contact element extends axially inwardly from said receptacle dielectric element and said receptacle dielectric element extends radially outwardly in at least one direction from said receptacle contact element and said receptacle housing axially engages said plug housing and said receptacle contact element abuts said plug
20 contact element.

25. The electrical connector of claim 24 wherein the conductive plug contact and the conductive receptacle contact extend generally perpendicularly from respectively the plug dielectric element and the receptacle dielectric element.

25

26. The electrical connector of claim 24 wherein means for grounding the plug dielectric element and the receptacle dielectric element are provided.

27. The electrical connector of claim 24 wherein the plug housing and the receptacle housing are metallic.

28. The electrical connector of claim 24 wherein the plug contact element and the
5 receptacle contact element extend axially outwardly through respectively the plug dielectric element and the receptacle dielectric element to terminate respectively in at least one plug signal pins and in at least one receptacle signal pin.

29. An electrical connector in which rise time cross-talk product is independent of
10 signal density for signal to ground ratios greater than 1:1.

30. An electrical cable assembly comprising a metallic element generally perpendicularly interposed between opposed dielectric elements.

15 31. The electrical cable assembly of claim 30 wherein the opposed dielectric elements includes grounding means.

32. The electrical cable assembly of claim 31 wherein a central dielectric support web is perpendicularly interposed between the opposed dielectric elements and the
20 metallic element is fixed to the central dielectric support web.

33. The electrical cable assembly of claim 32 wherein the opposed dielectric elements are flanges.

25 34. The electrical cable assembly of claim 33 wherein the flanges extend laterally from the dielectric elements.

35. The electrical cable assembly of claim 34 wherein the metallic element extends adjacent the web from one of said opposed dielectric elements to said other opposed dielectric element.

5 36. The electrical cable assembly of claim 35 wherein the web has two opposed lateral surfaces and the metallic element is fixed to at least one of said surfaces.

37. The electrical cable assembly of claim 36 wherein the metallic element is fixed to both of said lateral surfaces of the web.

10

38. The electrical cable assembly of claim 37 wherein the opposed lateral surfaces of the web are metallized.

15

39. The electrical cable assembly of claim 38 wherein the opposed dielectric elements have grounding surfaces.

40. The electrical cable assembly of claim 39 wherein the opposed dielectric elements have opposed dielectric exterior metallized surfaces.

20

41. The electrical cable assembly of claim 40 wherein said cable assembly is positioned in generally parallel adjacent relation to a second cable assembly and said second cable assembly comprises a metallic element generally perpendicularly interposed between opposed dielectric elements.

25

42. The composite electrical cable assembly of claim 41 wherein the opposed dielectric elements of the second cable assembly includes grounding means.

43. The composite electrical cable assembly of claim 42 wherein in the second cable assembly a central dielectric support web is perpendicularly interposed between

the opposed dielectric elements and the metallic element is fixed to the central dielectric support web.

44. The composite electrical cable assembly of claim 43 wherein in the second
5 cable assembly the opposed dielectric elements are flanges.

45. The composite electrical cable assembly of claim 44 wherein the opposed dielectric elements in the second cable assembly have grounding surfaces.

10 46. The composite electrical cable assembly of claim 45 wherein flanges on the second cable assembly are in end to end abutting relation to flanges on the first cable assembly.

47. The composite electrical cable assembly of claim 46 wherein said composite
15 electrical cable assembly is enclosed within an insulative sheath.

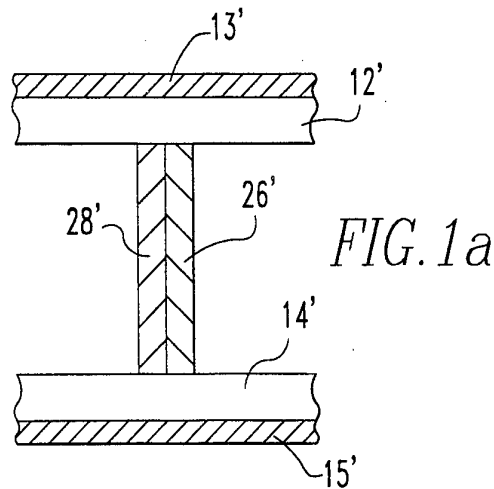
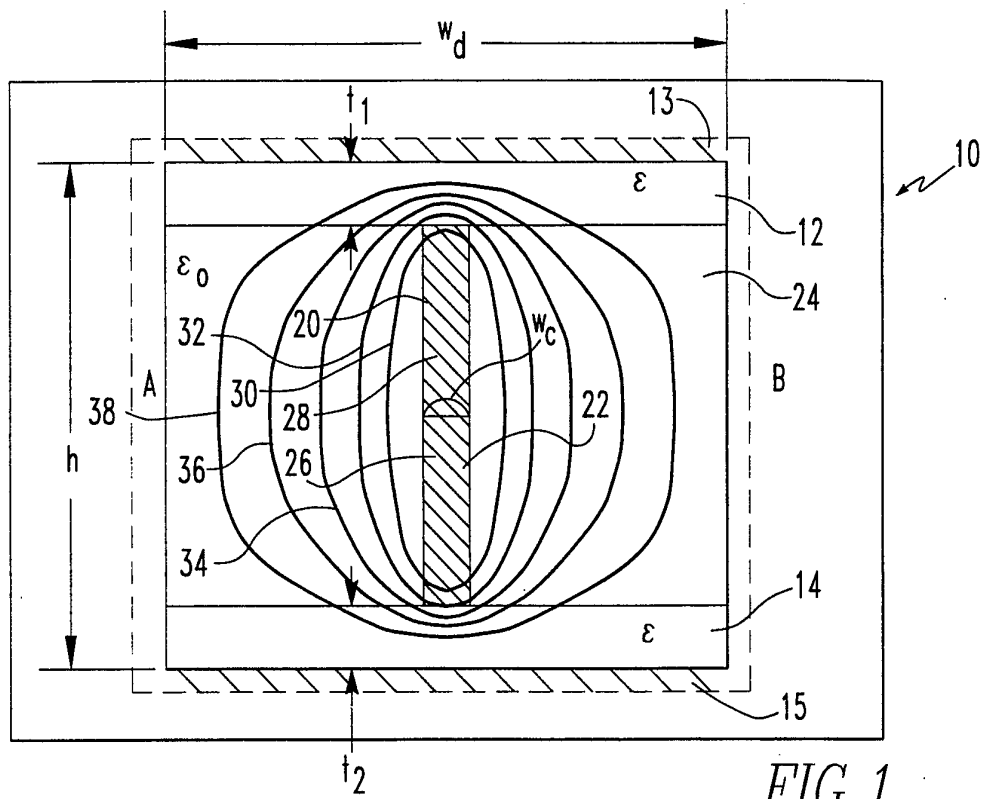
48. The electrical cable assembly of claim 40 wherein the cable assembly is engaged by a receptacle which has two opposed contacts which engage the metallized sides of the web.

20

49. The electrical cable assembly of claim 48 wherein the receptacle has ground contact means which contact the opposed dielectric exterior metallized surfaces.

50. A method of reducing cross talk and controlling impedance in an electrical cable
25 assembly having a conductor means carrying electrical signals comprising the steps of providing a first and a second dielectric base means and interposing said electrical conductor means between said first and second dielectric base means in generally perpendicular relation and providing a means for grounding said first and second dielectric base means.

51. An electrical cable assembly comprising:
- (a) a pair of spaced parallel elongated dielectric flange elements each having an inwardly facing interior surface and an opposed exterior surface;
 - (b) a conductive layer superimposed over at least part of the exterior surfaces of said flange elements;
 - (c) an elongated central dielectric web element having opposed edges and opposed lateral sides and being perpendicularly interposed between said dielectric flange elements such that each of said opposed edges is fixed to one of the inner surfaces of the dielectric flange elements; and
 - (d) a conductive layer superimposed over at least part of one of the lateral surfaces of the web element.
52. An electrical cable assembly in which rise time cross-talk product is independent of signal density for signal to ground ratios greater than 1:1.



SUBSTITUTE SHEET (RULE 26)

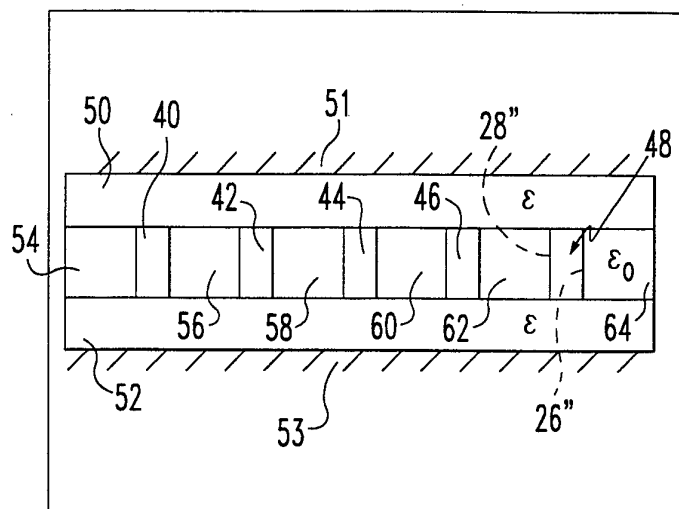


FIG.2

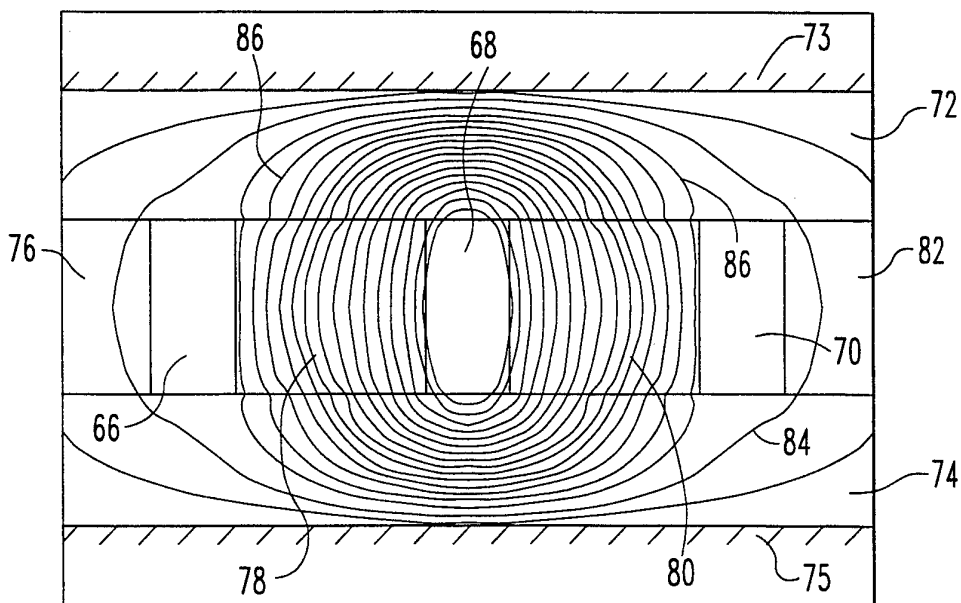


FIG.3

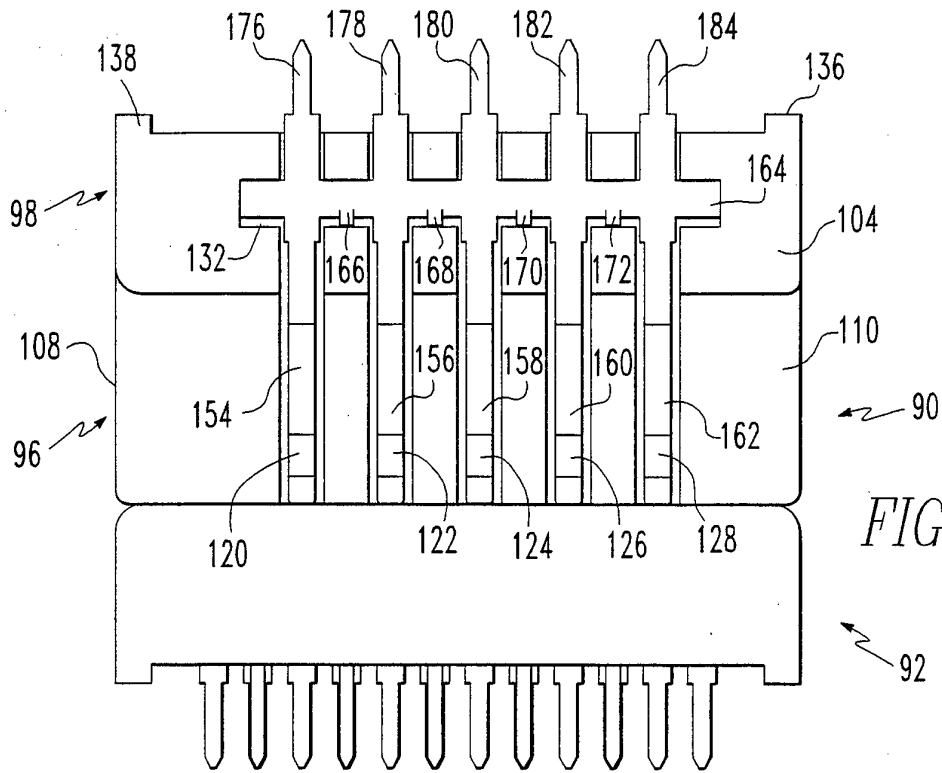


FIG. 4

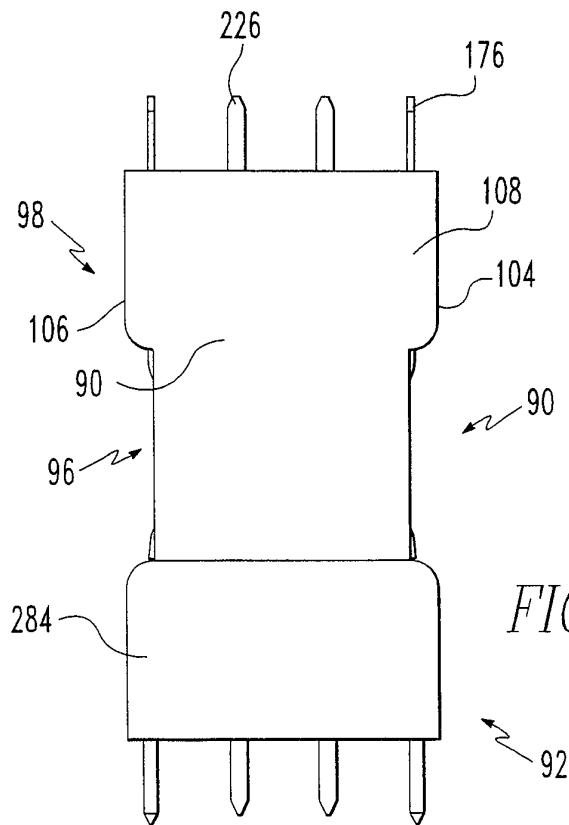


FIG. 5

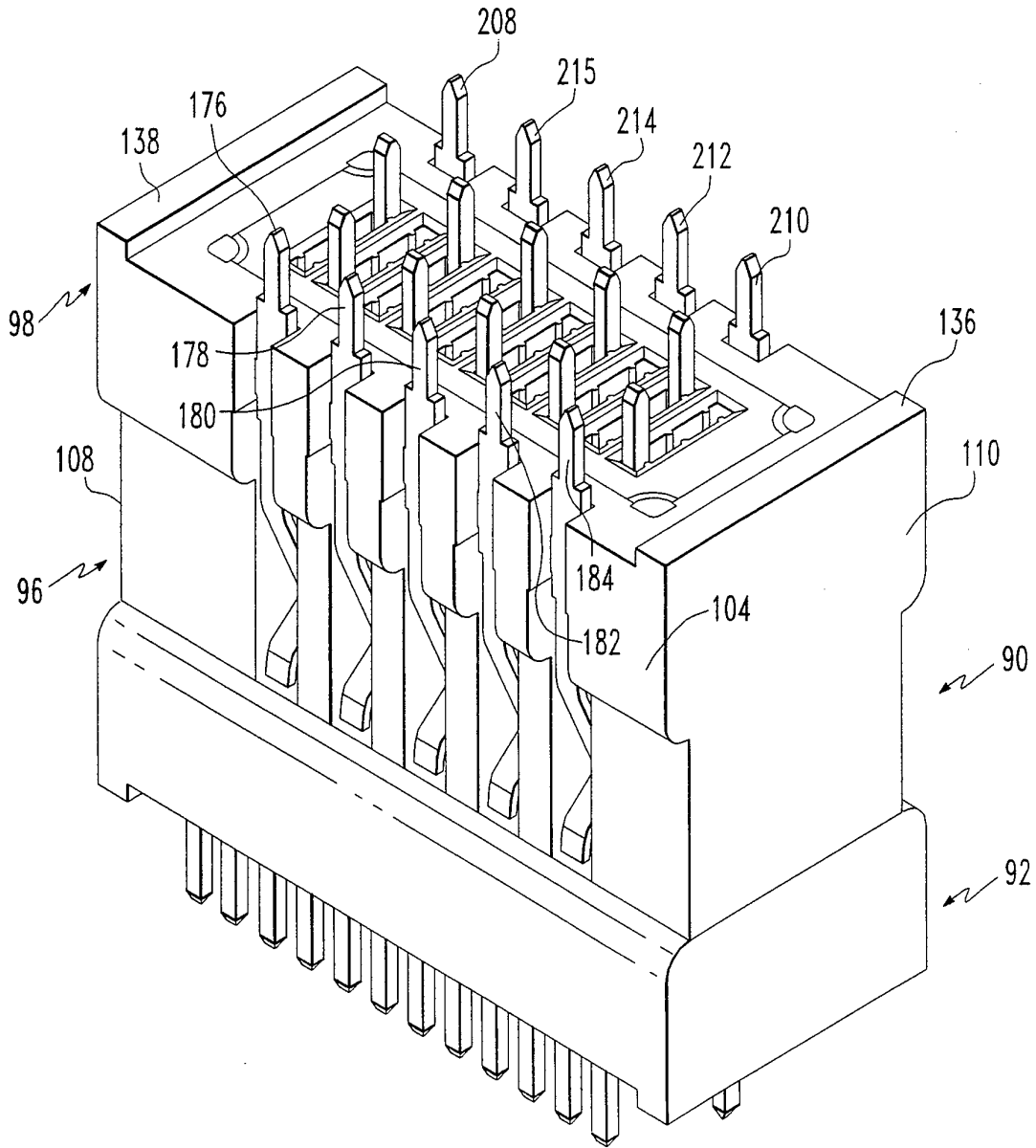
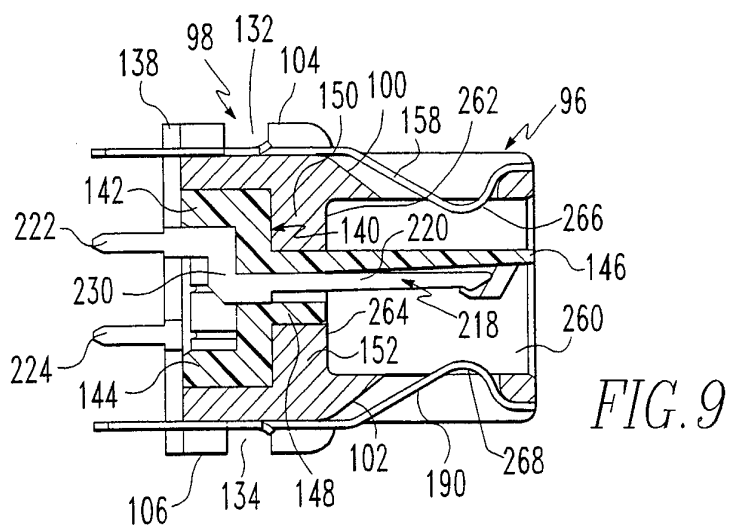
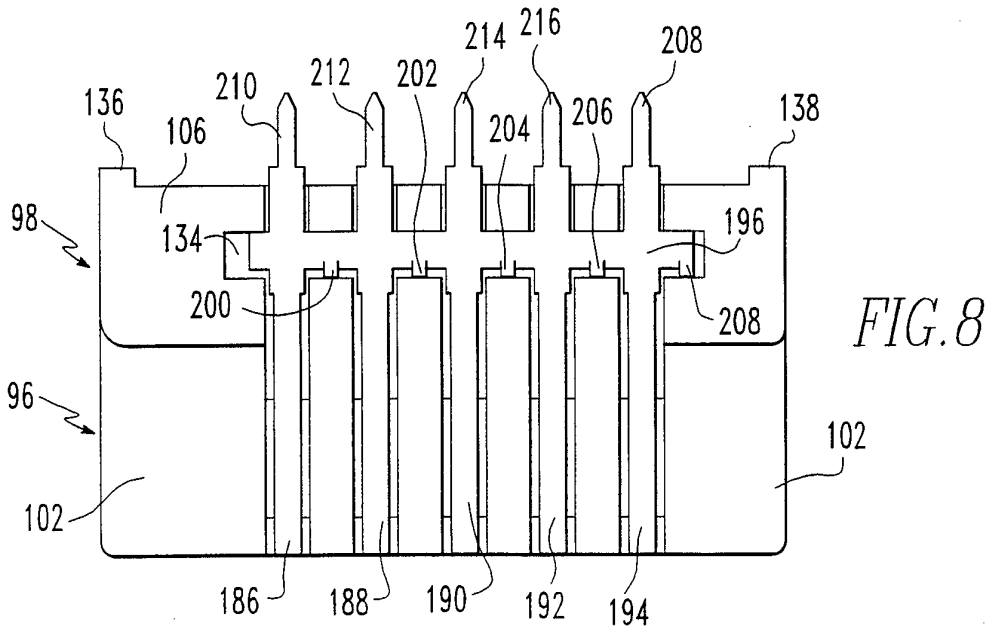
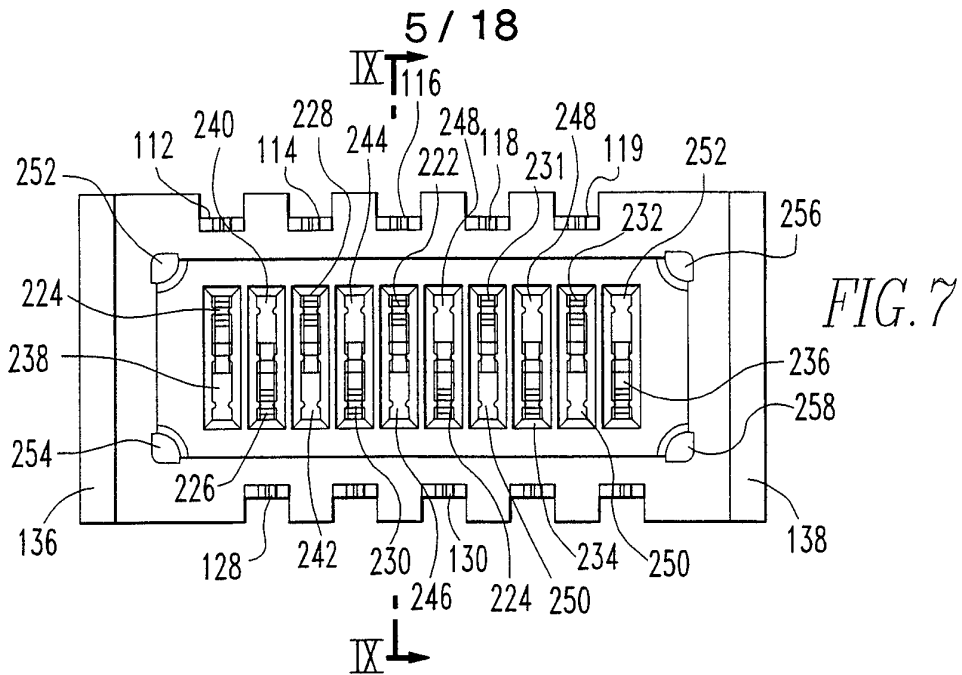


FIG. 6



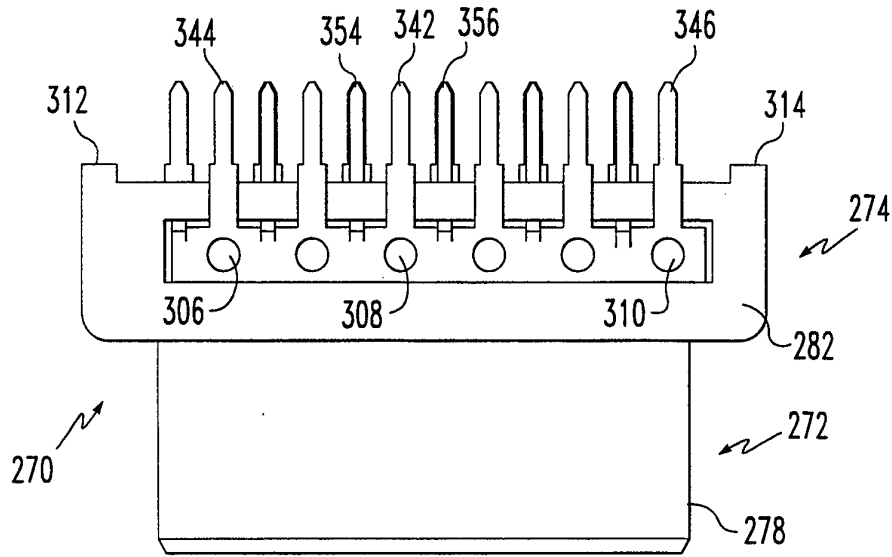
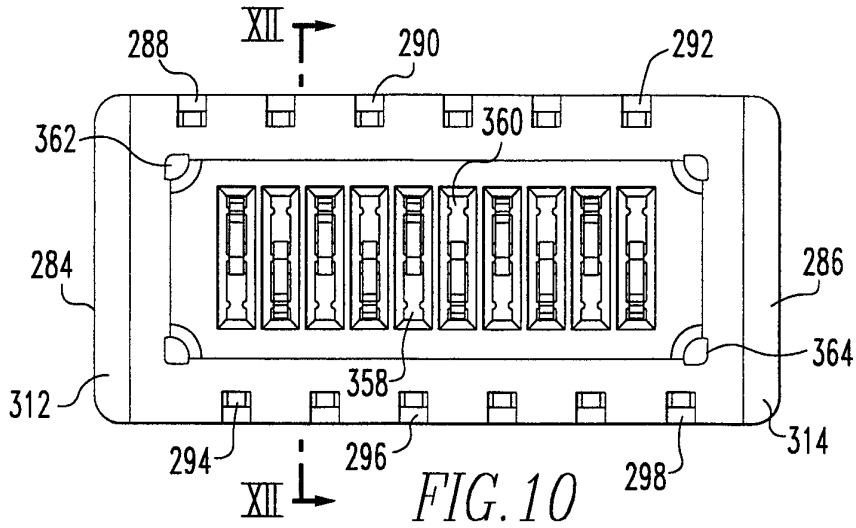


FIG. 11

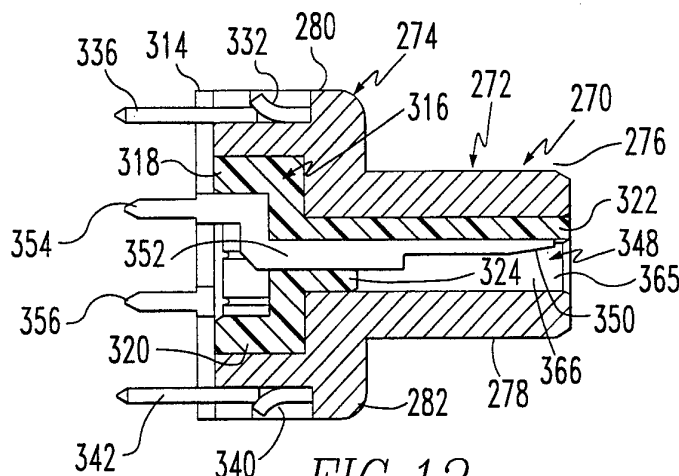


FIG. 12

7 / 18

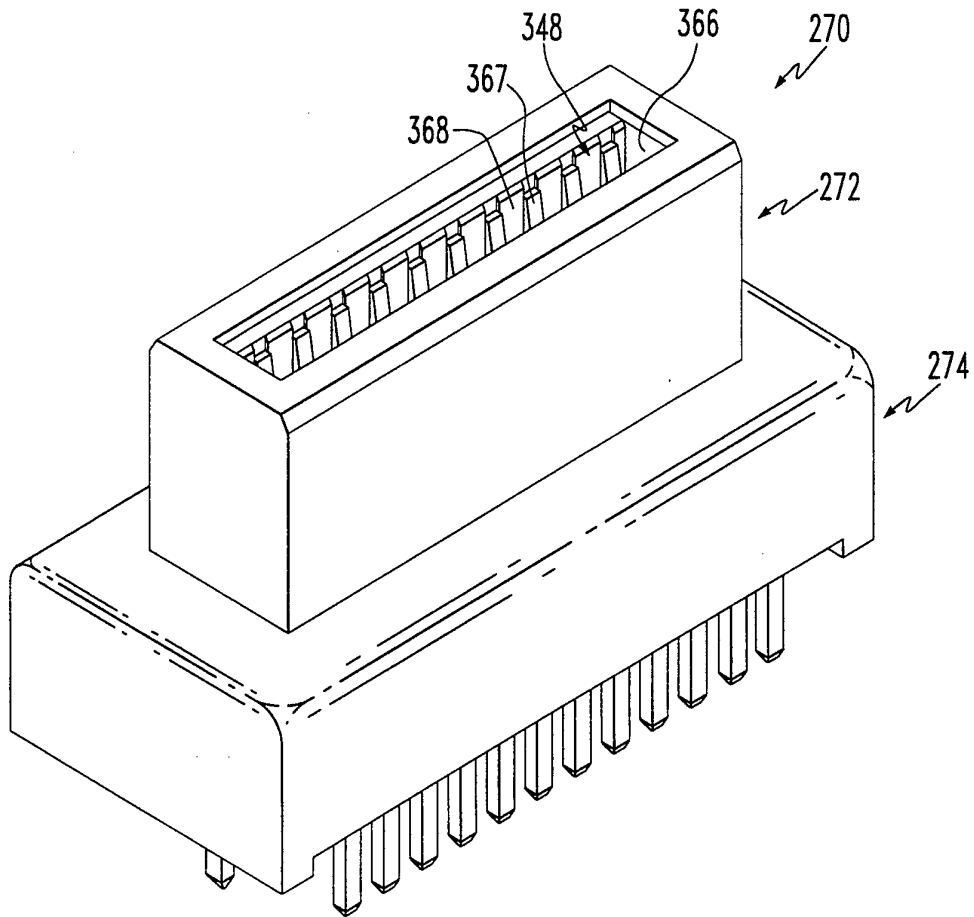


FIG. 13

8 / 18

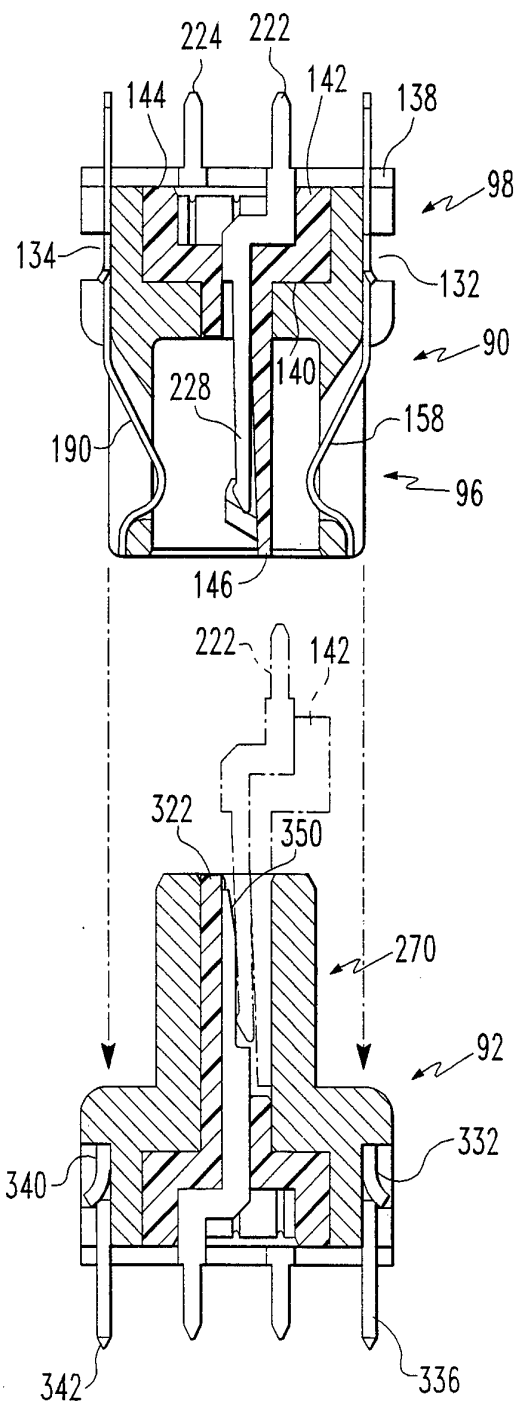


FIG. 14

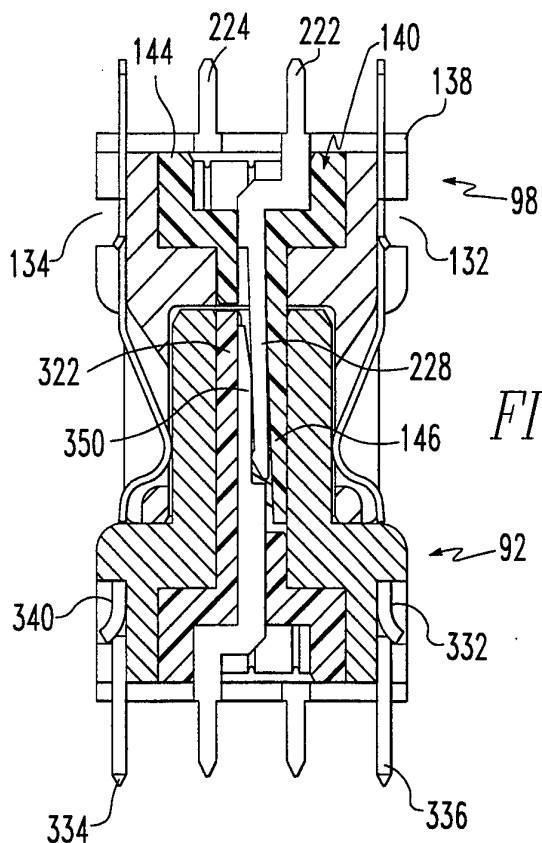


FIG. 15

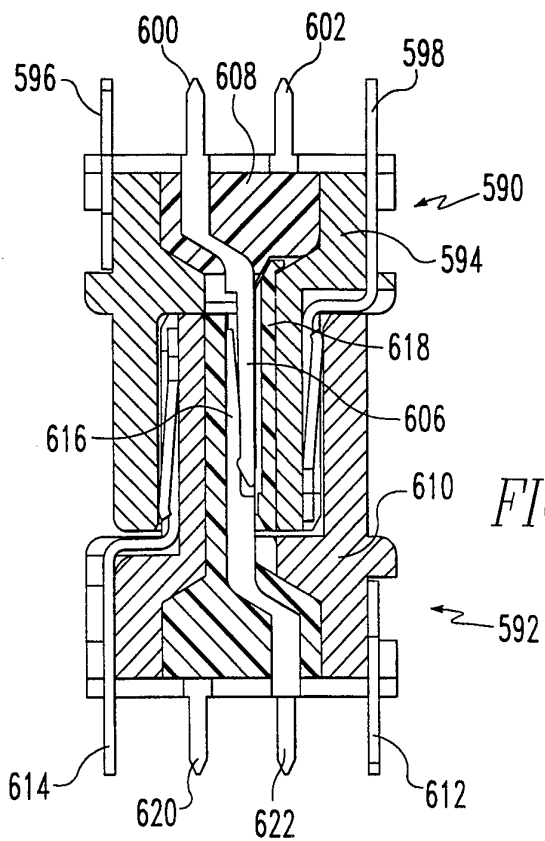
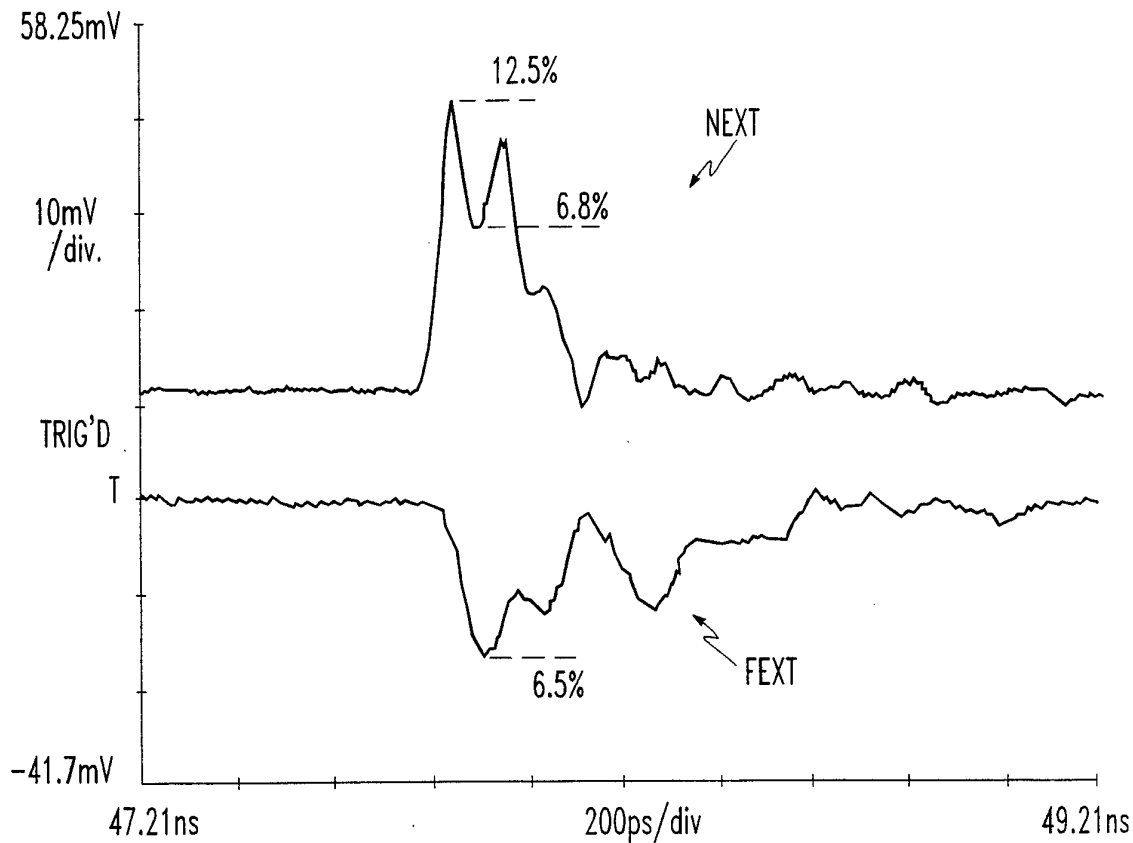


FIG. 16

10 / 18



MEASURED CROSSTALK
AT 35 PSEC.

FIG. 17

11 / 18

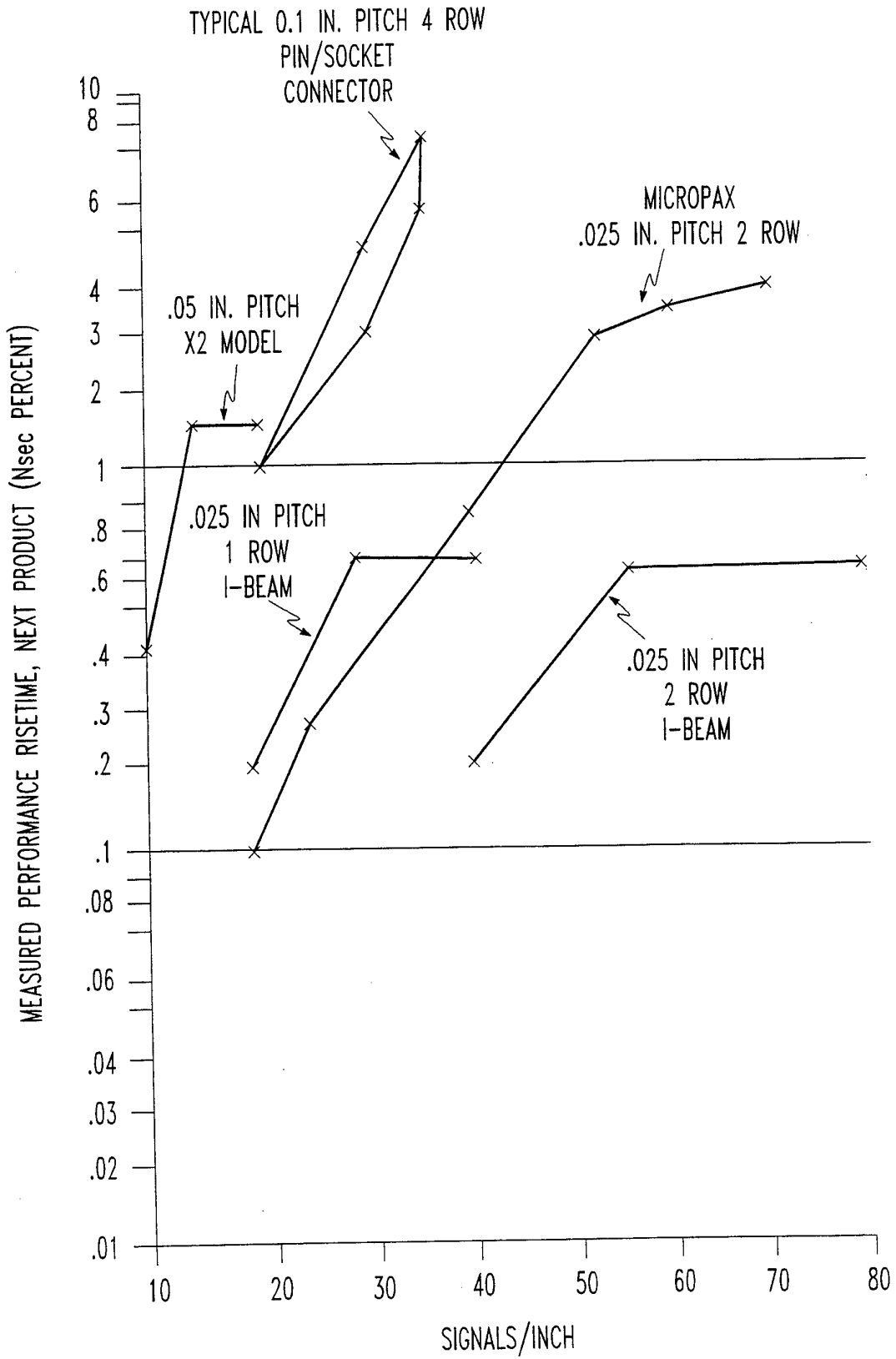


FIG. 18

12 / 18

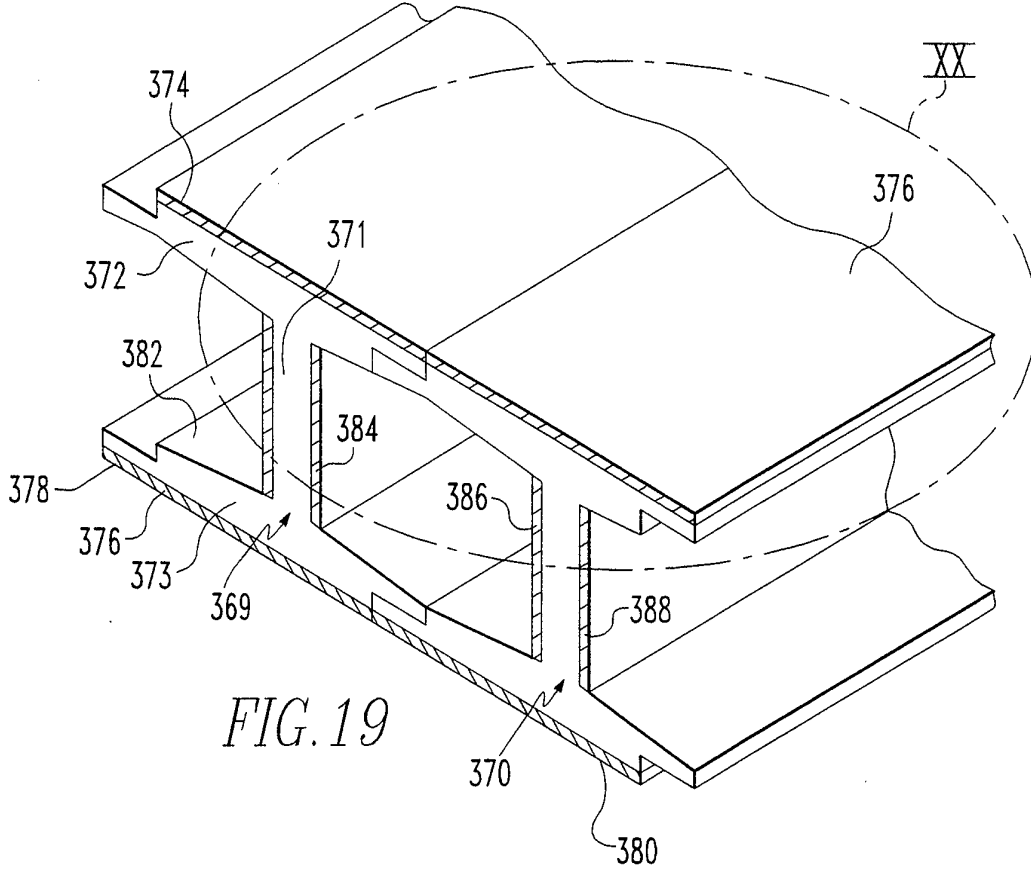


FIG. 19

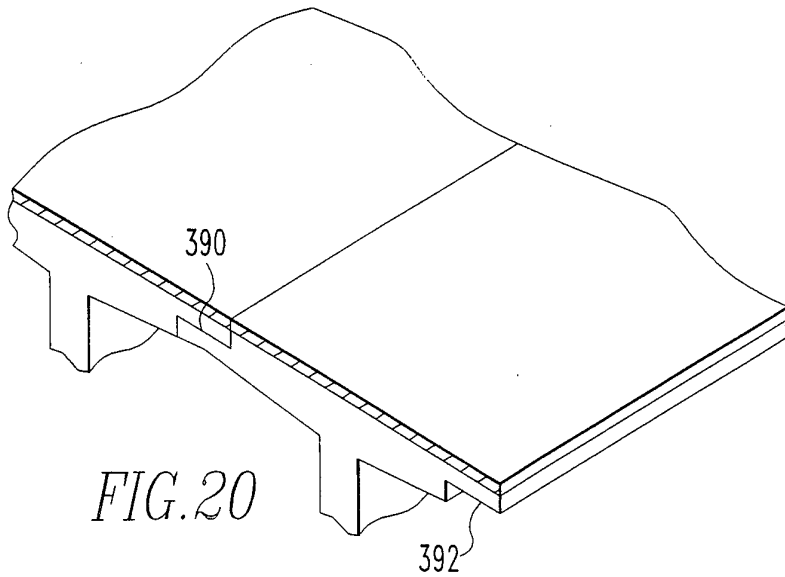


FIG. 20

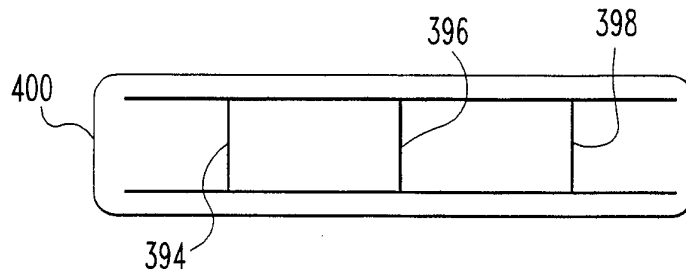


FIG. 21

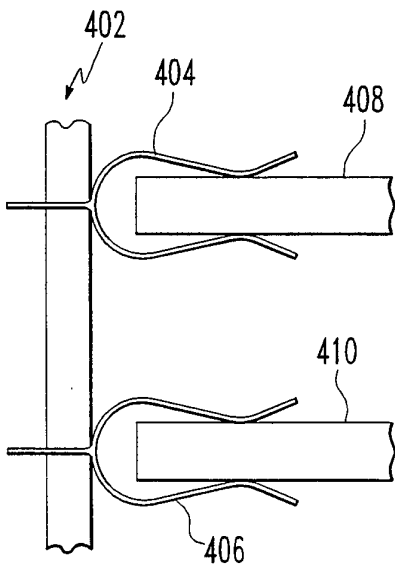


FIG. 22

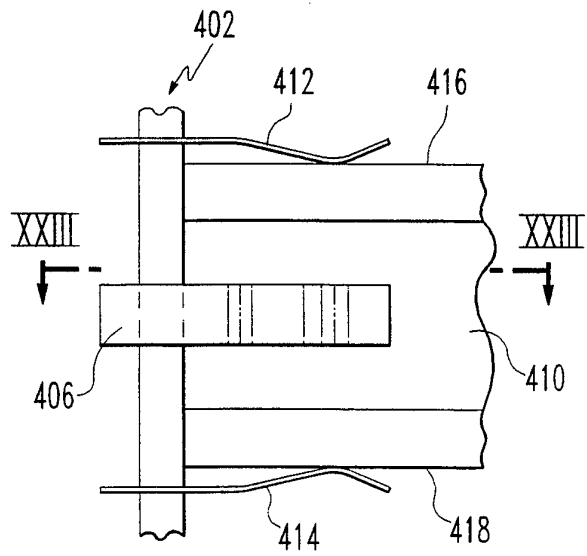


FIG. 23

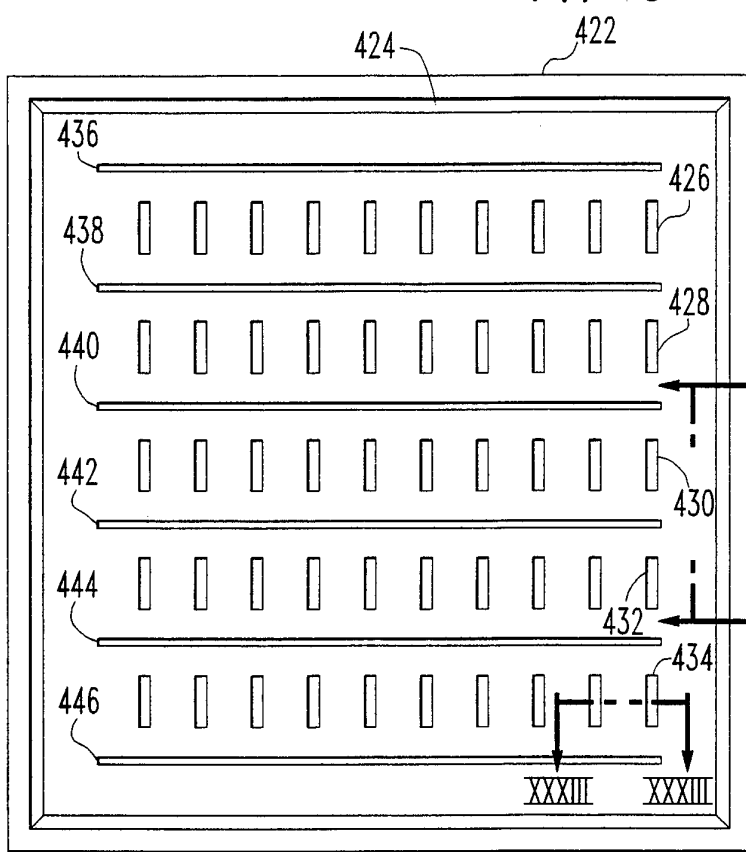


FIG. 24

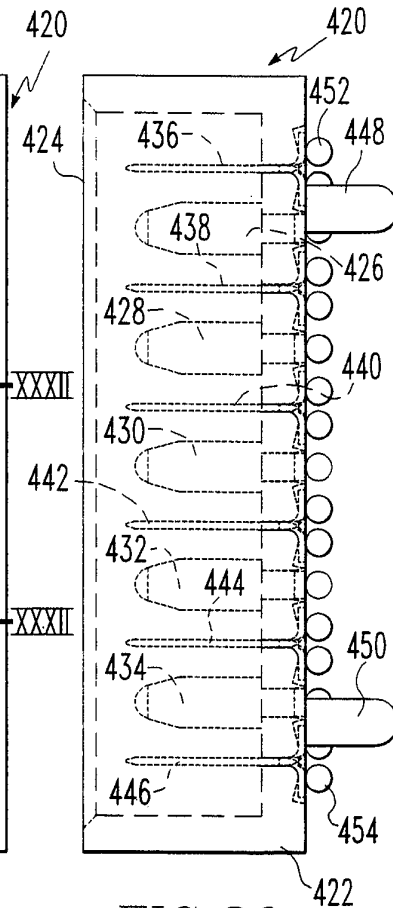


FIG. 26

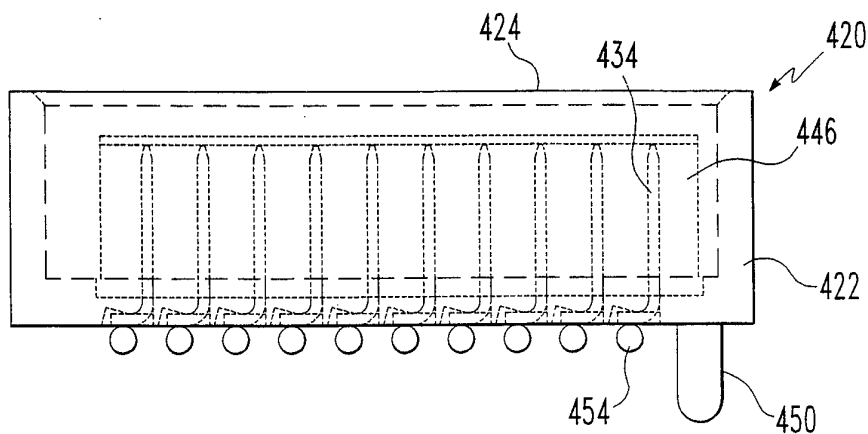


FIG. 27

15 / 18

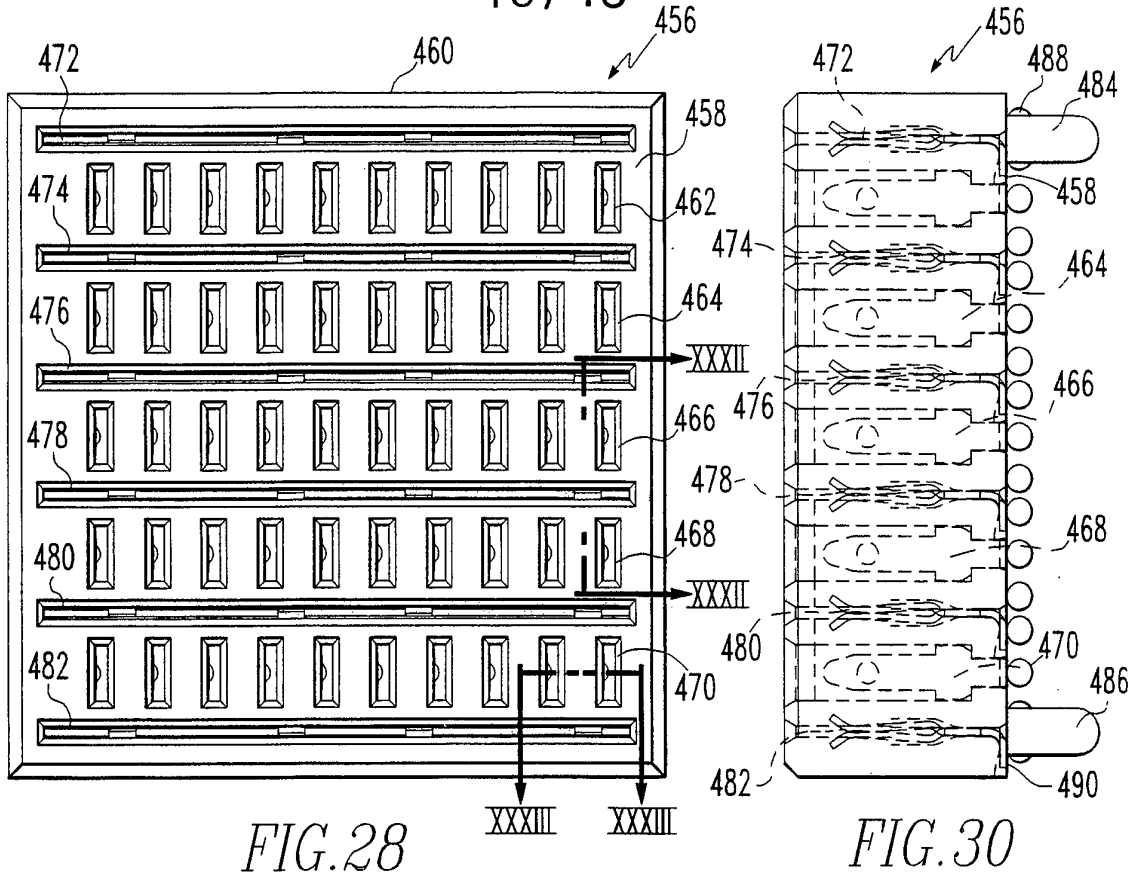


FIG. 28

FIG. 30

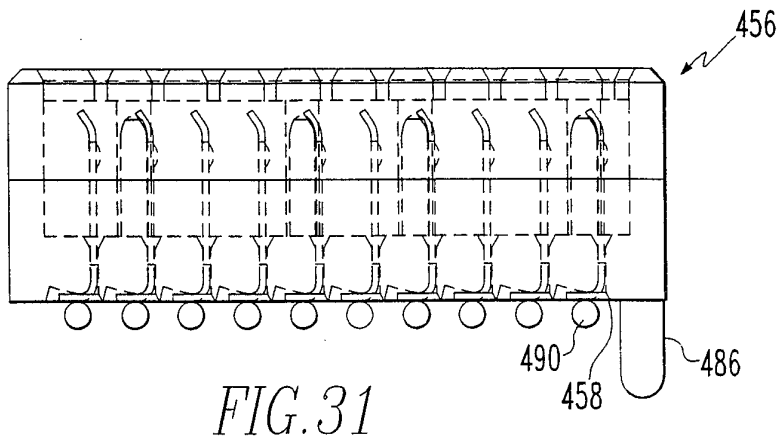


FIG. 31

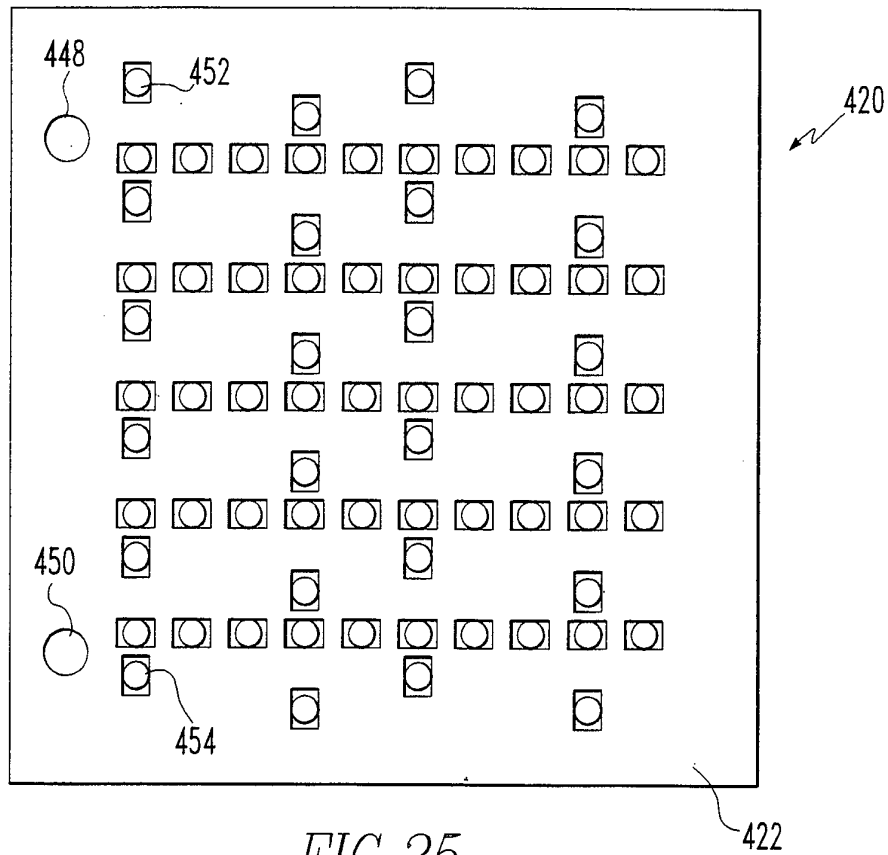


FIG. 25

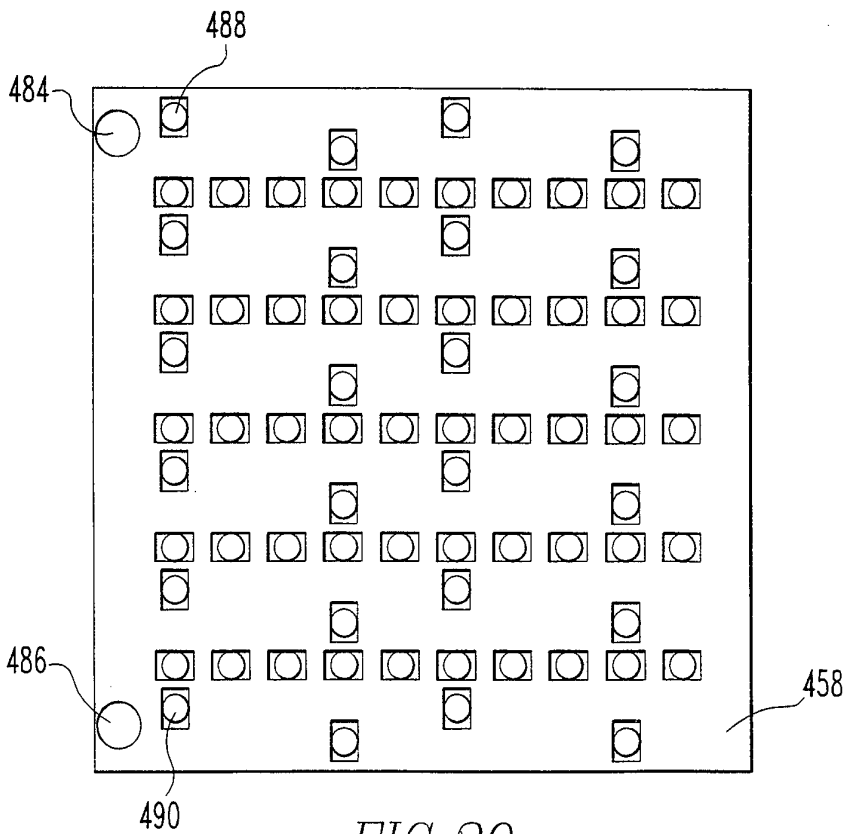


FIG. 29

17 / 18

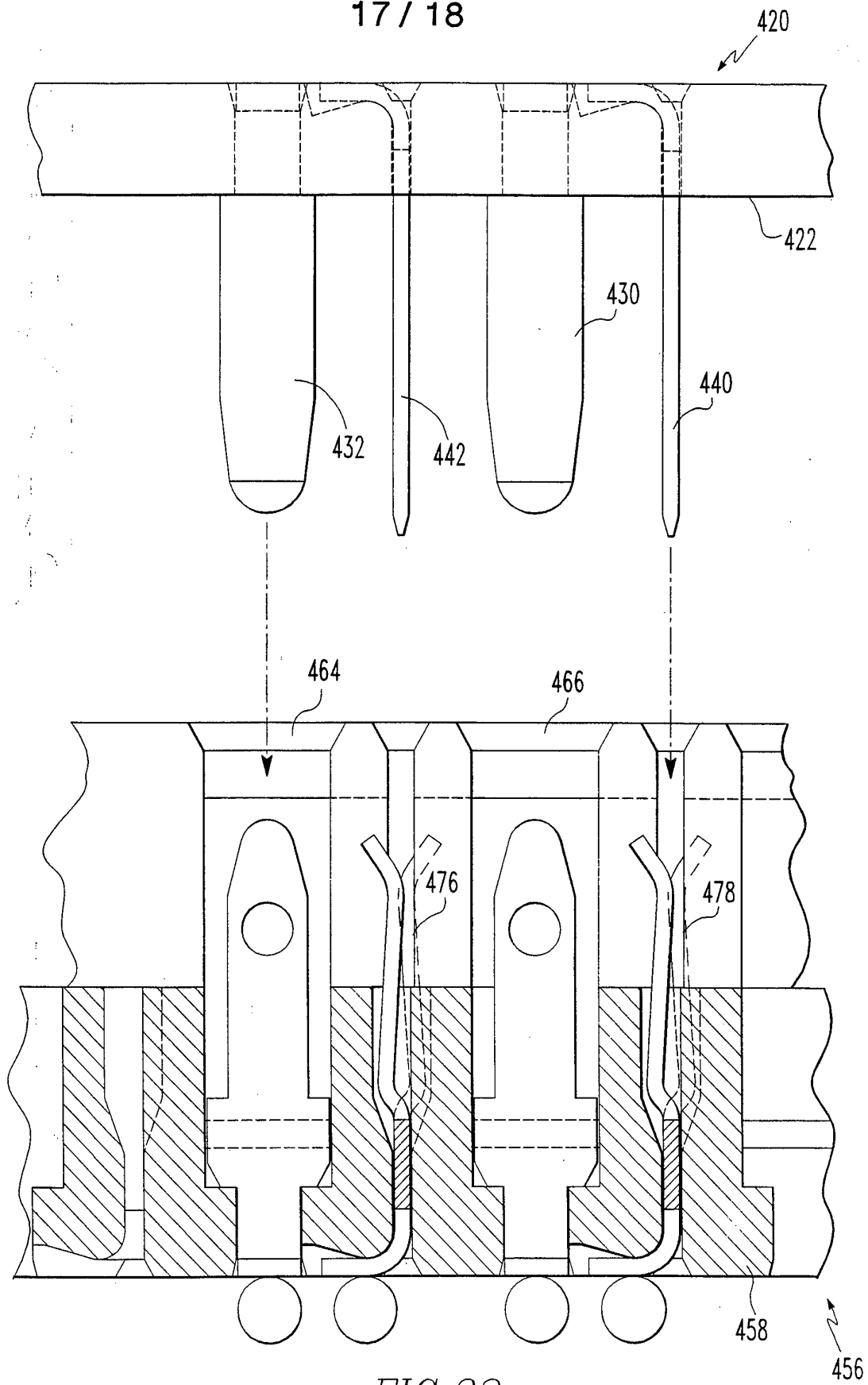


FIG. 32

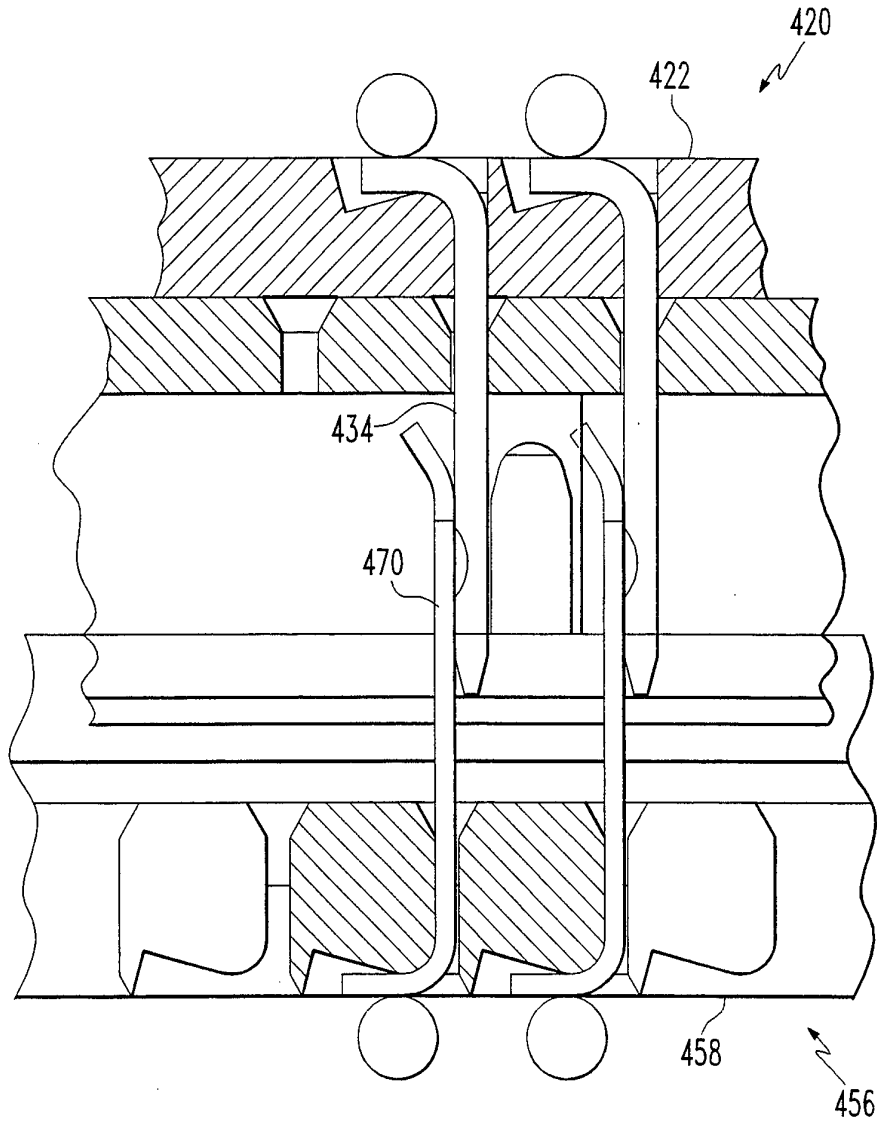


FIG. 33

INTERNATIONAL SEARCH REPORT

International application No.
PCT/US96/10210

A. CLASSIFICATION OF SUBJECT MATTER IPC(6) :HO1R 13/652; HO1B 7/00 US CL :439/101, 108, 607, 608, 941; 174/32, 33, 34 According to International Patent Classification (IPC) or to both national classification and IPC		
B. FIELDS SEARCHED Minimum documentation searched (classification system followed by classification symbols) U.S. : 439/101, 108, 607, 608, 941; 174/32, 33, 34 Documentation searched other than minimum documentation to the extent that such documents are included in the fields searched Electronic data base consulted during the international search (name of data base and, where practicable, search terms used)		
C. DOCUMENTS CONSIDERED TO BE RELEVANT		
Category*	Citation of document, with indication, where appropriate, of the relevant passages	Relevant to claim No.
X	US, A, 5174,770 (SASAKI ET AL) 29 DECEMBER 1992, col. 3, lines 46-65, fig. 3c.	1-3, 22, 23, 29
X	US, A, 5,036,160 (JACKSON) 30 JULY 1991, col. 4, lines 36-51, fig. 3.	30-32, 50, 52
A	US, A, 4,188,080 (STREBLE) 12 FEBRUARY 1980.	1-29
A	US, A, 4,785,135 (ECKER ET AL) 15 NOVEMBER 1988.	30-52
A	US, A, 4,798,918 (KABADI ET AL) 17 JANUARY 1989.	30-52
A	US, A, 4,932,888 (SENR) 12 JUNE 1990.	1-29
A	US, A, 5,012,047 (DOHYA) 30 APRIL 1991.	30-52
<input checked="" type="checkbox"/> Further documents are listed in the continuation of Box C. <input type="checkbox"/> See patent family annex.		
* Special categories of cited documents: "A" document defining the general state of the art which is not considered to be of particular relevance "E" earlier document published on or after the international filing date "L" document which may throw doubts on priority claim(s) or which is cited to establish the publication date of another citation or other special reason (as specified) "O" document referring to an oral disclosure, use, exhibition or other means "P" document published prior to the international filing date but later than the priority date claimed	"T" later document published after the international filing date or priority date and not in conflict with the application but cited to understand the principle or theory underlying the invention "X" document of particular relevance; the claimed invention cannot be considered novel or cannot be considered to involve an inventive step when the document is taken alone "Y" document of particular relevance; the claimed invention cannot be considered to involve an inventive step when the document is combined with one or more other such documents, such combination being obvious to a person skilled in the art "&" document member of the same patent family	
Date of the actual completion of the international search 02 SEPTEMBER 1996	Date of mailing of the international search report 18 SEP 1996	
Name and mailing address of the ISA/US Commissioner of Patents and Trademarks Box PCT Washington, D.C. 20231 Facsimile No. (703) 305-3230	Authorized officer GARY E. ELKINS Telephone No. (703) 308-1148	

Sheila Vencey
Sheila Vencey
 Paralegal Specialist
 Group 3200

INTERNATIONAL SEARCH REPORT

International application No.
PCT/US96/10210

C (Continuation). DOCUMENTS CONSIDERED TO BE RELEVANT		
Category*	Citation of document, with indication, where appropriate, of the relevant passages	Relevant to claim No.
A	US, A, 5,055,069 (TOWNSEND ET AL) 08 OCTOBER 1991.	1-29
A	US, A, 5,133,679 (FUSSELMAN ET AL) 28 JULY 1992.	1-29
A	US, A, 5,286,212 (BROEKSTEEG) 15 FEBRUARY 1994.	1-29
A	US, A, 5,357,050 (BARAN ET AL) 18 OCTOBER 1994.	30-52