



US00D802731S

(12) **United States Design Patent** (10) **Patent No.:** **US D802,731 S**  
**Arnold, Jr.** (45) **Date of Patent:** **\*\* \*Nov. 14, 2017**

(54) **CHIMNEY POT**  
(71) Applicant: **John G. Arnold, Jr.**, Tulsa, OK (US)  
(72) Inventor: **John G. Arnold, Jr.**, Tulsa, OK (US)  
(\* ) Notice: This patent is subject to a terminal disclaimer.  
(\*\*) Term: **15 Years**  
(21) Appl. No.: **29/559,089**  
(22) Filed: **Mar. 24, 2016**  
(51) **LOC (10) Cl.** ..... **23-04**  
(52) **U.S. Cl.**  
USPC ..... **D23/374**  
(58) **Field of Classification Search**  
USPC ..... D23/314, 351, 355, 364, 370–397,  
D23/398–403, 415–418, 499  
CPC ..... F24F 7/02; F24F 7/025; F23J 2213/50  
See application file for complete search history.

D440,299 S \* 4/2001 Tseng ..... D23/402  
D488,550 S \* 4/2004 Taylor ..... D23/374  
D503,471 S \* 3/2005 Huta ..... D23/398  
D521,630 S \* 5/2006 Achen ..... D23/386  
D535,010 S \* 1/2007 Arnold, Jr. .... D23/374  
D562,959 S \* 2/2008 Burns ..... D23/374  
D592,298 S 5/2009 Arnold, Jr.  
D619,237 S 7/2010 Arnold, Jr.  
D624,045 S 9/2010 Lee et al.  
D627,045 S \* 11/2010 Arnold, Jr. .... D23/374  
D677,375 S \* 3/2013 Arnold, Jr. .... D23/373  
D678,498 S \* 3/2013 Proulx ..... D23/373  
8,696,416 B1 \* 4/2014 Arnold, Jr. .... F23L 17/04  
454/12  
D704,816 S \* 5/2014 Butler ..... D23/373  
(Continued)

(56) **References Cited**  
U.S. PATENT DOCUMENTS  
181,936 A \* 9/1876 Greaves ..... F23L 17/02  
454/36  
D42,178 S \* 2/1912 Roy ..... D23/339  
D52,501 S \* 9/1918 White et al. .... D23/336  
1,672,291 A \* 6/1928 Williams ..... F24F 7/02  
454/20  
2,868,106 A \* 1/1959 Knutson ..... F24F 7/025  
454/355  
D203,632 S \* 2/1966 Carpino ..... D23/374  
4,351,781 A \* 9/1982 Blatter ..... F24F 6/04  
239/193  
4,732,078 A \* 3/1988 Giumenta ..... F23J 13/08  
454/12  
D299,529 S \* 1/1989 Best ..... D23/373  
5,402,613 A \* 4/1995 Giumenta ..... E04F 17/026  
454/12  
D396,100 S \* 7/1998 Brummer ..... D23/374  
D426,632 S \* 6/2000 Arbucci ..... D23/386

**OTHER PUBLICATIONS**

European Copper Chimney Pots, first archived May 5, 2016, earthcore.co, site visited May 24, 2017, Copyright © 2017, Available from Internet, <<https://web.archive.org/web/20160505165759/https://earthcore.co/product/european-copper-chimney-pots/>>.\*

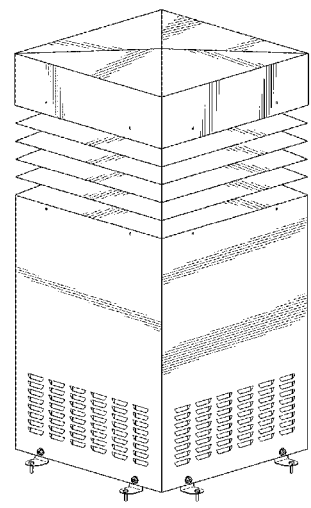
*Primary Examiner* — Cathron Brooks  
*Assistant Examiner* — Sharon S Oum  
(74) *Attorney, Agent, or Firm* — Head, Johnson, Kachigian & Wilkinson, PC

(57) **CLAIM**  
The ornamental design for a chimney pot, as shown and described.

**DESCRIPTION**

FIG. 1 is a front perspective view of my design; FIG. 2 is a front view, the rear view, right side view and left side view being mirror images thereof; FIG. 3 is a top view thereof; and, FIG. 4 is a bottom view thereof. The features shown in broken lines in the drawings form no part of the claimed design.

**1 Claim, 3 Drawing Sheets**



(56)

**References Cited**

U.S. PATENT DOCUMENTS

2006/0246833	A1*	11/2006	Arnold, Jr. ....	E04F 17/026 454/12
2015/0308323	A1*	10/2015	Nagano .....	F23J 11/00 60/324
2016/0040898	A1*	2/2016	Lipinski .....	F23L 17/04 454/242

\* cited by examiner

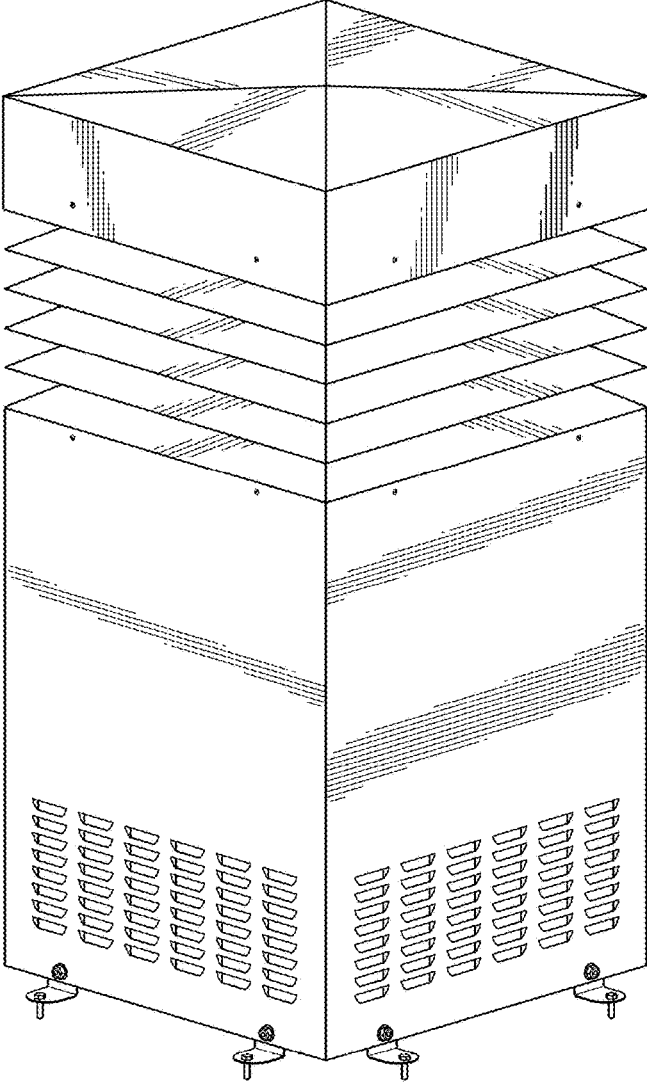


FIG. 1

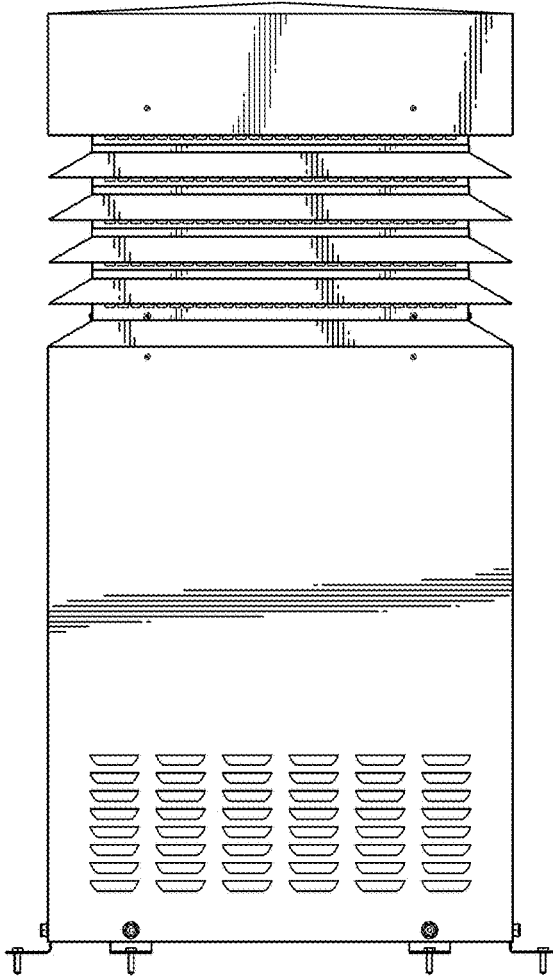


FIG. 2

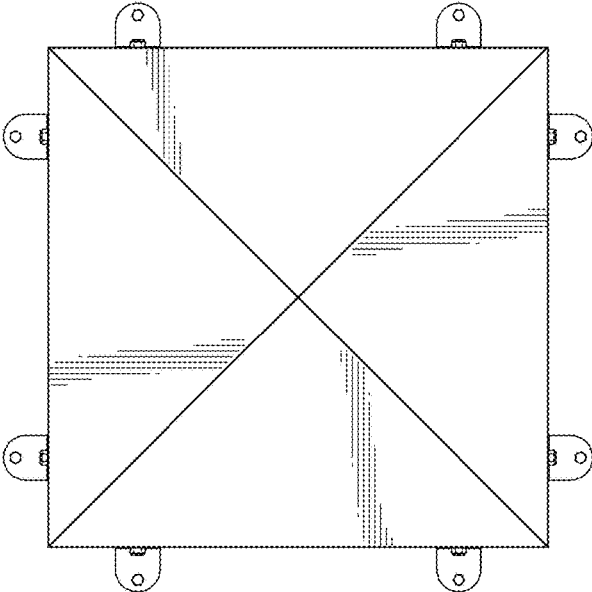


FIG. 3

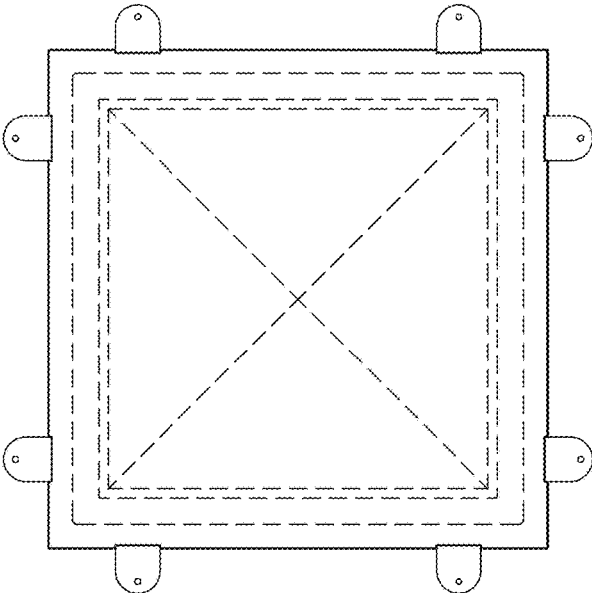


FIG. 4