



(12) **United States Design Patent**
Boustred et al.

(10) **Patent No.:** **US D1,024,192 S**
(45) **Date of Patent:** **** Apr. 23, 2024**

(54) **BASE PANEL LABEL**

G09F 2003/0202; G09F 7/18; G09F
2003/0255; G09F 3/0295

See application file for complete search history.

(71) Applicant: **JCB Access Limited**, Staffordshire
(GB)

(56) **References Cited**

(72) Inventors: **Jonathan Boustred**, Staffordshire (GB);
Stephen de Caen, Staffordshire (GB)

U.S. PATENT DOCUMENTS

(73) Assignee: **JCB ACCESS LIMITED**, Staffordshire
(GB)

3,906,437	A *	9/1975	Brandwein	G01M 15/05 701/99
D327,858	S *	7/1992	Avitan	D10/101
D337,962	S *	8/1993	Avitan	D10/101
D349,677	S *	8/1994	Avitan	D12/192
D364,107	S *	11/1995	Nesicolaci	D10/102
D388,769	S *	1/1998	Pritchard	D13/162
D434,425	S *	11/2000	Rossow	D15/28
D436,604	S *	1/2001	Rossow	D15/28
D439,257	S *	3/2001	Rossow	D15/28
D515,631	S *	2/2006	Li	D20/27
D549,664	S *	8/2007	McDougal	D13/162
D596,145	S *	7/2009	Vasichok	D13/164
D607,801	S *	1/2010	Canal	D12/345
D619,724	S *	7/2010	Olsson	D24/186
D737,336	S *	8/2015	Ewringmann	D15/28
D750,545	S *	3/2016	Ozay	D12/345
D752,115	S *	3/2016	Ewringmann	D15/28

(**) Term: **15 Years**

(21) Appl. No.: **29/811,901**

(22) Filed: **Oct. 18, 2021**

(51) **LOC (14) Cl.** **19-08**

(52) **U.S. Cl.**
USPC **D15/28**; D12/192; D20/27

(58) **Field of Classification Search**
USPC D5/63; D6/582; D9/434, 457, 499;
D10/104.1, 109.1, 109.2, 110, 113.4, 125;
D12/190, 192, 196, 203, 223, 400, 414,
D12/415; D14/217, 314, 349, 353, 355,
D14/439, 440, 441; D19/1, 2, 3, 4, 5, 6,
D19/7, 8, 9, 10, 11, 12; D20/10, 11, 13,
D20/19, 22, 23, 24, 25, 26, 27, 28, 29,
D20/40, 42, 99; D25/138, 140, 152, 153,
D25/157, 158, 163; D15/28, 90
CPC E01C 5/18; E01C 11/222; E01C 15/00;
E01C 2201/20; E01C 9/00; E01C
2201/12; E01C 2201/16; E01C 11/24;
E01C 5/20; E01C 5/00; B60R 13/04;
B60R 13/005; G09F 21/04; G09F 21/041;
G09F 21/042; G09F 21/048; G09F 23/02;
G09F 3/10; G09F 3/203; G09F 19/14;

(Continued)

Primary Examiner — Catherine Ho
(74) *Attorney, Agent, or Firm* — Hahn Loeser & Parks
LLP

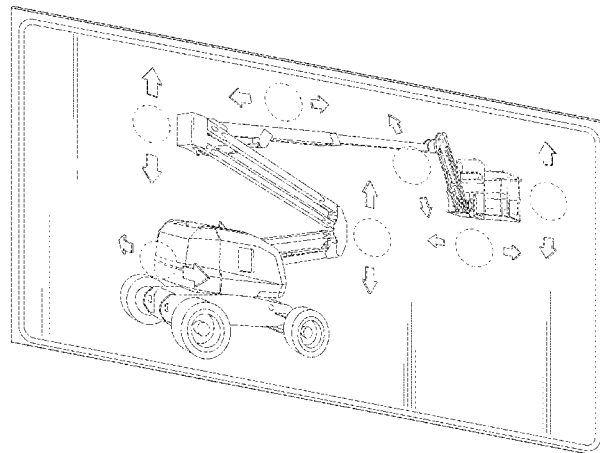
(57) **CLAIM**

The ornamental design for a base panel label, as shown and described.

DESCRIPTION

FIG. 1 is a front perspective view of a base panel label, showing our new design;
FIG. 2 is a front view thereof;
FIG. 3 is a back view thereof;
FIG. 4 is a right side view thereof;
FIG. 5 is a left side view thereof;
FIG. 6 is a top view thereof; and,
FIG. 7 is a bottom view thereof.

(Continued)



The broken lines shown in the drawings illustrate portions of the base panel label that form no part of the claimed design.

1 Claim, 5 Drawing Sheets

(56)

References Cited

U.S. PATENT DOCUMENTS

D752,116	S	*	3/2016	Ewringmann	D15/28
D752,657	S	*	3/2016	Ewringmann	D15/28
D752,658	S	*	3/2016	Ewringmann	D15/28
D754,616	S	*	4/2016	Ewringmann	D13/164
D760,814	S	*	7/2016	Ewringmann	D15/28
D840,613	S	*	2/2019	Chaviano	D12/400
D924,180	S	*	7/2021	Christopher	D13/168
D964,240	S	*	9/2022	Wraith	D12/197
2023/0182574	A1	*	6/2023	De Caen	B60W 20/00 182/2.2

* cited by examiner

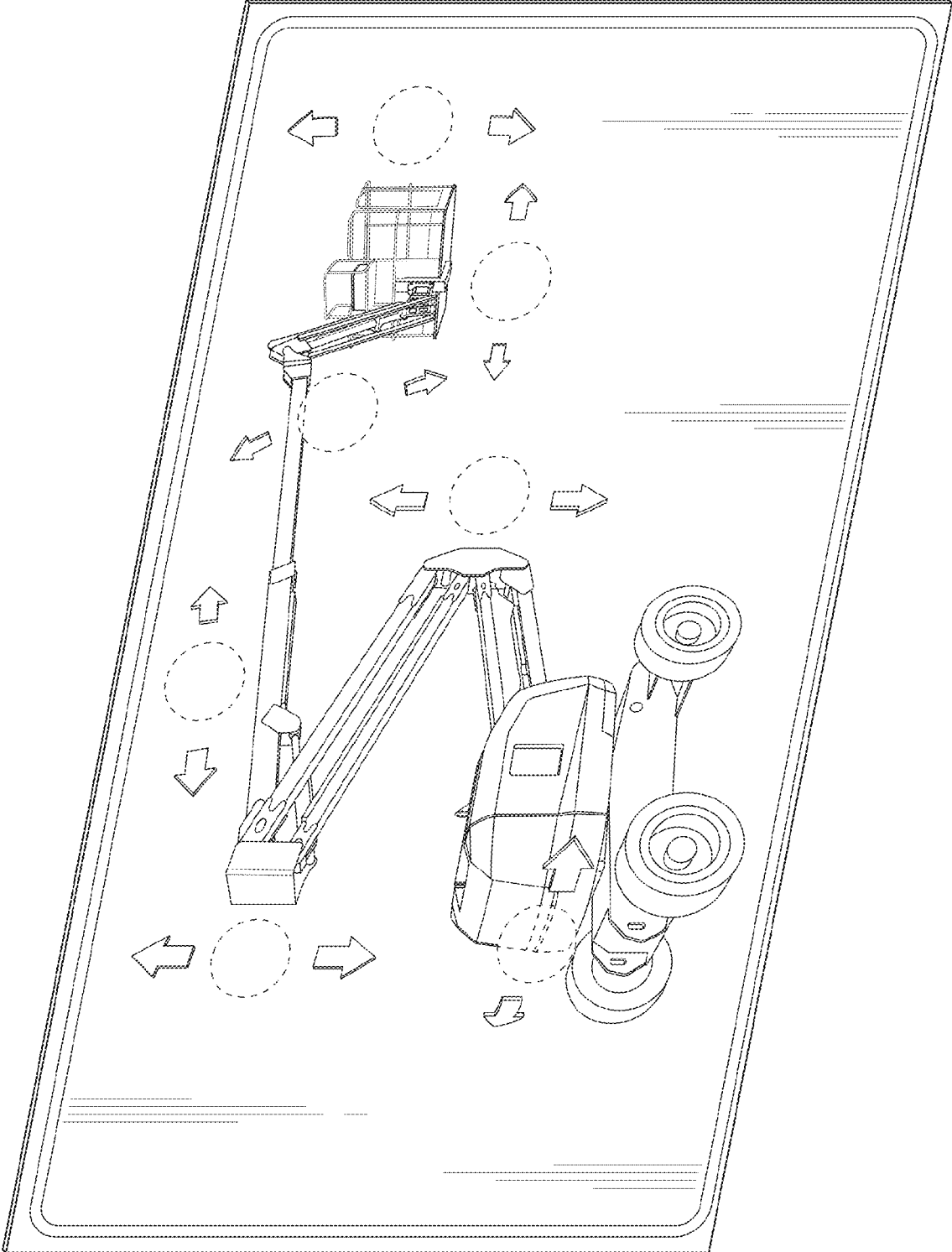


FIG. 1

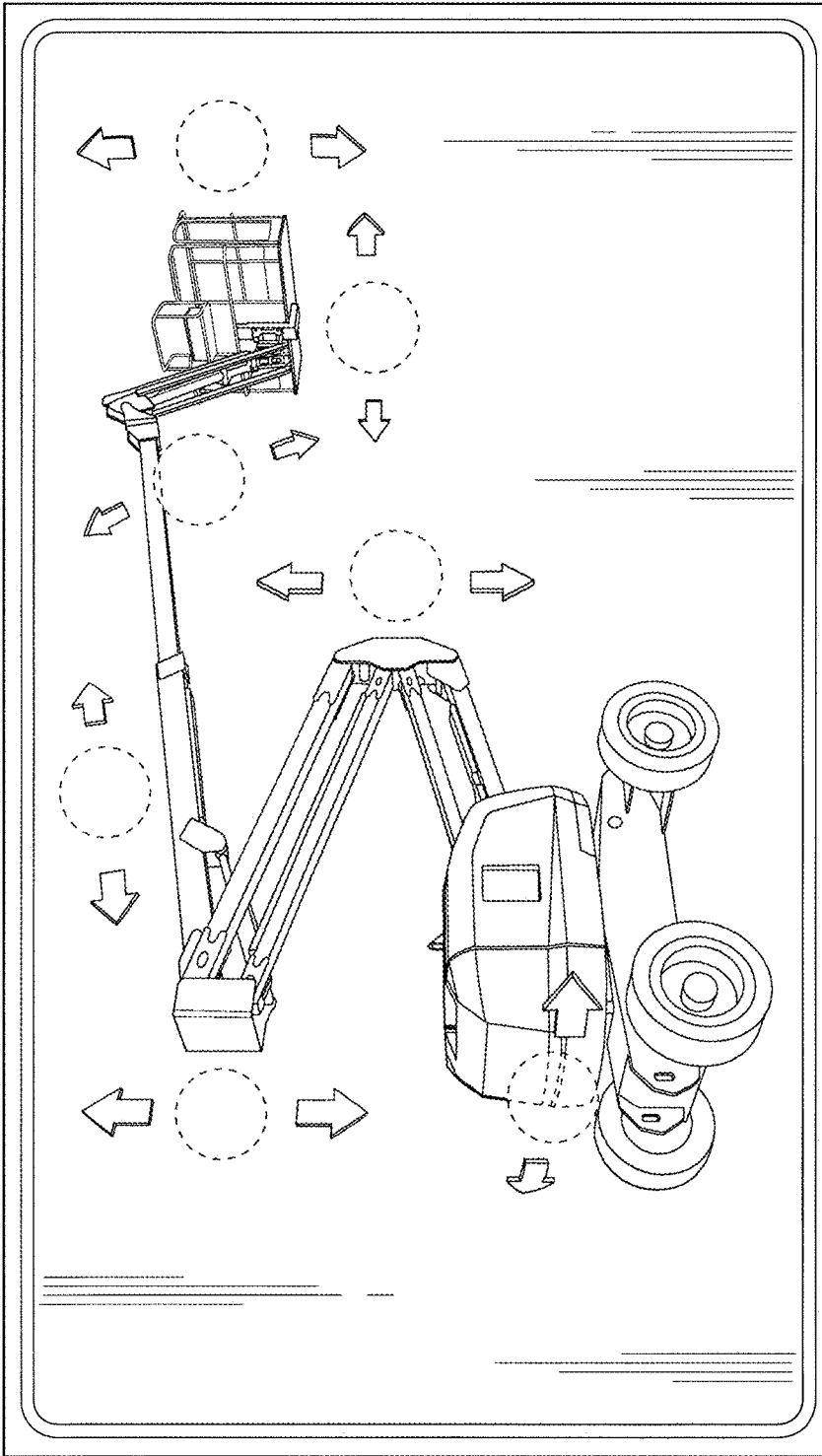


FIG. 2

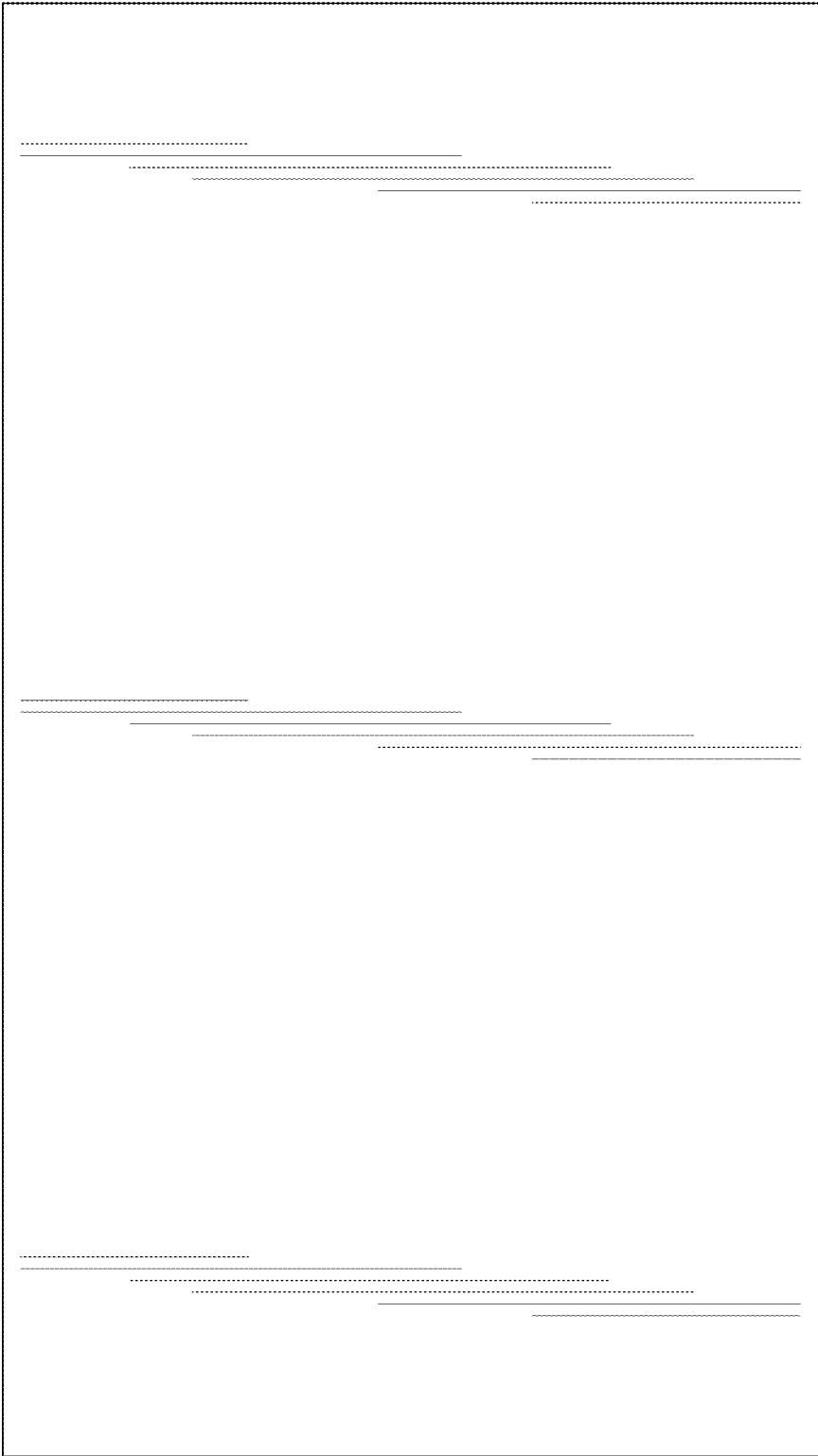


FIG. 3



FIG. 4

FIG. 5



FIG. 6



FIG. 7