



- (51) International Patent Classification:
A61M 39/14 (2006.01) A61M 39/10 (2006.01)
- (21) International Application Number:
PCT/EP2013/052458
- (22) International Filing Date:
7 February 2013 (07.02.2013)
- (25) Filing Language: English
- (26) Publication Language: English
- (30) Priority Data:
1202091.3 7 February 2012 (07.02.2012) GB
- (71) Applicant: RENISHAW (IRELAND) LIMITED [IE/IE];
Swords Business Park, Swords (IE).
- (72) Inventors: WOOLLEY, Maxwell, Roy; Renishaw plc,
New Mills, Wotton-under-Edge Gloucestershire GL12 8JR

(GB). MCMURTRY, David, Roberts; Renishaw plc, New Mills, Wotton-under-Edge Gloucestershire GL12 8JR (GB). GILL, Steven, Streatfield; North Bristol NHS Trust, Frenchay Hospital, Frenchay Park Road, Bristol South Gloucestershire BS16 1LE (GB).

(74) Agents: DUNN, Paul, Edward et al.; Renishaw plc, Patent Department, New Mills, Gloucestershire, Wotton-under-Edge Gloucestershire GL12 8JR (GB).

(81) Designated States (unless otherwise indicated, for every kind of national protection available): AE, AG, AL, AM, AO, AT, AU, AZ, BA, BB, BG, BH, BN, BR, BW, BY, BZ, CA, CH, CL, CN, CO, CR, CU, CZ, DE, DK, DM, DO, DZ, EC, EE, EG, ES, FI, GB, GD, GE, GH, GM, GT, HN, HR, HU, ID, IL, IN, IS, JP, KE, KG, KM, KN, KP, KR, KZ, LA, LC, LK, LR, LS, LT, LU, LY, MA, MD, ME, MG, MK, MN, MW, MX, MY, MZ, NA, NG, NI, NO, NZ, OM, PA, PE, PG, PH, PL, PT, QA, RO, RS, RU,

[Continued on next page]

(54) Title: DRUG DELIVERY APPARATUS

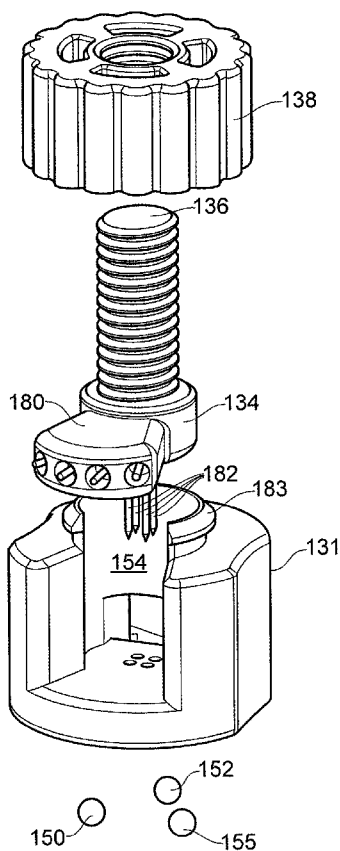


FIG. 5

(57) Abstract: Percutaneous access apparatus (12) is described that comprises a percutaneous fluid access device (100) having an extracorporeal portion (106), one or more ports (120) accessible from the extracorporeal portion and a septum (122) for sealing each port. A connector device (130) comprising one or more hollow needles (182) is attachable to the percutaneous fluid access device. The apparatus also includes an attachment mechanism (132) for attaching the connector device (130) to the extracorporeal portion (106) and an actuation mechanism that, after the connector device (130) has been attached to the extracorporeal portion (106), can be used to drive the one or more hollow needles (182) through the septum (122) to establish fluid communication between the one or more hollow needles (182) and the one or more ports (120). The apparatus may be used for neurosurgery applications.





RW, SC, SD, SE, SG, SK, SL, SM, ST, SV, SY, TH, TJ, TM, TN, TR, TT, TZ, UA, UG, US, UZ, VC, VN, ZA, ZM, ZW.

(84) Designated States (unless otherwise indicated, for every kind of regional protection available): ARIPO (BW, GH, GM, KE, LR, LS, MW, MZ, NA, RW, SD, SL, SZ, TZ, UG, ZM, ZW), Eurasian (AM, AZ, BY, KG, KZ, RU, TJ, TM), European (AL, AT, BE, BG, CH, CY, CZ, DE, DK, EE, ES, FI, FR, GB, GR, HR, HU, IE, IS, IT, LT, LU, LV, MC, MK, MT, NL, NO, PL, PT, RO, RS, SE, SI, SK, SM, TR), OAPI (BF, BJ, CF, CG, CI, CM, GA, GN, GQ, GW, ML, MR, NE, SN, TD, TG).

Published:

- with international search report (Art. 21(3))
- before the expiration of the time limit for amending the claims and to be republished in the event of receipt of amendments (Rule 48.2(h))

(88) Date of publication of the international search report:

3 October 2013

INTERNATIONAL SEARCH REPORT

International application No
PCT/EP2013/052458

A. CLASSIFICATION OF SUBJECT MATTER
INV. A61M39/14 A61M39/10
ADD.
According to International Patent Classification (IPC) or to both national classification and IPC

B. FIELDS SEARCHED
Minimum documentation searched (classification system followed by classification symbols)
A61M

Documentation searched other than minimum documentation to the extent that such documents are included in the fields searched

Electronic data base consulted during the international search (name of data base and, where practicable, search terms used)
EPO-Internal, WPI Data

C. DOCUMENTS CONSIDERED TO BE RELEVANT

Category*	Citation of document, with indication, where appropriate, of the relevant passages	Relevant to claim No.
X	US 2009/224529 A1 (GILL STEVEN STREATFIELD [GB]) 10 September 2009 (2009-09-10) abstract claim 1 figures 1-4,9	1-15
X	US 2010/042070 A1 (GILL STEVEN STREATFIELD [GB] ET AL) 18 February 2010 (2010-02-18) abstract figures 1-13	1-15
X	WO 2006/062912 A1 (CARDINAL HEALTH 303 INC [US]) 15 June 2006 (2006-06-15) abstract figures	1-15
	----- -/--	

Further documents are listed in the continuation of Box C.

See patent family annex.

* Special categories of cited documents :

- "A" document defining the general state of the art which is not considered to be of particular relevance
- "E" earlier application or patent but published on or after the international filing date
- "L" document which may throw doubts on priority claim(s) or which is cited to establish the publication date of another citation or other special reason (as specified)
- "O" document referring to an oral disclosure, use, exhibition or other means
- "P" document published prior to the international filing date but later than the priority date claimed

- "T" later document published after the international filing date or priority date and not in conflict with the application but cited to understand the principle or theory underlying the invention
- "X" document of particular relevance; the claimed invention cannot be considered novel or cannot be considered to involve an inventive step when the document is taken alone
- "Y" document of particular relevance; the claimed invention cannot be considered to involve an inventive step when the document is combined with one or more other such documents, such combination being obvious to a person skilled in the art
- "&" document member of the same patent family

Date of the actual completion of the international search 31 July 2013	Date of mailing of the international search report 07/08/2013
---	--

Name and mailing address of the ISA/ European Patent Office, P.B. 5818 Patentlaan 2 NL - 2280 HV Rijswijk Tel. (+31-70) 340-2040, Fax: (+31-70) 340-3016	Authorized officer Türkavci, Levent
--	--

INTERNATIONAL SEARCH REPORT

International application No
PCT/EP2013/052458

C(Continuation). DOCUMENTS CONSIDERED TO BE RELEVANT

Category*	Citation of document, with indication, where appropriate, of the relevant passages	Relevant to claim No.
A	FR 2 696 526 A1 (PALL CORP [US]) 8 April 1994 (1994-04-08) abstract claims figures -----	1-15

INTERNATIONAL SEARCH REPORT

Information on patent family members

International application No

PCT/EP2013/052458

Patent document cited in search report	Publication date	Patent family member(s)	Publication date
US 2009224529	A1	10-09-2009	AT 459391 T 15-03-2010
			CA 2644781 A1 20-09-2007
			CN 101400401 A 01-04-2009
			EP 2012866 A2 14-01-2009
			JP 4864102 B2 01-02-2012
			JP 2009529937 A 27-08-2009
			US 2009224529 A1 10-09-2009
			WO 2007104961 A1 20-09-2007

US 2010042070	A1	18-02-2010	CA 2670164 A1 29-05-2008
			CN 101541356 A 23-09-2009
			CN 102631747 A 15-08-2012
			EP 2086607 A1 12-08-2009
			JP 2010510016 A 02-04-2010
			US 2010042070 A1 18-02-2010
			WO 2008062173 A1 29-05-2008

WO 2006062912	A1	15-06-2006	AT 444774 T 15-10-2009
			AU 2005314266 A1 15-06-2006
			CA 2591320 A1 15-06-2006
			DK 1827568 T3 08-02-2010
			EP 1827568 A1 05-09-2007
			ES 2332929 T3 15-02-2010
			JP 4866365 B2 01-02-2012
			JP 2008522736 A 03-07-2008
			NZ 555748 A 29-01-2010
			PT 1827568 E 09-12-2009
			US 2006142735 A1 29-06-2006
			US 2010004634 A1 07-01-2010
			US 2011257607 A1 20-10-2011
			WO 2006062912 A1 15-06-2006
			ZA 200705048 A 25-09-2008

FR 2696526	A1	08-04-1994	AT 181146 T 15-06-1999
			AT 191267 T 15-04-2000
			AT 191548 T 15-04-2000
			AT 205291 T 15-09-2001
			AT 210792 T 15-12-2001
			AT 256264 T 15-12-2003
			AU 688740 B2 19-03-1998
			AU 5351794 A 26-04-1994
			CA 2101826 A1 03-04-1994
			DE 69325286 D1 15-07-1999
			DE 69325286 T2 09-12-1999
			DE 69328265 D1 04-05-2000
			DE 69328265 T2 02-11-2000
			DE 69328315 D1 11-05-2000
			DE 69328315 T2 09-11-2000
			DE 69330723 D1 11-10-2001
			DE 69330723 T2 11-07-2002
			DE 69331342 D1 24-01-2002
			DE 69331342 T2 23-05-2002
			DE 69333356 D1 22-01-2004
			DE 69333356 T2 07-10-2004
			EP 0668976 A1 30-08-1995
			EP 0756121 A2 29-01-1997
EP 0756122 A2 29-01-1997			
EP 0756123 A2 29-01-1997			

INTERNATIONAL SEARCH REPORT

Information on patent family members

International application No

PCT/EP2013/052458

Patent document cited in search report	Publication date	Patent family member(s)	Publication date
		EP 0756124 A2	29-01-1997
		EP 0926418 A1	30-06-1999
		FR 2696526 A1	08-04-1994
		GB 2286030 A	02-08-1995
		IT 1260691 B	22-04-1996
		JP 3490713 B2	26-01-2004
		JP H08502339 A	12-03-1996
		JP 2003176892 A	27-06-2003
		JP 2003214582 A	30-07-2003
		US 5393101 A	28-02-1995
		US 5868433 A	09-02-1999
		WO 9408173 A1	14-04-1994
