

(19) World Intellectual Property Organization  
International Bureau



(43) International Publication Date  
1 September 2005 (01.09.2005)

PCT

(10) International Publication Number  
WO 2005/079451 A3

(51) International Patent Classification<sup>7</sup>: A01G 13/00,  
A01M 13/00, 19/00, A61H 33/06, A24F 25/00, A61L  
9/04, F16K 31/00, 31/44

(21) International Application Number:  
PCT/US2005/005031

(22) International Filing Date:  
17 February 2005 (17.02.2005)

(25) Filing Language: English

(26) Publication Language: English

(30) Priority Data:  
10/708,253 19 February 2004 (19.02.2004) US

(71) Applicant: CERAMATEC, INC. [US/US]; 2425 South  
900 West, Salt Lake City, UT 84119 (US).

(72) Inventors: JOSHI, Ashok, V.; 4552 S. Thousand Oaks  
Drive, Salt Lake City, UT 84124 (US). WOLD, Truman;  
923 Greenwood Terrace, Salt Lake City, UT 84105 (US).

(74) Agent: FACTOR, Jody, L.; Factor & Lake, Ltd., Suite  
5G/H, 1327 W. Washington Blvd., Chicago, IL 60607 (US).

(81) Designated States (unless otherwise indicated, for every  
kind of national protection available): AE, AG, AL, AM,

AT, AU, AZ, BA, BB, BG, BR, BW, BY, BZ, CA, CH, CN,  
CO, CR, CU, CZ, DE, DK, DM, DZ, EC, EE, EG, ES, FI,  
GB, GD, GE, GH, GM, HR, HU, ID, IL, IN, IS, JP, KE,  
KG, KP, KR, KZ, LC, LK, LR, LS, LT, LU, LV, MA, MD,  
MG, MK, MN, MW, MX, MZ, NA, NI, NO, NZ, OM, PG,  
PH, PL, PT, RO, RU, SC, SD, SE, SG, SK, SL, SM, SY,  
TJ, TM, TN, TR, TT, TZ, UA, UG, US, UZ, VC, VN, YU,  
ZA, ZM, ZW.

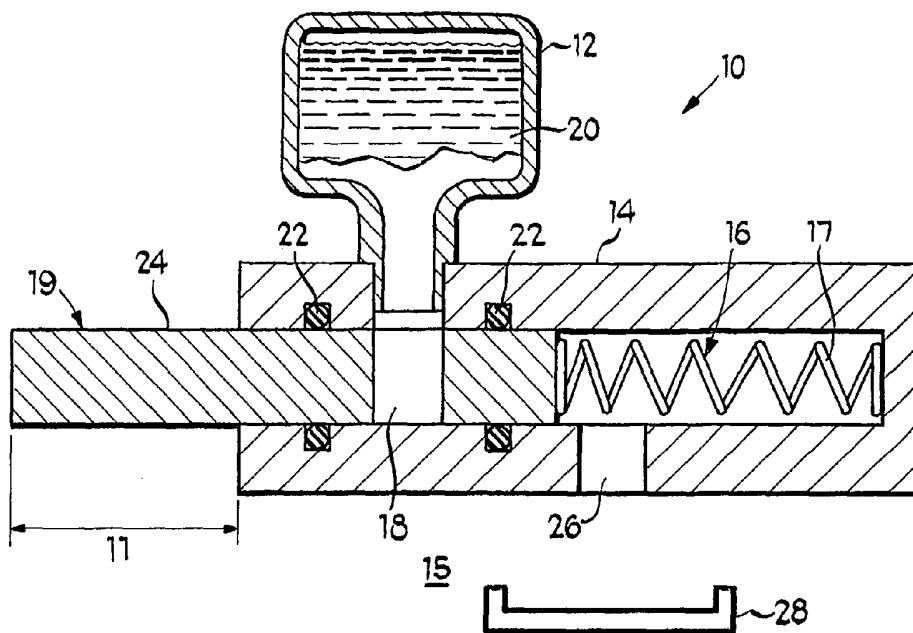
(84) Designated States (unless otherwise indicated, for every  
kind of regional protection available): ARIPO (BW, GH,  
GM, KE, LS, MW, MZ, NA, SD, SL, SZ, TZ, UG, ZM,  
ZW), Eurasian (AM, AZ, BY, KG, KZ, MD, RU, TJ, TM),  
European (AT, BE, BG, CH, CY, CZ, DE, DK, EE, ES, FI,  
FR, GB, GR, HU, IE, IS, IT, LT, LU, MC, NL, PL, PT, RO,  
SE, SI, SK, TR), OAPI (BF, BJ, CF, CG, CI, CM, GA, GN,  
GQ, GW, ML, MR, NE, SN, TD, TG).

Published:  
— with international search report

(88) Date of publication of the international search report:  
19 January 2006

For two-letter codes and other abbreviations, refer to the "Guidance Notes on Codes and Abbreviations" appearing at the beginning of each regular issue of the PCT Gazette.

(54) Title: CONTROLLABLE RELEASE OF A VOLATILE SUBSTANCE



(57) Abstract: The present invention is directed to a device (10) for releasing a controlled amount of a volatile substance into an environment while isolating the non-released amount of such a substance from the environment. The device includes a housing (14) having an interior region, a volatile substance cartridge (12) associated with the housing, wherein the cartridge can be replaced, or alternatively, refilled with a desired fluid. A mechanism (24) is provided for releasing a predetermined amount of fluid from the housing, which is activated, as desired, by a user of the device.

WO 2005/079451 A3

**INTERNATIONAL SEARCH REPORT**

International application No.

PCT/US05/05031

<p><b>A. CLASSIFICATION OF SUBJECT MATTER</b>                  IPC(7) : A01G 13/00; A01M 13/00, 19/00; A61H 33/06; A24F 25/00; A61L 9/04; F16K 31/00, 31/44                  US CL : 392/386-403; 236/34-57; 251/238-246, 264, 277, 278, 352, 354                  According to International Patent Classification (IPC) or to both national classification and IPC</p>																							
<p><b>B. FIELDS SEARCHED</b></p> <p>Minimum documentation searched (classification system followed by classification symbols)                  U.S. : 392/386-403; 236/34-57; 251/238-246, 264, 277, 278, 352, 354</p> <p>Documentation searched other than minimum documentation to the extent that such documents are included in the fields searched</p> <p>Electronic data base consulted during the international search (name of data base and, where practicable, search terms used)</p>																							
<p><b>C. DOCUMENTS CONSIDERED TO BE RELEVANT</b></p> <table border="1"> <thead> <tr> <th>Category *</th> <th>Citation of document, with indication, where appropriate, of the relevant passages</th> <th>Relevant to claim No.</th> </tr> </thead> <tbody> <tr> <td>X -- Y</td> <td>US 5,810,253 A (OHAYON) 22 SEPTEMBER 1998, COLUMN 6, LINE 18 TO COLUMN 7, LINE 54.</td> <td>1-4, 6, 8-10, 12, 14, 15, 18, 19, 22-26 ----- 5, 7, 11, 13, 15-17, 20, 21</td> </tr> <tr> <td>Y</td> <td>US 3,127,786 A (WOOLEY) 07 APRIL 1964, COLUMN 2, LINES 4-52.</td> <td>5, 15-17</td> </tr> <tr> <td>Y</td> <td>US 2,710,164 A (HARE) 07 JUNE 1955, COLUMN 1, LINE 68 TO COLUMN 2, LINE 72.</td> <td>5, 15-17</td> </tr> <tr> <td>Y</td> <td>US 4,846,003 A (MARQUISS) 11 JULY 1989, COLUMN 2, LINES 21-50.</td> <td>7, 13</td> </tr> <tr> <td>Y</td> <td>US 2,991,517 A (BUNDY) 11 JULY 1961, COLUMN, 3, LINES 9-50.</td> <td>11</td> </tr> <tr> <td>Y</td> <td>US 5,932,204 A (JOSHI) 03 AUGUST 1999, COLUMN 5, LINES 13-30.</td> <td>20, 21</td> </tr> </tbody> </table>			Category *	Citation of document, with indication, where appropriate, of the relevant passages	Relevant to claim No.	X -- Y	US 5,810,253 A (OHAYON) 22 SEPTEMBER 1998, COLUMN 6, LINE 18 TO COLUMN 7, LINE 54.	1-4, 6, 8-10, 12, 14, 15, 18, 19, 22-26 ----- 5, 7, 11, 13, 15-17, 20, 21	Y	US 3,127,786 A (WOOLEY) 07 APRIL 1964, COLUMN 2, LINES 4-52.	5, 15-17	Y	US 2,710,164 A (HARE) 07 JUNE 1955, COLUMN 1, LINE 68 TO COLUMN 2, LINE 72.	5, 15-17	Y	US 4,846,003 A (MARQUISS) 11 JULY 1989, COLUMN 2, LINES 21-50.	7, 13	Y	US 2,991,517 A (BUNDY) 11 JULY 1961, COLUMN, 3, LINES 9-50.	11	Y	US 5,932,204 A (JOSHI) 03 AUGUST 1999, COLUMN 5, LINES 13-30.	20, 21
Category *	Citation of document, with indication, where appropriate, of the relevant passages	Relevant to claim No.																					
X -- Y	US 5,810,253 A (OHAYON) 22 SEPTEMBER 1998, COLUMN 6, LINE 18 TO COLUMN 7, LINE 54.	1-4, 6, 8-10, 12, 14, 15, 18, 19, 22-26 ----- 5, 7, 11, 13, 15-17, 20, 21																					
Y	US 3,127,786 A (WOOLEY) 07 APRIL 1964, COLUMN 2, LINES 4-52.	5, 15-17																					
Y	US 2,710,164 A (HARE) 07 JUNE 1955, COLUMN 1, LINE 68 TO COLUMN 2, LINE 72.	5, 15-17																					
Y	US 4,846,003 A (MARQUISS) 11 JULY 1989, COLUMN 2, LINES 21-50.	7, 13																					
Y	US 2,991,517 A (BUNDY) 11 JULY 1961, COLUMN, 3, LINES 9-50.	11																					
Y	US 5,932,204 A (JOSHI) 03 AUGUST 1999, COLUMN 5, LINES 13-30.	20, 21																					
<p><input type="checkbox"/> Further documents are listed in the continuation of Box C.      <input type="checkbox"/> See patent family annex.</p>																							
<p>* Special categories of cited documents:</p> <table border="0"> <tr> <td>"A" document defining the general state of the art which is not considered to be of particular relevance</td> <td>"T" later document published after the international filing date or priority date and not in conflict with the application but cited to understand the principle or theory underlying the invention</td> </tr> <tr> <td>"B" earlier application or patent published on or after the international filing date</td> <td>"X" document of particular relevance; the claimed invention cannot be considered novel or cannot be considered to involve an inventive step when the document is taken alone</td> </tr> <tr> <td>"L" document which may throw doubts on priority claim(s) or which is cited to establish the publication date of another citation or other special reason (as specified)</td> <td>"Y" document of particular relevance; the claimed invention cannot be considered to involve an inventive step when the document is combined with one or more other such documents, such combination being obvious to a person skilled in the art</td> </tr> <tr> <td>"O" document referring to an oral disclosure, use, exhibition or other means</td> <td></td> </tr> <tr> <td>"P" document published prior to the international filing date but later than the priority date claimed</td> <td>"&amp;" document member of the same patent family</td> </tr> </table>			"A" document defining the general state of the art which is not considered to be of particular relevance	"T" later document published after the international filing date or priority date and not in conflict with the application but cited to understand the principle or theory underlying the invention	"B" earlier application or patent published on or after the international filing date	"X" document of particular relevance; the claimed invention cannot be considered novel or cannot be considered to involve an inventive step when the document is taken alone	"L" document which may throw doubts on priority claim(s) or which is cited to establish the publication date of another citation or other special reason (as specified)	"Y" document of particular relevance; the claimed invention cannot be considered to involve an inventive step when the document is combined with one or more other such documents, such combination being obvious to a person skilled in the art	"O" document referring to an oral disclosure, use, exhibition or other means		"P" document published prior to the international filing date but later than the priority date claimed	"&" document member of the same patent family											
"A" document defining the general state of the art which is not considered to be of particular relevance	"T" later document published after the international filing date or priority date and not in conflict with the application but cited to understand the principle or theory underlying the invention																						
"B" earlier application or patent published on or after the international filing date	"X" document of particular relevance; the claimed invention cannot be considered novel or cannot be considered to involve an inventive step when the document is taken alone																						
"L" document which may throw doubts on priority claim(s) or which is cited to establish the publication date of another citation or other special reason (as specified)	"Y" document of particular relevance; the claimed invention cannot be considered to involve an inventive step when the document is combined with one or more other such documents, such combination being obvious to a person skilled in the art																						
"O" document referring to an oral disclosure, use, exhibition or other means																							
"P" document published prior to the international filing date but later than the priority date claimed	"&" document member of the same patent family																						
<p>Date of the actual completion of the international search                  14 September 2005 (14.09.2005)</p>		<p>Date of mailing of the international search report                  14 OCT 2005</p>																					
<p>Name and mailing address of the ISA/US                  Mail Stop PCT, Attn: ISA/US                  Commissioner for Patents                  P.O. Box 1450                  Alexandria, Virginia 22313-1450                  Facsimile No. (703) 305-3230</p>		<p>Authorized officer                  Sang Y. Paik                  Telephone No. 571-292-3750</p>																					