

(19) World Intellectual Property Organization
International Bureau



(43) International Publication Date
2 October 2008 (02.10.2008)

PCT

(10) International Publication Number
WO 2008/117180 A3

- (51) **International Patent Classification:**
HOIR 13/64 (2006.01)
- (21) **International Application Number:**
PCT/IB2008/001682
- (22) **International Filing Date:**
22 February 2008 (22.02.2008)
- (25) **Filing Language:** English
- (26) **Publication Language:** English
- (30) **Priority Data:**
60/903,205 23 February 2007 (23.02.2007) US
- (71) **Applicant (for all designated States except US):** **FCI**
[FR/FR]; 145/147 rue Yves Le Coz, F-78000 Versailles (FR).
- (72) **Inventors; and**
- (75) **Inventors/Applicants (for US only):** **DE BLIECK, Roland, Tristan** [NL/NL]; Purperbeer 30, NL-5345 ET Oss (NL). **DROESBEKE, Gert** [BE/BE]; Pallo 15, B-2440 GEEL (BE). **GOOSSENS, Thierry** [BE/BE]; Hardingstraat 29, B-9310 Herdersem-Aalst (BE). **POORTER, Peter** [NL/NL]; kerkverreweide 57, NL-4261 LL Wijk en Aalburg (NL).

- (74) **Agent:** **REGI, Francois-Xavier;** FCI-IP Department, 145, Rue Yves Le Coz, F-78035 Versailles Cedex (FR).
- (81) **Designated States (unless otherwise indicated, for every kind of national protection available):** AE, AG, AL, AM, AO, AT, AU, AZ, BA, BB, BG, BH, BR, BW, BY, BZ, CA, CH, CN, CO, CR, CU, CZ, DE, DK, DM, DO, DZ, EC, EE, EG, ES, FI, GB, GD, GE, GH, GM, GT, HN, HR, HU, ID, IL, IN, IS, JP, KE, KG, KM, KN, KP, KR, KZ, LA, LC, LK, LR, LS, LT, LU, LY, MA, MD, ME, MG, MK, MN, MW, MX, MY, MZ, NA, NG, NI, NO, NZ, OM, PG, PH, PL, PT, RO, RS, RU, SC, SD, SE, SG, SK, SL, SM, SV, SY, TJ, TM, TN, TR, TT, TZ, UA, UG, US, UZ, VC, VN, ZA, ZM, ZW
- (84) **Designated States (unless otherwise indicated, for every kind of regional protection available):** ARIPO (BW, GH, GM, KE, LS, MW, MZ, NA, SD, SL, SZ, TZ, UG, ZM, ZW), Eurasian (AM, AZ, BY, KG, KZ, MD, RU, TJ, TM), European (AT, BE, BG, CH, CY, CZ, DE, DK, EE, ES, FI, FR, GB, GR, HR, HU, IE, IS, IT, LT, LU, LV, MC, MT, NL, NO, PL, PT, RO, SE, SI, SK, TR), OAPI (BF, BJ, CF, CG, CI, CM, GA, GN, GQ, GW, ML, MR, NE, SN, TD, TG).

Published:
— with international search report

[Continued on next page]

(54) **Title:** ELECTRICAL CONNECTOR

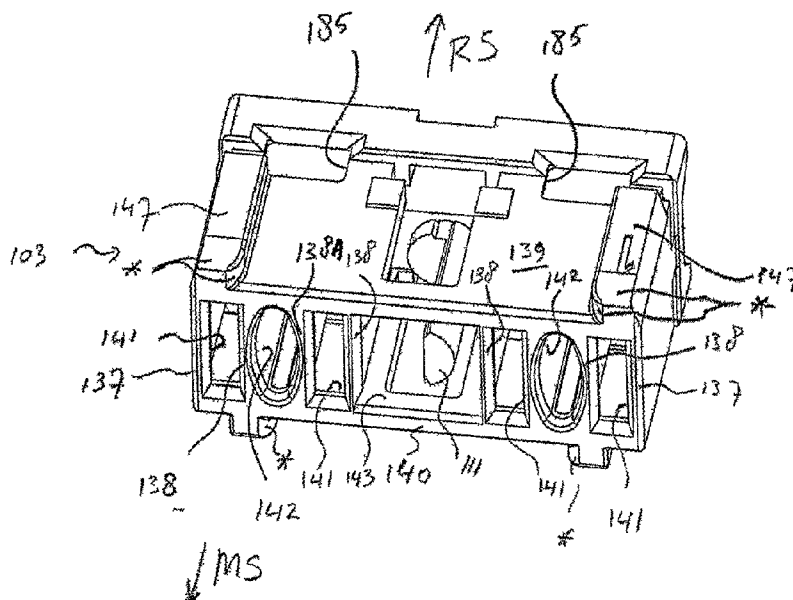


Fig. 13*

(57) **Abstract:** The present invention pertains to a connector, having a rear side and a mating side and comprising a housing having at least one contact receiving space and at least one non-contact receiving space, the spaces extending in a direction from the mating side towards the rear side. The non-contact receiving space is adapted for receiving a portion of a mating connector housing and has a substantially rounded cross sectional shape substantially perpendicular to the direction from the mating side towards the rear side.

WO 2008/117180 A3



- *before the expiration of the time limit for amending the claims and to be republished in the event of receipt of amendments*
- *with information concerning request for restoration of the right of priority in respect of one or more priority claims*

(88) Date of publication of the international search report:
27 November 2008

INTERNATIONAL SEARCH REPORT

International application No

PCT/IB2008/001682

A. CLASSIFICATION OF SUBJECT MATTER

INV. H01R13/64

According to International Patent Classification (IPC) or to both national classification and IPC

B. FIELDS SEARCHED

Minimum documentation searched (classification system followed by classification symbols)

HOIR

Documentation searched other than minimum documentation to the extent that such documents are included in the fields searched

Electronic data base consulted during the international search (name of data base and, where practical search terms used)

EPO-Internal

C. DOCUMENTS CONSIDERED TO BE RELEVANT

Category*	Citation of document, with indication, where appropriate, of the relevant passages	Relevant to claim No
X	EP 0 443 492 A (AMP INC [US] WHITAKER CORP [US]) 28 August 1991 (1991-08-28)	1,3-7, 17, 22-24, 33
Y	column 4, line 47 - column 7, line 3	2,8-16, 18-21, 25-32
Y	----- DE 201 07 584 U1 (JAEGER ERICH GMBH [DE]) 9 August 2001 (2001-08-09) page 3, line 15 - page 5, line 10	2,8-16, 18-21, 25-32
X	US 6 364 718 B1 (POLGAR GARY E [US] ET AL) 2 April 2002 (2002-04-02)	27-32, 34
Y	column 3, line 6 - line 24	27-32
A	----- US 4 232 930 A (TETI JOHN J) 11 November 1980 (1980-11-11) -----	

D Further documents are listed in the continuation of Box C

See patent family annex

* Special categories of cited documents

"A" document defining the general state of the art which is not considered to be of particular relevance

"E¹" earlier document but published on or after the international filing date

"L" document which may throw doubts on priority claim(s) or which is cited to establish the publication date of another citation or other special reason (as specified)

"O" document referring to an oral disclosure, use, exhibition or other means

"P¹" document published prior to the international filing date but later than the priority date claimed

"T" later document published after the international filing date or priority date and not in conflict with the application but cited to understand the principle or theory underlying the invention

"X¹" document of particular relevance the claimed invention cannot be considered novel or cannot be considered to involve an inventive step when the document is taken alone

"Y" document of particular relevance, the claimed invention cannot be considered to involve an inventive step when the document is combined with one or more other such documents, such combination being obvious to a person skilled in the art

"&" document member of the same patent family

Date of the actual completion of the international search

1 October 2008

Date of mailing of the international search report

09/10/2008

Name and mailing address of the ISA/

European Patent Office, P B 5818 Patenllaan 2
NL - 2280 HV Rijswijk
Tel (+31-70) 340-2040, Tx 31 651 epo nl,
Fax (+31-70) 340-3016

Authorized officer

Bertin, Michel

INTERNATIONAL SEARCH REPORT

International application No PCT/IB2008/001682

Patent document cited in search report	Publication date	Patent family member(s)	Publication date
EP 0443492 A	28-08-1991	DE 69109149 D1 DE 69109149 T2	01-06-1995 31-08-1995
DE 20107584 U1	09-08-2001	NONE	
US 6364718 B1	02-04-2002	CN 1369939 A EP 1229612 A2 TW 559382 Y	18-09-2002 07-08-2002 21-10-2003
US 4232930 A	11-11-1980	NONE	