



US00D766352S

(12) **United States Design Patent** (10) **Patent No.:** **US D766,352 S**  
**Hinkel** (45) **Date of Patent:** **\*\* Sep. 13, 2016**

- (54) **CAMERA WITH HOUSING**
- (71) Applicant: **Ralf Hinkel**, Horingen (DE)
- (72) Inventor: **Ralf Hinkel**, Horingen (DE)
- (73) Assignee: **MOBOTIX AG** (DE)
- (\*\*) Term: **15 Years**
- (21) Appl. No.: **29/553,029**
- (22) Filed: **Jan. 28, 2016**

D526,674 S	8/2006	Byun et al.	
D592,231 S	5/2009	Schnell	
D633,122 S	2/2011	Booker et al.	
D649,993 S *	12/2011	Ding	D16/134
D666,660 S	9/2012	Amit et al.	
D680,142 S	4/2013	Weiss	
D686,267 S	7/2013	Mihara et al.	
D690,346 S	9/2013	Woolley	
D694,306 S *	11/2013	Katori	D16/203
D694,797 S	12/2013	Parker	
D696,329 S	12/2013	Horiki et al.	
D729,859 S *	5/2015	Shin	D16/203
D729,861 S *	5/2015	Huang	D16/203
D751,129 S *	3/2016	Lellky	D16/203
2010/0226023 A1 *	9/2010	Lee	G02B 7/02 359/819
2011/0199485 A1 *	8/2011	Nakamura	G02B 13/001 348/148
2014/0168800 A1 *	6/2014	Chen	G02B 7/025 359/827

**Related U.S. Application Data**

(62) Division of application No. 29/440,413, filed on Dec. 21, 2012, now Pat. No. Des. 751,618.

(51) **LOC (10) CL.** ..... **16-01**

(52) **U.S. CL.**  
USPC ..... **D16/203**; D16/219

(58) **Field of Classification Search**  
USPC ..... D16/134, 136, 200, 202-204, 207, 208,  
D16/210, 218, 219; D12/400; 340/937;  
348/143, 148, 151, 360, 373-376;  
396/427, 429, 529, 535, 539-541;  
359/826-828  
CPC ..... G03B 15/03; G03B 17/02; G03B 17/04;  
G03B 17/48; G03B 17/56; G03B 19/04;  
G08G 1/0175; H04N 5/2251; H04N 5/2252;  
H04N 5/2253; H04N 5/2254; H04N 2101/00;  
B60R 1/00

See application file for complete search history.

(56) **References Cited**

**U.S. PATENT DOCUMENTS**

D394,274 S	5/1998	Suzuki	
D455,166 S *	4/2002	Raad	D10/104.1
D470,520 S	2/2003	Yamakawa et al.	
D523,886 S	6/2006	Wen et al.	

\* cited by examiner

*Primary Examiner* — Susan E Krakower  
*Assistant Examiner* — Ramzi Almatrahi  
(74) *Attorney, Agent, or Firm* — Salter & Michaelson

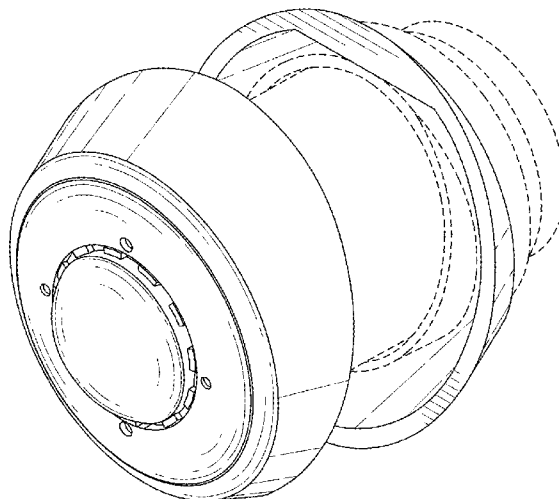
(57) **CLAIM**

The ornamental design for a camera with housing, as shown and described.

**DESCRIPTION**

FIG. 1 is a front elevational view of a camera with housing; FIG. 2 is a rear elevational view thereof; FIG. 3 is a left side elevational view thereof; FIG. 4 is a right side elevational view thereof; FIG. 5 is a top plan view thereof; FIG. 6 is a bottom plan view thereof; and, FIG. 7 is a top isometric view thereof. The broken lines depict portions of a camera with housing in which the design is embodied and form no part of the claimed design.

**1 Claim, 7 Drawing Sheets**



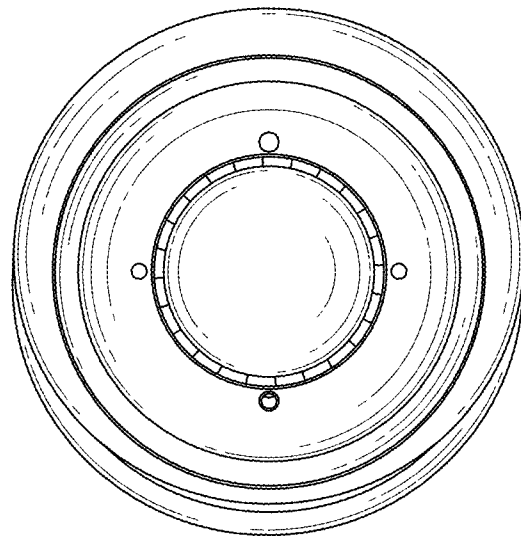


FIG. 1

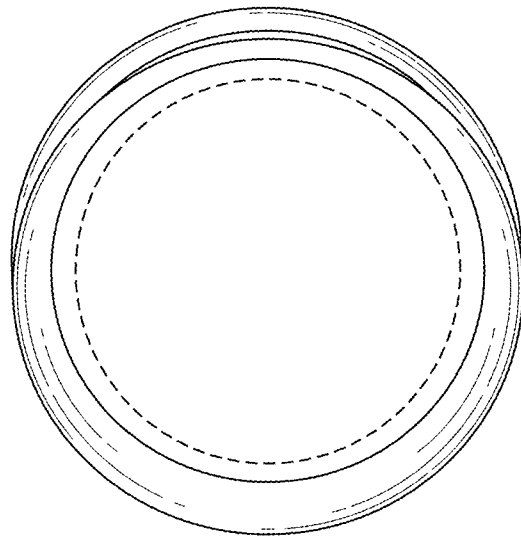


FIG. 2

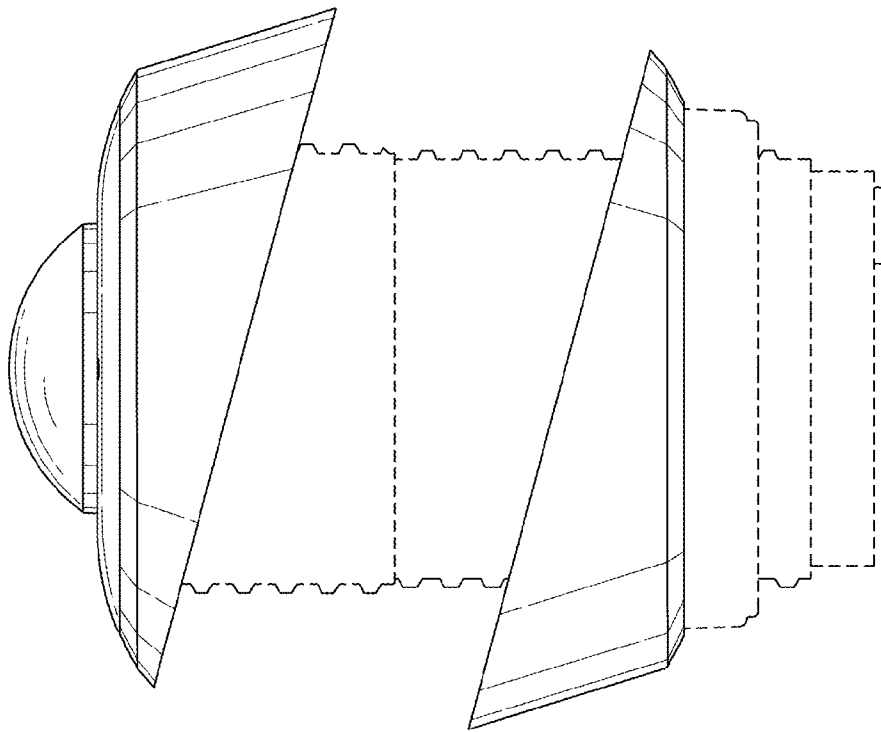


FIG. 3

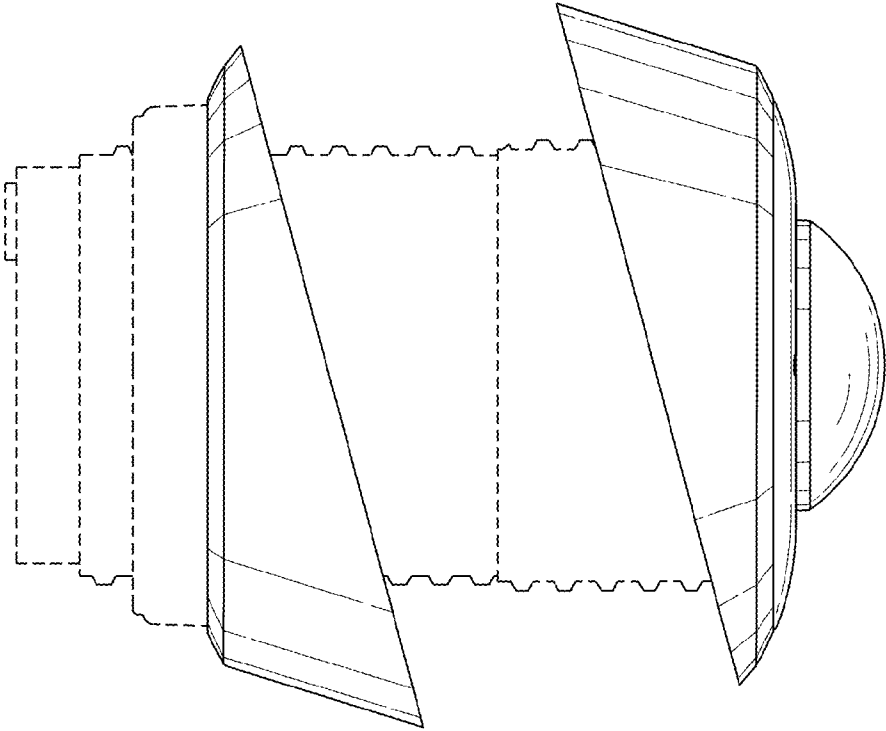


FIG. 4

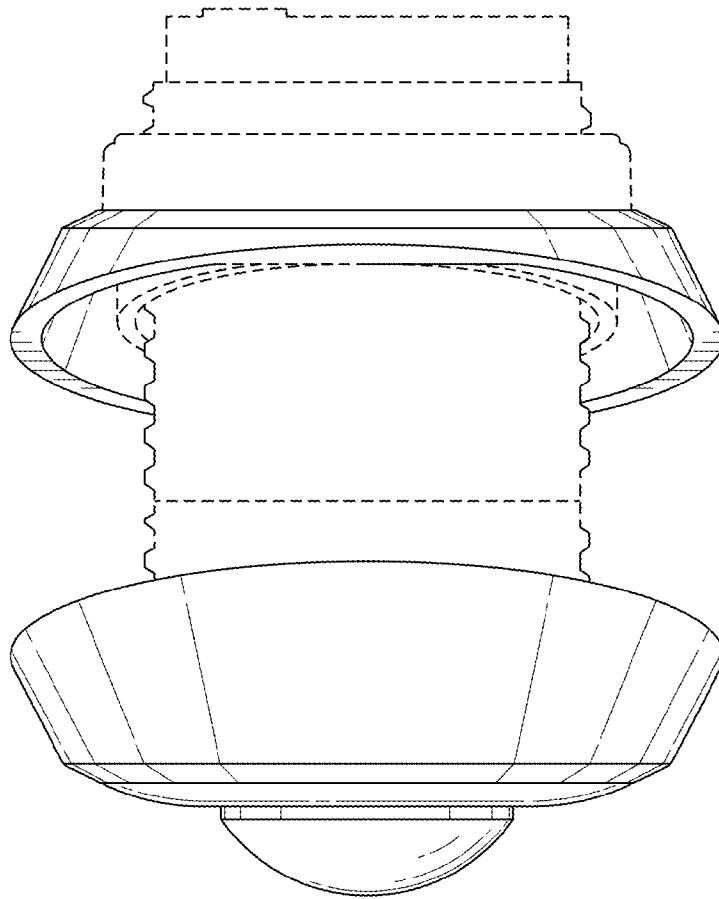


FIG. 5

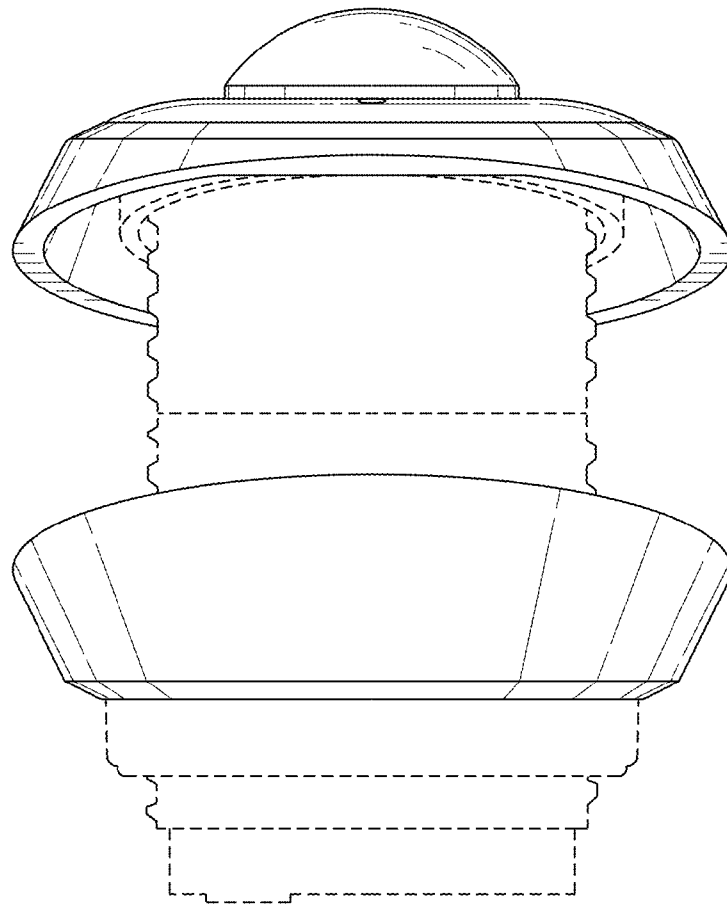


FIG. 6

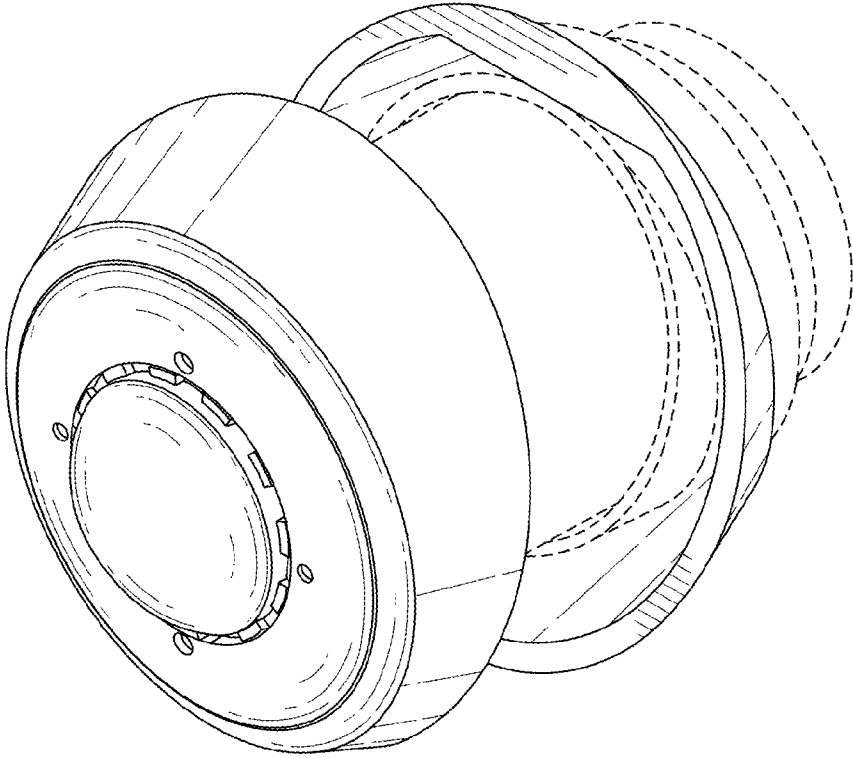


FIG. 7