

(19) World Intellectual Property Organization
International Bureau



(43) International Publication Date
13 July 2006 (13.07.2006)

PCT

(10) International Publication Number
WO 2006/073582 A3

(51) International Patent Classification:

A61B 1/00 (2006.01) A61B 17/28 (2006.01)
A61B 19/08 (2006.01) A61B 17/34 (2006.01)
A61B 17/12 (2006.01)

(US). MILLER, Kenneth, Lance [US/US]; 4066 Branble Court, Hamilton, OH 45011 (US).

(74) Agents: MORENO, Victor, C. et al.; Frost Brown Todd LLC, 2200 PNC Center, 201 East Fifth Street, Cincinnati, OH 45202 (US).

(21) International Application Number:

PCT/US2005/041668

(81) Designated States (unless otherwise indicated, for every kind of national protection available): AE, AG, AL, AM, AT, AU, AZ, BA, BB, BG, BR, BW, BY, BZ, CA, CH, CN, CO, CR, CU, CZ, DE, DK, DM, DZ, EC, EE, EG, ES, FI, GB, GD, GE, GH, GM, HR, HU, ID, IL, IN, IS, JP, KE, KG, KM, KN, KP, KR, KZ, LC, LK, LR, LS, LT, LU, LV, LY, MA, MD, MG, MK, MN, MW, MX, MZ, NA, NG, NI, NO, NZ, OM, PG, PH, PL, PT, RO, RU, SC, SD, SE, SG, SK, SL, SM, SY, TJ, TM, TN, TR, TT, TZ, UA, UG, US, UZ, VC, VN, YU, ZA, ZM, ZW.

(22) International Filing Date:

18 November 2005 (18.11.2005)

(25) Filing Language:

English

(26) Publication Language:

English

(30) Priority Data:

11/028,901 3 January 2005 (03.01.2005) US
11/254,057 19 October 2005 (19.10.2005) US

(84) Designated States (unless otherwise indicated, for every kind of regional protection available): ARIPO (BW, GH, GM, KE, LS, MW, MZ, NA, SD, SL, SZ, TZ, UG, ZM, ZW), Eurasian (AM, AZ, BY, KG, KZ, MD, RU, TJ, TM), European (AT, BE, BG, CH, CY, CZ, DE, DK, EE, ES, FI, FR, GB, GR, HU, IE, IS, IT, LT, LU, LV, MC, NL, PL, PT, RO, SE, SI, SK, TR), OAPI (BF, BJ, CF, CG, CI, CM, GA, GN, GQ, GW, ML, MR, NE, SN, TD, TG).

(71) Applicant (for all designated States except US): ATRICURE CORPORATION [US/US]; 6033 Schumacher Park Drive, West Chester, OH 45069 (US).

(72) Inventors; and

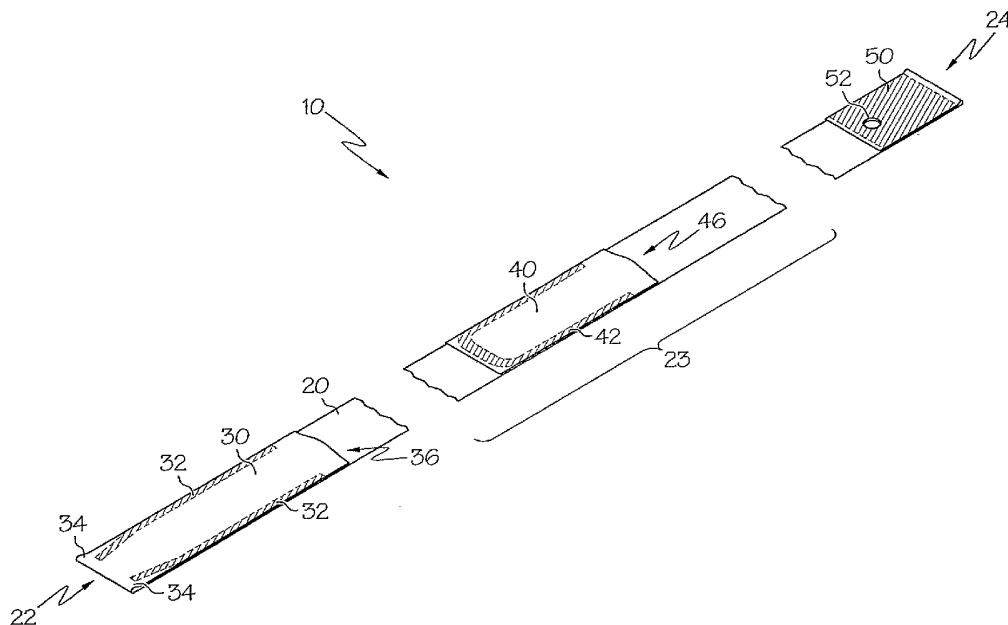
(75) Inventors/Applicants (for US only): PRIVITERA, Salvatore [US/US]; 6403 Edgebrook Court, Mason, OH 45040 (US). HUGHETT, James, David, Sr. [US/US]; 6534 Stonehenge Boulevard, Liberty Township, OH 45044

Published:

— with international search report

[Continued on next page]

(54) Title: INSTRUMENT GUIDE AND METHOD FOR USE



(57) Abstract: An instrument guide (10). An elongate flexible body (20) has a proximal end (24) and a distal end (22). The elongate body has two portions, one more resilient than the other. A distal pocket (30) is positioned adjacent the distal end of the elongate flexible body. An anchor (50) is provided to attach the guide to a surgical instrument.

WO 2006/073582 A3



(88) Date of publication of the international search report:
21 December 2006

For two-letter codes and other abbreviations, refer to the "Guidance Notes on Codes and Abbreviations" appearing at the beginning of each regular issue of the PCT Gazette.

INTERNATIONAL SEARCH REPORT

International application No
PCT/US2005/041668

A. CLASSIFICATION OF SUBJECT MATTER
INV. A61B1/00 A61B19/08 A61B17/12 A61B17/28 A61B17/34

According to International Patent Classification (IPC) or to both national classification and IPC

B. FIELDS SEARCHED

Minimum documentation searched (classification system followed by classification symbols)
A61B

Documentation searched other than minimum documentation to the extent that such documents are included in the fields searched

Electronic data base consulted during the international search (name of data base and, where practical, search terms used)

EPO-Internal

C. DOCUMENTS CONSIDERED TO BE RELEVANT

Category*	Citation of document, with indication, where appropriate, of the relevant passages	Relevant to claim No.
X A	WO 96/31155 A (GUTHRIE, ROBERT, B; POTTS, RICHARD, A) 10 October 1996 (1996-10-10) abstract; figures 6,11 page 11, line 31 - page 12, line 13 page 13, lines 14-20 page 14, line 27 - page 15, line 14	1-10, 12, 19 11, 13, 20
X A	US 4 887 615 A (TAYLOR ET AL) 19 December 1989 (1989-12-19) the whole document	1-6, 9, 10 7, 8, 11-13, 19, 20
A	US 2003/149440 A1 (KAMMERER GENE W ET AL) 7 August 2003 (2003-08-07) abstract; figures	20
	----- -/--	

Further documents are listed in the continuation of Box C.

See patent family annex.

* Special categories of cited documents :

- *A* document defining the general state of the art which is not considered to be of particular relevance
- *E* earlier document but published on or after the international filing date
- *L* document which may throw doubts on priority claim(s) or which is cited to establish the publication date of another citation or other special reason (as specified)
- *O* document referring to an oral disclosure, use, exhibition or other means
- *P* document published prior to the international filing date but later than the priority date claimed

- *T* later document published after the international filing date or priority date and not in conflict with the application but cited to understand the principle or theory underlying the invention
- *X* document of particular relevance; the claimed invention cannot be considered novel or cannot be considered to involve an inventive step when the document is taken alone
- *Y* document of particular relevance; the claimed invention cannot be considered to involve an inventive step when the document is combined with one or more other such documents, such combination being obvious to a person skilled in the art.
- *Z* document member of the same patent family

Date of the actual completion of the international search

4 September 2006

Date of mailing of the international search report

13/09/2006

Name and mailing address of the ISA/
European Patent Office, P.B. 5818 Patentlaan 2
NL - 2280 HV Rijswijk
Tel. (+31-70) 340-2040, Tx. 31 651 epo nl,
Fax: (+31-70) 340-3016

Authorized officer

Lager, J

INTERNATIONAL SEARCH REPORT

International application No
PCT/US2005/041668

C(Continuation). DOCUMENTS CONSIDERED TO BE RELEVANT

Category*	Citation of document, with indication, where appropriate, of the relevant passages	Relevant to claim No.
A	US 6 224 543 B1 (GAMMONS CLIFFORD EUGENE ET AL) 1 May 2001 (2001-05-01) abstract; figures column 3, line 3 - column 4, line 37 -----	20
A	WO 01/21231 A (GRAYZEL, JOSEPH; GRAYZEL, JEFFREY; ALLEN, WILLIAM; KARL, FRED; BACHMAN) 29 March 2001 (2001-03-29) abstract; figures -----	

INTERNATIONAL SEARCH REPORT

International application No.
PCT/US2005/041668

Box II Observations where certain claims were found unsearchable (Continuation of item 2 of first sheet)

This International Search Report has not been established in respect of certain claims under Article 17(2)(a) for the following reasons:

1. Claims Nos.: 14-18
because they relate to subject matter not required to be searched by this Authority, namely:
Rule 39.1(iv) PCT - Method for treatment of the human or animal body by surgery
2. Claims Nos.:
because they relate to parts of the International Application that do not comply with the prescribed requirements to such an extent that no meaningful International Search can be carried out, specifically:
3. Claims Nos.:
because they are dependent claims and are not drafted in accordance with the second and third sentences of Rule 6.4(a).

Box III Observations where unity of invention is lacking (Continuation of item 3 of first sheet)

This International Searching Authority found multiple inventions in this international application, as follows:

see additional sheet

1. As all required additional search fees were timely paid by the applicant, this International Search Report covers all searchable claims.
2. As all searchable claims could be searched without effort justifying an additional fee, this Authority did not invite payment of any additional fee.
3. As only some of the required additional search fees were timely paid by the applicant, this International Search Report covers only those claims for which fees were paid, specifically claims Nos.:
4. No required additional search fees were timely paid by the applicant. Consequently, this International Search Report is restricted to the invention first mentioned in the claims; it is covered by claims Nos.:

Remark on Protest

- The additional search fees were accompanied by the applicant's protest.
- No protest accompanied the payment of additional search fees.

This International Searching Authority found multiple (groups of) inventions in this international application, as follows:

1. claims: 1-13,19

A guide for a surgical instrument having an elongate flexible body, a distal pocket and a proximal anchor.

2. claim: 20

A guide for a surgical clamp having a distal and a proximal jaw comprising an elongate flexible body, a pocket dimensioned to receive a positioning mechanism and means for attaching the guide to the distal jaw of a surgical clamp.

INTERNATIONAL SEARCH REPORT

Information on patent family members

International application No PCT/US2005/041668

Patent document cited in search report	Publication date	Publication date	Patent family member(s)	Publication date
WO 9631155	A	10-10-1996	EP 0964637 A1 US 5619992 A	22-12-1999 15-04-1997
US 4887615	A	19-12-1989	NONE	
US 2003149440	A1	07-08-2003	US 2002188169 A1 US 2003023138 A1	12-12-2002 30-01-2003
US 6224543	B1	01-05-2001	NONE	
WO 0121231	A	29-03-2001	AU 7360600 A CA 2383567 A1 EP 1237490 A2 JP 2003509169 T	24-04-2001 29-03-2001 11-09-2002 11-03-2003