



US00D685993S

(12) **United States Design Patent**
Hylton

(10) **Patent No.:** **US D685,993 S**

(45) **Date of Patent:** **** Jul. 16, 2013**

(54) **HANGING POOL BASKET**

(76) Inventor: **Amy Lynne Hylton**, Broadway, VA (US)

(**) Term: **14 Years**

(21) Appl. No.: **29/395,495**

(22) Filed: **Jan. 31, 2012**

(51) **LOC (9) Cl.** **03-01**

(52) **U.S. Cl.**
USPC **D3/304**

(58) **Field of Classification Search**
USPC D6/512-513, 524-525, 552-553; D3/304,
D3/306; 248/302, 485, 488; 206/202, 513;
211/126.1, 134, 13.1, 557, 41.3, 41.4, 86.01,
211/88.01, 181.1
See application file for complete search history.

(56) **References Cited**

U.S. PATENT DOCUMENTS

D473,085 S *	4/2003	Walker	D6/525
D554,419 S *	11/2007	Thompson et al.	D6/566
D584,056 S *	1/2009	Ghiorghie	D6/513
D589,728 S *	4/2009	Shaha et al.	D6/510

D632,081 S *	2/2011	Klein et al.	D3/306
D636,198 S *	4/2011	Gibbs	D6/513
D650,209 S *	12/2011	Snider	D6/513
D651,801 S *	1/2012	Brown	D3/304
D667,634 S *	9/2012	Link et al.	D3/315

* cited by examiner

Primary Examiner — Kelley Donnelly

(74) *Attorney, Agent, or Firm* — Daniel L. Fitch

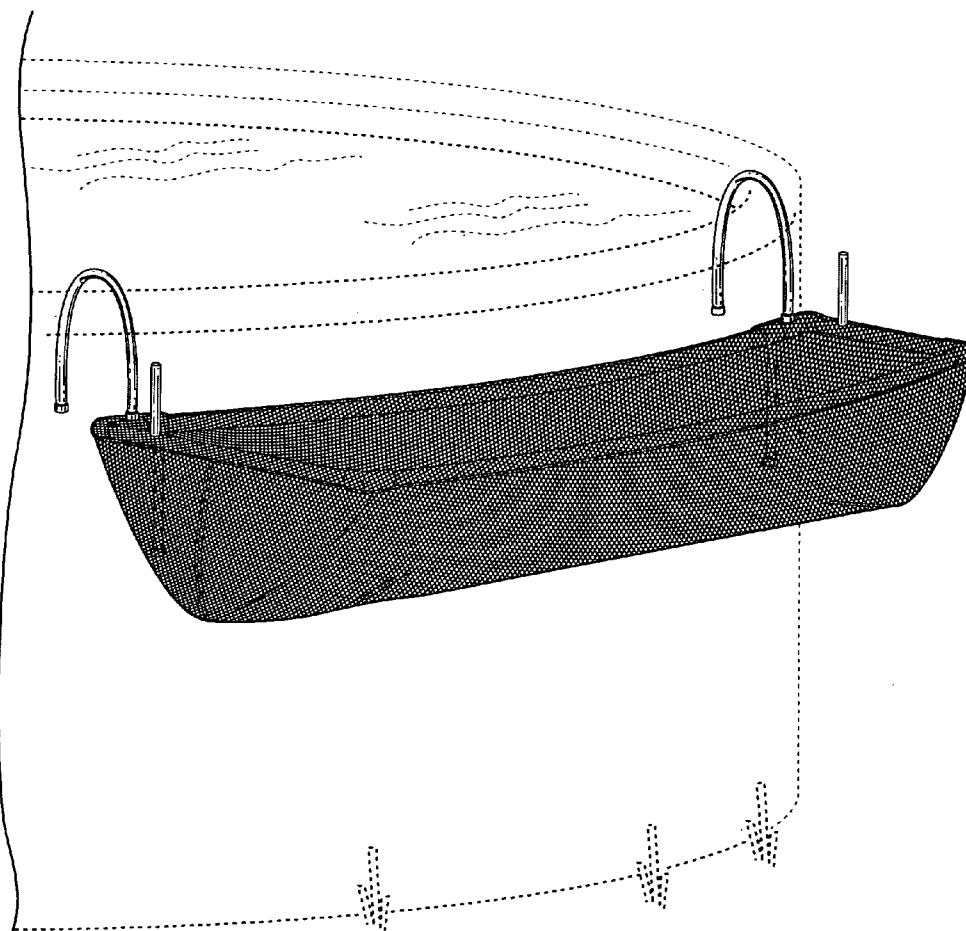
(57) **CLAIM**

The ornamental design for a hanging pool basket, as shown and described.

DESCRIPTION

FIG. 1 is a perspective view of a hanging pool basket showing my new design;
FIG. 2 is a front view thereof;
FIG. 3 is a back view thereof;
FIG. 4 is a top view thereof;
FIG. 5 is a bottom view thereof;
FIG. 6 is a right side view thereof; and,
FIG. 7 is a left side view thereof.

1 Claim, 4 Drawing Sheets



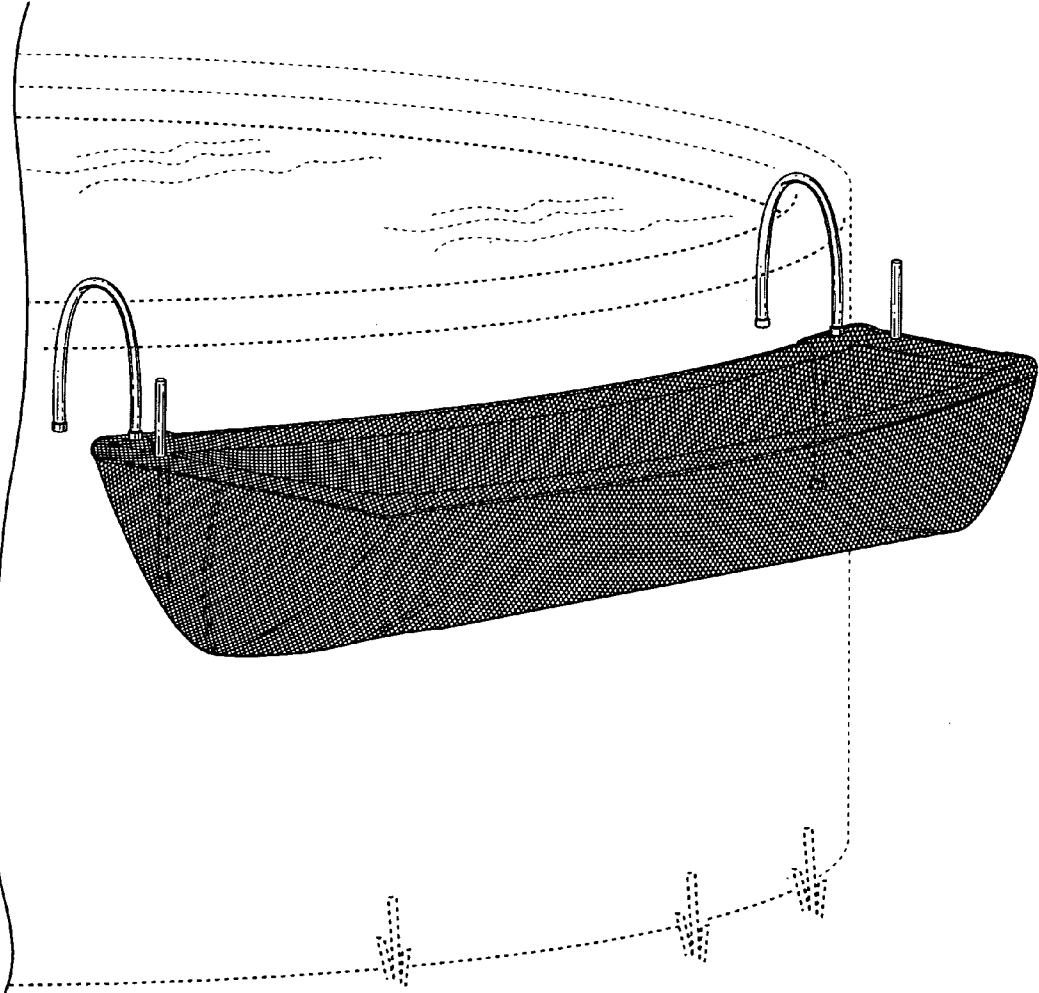


FIG. 1

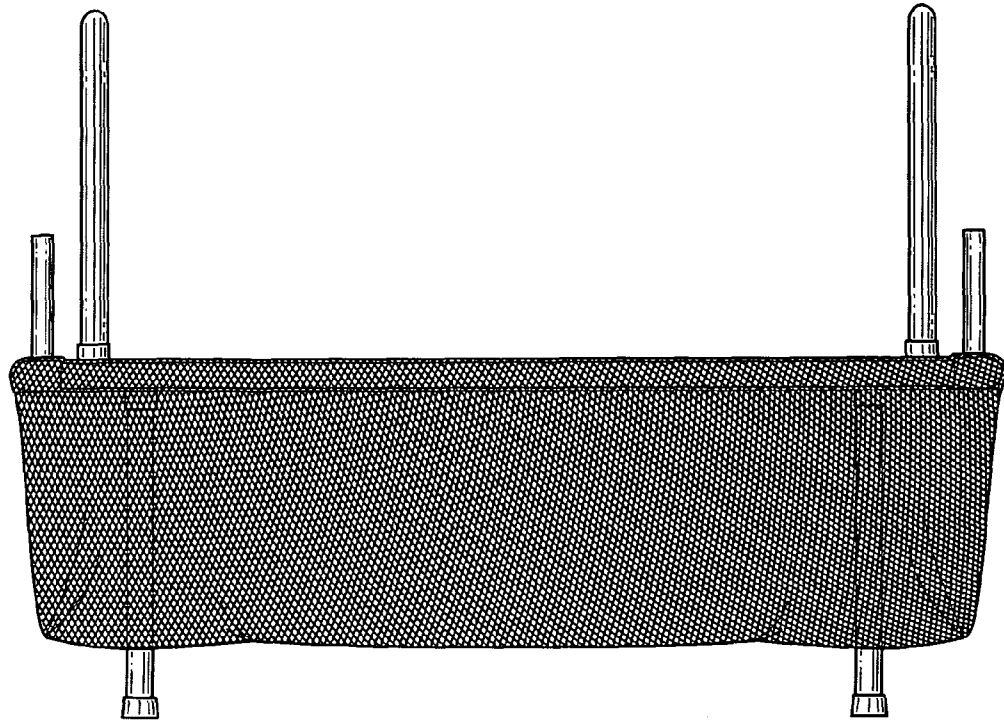


FIG. 2

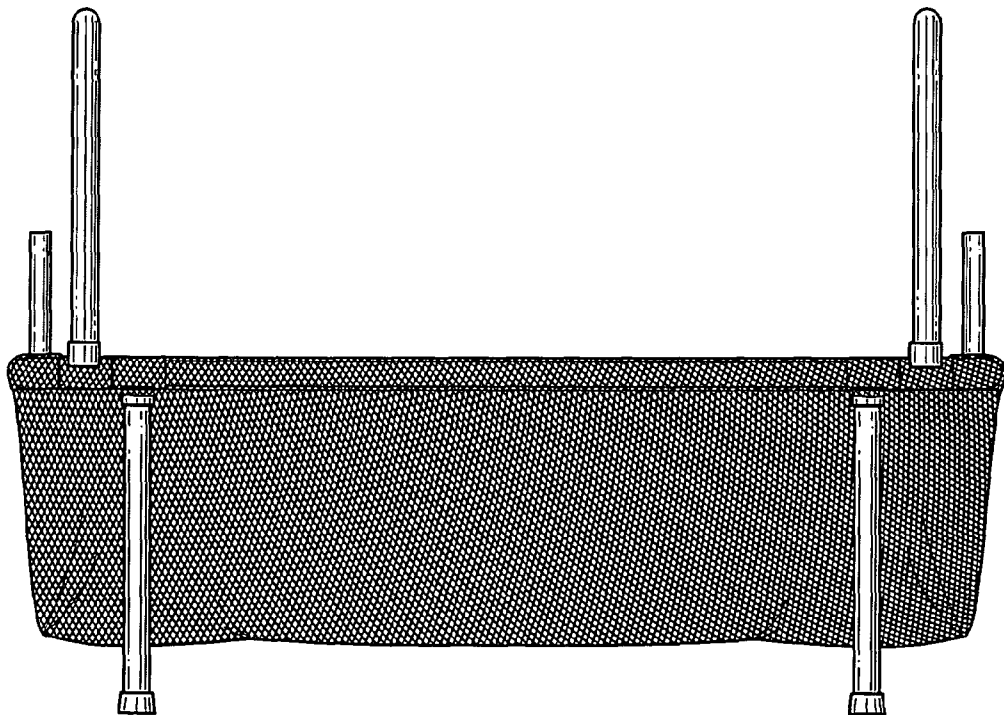


FIG. 3

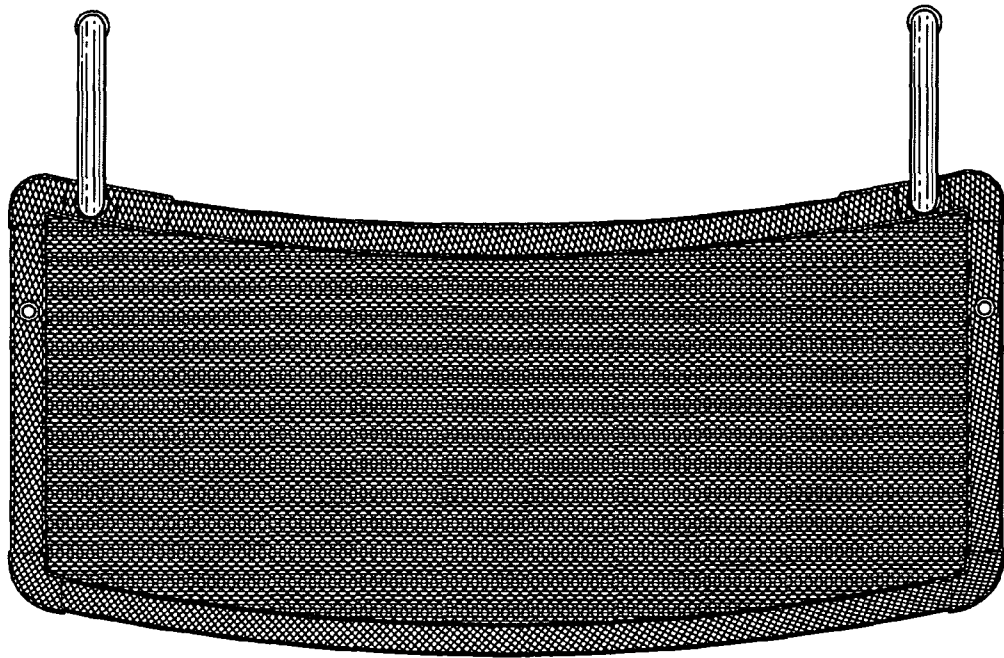


FIG. 4

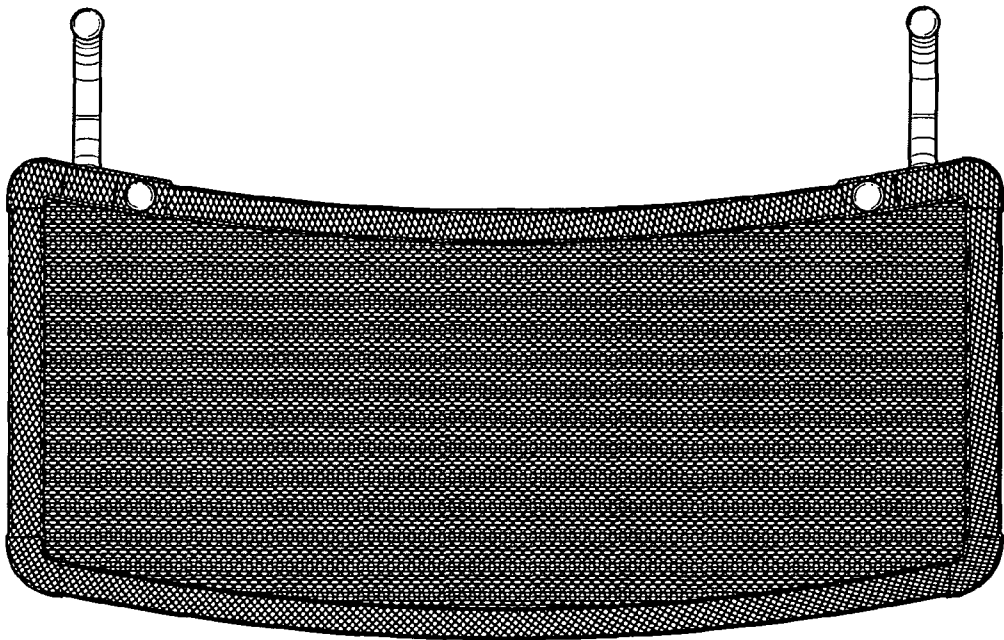


FIG. 5

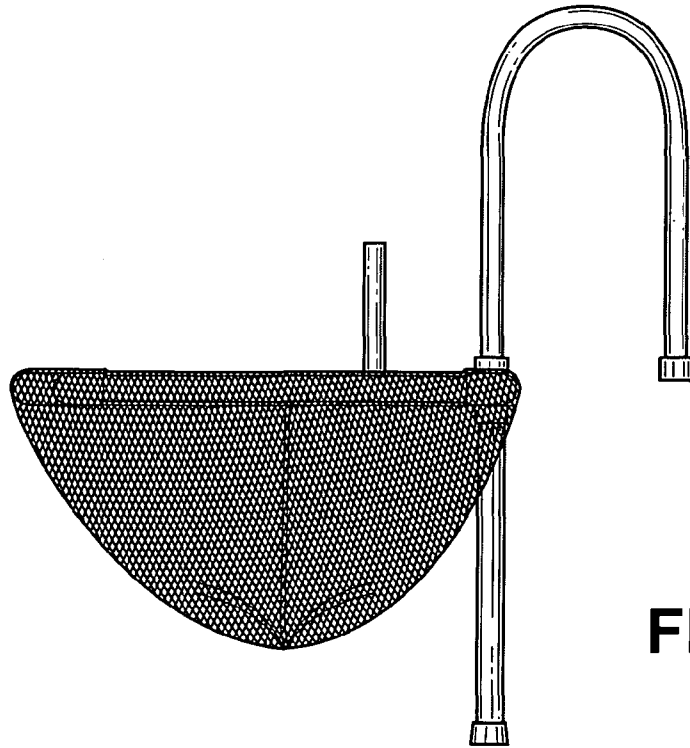


FIG. 6

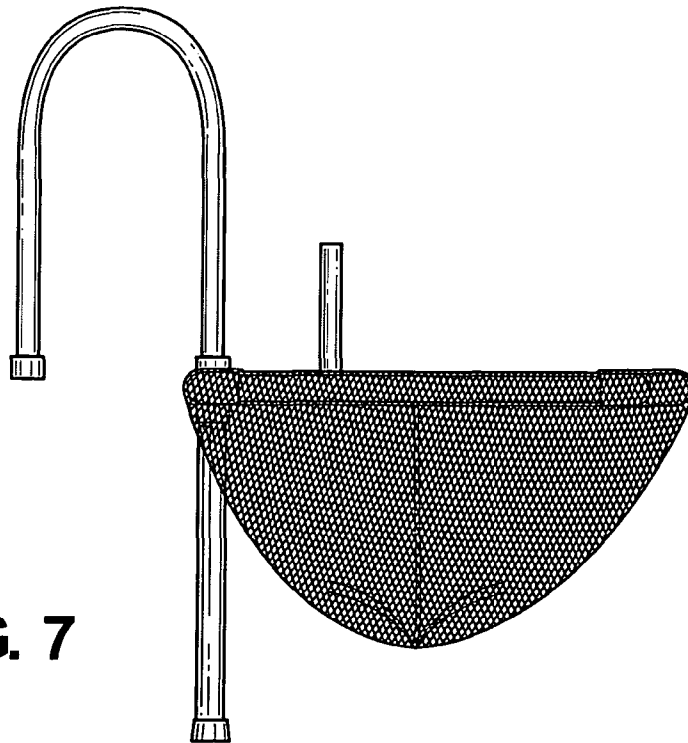


FIG. 7