



- (51) **International Patent Classification:**  
*F03D 7/02* (2006.01)      *F01D 9/04* (2006.01)
- (21) **International Application Number:**  
PCT/US2012/035771
- (22) **International Filing Date:**  
30 April 2012 (30.04.2012)
- (25) **Filing Language:** English
- (26) **Publication Language:** English
- (30) **Priority Data:**  
13/114,571      24 May 2011 (24.05.2011)      US
- (71) **Applicant (for all designated States except US):** **ADVANCED TECHNOLOGIES GROUP, INC.** [US/US];  
3489 S.E. Gran Park Way, Stuart, FL 34997 (US).
- (72) **Inventor; and**
- (75) **Inventor/Applicant (for US only):** **JUSTAK, John, F.** [US/US]; 171 S. Sewall's Point, Stuart, FL 34996 (US).
- (74) **Agent:** **KAUTZ, Thomas, L.**; Grayrobinson, P.A., P.O. Box 2328, Fort Lauderdale, FL 33303-9998 (US).
- (81) **Designated States (unless otherwise indicated, for every kind of national protection available):** AE, AG, AL, AM, AO, AT, AU, AZ, BA, BB, BG, BH, BR, BW, BY, BZ, CA, CH, CL, CN, CO, CR, CU, CZ, DE, DK, DM, DO, DZ, EC, EE, EG, ES, FI, GB, GD, GE, GH, GM, GT, HN, HR, HU, ID, IL, IN, IS, JP, KE, KG, KM, KN, KP, KR,

KZ, LA, LC, LK, LR, LS, LT, LU, LY, MA, MD, ME, MG, MK, MN, MW, MX, MY, MZ, NA, NG, NI, NO, NZ, OM, PE, PG, PH, PL, PT, QA, RO, RS, RU, RW, SC, SD, SE, SG, SK, SL, SM, ST, SV, SY, TH, TJ, TM, TN, TR, TT, TZ, UA, UG, US, UZ, VC, VN, ZA, ZM, ZW.

- (84) **Designated States (unless otherwise indicated, for every kind of regional protection available):** ARIPO (BW, GH, GM, KE, LR, LS, MW, MZ, NA, RW, SD, SL, SZ, TZ, UG, ZM, ZW), Eurasian (AM, AZ, BY, KG, KZ, RU, TJ, TM), European (AL, AT, BE, BG, CH, CY, CZ, DE, DK, EE, ES, FI, FR, GB, GR, HR, HU, IE, IS, IT, LT, LU, LV, MC, MK, MT, NL, NO, PL, PT, RO, RS, SE, SI, SK, SM, TR), OAPI (BF, BJ, CF, CG, CI, CM, GA, GN, GQ, GW, ML, MR, NE, SN, TD, TG).

**Declarations under Rule 4.17:**

- as to applicant's entitlement to apply for and be granted a patent (Rule 4.17(ii))
- as to the applicant's entitlement to claim the priority of the earlier application (Rule 4.17(iii))
- of inventorship (Rule 4.17(iv))

**Published:**

- with international search report (Art. 21(3))

**(88) Date of publication of the international search report:**

11 April 2013

(54) **Title:** ADJUSTABLE EXHAUST APPARATUS FOR A RAM AIR TURBINE GENERATING SYSTEM

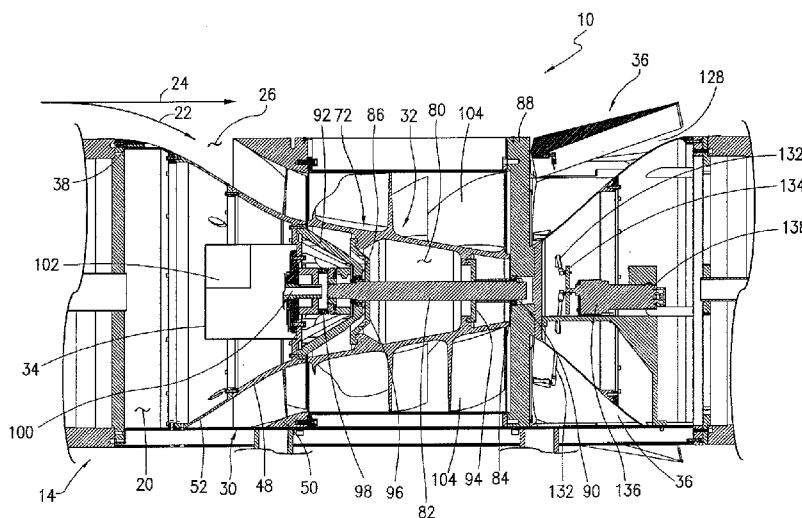


FIG. 2

(57) **Abstract:** An adjustable exhaust apparatus for use with a pod having a pod housing formed with at least one exhaust opening comprises a number of exhaust panels each hinged to the pod housing in position to move between a closed position in which the at least one exhaust opening is sealed, and an open position in which the exhaust panels are oriented at up to about a 30° angle relative to the pod housing. The exhaust panels, when in the open position, are effective to create a negative pressure within at least the aft portion of the pod housing to draw air into the pod and to assist in maintaining or at least avoiding an appreciable drop in the kinetic energy of an air stream moving through the pod interior.



INTERNATIONAL SEARCH REPORT

International application No  
PCT/US2012/035771

A. CLASSIFICATION OF SUBJECT MATTER  
INV. F01D17/14 F03D1/04  
ADD.  
According to International Patent Classification (IPC) or to both national classification and IPC

B. FIELDS SEARCHED  
Minimum documentation searched (classification system followed by classification symbols)  
B64D F01D F03D F02K

Documentation searched other than minimum documentation to the extent that such documents are included in the fields searched

Electronic data base consulted during the international search (name of data base and, where practicable, search terms used)  
EPO-Internal, WPI Data

C. DOCUMENTS CONSIDERED TO BE RELEVANT

Category*	Citation of document, with indication, where appropriate, of the relevant passages	Relevant to claim No.
X	US 2010/171314 A1 (TACKETT JUSTIN DALE [US]) 8 July 2010 (2010-07-08) paragraph [0030] - paragraph [0047] paragraph [0048] - paragraph [0054]; claims 1-3; figures 5-8	1,3-6
X	GB 1 142 660 A (GEN ELECTRIC) 12 February 1969 (1969-02-12) page 1, line 1 - page 2, line 60; figures 1-6 page 2, line 90 - page 3, line 55 page 3, line 85 - page 5, line 50 ----- -/--	1-4

Further documents are listed in the continuation of Box C.

See patent family annex.

\* Special categories of cited documents :

- "A" document defining the general state of the art which is not considered to be of particular relevance
- "E" earlier application or patent but published on or after the international filing date
- "L" document which may throw doubts on priority claim(s) or which is cited to establish the publication date of another citation or other special reason (as specified)
- "O" document referring to an oral disclosure, use, exhibition or other means
- "P" document published prior to the international filing date but later than the priority date claimed

- "T" later document published after the international filing date or priority date and not in conflict with the application but cited to understand the principle or theory underlying the invention
- "X" document of particular relevance; the claimed invention cannot be considered novel or cannot be considered to involve an inventive step when the document is taken alone
- "Y" document of particular relevance; the claimed invention cannot be considered to involve an inventive step when the document is combined with one or more other such documents, such combination being obvious to a person skilled in the art
- "&" document member of the same patent family

Date of the actual completion of the international search 17 December 2012	Date of mailing of the international search report 03/01/2013
---	--

Name and mailing address of the ISA/ European Patent Office, P.B. 5818 Patentlaan 2 NL - 2280 HV Rijswijk Tel. (+31-70) 340-2040, Fax: (+31-70) 340-3016	Authorized officer Herdemann, Claire
--	---

## INTERNATIONAL SEARCH REPORT

International application No  
PCT/US2012/035771

C(Continuation). DOCUMENTS CONSIDERED TO BE RELEVANT		
Category*	Citation of document, with indication, where appropriate, of the relevant passages	Relevant to claim No.
X	WO 2010/119209 A1 (AIRCELLE SA [FR]; HISPANO SUIZA SA [FR]; MAALIOUNE HAKIM [FR]; LE-COQ) 21 October 2010 (2010-10-21) page 1, line 3 - page 4, line 24; figures 1-3 page 5, line 1 - page 7, line 21 -----	1-3
Y	US 2011/033280 A1 (JUSTAK JOHN F [US]) 10 February 2011 (2011-02-10) paragraph [0001] - paragraph [0007]; figures 1-5 paragraph [0014] - paragraph [0021] -----	1-6
Y	CA 2 753 122 A1 (AIRBUS OPERATIONS GMBH [DE]) 2 September 2010 (2010-09-02) page 1, line 4 - page 6, line 6; figure 1 page 6, line 21 - page 13, line 13 -----	1-6
A	US 2002/122717 A1 (GHETZLER RICHARD [US] ET AL) 5 September 2002 (2002-09-05) the whole document -----	1-6

# INTERNATIONAL SEARCH REPORT

Information on patent family members

International application No

PCT/US2012/035771

Patent document cited in search report	Publication date	Patent family member(s)	Publication date
US 2010171314	A1	08-07-2010	NONE
-----			
GB 1142660	A	12-02-1969	BE 687391 A 01-03-1967
			DE 1526820 A1 14-05-1970
			GB 1142660 A 12-02-1969
-----			
WO 2010119209	A1	21-10-2010	CA 2758132 A1 21-10-2010
			CN 102395776 A 28-03-2012
			EP 2419619 A1 22-02-2012
			FR 2944564 A1 22-10-2010
			US 2012031071 A1 09-02-2012
			WO 2010119209 A1 21-10-2010
-----			
US 2011033280	A1	10-02-2011	NONE
-----			
CA 2753122	A1	02-09-2010	CA 2753122 A1 02-09-2010
			CN 102333699 A 25-01-2012
			DE 102009010243 A1 02-09-2010
			EP 2401203 A2 04-01-2012
			JP 2012518569 A 16-08-2012
			US 2012006938 A1 12-01-2012
			WO 2010097213 A2 02-09-2010
-----			
US 2002122717	A1	05-09-2002	AT 331120 T 15-07-2006
			AU 772226 B2 22-04-2004
			AU 4164600 A 31-07-2000
			BR 9917072 A 15-06-2004
			CA 2355280 A1 06-07-2000
			DE 69932086 T2 25-01-2007
			EP 1141522 A2 10-10-2001
			ES 2268906 T3 16-03-2007
			US 6270309 B1 07-08-2001
			US 2002122717 A1 05-09-2002
			WO 0038985 A2 06-07-2000
-----			