

(12) INTERNATIONAL APPLICATION PUBLISHED UNDER THE PATENT COOPERATION TREATY (PCT)

(19) World Intellectual Property
Organization
International Bureau

(43) International Publication Date
26 March 2020 (26.03.2020)



(10) International Publication Number
WO 2020/061299 A1

(51) International Patent Classification:

A61M 13/00 (2006.01) A61M 39/06 (2006.01)
A61B 17/34 (2006.01) A61B 17/00 (2006.01)

(21) International Application Number:

PCT/US2019/051914

(22) International Filing Date:

19 September 2019 (19.09.2019)

(25) Filing Language:

English

(26) Publication Language:

English

(30) Priority Data:

16/138,354 21 September 2018 (21.09.2018) US

(71) Applicant: **CONMED CORPORATION** [US/US]; 525 French Road, Utica, NY 13502 (US).

(72) Inventors: **SILVER, Mikiya**; 15 Orange Street, Apt. 404, New Haven, CT 06510 (US). **KANE, Michael, J.**; 3 William Lane, Clinton, CT 06413 (US). **AUGELLI, Michael, J.**; 89 Salem Road, Prospect, CT 06712 (US).

(74) Agent: **WOFSY, Scott, D.** et al.; Locke Lord LLP, P.O. Box 55874, Boston, MA 02205 (US).

(81) Designated States (unless otherwise indicated, for every kind of national protection available): AE, AG, AL, AM, AO, AT, AU, AZ, BA, BB, BG, BH, BN, BR, BW, BY, BZ, CA, CH, CL, CN, CO, CR, CU, CZ, DE, DJ, DK, DM, DO,

DZ, EC, EE, EG, ES, FI, GB, GD, GE, GH, GM, GT, HN, HR, HU, ID, IL, IN, IR, IS, JO, JP, KE, KG, KH, KN, KP, KR, KW, KZ, LA, LC, LK, LR, LS, LU, LY, MA, MD, ME, MG, MK, MN, MW, MX, MY, MZ, NA, NG, NI, NO, NZ, OM, PA, PE, PG, PH, PL, PT, QA, RO, RS, RU, RW, SA, SC, SD, SE, SG, SK, SL, SM, ST, SV, SY, TH, TJ, TM, TN, TR, TT, TZ, UA, UG, US, UZ, VC, VN, ZA, ZM, ZW.

(84) Designated States (unless otherwise indicated, for every kind of regional protection available): ARIPO (BW, GH, GM, KE, LR, LS, MW, MZ, NA, RW, SD, SL, ST, SZ, TZ, UG, ZM, ZW), Eurasian (AM, AZ, BY, KG, KZ, RU, TJ, TM), European (AL, AT, BE, BG, CH, CY, CZ, DE, DK, EE, ES, FI, FR, GB, GR, HR, HU, IE, IS, IT, LT, LU, LV, MC, MK, MT, NL, NO, PL, PT, RO, RS, SE, SI, SK, SM, TR), OAPI (BF, BJ, CF, CG, CI, CM, GA, GN, GQ, GW, KM, ML, MR, NE, SN, TD, TG).

Published:

— with international search report (Art. 21(3))

(54) Title: MULTI-MODAL FIVE LUMEN GAS CIRCULATION SYSTEM FOR USE IN ENDOSCOPIC SURGICAL PROCEDURES

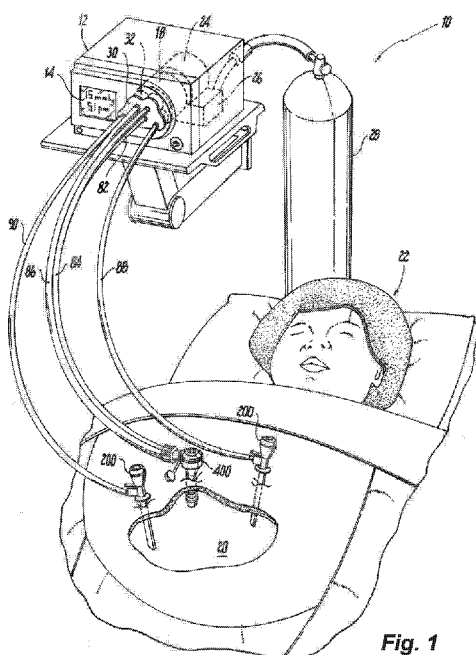


Fig. 1

(57) Abstract: A system is disclosed for performing an endoscopic surgical procedure in a surgical cavity, which includes a multi-modal gas delivery device including a primary gas circulation pump, a secondary gas circulation pump and an insufflation subunit, and an interface plate adapted and configured to engage with the multi-modal gas delivery device and including a connector and a filter seat corresponding to five different lumens, each of which provides a different functionality.



WO 2020/061299 A1

**MULTI-MODAL FIVE LUMEN GAS CIRCULATION SYSTEM FOR
USE IN ENDOSCOPIC SURGICAL PROCEDURES**

5 **CROSS-REFERENCE TO RELATED APPLICATION**

 This application claims the benefit of priority from U.S. Patent Application Serial No. 16/138,354, filed September 21, 2018 the disclosure of which is incorporated herein by reference.

10 **BACKGROUND OF THE INVENTION**

1. **Field of the Invention**

 The subject invention is directed to endoscopic surgery, and more particularly, to a surgical gas circulation system that is adapted and configured for multi-modal operation including insufflation, recirculation and smoke evacuation using a filtered
15 tube set having five separate lumens.

2. **Description of Related Art**

 Endoscopic surgical techniques are well known. Indeed, laparoscopic surgical procedures performed in the abdominal cavity, such as such as cholecystectomies, appendectomies, hernia repair and nephrectomies have become commonplace.
20 Benefits of such minimally invasive procedures include reduced trauma to the patient, reduced opportunity for infection, and decreased recovery time. Such procedures are typically performed through a device known as a trocar or cannula, which facilitates the introduction of laparoscopic instruments into the abdominal cavity of a patient.

 Endoscopic surgical procedures performed in other surgical cavities or areas of
25 the body include thoracoscopic surgical procedures performed in the thoracic cavity of a patient, as well as, endo-luminal surgical procedures, such as trans-anal and trans-esophageal surgical procedures.

Endoscopic surgical procedures commonly involve filling or "insufflating" the surgical cavity with a pressurized fluid, such as carbon dioxide, to create an operating space. In the case of laparoscopy in the abdominal cavity, this is referred to as a pneumoperitoneum. Insufflation can be carried out by a surgical access device, such as
5 a trocar, equipped to deliver insufflation fluid, or by a separate insufflation device, such as an insufflation (veress) needle.

The trocar must also provide a way to maintain the pressure within the surgical cavity by sealing between the trocar and the surgical instrument being used, while still allowing at least a minimum amount of freedom of movement for the surgical
10 instruments. Mechanical seals are typically provided on trocars to prevent the escape of insufflation gas from the surgical cavity. These seals often comprise a duckbill-type valve made of a relatively pliable material, which seals around an outer surface of a surgical instrument passing through the trocar.

SurgiQuest, Inc., a wholly owned subsidiary of ConMed Corporation has
15 developed unique gas sealed surgical access devices that permit ready access to an insufflated surgical cavity without the need for conventional mechanical seals, as described, for example, in U.S. Patent Nos. 8,795,223 and 9,907,569, the disclosures of which are herein incorporated by reference in their entireties. These gas sealed devices have an inner tubular body portion that defines a central lumen for introducing surgical
20 instruments to the surgical cavity and an outer tubular body portion that defines an annular outer lumen surrounding the inner tubular body portion for delivering insufflation gas to the surgical cavity and for facilitating periodic sensing of cavity pressure. During use, pressurized gas is delivered to the access device, where it is accelerated by internal jet nozzles to create a gaseous sealing zone within the central

lumen of the access device. Gas that has been used to generate the gaseous sealing zone is carried away from the access device by way of a suction line.

These dual-lumen gas sealed access devices are designed for use with a unique multi-modal surgical gas delivery device, as described in commonly assigned U.S.

5 Patent Nos. 9,067,030 and 9,526,849, the disclosures of which are herein incorporated by reference. This gas delivery device includes an insufflation subunit for delivering insufflation gas to the outer annular lumen of the access device, and for taking period pressure readings from the surgical cavity. The gas delivery device further includes a gas circulation pump for delivering pressurized gas to the nozzle jets located within in
10 the access device and for carrying away spent gas from the access device, thereby forming a gas recirculation path between the pump and the access port.

Those skilled in the art will readily appreciate that electrocautery devices are regularly used during endoscopic surgical procedures. These devices are used to cut and/or coagulate tissue, and typically give off smoke during this process. The smoke
15 can cloud the vision of the endoscopic camera, leading to delays in surgery or requiring the surgical team to evacuate that smoke from the surgical cavity.

It is known to utilize a dual-lumen gas sealed access device in conjunction with a multi-modal gas delivery device to remove smoke filled gas from a surgical cavity, while maintaining a gaseous seal within the access device. In this mode of operation,
20 smoke removal is conducted by way of the gas recirculation path used to generate the gaseous seal in the access device, which is filtered on both the input and output legs of the path. Moreover, smoke filled gas will flow up through the central lumen of the access device and into the gas recirculation path by way of a “chimney” effect, where it will be filtered within the suction line.

While this method of smoke evacuation has been somewhat effective, it has certain shortcomings. First, the smoke evacuation mode of the current multi-modal gas delivery device described in U.S. Patent Nos. 9,067,030 and 9,526,849 does not operate continuously. Rather, it toggles on and off, because the addition of insufflation gas
5 through the outer annular lumen of the access device must be interrupted so that the insufflation subunit within the gas delivery device can accurately sense cavity pressure. Second, some of the smoke filled gas flows up through the central lumen of the gas sealed access device can find its way out of the open end of the access device, where it is released into the operating room, creating undesirable odors.

10 It would be beneficial therefore to separate the smoke evacuation function from the gas recirculation function of the gas sealed access port so that smoke evacuation can be performed continuously and so that smoke filled gas is not unnecessarily released into the operating room environment through the open end of the gas sealed access port.

15 The subject invention provides a beneficial solution to these problems by incorporating a second gas circulation pump into the multi-modal gas delivery device, which is dedicated to smoke evacuation, thereby separating smoke evacuation from the gas recirculation path used to create the gaseous sealing zone in a gas sealed access device.

20

SUMMARY OF THE DISCLOSURE

The subject invention is directed to a new and useful system for performing an endoscopic surgical procedure in a surgical cavity, which includes a multi-modal gas delivery device including a primary gas circulation pump, a secondary gas circulation
5 pump and an insufflation subunit, and an interface plate adapted and configured to engage with the multi-modal gas delivery device and including a connector and a filter seat corresponding to each of five separate and distinct lumens.

The first lumen is an insufflation and sensing lumen for delivering insufflation gas from the insufflation subunit to the surgical cavity and for facilitating sensing of
10 surgical cavity pressure. The second lumen is a gas delivery lumen for delivering pressurized gas from the primary gas circulation pump to a gas sealed access device. The third lumen is a gas return lumen for returning gas used to generate a gaseous seal within the gas sealed access device back to the primary gas circulation pump. The
15 fourth lumen is a smoke evacuation lumen for removing smoke filled gas from the surgical cavity by way of the secondary gas circulation pump. The fifth lumen is a recirculation supply lumen for returning filtered gas back to the surgical cavity from the secondary gas circulation pump.

In one embodiment of the subject invention, the insufflation and sensing lumen is attached to a respective connector of the interface plate, and a modular bi-directional
20 filter canister is seated on the interface plate to communicate with the attached lumen. Furthermore, a distal end of the insufflation and sensing lumen has a coupling that is adapted and configured to connect with a valve sealed access device.

In another embodiment of the subject invention, the insufflation and sensing lumen, the gas delivery lumen and the gas return lumen are attached to respective connectors of the interface plate, and modular bi-directional filter canisters are seated on the interface plate to communicate with each of the attached lumens. Furthermore, 5 distal ends of the insufflation and sensing lumen, the gas delivery lumen and the gas return lumen are attached to a tri-lumen coupling that is adapted and configured to connect with the gas sealed access device. Alternatively, distal ends of the gas delivery lumen and the gas return lumen are attached to a bi-lumen coupling that is adapted and configured to connect with the gas sealed access device, and a distal end of the 10 insufflation and sensing lumen has a coupling that is adapted and configured to connect with a valve sealed access device.

In yet another embodiment of the subject invention, the smoke evacuation lumen and the recirculation supply lumen are attached to respective connectors of the interface plate, and filter canisters are seated on the interface plate to communicate with 15 each of the attached lumens. Furthermore, a distal end of the smoke evacuation lumen has a coupling that is adapted and configured to connect with a first valve sealed access device and a distal end of the recirculation supply lumen has a coupling that is adapted and configured to connect with a second valve sealed access device.

In still another embodiment of the subject invention, the insufflation and 20 sensing lumen, the smoke evacuation lumen and the recirculation supply lumen are attached to respective connectors of the interface plate, and filter canisters are seated on the interface plate to communicate with each of the attached lumens. Furthermore, a distal end of the insufflation and sensing lumen has a coupling that is adapted and configured to connect with a first valve sealed access device, a distal end of the smoke 25 evacuation lumen has a coupling that is adapted and configured to connect with a

second valve sealed access device and a distal end of the recirculation supply lumen has a coupling that is adapted and configured to connect with a third valve sealed access device.

In an ultimate embodiment of the subject invention, the insufflation and sensing
5 lumen, the gas delivery lumen, the gas return lumen, the smoke evacuation lumen and the recirculation supply lumen are all attached to respective connectors of the interface plate, and modular filter canisters are seated on the interface plate to communicate with each of the attached lumens. Furthermore, distal ends of the insufflation and sensing
10 lumen, the gas delivery lumen and the gas return lumen are attached to a tri-lumen coupling that is adapted and configured to connect with the gas sealed access device, a distal end of the smoke evacuation lumen has a coupling that is adapted and configured to connect with a first valve sealed access device and a distal end of the recirculation supply lumen has a coupling that is adapted and configured to connect with a second valve sealed access device.

15 Alternatively, distal ends of the gas delivery lumen and the gas return lumen are attached to a bi-lumen coupling that is adapted and configured to connect with the gas sealed access device, a distal end of the insufflation and sensing lumen has a coupling that is adapted and configured to connect with a first valve sealed access device, a distal end of the smoke evacuation lumen has a coupling that is adapted and configured
20 to connect with a second valve sealed access device and a distal end of the recirculation supply lumen has a coupling that is adapted and configured to connect with a third valve sealed access device.

It is envisioned that each filter seat of the interface plate would be configured to receive a uniform or common modular filter canister that includes a pleated filter
25 element for filtering gas flowing therethrough. Those skilled in the art will readily

appreciate that the modularity and commonality of the filter canisters provides benefits and advantages in terms of decreased manufacturing costs, reduced inventory and ease of assembly. Each modular filter canister is preferably attached to a respective filter seat by conventional means known in the art such as, for example, an adhesive, ultrasonic welding, spin welding, and laser welding or by way of a threaded fit or an interference fit.

Preferably, the filter element in each canister is configured for bi-directional flow so that it can be utilized to filter a flow of clean pressurized gas coming from the outlet side of a gas circulation pump or an outlet flow of spent or smoke filled gas going to the suction side of a gas circulation pump. The bi-directional filter element within each canister is preferably selected from a group of filter media consisting of a pleated filter media, a woven polymer mesh filter media, a non-woven polymer mesh filter media, sintered metal filter media, a sintered polymer filter media, an activated carbon filter media, and a particulate filter media. Each filter canister also includes means for detecting a fluid level within the filter canister. This can include an optical sensors or the like.

It is envisioned that the interface plate could include a permanent or integral filter canister operatively associated with the filter seat that communicates with the insufflation and sensing lumen, while the four other filter seats would each have the previously described modular filter canister associated therewith. This is because nearly every embodiment or version of the interface plate would likely include the insufflation and sensing lumen. It is the most often gas path used in the embodiment of the subject invention described herein.

It is also envisioned that the interface plate would include means for communicating information to a controller in the gas delivery device identifying

which of the five lumens is attached to the interface plate. The information received from an interface plate of a tube set is preferably communicated to the gas delivery device by way of an RFID communication link, an NFC communication link, a Bluetooth communication link, a WiFi communication link or by way of
5 microswitches.

The subject invention is also directed to an interface plate for a multi-modal gas delivery device used in performing an endoscopic surgical procedure in a surgical cavity. The interface plate includes a first connector for an insufflation and sensing lumen that delivers insufflation gas from an insufflation subunit in the gas delivery
10 device to the surgical cavity and facilitates sensing of surgical cavity pressure, a second connector for a gas delivery lumen that delivers pressurized gas from a primary gas circulation pump in the gas delivery device to a gas sealed access device, a third connector for a gas return lumen that returns gas used to generate a gaseous seal within the gas sealed access device back to the primary gas circulation pump, a fourth
15 connector for a smoke evacuation lumen that removes smoke filled gas from the surgical cavity by way of a secondary gas circulation pump in the gas delivery device, and a fifth connector for a recirculation supply lumen that returns filtered gas back to the surgical cavity from the secondary gas circulation pump.

The interface plate further includes a filter seat corresponding to each of the five
20 connectors for receiving a respective filter canister. In one embodiment of the subject invention, an insufflation and sensing lumen is attached to the first connector of the interface plate, and a filter canister is seated on the interface plate to communicate with the attached lumen. In another embodiment of the subject invention, an insufflation and sensing lumen is attached to the first connector of the interface plate, a gas delivery
25 lumen is attached to the second connector of the interface plate and a gas return lumen

is attached to the third of the interface plate, and filter canisters are seated on the interface plate to communicate with each of the attached lumens.

In yet another embodiment of the subject invention, a smoke evacuation lumen is attached to the fourth connector of the interface plate and a recirculation supply lumen is attached to the fifth connector of the interface plate, and filter canisters are seated on the interface plate to communicate with each of the attached lumens. In still another embodiment of the subject invention, an insufflation and sensing lumen is attached to the first connector of the interface plate, a smoke evacuation lumen is attached to the fourth connector of the interface plate and a recirculation supply lumen is attached to the fifth connector of the interface plate, and filter canisters are seated on the interface plate to communicate with each of the attached lumens.

In an ultimate embodiment of the interface plate of the subject invention, an insufflation and sensing lumen is attached to the first connector of the interface plate, a gas delivery lumen is attached to the second connector of the interface plate, a return lumen is attached to the third connector of the interface plate, a smoke evacuation lumen is attached to the fourth connector of the interface plate and a recirculation supply lumen is attached to the fifth connector of the interface plate, and filter canisters are seated on the interface plate to communicate with each of the attached lumens.

The subject invention is also directed to a multi-modal gas delivery device for performing an endoscopic surgical procedure in a surgical cavity, which includes an insufflation subunit for delivering insufflation gas from a gas source to the surgical cavity and for sensing pressure within the surgical cavity, a primary gas circulation pump for delivering pressurized gas to a gas sealed access port so as to generate a gaseous seal therein and thereby maintain a stable pressure within the surgical cavity

and for receiving gas returning from the gas sealed access port that was used to form the gaseous seal, and a secondary gas circulation pump for continuously evacuating smoke filled gas from the surgical cavity. The secondary pump can operate regardless of the sensed pressure within the surgical cavity. Preferably, the secondary gas

5 circulation pump is further configured to return filtered gas to the surgical cavity.

The gas delivery device further comprises a controller for initiating an operating mode from a group of operating modes including: i) an insufflation mode driven by the insufflation subunit; ii) an insufflation and gas circulation mode driven by the insufflation subunit and the primary gas circulation pump; iii) a smoke

10 evacuation and gas return mode driven by the secondary gas circulation pump; iv) an insufflation and smoke evacuation mode driven by the insufflation subunit and the secondary gas circulation pump; v) an insufflation, smoke evacuation and gas return mode driven by the insufflation subunit and the secondary gas circulation pump; and

15 vi) an insufflation and gas circulation mode driven by the insufflation subunit and the primary gas circulation pump, together with smoke evacuation and gas return driven by the secondary gas circulation pump.

Preferably, the controller is adapted and configured to determine which operating mode to initiate based upon information received from an interface plate of a tube set operatively associated therewith. The information received from an interface

20 plate of a tube set is preferably communicated to the gas delivery device by way of an RFID communication link, an NFC communication link, a Bluetooth communication link, a WiFi communication link or by way of micro-switches.

These and other features of the gas circulation system of the subject invention will become more readily apparent to those having ordinary skill in the art to which the

subject invention appertains from the detailed description of the preferred embodiments taken in conjunction with the following brief description of the drawings.

BRIEF DESCRIPTION OF THE DRAWINGS

So that those skilled in the art will readily understand how to make and use the gas circulation system of the subject invention without undue experimentation, preferred embodiments thereof will be described in detail herein below with reference
5 to the figures wherein:

Fig. 1 is a perspective view of the gas circulation system of the subject invention in use during the performance of a laparoscopic surgical procedure, which includes a multi-modal gas delivery device having an interface plate connected to a tri-lumen tube set associated with a gas sealed access port, along with a smoke evacuation
10 lumen and a recirculation supply lumen associated with two valve sealed access ports;

Fig. 1A is a perspective view of a valve sealed access port with a conventional luer fitting for coupling with a single lumen connector;

Fig. 1B is a perspective view of a single lumen gas sealed access port with a bi-lumen fitting for coupling with a bi-lumen connector associated with a bi-lumen tube
15 set;

Fig. 1C is a perspective view of a dual lumen gas sealed access port a tri-lumen fitting for coupling with a tri-lumen connector associated with a tri-lumen tube set;

Fig. 2 is a schematic representation of the multi-modal gas delivery device shown in Fig. 1, which includes an insufflation subunit and a primary gas circulation
20 pump for communicating with the insufflation and sensing lumen, the gas delivery lumen and the gas return lumen, and a secondary gas circulation pump for communicating with the smoke evacuation lumen and the recirculation supply lumen;

Fig. 3 is a perspective view of the interface plate of the subject invention, as viewed from the front or external surface thereof, illustrating the five connectors
25 provided thereon;

Fig. 4 is a perspective view of the interface plate of the subject invention, as viewed from the rear or internal surface thereof, illustrating the five filter seats thereof, one of which has a modular filter unit seated therein;

Fig. 5 is an enlarged perspective view of a modular filter unit constructed in accordance with a preferred embodiment of the subject invention, which includes an external face seal and an internal pleated filter element;

Fig. 6 is cross-sectional view of the filter compartment of the subject invention, taken along line 6-6 of Fig. 5;

Figs. 7 and 8 are perspective views of the interface plate of the subject invention, wherein an insufflation and sensing lumen is attached thereto, along with a single filter unit;

Figs. 9 and 10 are perspective views of the interface plate of the subject invention, wherein an insufflation and sensing lumen is attached thereto, together with a smoke evacuation lumen, along with two associated filter units;

Figs. 11 and 12 are perspective views of the interface plate of the subject invention, wherein an insufflation and sensing lumen is attached thereto, together with a smoke evacuation lumen and a recirculation supply lumen, along with three associated filter units;

Fig. 13 is a side elevational view and Fig. 14 is a perspective view of the interface plate of the subject invention, wherein an insufflation and sensing lumen, a gas delivery lumen and a gas return lumen are attached thereto, and wherein the distal ends of the three lumens are connected to a tri-lumen coupling, along with three associated filter units;

Figs. 15 and 16 are perspective views of the interface plate of the subject invention, as seen from the front and rear surfaces thereof, wherein an insufflation and

sensing lumen is attached thereto, together with a gas delivery lumen and a gas return lumen, and wherein the distal ends of the gas delivery and gas return lumens are connected to a bi-lumen coupling, while the distal end of the insulation lumen is attached to a conventional fitting, along with three associated filter units;

5 Figs. 17 through 19 illustrate the interface plate of the subject invention, as viewed from the front side and rear surfaces thereof, wherein an insufflation and sensing lumen, a gas delivery lumen, a gas return lumen, a smoke evacuation lumen and a recirculation supply lumen are all attached thereto, and wherein the distal ends of the insufflation and sensing lumen, gas delivery lumen and gas return lumen are all
10 attached to a tri-lumen coupling, while the distal end of the smoke evacuation lumen and a distal end of the recirculation supply lumen are each attached to a separate conventional fitting, along with five associated filter units;

Figs. 20 through 22 are illustrations of another embodiment of an interface plate constructed in accordance with a preferred embodiment of the subject invention, which
15 has permanent filter canister corresponding to the insufflation path, wherein a single sheet of filter media is installed; and

Figs 23 and 24 illustrate an alternative arrangement that correspond to Figs. 11 and 12, wherein the distal end of the insufflation and sensing lumen and a distal end of the recirculation supply lumen are operatively associated with a coupling, which would
20 connect to a first valve sealed access port, and wherein a distal end of the smoke evacuation lumen would be connected to a second valve sealed access port.

DETAILED DESCRIPTION OF THE PREFERRED EMBODIMENTS

Referring now to the drawings wherein like reference numerals identify similar structural elements and features of the subject invention, there is illustrated in Fig. 1 a
5 gas circulation system for performing an endoscopic surgical procedure in a surgical cavity of a patient, and more particularly, for performing a laparoscopic surgical procedure in the abdominal cavity of a patient that is constructed in accordance with a preferred embodiment of the subject disclosure and is designated generally by reference numeral 10.

10 Those skilled in the art will readily appreciate that the gas circulation system 10 of the subject invention can be used for performing other types of endoscopic procedures, aside from laparoscopic procedures. For example, this system 10 can be used in the performance of thoracoscopic surgical procedures in the thoracic cavity of a patient, as well as, the performance of endo-luminal surgical procedures, such as trans-
15 anal and trans-esophageal surgical procedures.

Referring to Fig. 1, the gas circulation system 10 of the subject invention is specifically designed to cooperate with a programmable multi-modal gas delivery device 12. The gas delivery device 12 is based upon the multi-modal gas delivery device described, for example, in commonly assigned U.S. Patent No. 9,375,539, the
20 disclosure of which is herein incorporated by reference in its entirety.

The gas delivery device 12 includes a graphical user interface 14 for setting operating parameters, and more particularly, for interacting with an internal controller 16 (see Fig. 2) that is programmable to operate the gas delivery device 12 in a variety of different operating modes, depending upon the demands of a particular endoscopic
25 surgical procedure.

More particularly, as explained in greater detail below, and with reference to Figs. 1A through 1C, the controller 16 of the gas delivery device 12 of the subject invention is programmed or otherwise configured to perform: i) insufflation through a single valve sealed access port 200 which has a conventional luer connector 210 (see Fig. 1A); ii) insufflation through a valve sealed access port 200 and gas circulation through a single-lumen gas sealed access port 300 which has a bi-lumen connector 310 (see Fig. 1B); iii) insufflation and gas circulation through a dual lumen gas sealed access port 400 which has a tri-lumen connector 410 (see Fig. 1C); iv) evacuation of smoky gas and filtered gas return through two separate valve sealed access ports 200; v) insufflation and evacuation of smoky gas through two separate valve sealed access ports 200; vi) insufflation, evacuation of smoky gas and filtered gas return through three separate valve sealed access ports 200; and vii) insufflation and gas circulation through a dual lumen gas sealed access port 300, together with evacuation of smoke filled gas and filtered gas return through two separate valve sealed access ports 200.

Referring once again to Fig. 1 in conjunction with the schematic diagram shown in Fig. 2, the gas delivery device 12 of the subject invention further includes a primary gas circulation pump 18 for facilitating the circulation/recirculation of pressurized gas relative to the surgical cavity 20 of a patient 22, a secondary gas circulation pump 24 for facilitating smoke evacuation from the surgical cavity 20 of the patient 22, and an insufflation subunit 26 for delivering insufflation gas from a gas source 28 to the surgical cavity 20 of the patient 22, as well as sensing pressure within the surgical cavity 18 of patient 22 periodically.

The gas delivery system 10 of the subject invention further includes an interface plate 30 that is adapted and configured to engage with the multi-modal gas delivery device 12 and it is designed for connection with as many as five different lumens or

tubes, each of which has a different functionality, depending upon a selectively or automatically activated mode of operation, as explained in more detail below. More particularly, the front face of the gas delivery device 12 has a complementary reception cavity 32 for receiving and engaging with the interface plate 30.

5 Referring now to Figs. 3 and 4, the interface plate 30 of the subject invention includes a front or exterior surface 34 and a rear or internal surface 36. As shown in Fig. 3, the front surface 34 of interface plate 30 includes a first connector 42 for connecting with an insufflation and sensing lumen for delivering insufflation gas from the insufflation subunit 26 to the surgical cavity 20 and for facilitating sensing of
10 surgical cavity pressure by way of a valve sealed access device 200. It is envisioned and well within the scope of the subject disclosure that that sealed access device 200 could be replaced by another device including for example, a veress needle or another type of surgical access device or trocar adapted to deliver insufflation gas to a surgical cavity, including any of the access device disclosed herein.

15 The front surface 34 of interface plate 30 also includes a second connector 44 for connecting with a gas delivery lumen for delivering pressurized gas from the primary gas circulation pump 18 to a gas sealed access device 300 or 400. The front surface 34 of interface plate 30 further includes a third connector 46 for connecting with a gas return lumen for returning gas used to generate a gaseous seal within the gas
20 sealed access device 300 or 400 back to the primary gas circulation pump 18.

The front surface 34 of the interface plate 30 also includes a fourth connector 48 for connecting with a smoke evacuation lumen that removes smoke filled gas from the surgical cavity 20 by way of the secondary gas circulation pump 24 by way of a valve sealed access port 200. The front surface 34 of interface plate 30 further includes a
25 fifth connector 50 for connection with a recirculation supply lumen for returning

filtered gas back to the surgical cavity 20 from the secondary gas circulation pump 24 by way of a valve sealed access port 200.

As best seen in Fig, 4, the rear surface 36 of interface plate 30 includes a first circular filter seat 52 with a port 62 for communicating with the first connector 42, a
5 second circular filter seat 54 with a port 64 communicating with the second connector 44, a third circular filter seat 56 with a port 66 communicating with the third connector 46, a fourth circular filter seat 58 with a port 68 communicating with the fourth connector 48, and a fifth circular filter seat 60 with a port 70 communicating with the fifth connector 50.

10 As illustrated in Fig. 4, a modular filter unit 72 that includes a cylindrical canister 74 is seated within the first filter seat 52. As explained in more detail below, identical filter units can be readily seated in each of the five seating areas in the rear surface 36 of interface plate 30, depending upon the activated mode of operation. Those skilled in the art will readily appreciate that the modularity and commonality of
15 these filter units provides benefits and advantages in terms of decreased manufacturing costs, reduced inventory and ease of assembly. Each modular filter unit 72 is preferably attached to a respective filter seat by conventional means known in the art such as, for example, an adhesive, ultrasonic welding, spin welding, and laser welding or by way of a threaded fit or an interference fit to enable ready replacement of a used
20 filter module.

The modular canister 74 of filter unit 72 contains a filter element 76 for filtering gas flowing therethrough, and an elastomeric face seal 78 for sealing against a complementary sealing surface located within the reception cavity 32 of gas delivery
25 device 12 (not shown).

While the filter element 76 of filter unit 72 is shown as a pleated filter element, it is envisioned that the filter element 76 can be selected from a group of different types of filter media including, for example, pleated filter media, woven polymer mesh filter media, non-woven polymer mesh filter media, sintered metal filter media, sintered
5 polymer filter media, activated carbon filter media, particulate filter media and the like. Regardless of the material that is used within the filter unit, it will be a material that is configured to facilitate two-way, bi-directional gas flow. That is, the filter element 76 in each canister 74 is configured so that it can be readily utilized to filter a flow of
clean pressurized gas coming from the outlet side of one of the gas circulation pumps
10 18, 24 or a flow of spent or smoke filled gas going to the suction side of one of the gas circulation pumps 18, 24.

As best seen in Figs. 5 and 6, the filter canister 74 of filter unit 72 also includes an internal reservoir 75 for accumulating any fluids that are drawn into the canister 74 under suction or otherwise during a surgical procedure. The reservoir 75 preferably
15 includes a mechanism (not shown) for detecting a fluid level within the filter canister 74, such as for example, an optical sensing mechanism as described in commonly assigned U.S. Patent No. 9,067,030, the disclosure of which is incorporated herein by reference.

Referring now to Figs. 7 and 8, which also relates to Figs. 3 and 4, there is
20 illustrated an interface plate 30 of the subject invention that is adapted and configured for use with the gas delivery device 12 in an insufflation only operating mode. In this instance, an insufflation and sensing lumen 82 is attached to the first connector 42 of the interface plate 30. The distal end of the insufflation and sensing lumen 82 has a convention luer type coupling 92 that is adapted and configured to connect with the
25 connector 210 of a valve sealed access device 200 (see Fig. 1A).

Referring now to Figs. 9 and 10, there is illustrated an interface plate 30 of the subject invention that is adapted and configured for use with the gas delivery device 12 in an operating mode involving insufflation/sensing and evacuation of smoky gas through two separate valve sealed access ports 200. In this instance, the insufflation and sensing lumen 82 is attached to the first connector 42 of the interface plate 30, and a smoke evacuation lumen 88 is attached to the fourth connector 48 of the interface plate 30. The distal end of the insufflation and sensing lumen 82 has a coupling 92 that is adapted and configured to connect with the connector 210 of a first valve sealed access device 200 and the distal end of the smoke evacuation lumen 88 has a coupling 98 that is adapted and configured to connect with the connector 210 of a second valve sealed access device 200. As best seen in Fig. 10, in this embodiment, there are two filter units 72 associated with the rear surface 36 of interface plate 30, wherein one is associated with filter seat 52 and the other is associated with filter seat 58.

Referring to Figs. 11 and 12, there is illustrated another embodiment of the interface plate 30 of the subject invention, which is adapted and configured for use with the gas delivery device 12 in an operating mode that involves insufflation, smoke evacuation and the return of filtered gas through three separate valve sealed access ports 200. In this instance, the insufflation and sensing lumen 82 is attached to the first connector 42 of the interface plate 30, the smoke evacuation lumen 88 is attached to the fourth connector 48 of the interface plate 30, and a recirculation supply lumen 90 is attached to the fifth connector 50 of the interface plate 30.

The distal end of the insufflation and sensing lumen 82 has a coupling 92 that is adapted and configured to connect with the connector 210 of a first valve sealed access device 200, the distal end of the smoke evacuation lumen 88 has a coupling 98 that is adapted and configured to connect with the connector 210 of a second valve sealed

access device 200, and the distal end of the recirculation supply lumen 90 has a coupling 100 that is adapted and configured to connect with the connector 210 of a third valve sealed access device 200. As best seen in Fig. 12, in this embodiment, there are separate three filter units 72 associated with the rear surface 36 of interface plate 30, wherein one is associated with filter seat 52, a second is associated with filter seat 58 and the third is associated with filter seat 60.

While not explicitly illustrated herein, it is envisioned and well within the scope of the subject disclosure that an interface plate 30 could be adapted and configured for use only in a smoke evacuation mode, wherein the distal end of the smoke evacuation lumen 88 would be connected to a first valve sealed access device 200 and the distal end of the recirculation supply lumen 90 would be connected to a second valve sealed access device 200. In such an instance, a separate conventional insufflation unit, distinct from the gas supply device 12, could be used for insufflation and pressure sensing.

It is also envisioned and well within the scope of the subject disclosure that with respect to the configuration of the interface plate 30 shown in Figs. 11 and 12, the distal end of the insufflation and sensing lumen 82 and the distal end of the recirculation supply lumen 90 can be operatively associated with a two tube coupling 93, which has a luer type connector 99 for coupling with a first valve sealed access port 200, as illustrated in Figs 23 and 24. In this instance, a distal end of the smoke evacuation lumen 88 would be connected to a second valve sealed access port 200.

Referring now to Figs. 13 and 14, there is illustrated another embodiment of the interface plate 30 of the subject invention, which is adapted and configured for use with the gas delivery device 12 in an operating mode that involves insufflation, gas delivery and gas return by way of a dual lumen gas sealed access device 400 of the type

disclosed in commonly assigned U.S. Patent No. 8,795,223, the disclosure of which is herein incorporated by reference. In this instance, the insufflation and sensing lumen 82 is attached to the first connector 42 of the interface plate 30, a gas delivery lumen 84 is attached to the second connector 44 of interface plate 30, and a gas return lumen 86 is attached to the third connector 46 of interface plate 30.

Here, the insufflation and sensing lumen 82, the gas delivery lumen 84 and the gas return lumen 86 are ganged together, and their distal ends are all operatively associated with a tri-lumen coupling 95 of the type which is disclosed in commonly assigned U.S. Patent No. 9,526,886, the disclosure of which is herein incorporated by reference. The tri-lumen coupling 95 is adapted and configured to connect with the connector 410 of a dual lumen gas sealed access device 400. In this embodiment, there are three filter units 72 associated with the rear surface 36 of interface plate 30, wherein one is associated with filter seat 52, a second is associated with filter seat 54 and the third is associated with filter seat 56.

Referring now to Figs. 15 and 16, there is illustrated yet another embodiment of the interface plate 30 of the subject invention, which is adapted and configured for use with the gas delivery device 12 in an operating mode that involves insufflation by way of a valve sealed access device 200 and pressurized gas delivery and spent gas return by way of a single lumen gas sealed trocar 300, discussed in more detail below with respect to Fig. 1B. In this instance, the insufflation and sensing lumen 82 is attached to the first connector 42 of the interface plate 30, a gas delivery lumen 84 is attached to the second connector 44 of interface plate 30, and a gas return lumen 86 is attached to the third connector 46 of interface plate 30.

Here, the distal end of the insufflation and sensing lumen 82 has a coupling 92 that is adapted and configured to connect with the connector 210 of a valve sealed

access device 200, while the gas delivery lumen 84 and the gas return lumen 86 are ganged together, and their distal ends are all operatively associated with a bi-lumen coupling 97 of the type which is disclosed in commonly assigned U.S. Patent Application Publication No. 2017/0361084, the disclosure of which is herein
5 incorporated by reference (see Figs. 21 through 26).

The bi-lumen coupling 97 is adapted and configured to connect with the connector 310 of a single lumen gas sealed access device 300 shown in Fig. 1B, which functions similar to the dual lumen gas sealed access device 400 disclosed in U.S. Patent No. 8,795,223, except that the bi-lumen gas sealed access device 300 only has a
10 central gas sealed lumen for accommodating instrument passage, it does not have an outer annular lumen surrounding the central lumen, through which insufflation gas is delivered to the surgical cavity of a patient. In all other respects, the device 300 functions like a bi-lumen gas sealed access device 400. In this embodiment, there are also three filter units 72 associated with the rear surface 36 of interface plate 30,
15 wherein one is associated with filter seat 52, a second is associated with filter seat 54 and the third is associated with filter seat 56.

Referring now to Figs. 17 through 19, there is illustrated an ultimate embodiment of the interface plate 30 of the subject invention, which is adapted and configured for use with the gas delivery device 12 in an operating mode that involves
20 insufflation, pressurized gas delivery and spent gas return by way of a dual lumen gas sealed access device 400. In this instance, the insufflation and sensing lumen 82 is attached to the first connector 42 of the interface plate 30, the gas delivery lumen 84 is attached to the second connector 44 of interface plate 30, the gas return lumen 86 is attached to the third connector 46 of interface plate 30, the smoke evacuation lumen 88

is attached to the fourth connector 48 of the interface plate 30, and the recirculation supply lumen 90 is attached to the fifth connector 50 of the interface plate 30.

Here, the insufflation and sensing lumen 82, the gas delivery lumen 84 and the gas return lumen 86 are ganged together, and their distal ends are all operatively associated with a tri-lumen coupling 95 for connecting with the tri-lumen connector 410 of a bi-lumen gas sealed access device 400, while the smoke evacuation lumen 88 and the recirculation supply lumen 90 have respective couplings 98 and 100 that are each adapted and configured to connect with the connectors 210 of respective valve sealed access devices 200. This embodiment of interface plate 30, with five lumens attached, is the configuration of the subject invention that is illustrated in Fig. 1.

As shown in Fig. 19, in this embodiment of the invention, there are five filter units 72 associated with the rear surface 36 of interface plate 30, wherein one is associated with filter seat 52, a second is associated with filter seat 54, a third is associated with filter seat 56, a fourth is associated with filter seat 58 and a fifth is associated with filter seat 60.

Alternatively, with respect to the 5-lumen configuration of Figs. 17 through 19, while not illustrated explicitly, it is envisioned and well within the scope of the subject disclosure, that the distal ends of the gas delivery lumen 84 and the gas return lumen 86 could be attached to a bi-lumen coupling 97, that is adapted and configured to connect with a single lumen gas sealed access device 300, a distal end of the insufflation and sensing lumen 82 could be connected to a first valve sealed access device 200, a distal end of the smoke evacuation lumen 88 could be connected to a second valve sealed access device 200 and a distal end of the recirculation supply lumen 90 could be connected to a third valve sealed access device 200.

It is also envisioned and well within the scope of the subject disclosure that the interface plate 30 of the subject invention would include a mechanism for communicating information to the controller 16 in the gas delivery device 12 identifying which of the five lumens and filters is attached to the interface plate 30, and thereby indicate which particular operational mode must be activated to perform a desired surgical procedure. This mechanism could be a mechanical feature, such as a micro-switch that would communicate with the controller 16 when the interface plate 30 is installed within the reception cavity 32 in the front face of gas delivery device 12. Alternatively, the mechanism could be wireless transmitter 35 on the rear surface 36 of interface plate 30, as shown in Fig. 4, such as an RFID signal transmitter or NFC signal transmitter, that would communicate information to the controller 16 of gas delivery device 12 related to the types of lumens associated with the interface plate 30.

Referring to Figs. 20 through 23, there is illustrated another embodiment of an interface plate constructed in accordance with a preferred embodiment of the subject invention, which is designated generally by reference numeral 130. The front surface 134 of interface plate 130 includes a first connector 142 for connecting with an insufflation and sensing lumen, a second connector 144 for connecting with a gas delivery lumen, a third connector 146 for connecting with a gas return lumen, a fourth connector 148 for connecting with a smoke evacuation lumen and a fifth connector 150 for connection with a recirculation supply lumen, as best seen in Figs. 20 and 21.

Referring to Fig. 22, the rear surface 136 of interface plate 130 includes a circular filter seat 154 for communicating with the connector 144, a circular filter seat 156 for communicating with connector 146, a circular filter seat 158 for communicating with connector 148, and a circular filter seat 160 for communicating

with the 150. Each filter seat is adapted and configured for accommodating a filter module 72 of the type illustrated in Figs. 5 and 6.

As best seen in Figs. 21 and 22, the interface plate 130 has an integral filter canister 172 that corresponds to the insufflation path associated with connector 142.

5 This integral filter canister includes a single sheet of filter media 176 supported in an annular disc 177, for filtering insufflation gas delivered to the surgical cavity of a patient. It should be appreciated that the insufflation path associated with connector 142 is employed in nearly every embodiment or version of the interface plates described herein, therefore it would be advantageous to provide the filter canister 172

10 as an integral feature of the interface plate 130, while each of the others paths of interface plate 130 would communicate with a filter module 72.

A shroud 136 surrounds the entire periphery of the interface plate 130 and forms a mounting surface for a wireless transmitter 135, such as an RFID signal transmitter or NFC signal transmitter, identifying which of the five lumens is attached

15 to the interface plate 130.

While the subject disclosure has been shown and described with reference to preferred embodiments, those skilled in the art will readily appreciate that changes or modifications may be made thereto without departing from the scope of the subject disclosure.

20

WHAT IS CLAIMED IS:

1. A system for performing an endoscopic surgical procedure in a surgical cavity, comprising:
 - a) a multi-modal gas delivery device including a primary gas circulation pump, a secondary gas circulation pump and an insufflation subunit; and
 - b) an interface plate adapted and configured to engage with the multi-modal gas delivery device and including a connector and a filter seat corresponding to each of the following five lumens:
 - i) an insufflation and sensing lumen for delivering insufflation gas from the insufflation subunit to the surgical cavity and for facilitating sensing of surgical cavity pressure;
 - ii) a gas delivery lumen for delivering pressurized gas from the primary gas circulation pump to a gas sealed access device;
 - iii) a gas return lumen for returning gas used to generate a gaseous seal within the gas sealed access device back to the primary gas circulation pump;
 - iv) a smoke evacuation lumen for removing smoke filled gas from the surgical cavity by way of the secondary gas circulation pump; and
 - v) a recirculation supply lumen for returning filtered gas back to the surgical cavity from the secondary gas circulation pump.
2. A system as recited in Claim 1, wherein the insufflation and sensing lumen is attached to a respective connector of the interface plate, and a filter canister is associated with the interface plate to communicate with the attached lumen.

3. A system as recited in Claim 1, wherein the insufflation and sensing lumen, the gas delivery lumen and the gas return lumen are attached to respective connectors of the interface plate, and filter canisters are associated with the interface plate to communicate with each of the attached lumens.

5

4. A system as recited in Claim 1, wherein the smoke evacuation lumen and the recirculation supply lumen are attached to respective connectors of the interface plate, and filter canisters are associated with interface plate to communicate with each of the attached lumens.

10

5. A system as recited in Claim 1, wherein the insufflation and sensing lumen and the smoke evacuation lumen are attached to respective connectors of the interface plate, and filter canisters are associated with the interface plate to communicate with each of the attached lumens.

15

6. A system as recited in Claim 1, wherein the insufflation and sensing lumen, the smoke evacuation lumen and the recirculation supply lumen are attached to respective connectors of the interface plate, and filter canisters are associated with the interface plate to communicate with each of the attached lumens.

20

7. A system as recited in Claim 1, wherein the insufflation and sensing lumen, the gas delivery lumen, the gas return lumen, the smoke evacuation lumen and the recirculation supply lumen are attached to respective connectors of the interface plate, and filter canisters are associated with the interface plate to communicate with
5 each of the attached lumens.

8. A system as recited in Claim 2, wherein a distal end of the insufflation and sensing lumen has a coupling that is adapted and configured to connect with a valve sealed access device.
10

9. A system as recited in Claim 3, wherein distal ends of the insufflation and sensing lumen, the gas delivery lumen and the gas return lumen are attached to a tri-lumen coupling that is adapted and configured to connect with the gas sealed access device.
15

10. A system as recited in Claim 3, wherein distal ends of the gas delivery lumen and the gas return lumen are attached to a bi-lumen coupling that is adapted and configured to connect with the gas sealed access device, and a distal end of the insufflation and sensing lumen has a coupling that is adapted and configured to connect
20 with a valve sealed access device.

11. A system as recited in Claim 4, wherein a distal end of the smoke evacuation lumen has a coupling that is adapted and configured to connect with a first valve sealed access device and a distal end of the recirculation supply lumen has a coupling that is adapted and configured to connect with a second valve sealed access
5 device.

12. A system as recited in Claim 5, wherein a distal end of the insufflation and sensing lumen is combined with a distal end of the recirculation supply lumen and has a coupling that is adapted and configured to connect with a first valve sealed access
10 device and a distal end of the smoke evacuation lumen has a coupling that is adapted and configured to connect with a second valve sealed access device.

13. A system as recited in Claim 5, wherein a distal end of the insufflation and sensing lumen has a coupling that is adapted and configured to connect with a first
15 valve sealed access port and the smoke evacuation lumen has a coupling that is adapted and configured to connect with a second first valve sealed access port.

14. A system as recited in Claim 6, wherein a distal end of the insufflation and sensing lumen has a coupling that is adapted and configured to connect with a first
20 valve sealed access device, a distal end of the smoke evacuation lumen has a coupling that is adapted and configured to connect with a second valve sealed access device and a distal end of the recirculation supply lumen has a coupling that is adapted and configured to connect with a third valve sealed access device.

15. A system as recited in Claim 7, wherein distal ends of the insufflation
25 and sensing lumen, the gas delivery lumen and the gas return lumen are attached to a

tri-lumen coupling that is adapted and configured to connect with the gas sealed access device, a distal end of the smoke evacuation lumen has a coupling that is adapted and configured to connect with a first valve sealed access device and a distal end of the recirculation supply lumen has a coupling that is adapted and configured to connect
5 with a second valve sealed access device.

16. A system as recited in Claim 7, wherein distal ends of the gas delivery lumen and the gas return lumen are attached to a bi-lumen coupling that is adapted and configured to connect with the gas sealed access device, a distal end of the insufflation
10 and sensing lumen has a coupling that is adapted and configured to connect with a first valve sealed access device, a distal end of the smoke evacuation lumen has a coupling that is adapted and configured to connect with a second valve sealed access device and a distal end of the recirculation supply lumen has a coupling that is adapted and configured to connect with a third valve sealed access device.

15

17. A system as recited in Claim 1, wherein each filter seat of the interface plate is associated with a filter canister that includes a filter element for filtering gas flowing therethrough.

20 18. A system as recited in Claim 17, wherein the filter canister associated with the insufflation and sensing lumen is formed integral with the interface plate.

19. A system as recited in Claim 18, wherein the filter canisters associated with the gas delivery lumen, the gas return lumen, the smoke evacuation lumen and the recirculation supply lumen are formed separate from the interface plate.

25

20. A system as recited in Claim 17, wherein each filter canister is formed separate from the interface plate and is attached to the interface plate by way of an adhesive, spin welding, laser welding, ultrasonic welding, threaded connection or an interference fit.

5

21. A system as recited in Claim 20, wherein each filter canister formed separate from the interface plate has an identical construction to promote modularity.

22. A system as recited in Claim 17, wherein each filter element is
10 configured for bi-directional flow.

23. A system as recited in Claim 17, wherein the filter element is selected from a group of filter media consisting of a pleated filter media, a woven polymer mesh filter media, a non-woven polymer mesh filter media, sintered metal filter media, a
15 sintered polymer filter media, an activated carbon filter media, and a particulate filter media.

24. A system as recited in Claim 20, wherein each filter canister formed separate from the interface plate includes means for detecting a fluid level within the
20 filter canister.

25. A system as recited in Claim 1, wherein the interface plate includes means for communicating information to a controller in the gas delivery device identifying which of the five lumens is attached to the interface plate.

25

26. An interface plate for a multi-modal gas delivery device used in performing an endoscopic surgical procedure in a surgical cavity, comprising:

- 5 a) a first connector for an insufflation and sensing lumen that delivers insufflation gas from an insufflation subunit in the gas delivery device to the surgical cavity and facilitates sensing of surgical cavity pressure;
- b) a second connector for a gas delivery lumen that delivers pressurized gas from a primary gas circulation pump in the gas delivery device to a gas sealed access device;
- 10 c) a third connector for a gas return lumen that returns gas used to generate a gaseous seal within the gas sealed access device back to the primary gas circulation pump;
- d) a fourth connector for a smoke evacuation lumen that removes smoke filled gas from the surgical cavity by way of a secondary gas circulation pump in the gas delivery device; and
- 15 e) a fifth connector for a recirculation supply lumen that returns filtered gas back to the surgical cavity from the secondary gas circulation pump.

27. An interface plate as recited in Claim 26, further comprising a filter seat corresponding to each of the five connectors for communicating with a respective filter
20 canister.

28. An interface plate as recited in Claim 26, wherein an insufflation and sensing lumen is attached to the first connector of the interface plate, and a filter canister is associated with the interface plate to communicate with the attached lumen.

25

29. An interface plate as recited in Claim 26, wherein an insufflation and sensing lumen is attached to the first connector of the interface plate, a gas delivery lumen is attached to the second connector of the interface plate and a gas return lumen is attached to the third of the interface plate, and filter canisters are associated with the interface plate to communicate with each of the attached lumens.

30. An interface plate as recited in Claim 26, wherein a smoke evacuation lumen is attached to the fourth connector of the interface plate and a recirculation supply lumen is attached to the fifth connector of the interface plate, and filter canisters are associated with the interface plate to communicate with each of the attached lumens.

31. An interface plate as recited in Claim 26, wherein an insufflation and sensing lumen is attached to the first connector of the interface plate, a smoke evacuation lumen is attached to the fourth connector of the interface plate and a recirculation supply lumen is attached to the fifth connector of the interface plate, and filter canisters are associated with the interface plate to communicate with each of the attached lumens.

32. An interface plate as recited in Claim 26, wherein an insufflation and sensing lumen is attached to the first connector of the interface plate, a smoke evacuation lumen is attached to the fourth connector of the interface plate, and filter canisters are associated with the interface plate to communicate with each of the attached lumens.

25

33. An interface plate as recited in Claim 26, wherein an insufflation and sensing lumen is attached to the first connector of the interface plate, a gas delivery lumen is attached to the second connector of the interface plate, a gas return lumen is attached to the third connector of the interface plate, a smoke evacuation lumen is attached to the fourth connector of the interface plate and a recirculation supply lumen is attached to the fifth connector of the interface plate, and filter canisters are associated with the interface plate to communicate with each of the attached lumens.

34. An interface plate as recited in Claim 26, wherein each filter seat of the interface plate is associated with a filter canister that includes a filter element for filtering gas flowing therethrough.

35. An interface plate as recited in Claim 34, wherein the filter canister associated with the insufflation and sensing lumen is formed integral with the interface plate.

36. An interface plate as recited in Claim 35, wherein the filter canisters associated with the gas delivery lumen, the gas return lumen, the smoke evacuation lumen and the recirculation supply lumen are formed separate from the interface plate.

37. An interface plate as recited in Claim 34, wherein each filter canister is formed separate from the interface plate.

38. An interface plate as recited in Claim 37, wherein each filter canister formed separate from the interface plate has an identical construction to promote

modularity and is attached to the interface plate by way of an adhesive, spin welding, sonic welding, laser welding, threaded connection or an interference fit.

39. An interface plate as recited in Claim 34, wherein each filter element is
5 configured for bi-directional flow.

40. An interface plate as recited in Claim 34, wherein the filter element is
selected from a group of filter media consisting of a pleated filter media, a woven
polymer mesh filter media, a non-woven polymer mesh filter media, sintered metal
10 filter media, a sintered polymer filter media, an activated carbon filter media, and a
particulate filter media.

41. An interface plate as recited in Claim 37, wherein each filter canister
formed separate from the interface plate includes means for detecting a fluid level
15 within the filter canister.

42. An interface plate as recited in Claim 25, further comprising means for
communicating information to a controller in the gas delivery device identifying which
of the five connectors has a lumen attached thereto.
20

43. A multi-modal gas delivery device for performing an endoscopic
surgical procedure in a surgical cavity, comprising:
a) an insufflation subunit for delivering insufflation gas from a gas
source to the surgical cavity and for sensing pressure within the surgical cavity;

- b) a primary gas circulation pump for delivering pressurized gas to a gas sealed access port so as to generate a gaseous seal therein and thereby maintain a stable pressure within the surgical cavity and for receiving gas returning from the gas sealed access port that was used to form the gaseous seal; and
- 5 c) a secondary gas circulation pump for continuously evacuating smoke filled gas from the surgical cavity, regardless of the sensed pressure within the surgical cavity.

44. A multi-modal gas delivery device as recited in Claim 43, wherein the
10 secondary gas circulation pump is further configured to return filtered gas to the surgical cavity.

45. A multi-modal gas delivery device as recited in Claim 44, further comprising a controller for initiating an operating mode from a group of operating
15 modes including:
- i) an insufflation mode driven by the insufflation subunit;
 - ii) an insufflation and gas circulation mode driven by the insufflation subunit and the primary gas circulation pump;
 - iii) a smoke evacuation and gas return mode driven by the secondary
20 gas circulation pump;
 - iv) an insufflation and smoke evacuation mode driven by the insufflation subunit and the secondary gas circulation pump;
 - v) an insufflation, smoke evacuation and gas return mode driven by the insufflation subunit and the secondary gas circulation pump; and

vi) an insufflation and gas circulation mode driven by the insufflation subunit and the primary gas circulation pump, together with smoke evacuation and gas return driven by the secondary gas circulation pump.

5 46. A multi-modal gas delivery device as recited in Claim 45, wherein the controller is adapted and configured to determine which operating mode to initiate based upon information received from an interface plate of a tube set operatively associated therewith.

10 47. A multi-modal gas delivery device as recited in Claim 46, wherein the information received from an interface plate of a tube set is communicated to the gas delivery device by way of an RFID communication link, an NFC communication link, a Bluetooth communication link, a WiFi communication link or by way of microswitches.

15

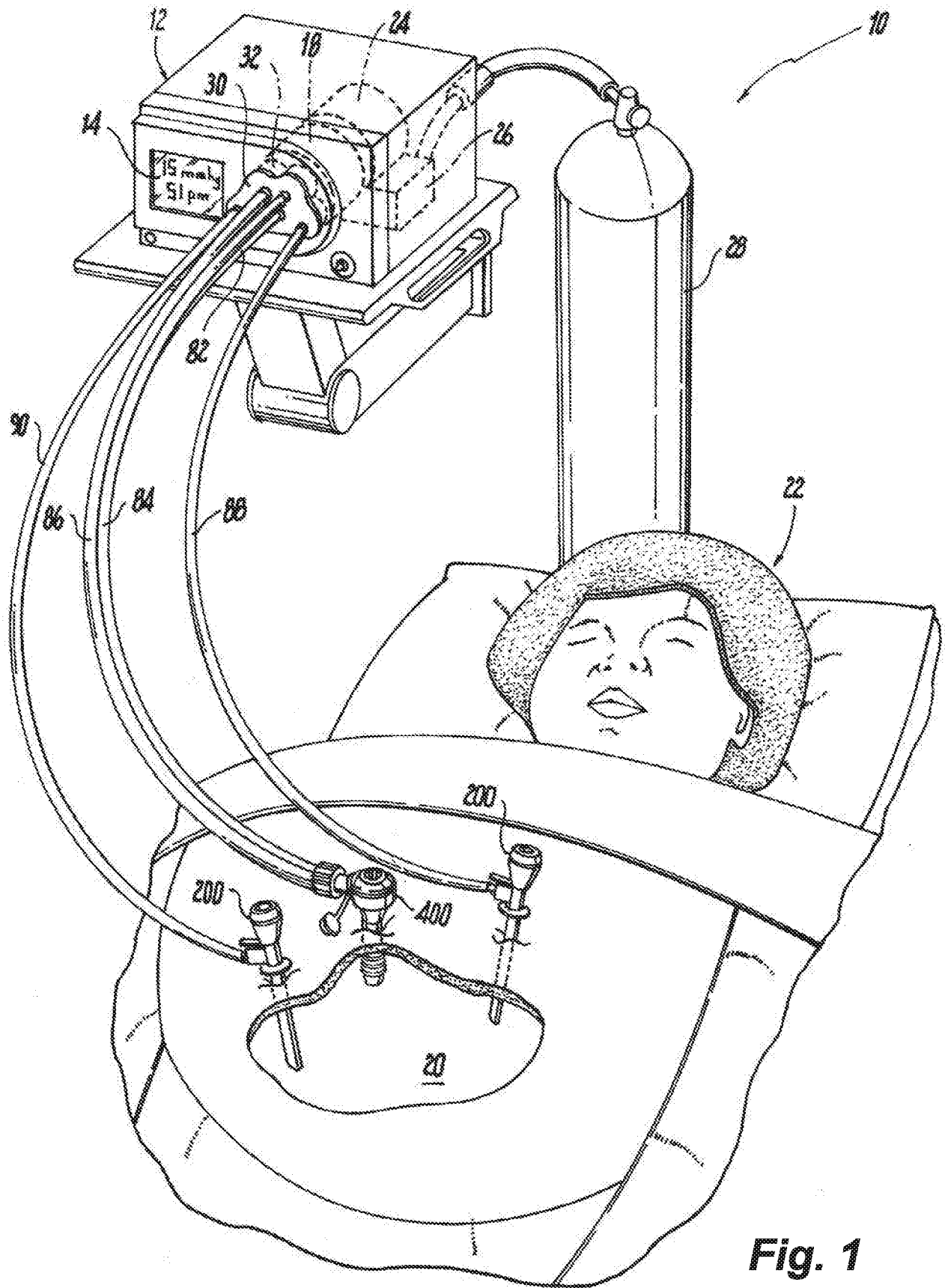


Fig. 1

2/15

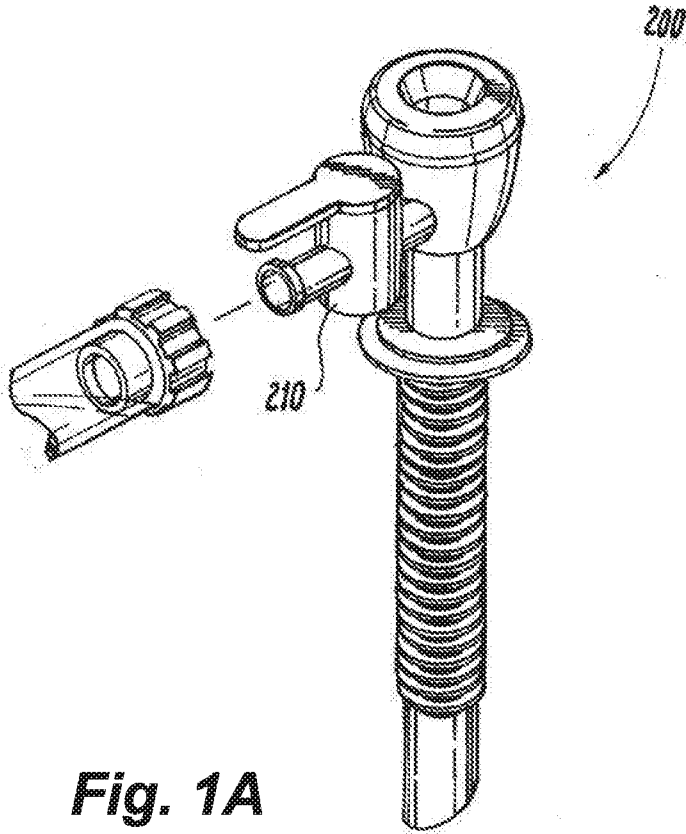


Fig. 1A

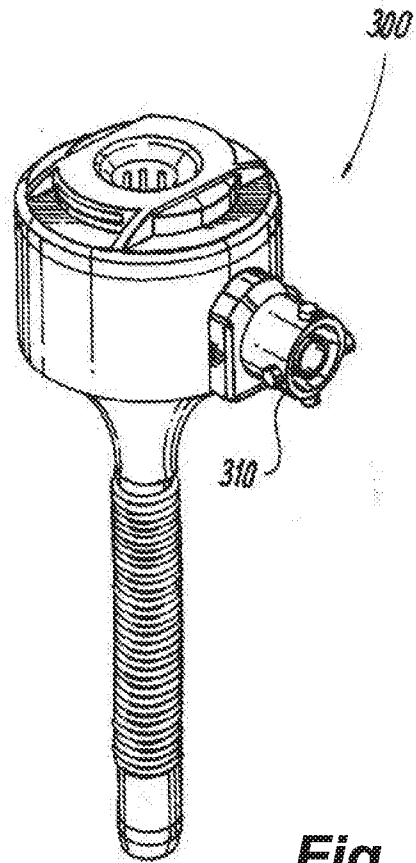


Fig. 1B

3/15

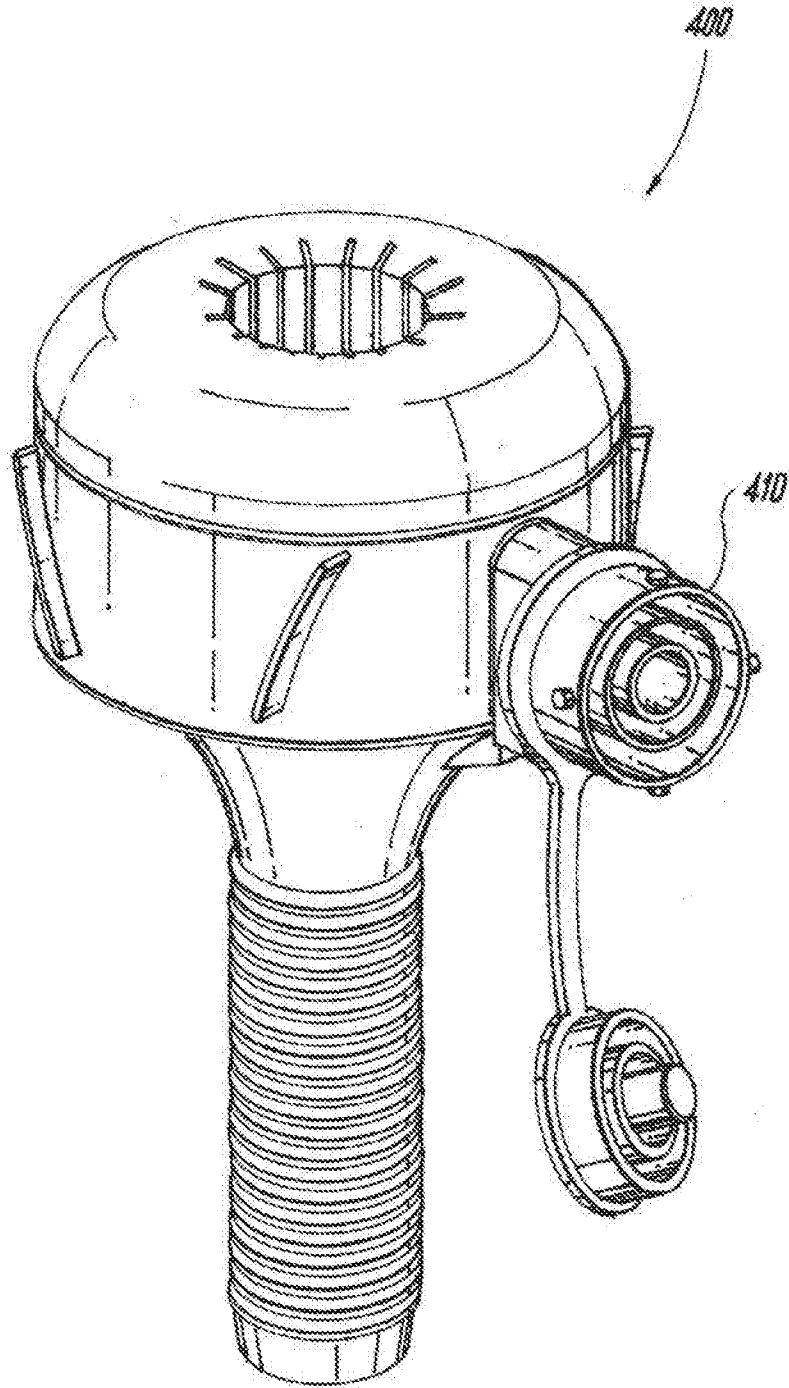


Fig. 1C

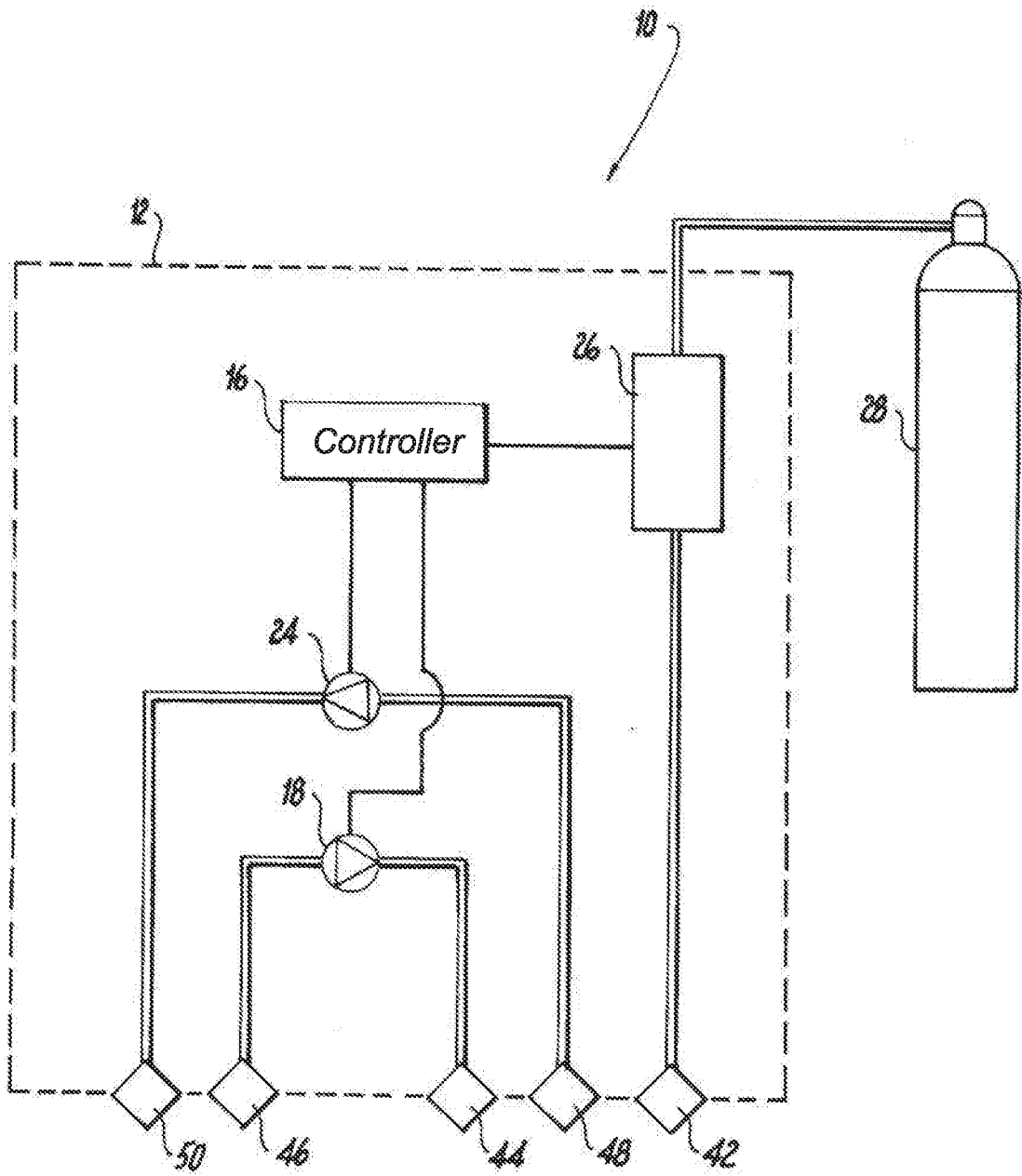


Fig. 2

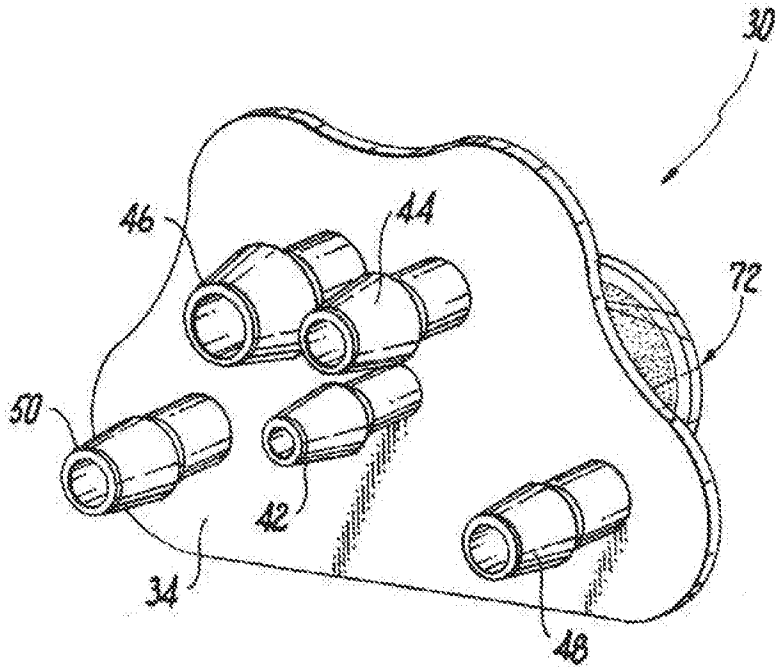


Fig. 3

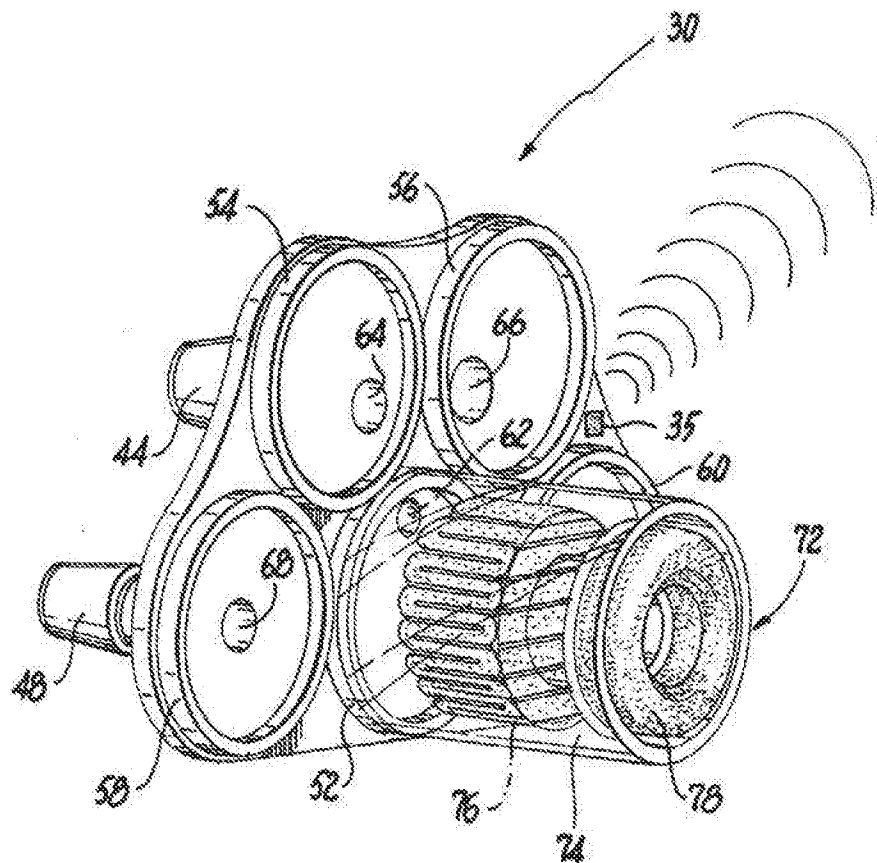


Fig. 4

Fig. 5

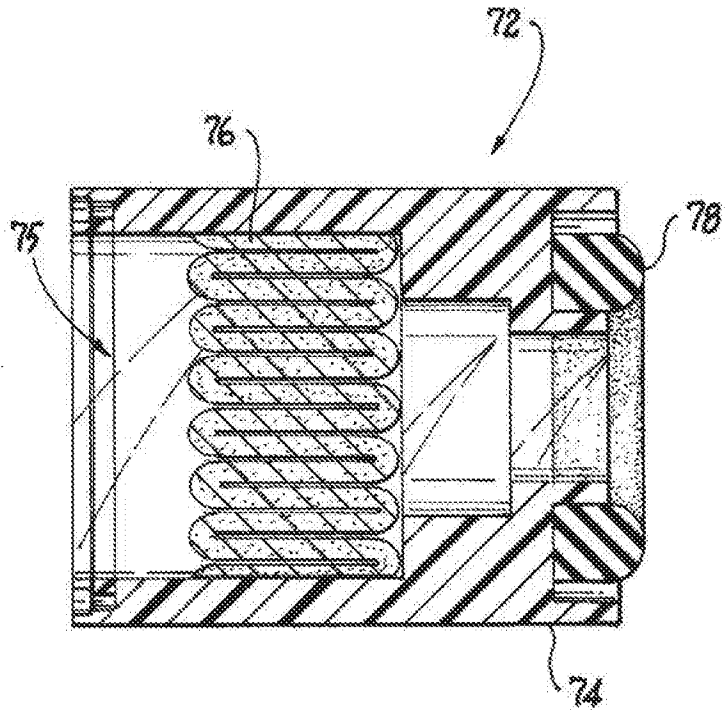
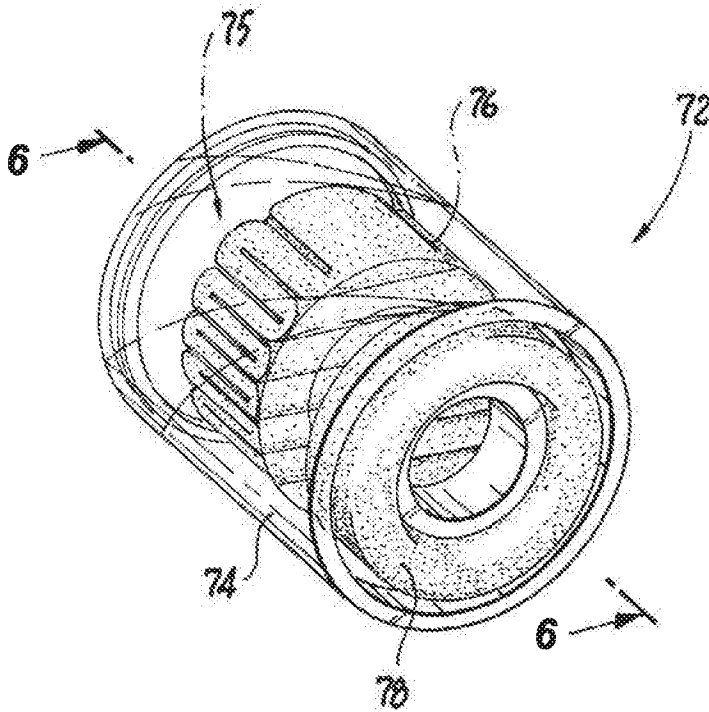


Fig. 6

Fig. 7

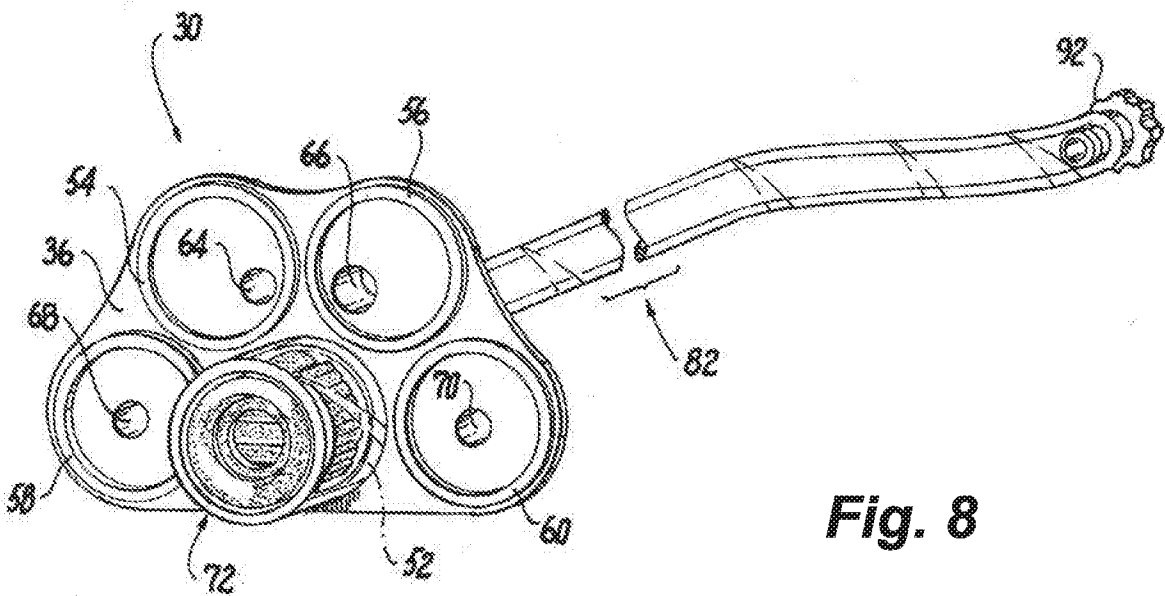
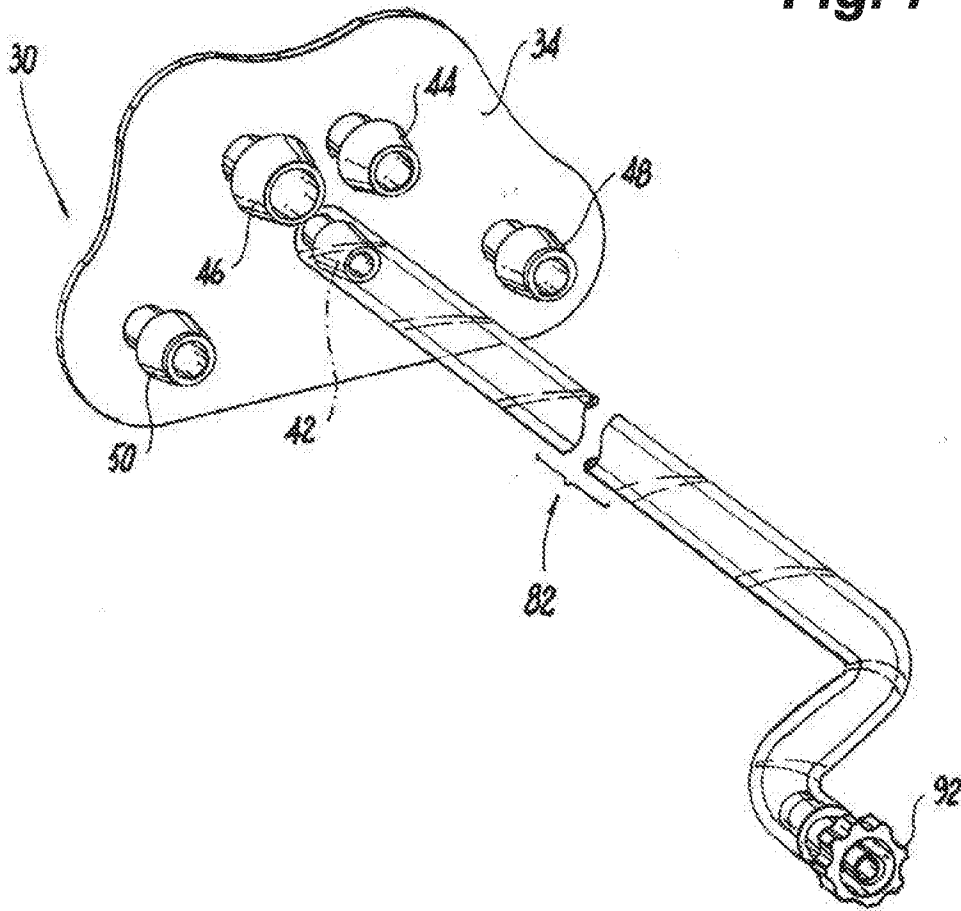


Fig. 8

Fig. 9

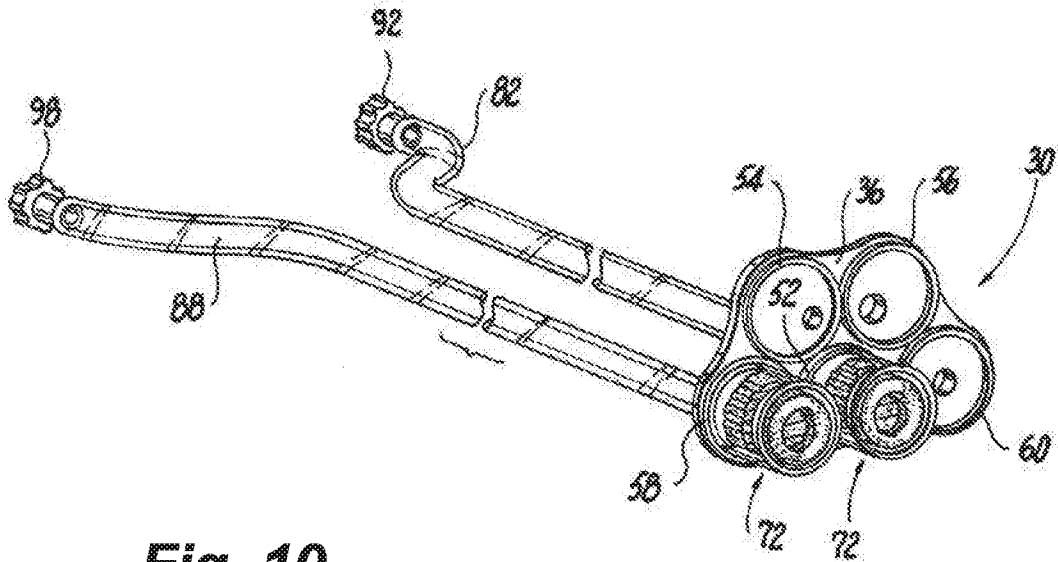
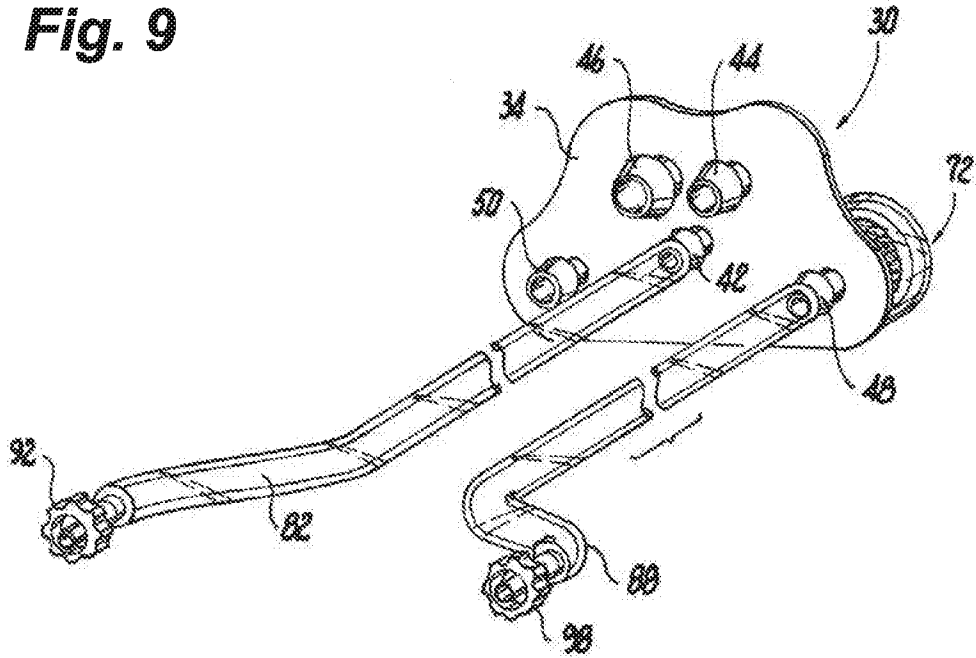


Fig. 10

Fig. 11

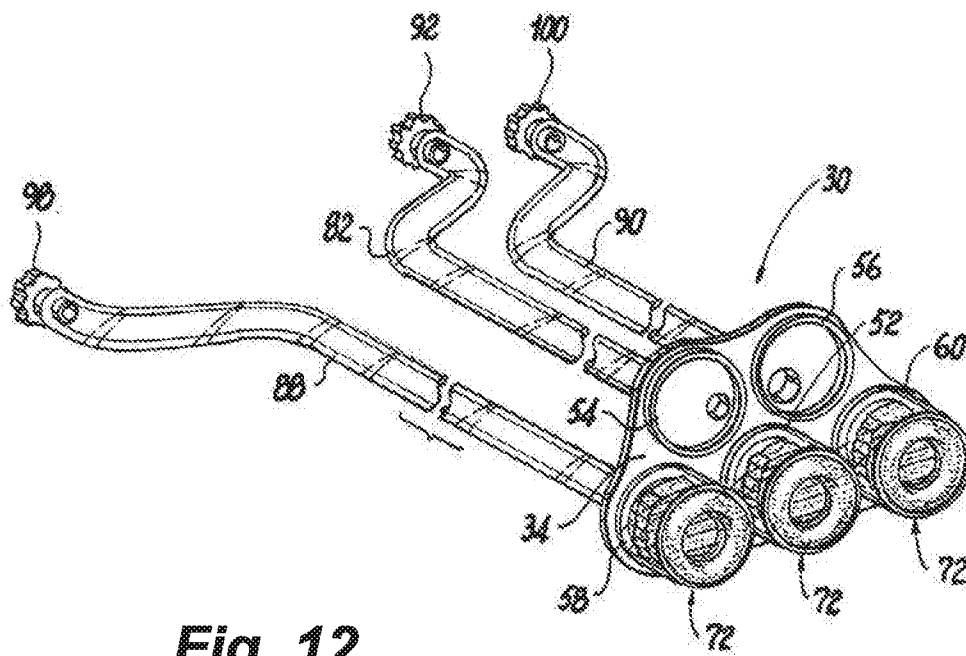
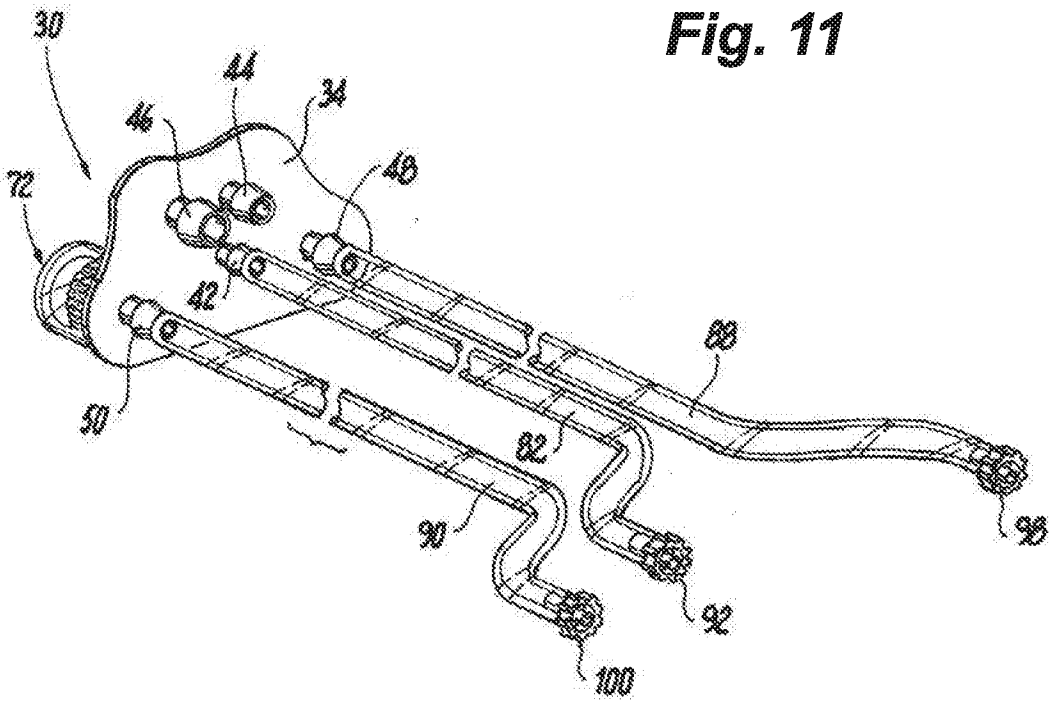


Fig. 12

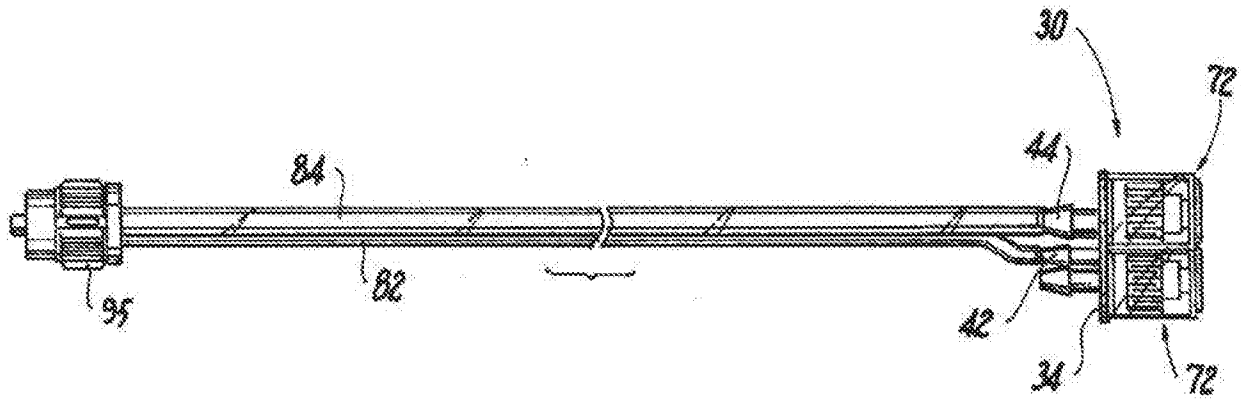


Fig. 13

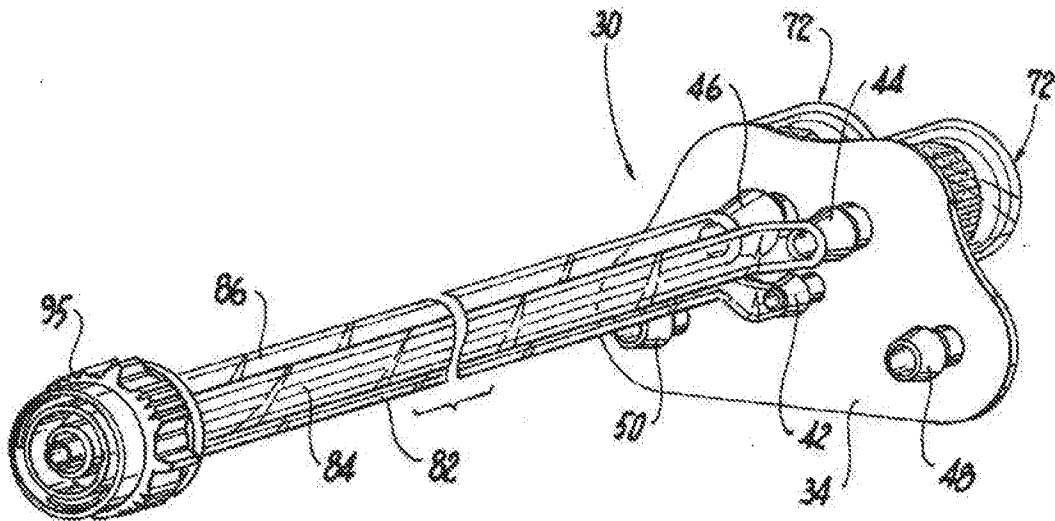


Fig. 14

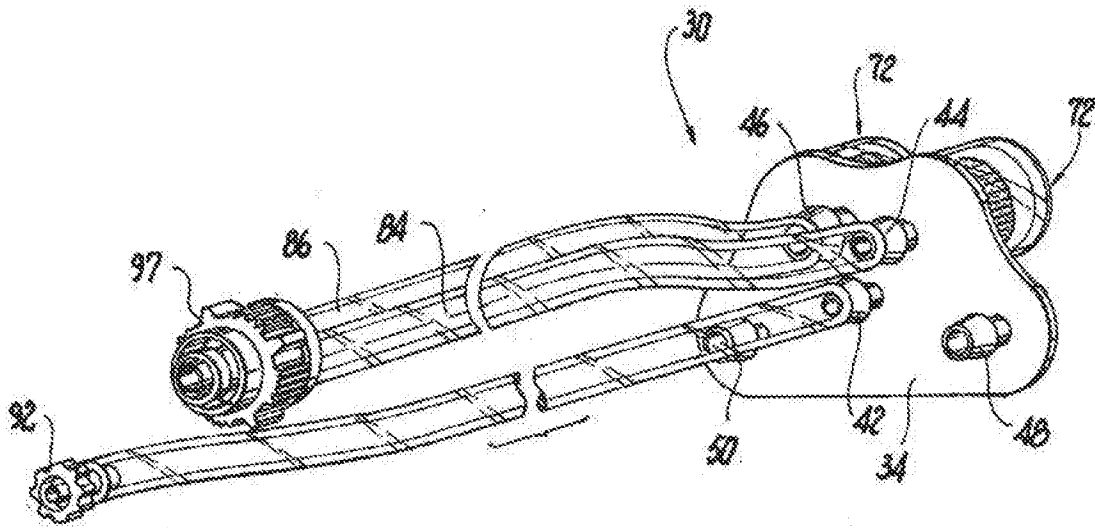


Fig. 15

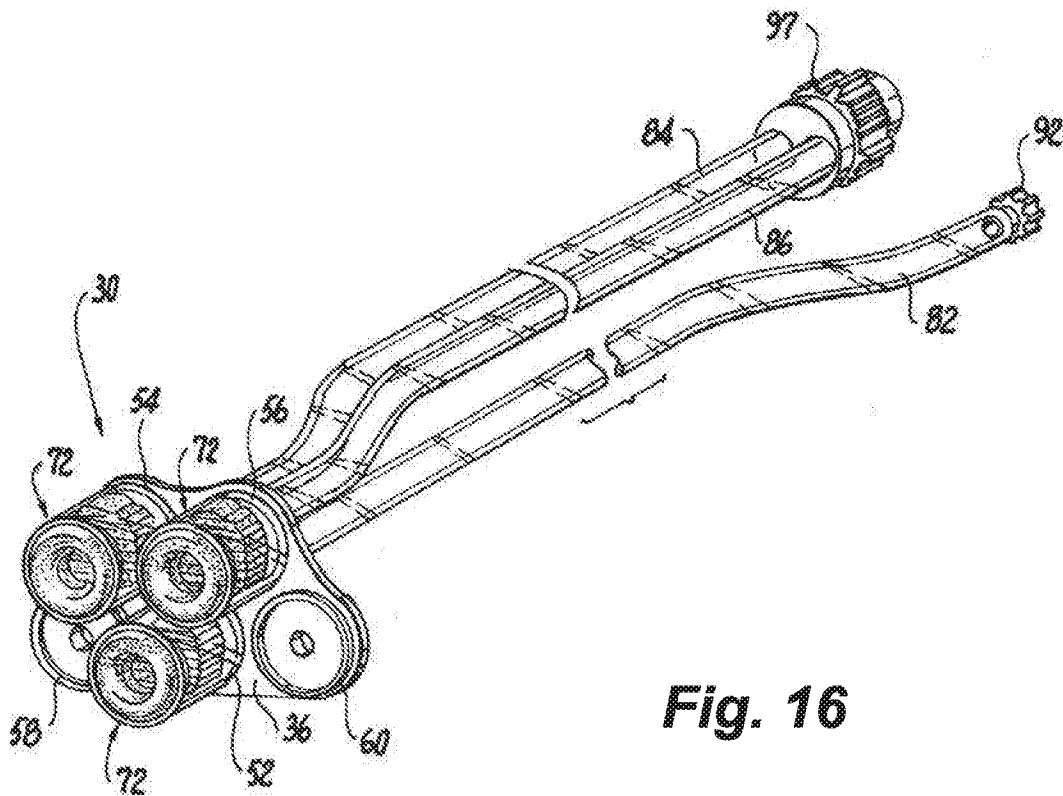


Fig. 16

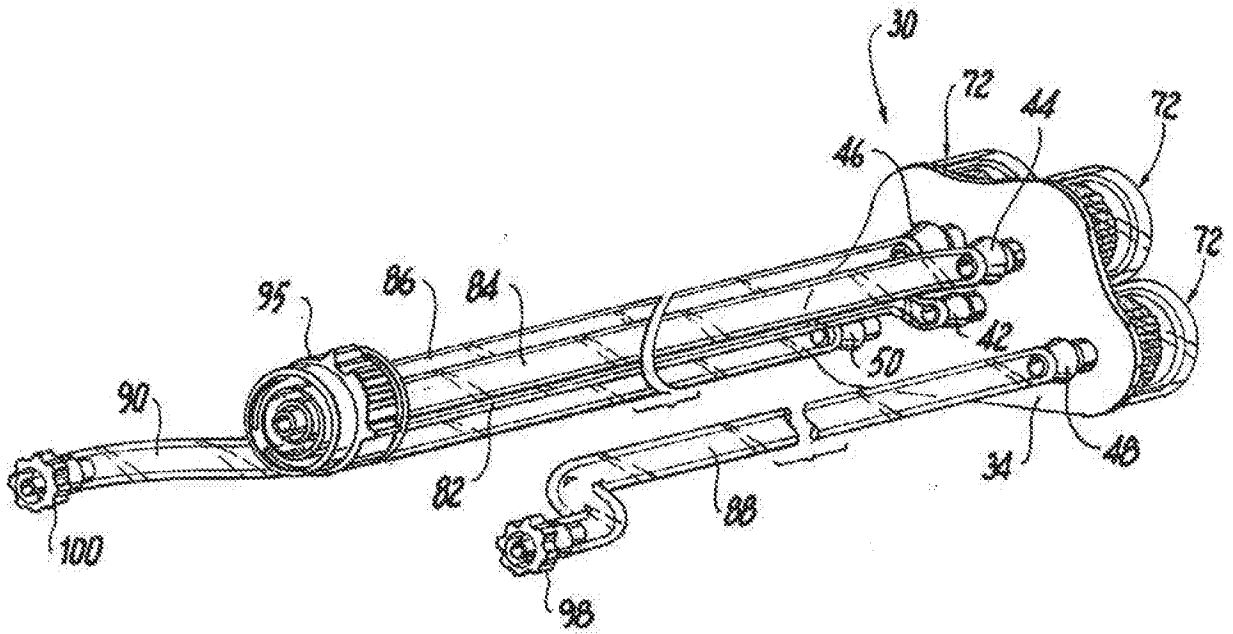


Fig. 17

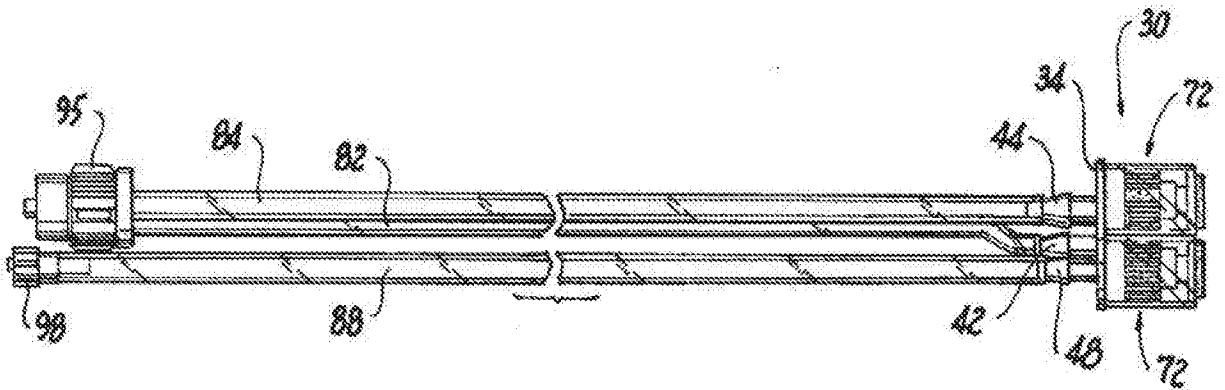


Fig. 18

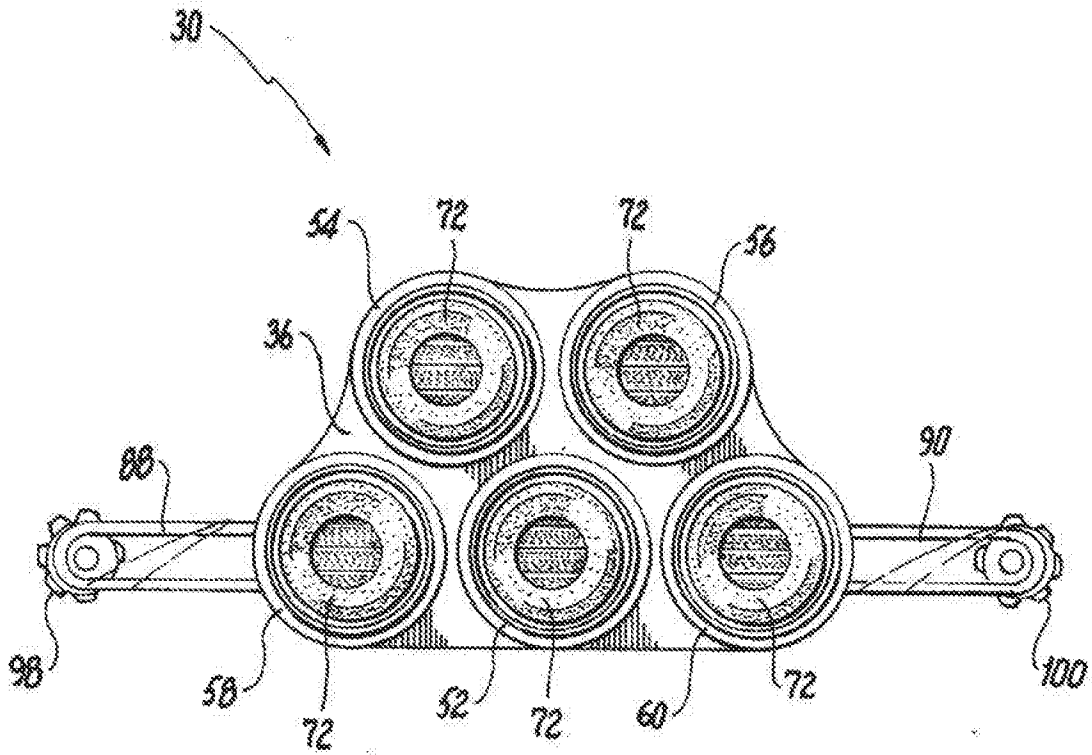


Fig. 19

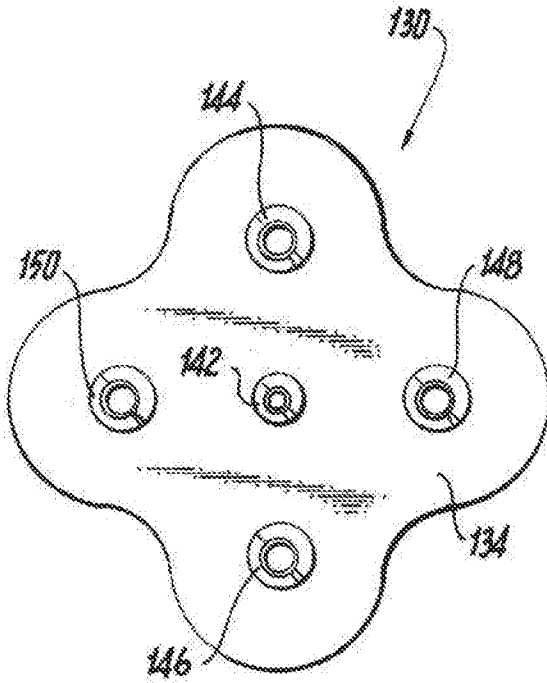


Fig. 20

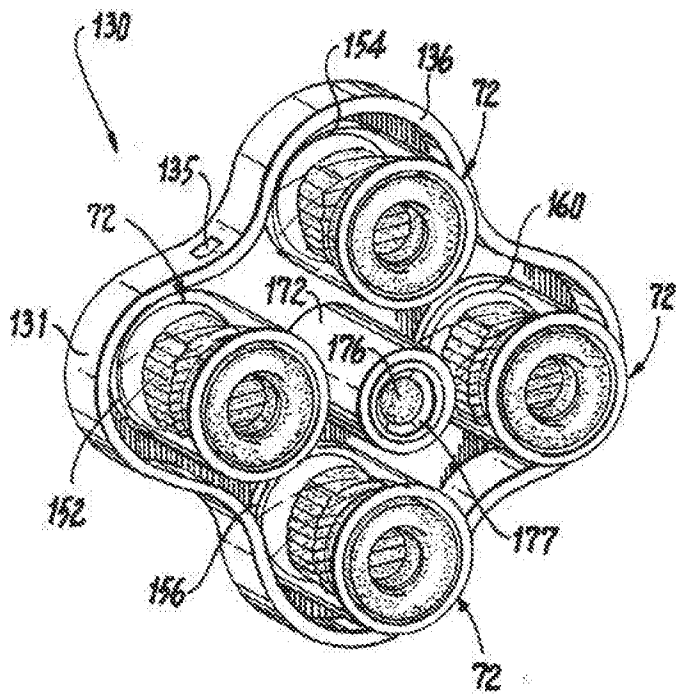


Fig. 22

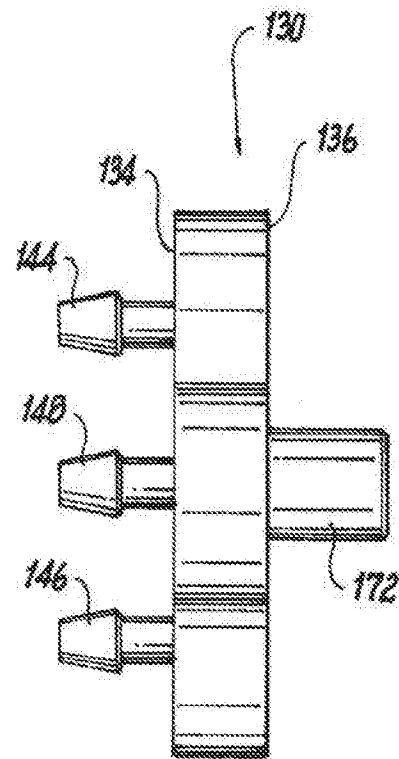


Fig. 21

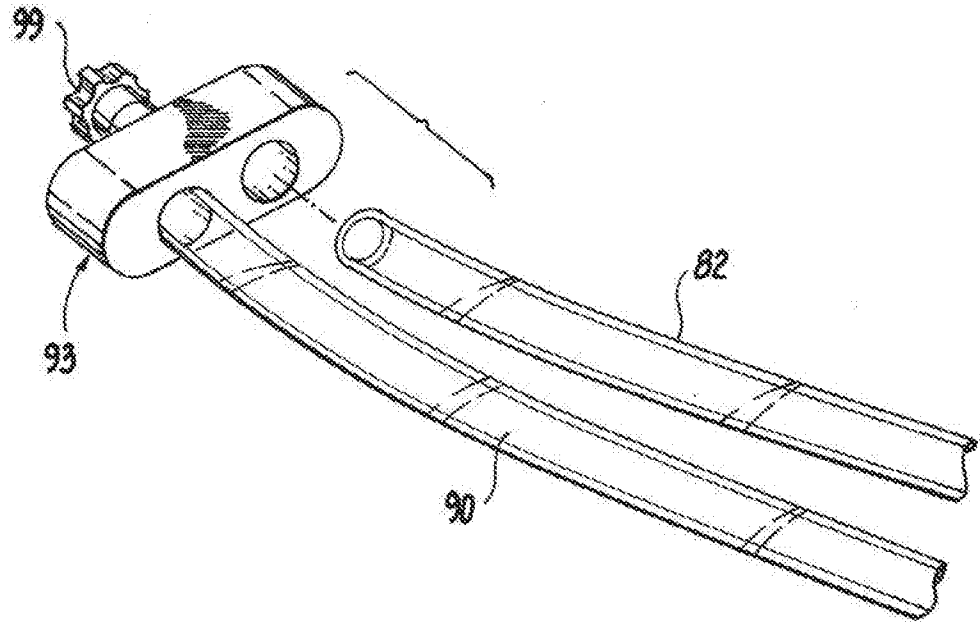


Fig. 23

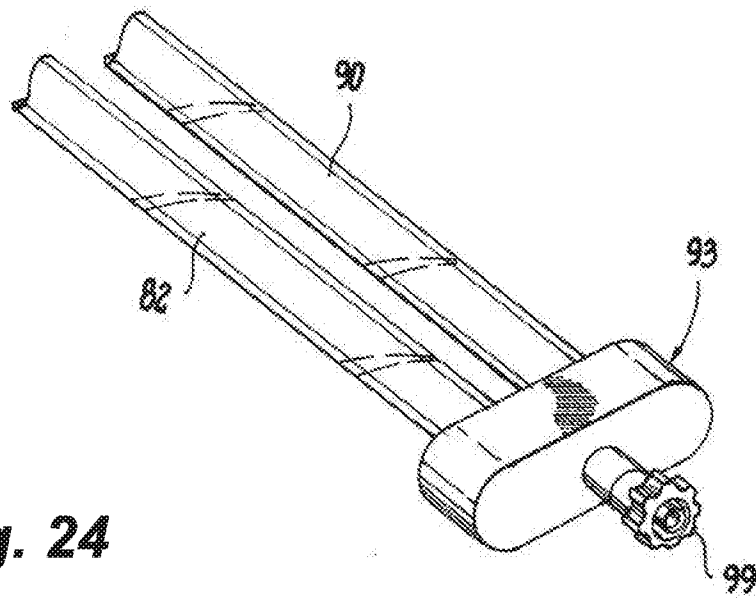


Fig. 24

A. CLASSIFICATION OF SUBJECT MATTER**A61M 13/00(2006.01)i, A61B 17/34(2006.01)i, A61M 39/06(2006.01)i, A61B 17/00(2006.01)i**

According to International Patent Classification (IPC) or to both national classification and IPC

B. FIELDS SEARCHEDMinimum documentation searched (classification system followed by classification symbols)
A61M 13/00; A61B 1/00; A61B 17/00; A61B 17/34; B01D 46/44; A61M 39/06Documentation searched other than minimum documentation to the extent that such documents are included in the fields searched
Korean utility models and applications for utility models
Japanese utility models and applications for utility modelsElectronic data base consulted during the international search (name of data base and, where practicable, search terms used)
eKOMPASS(KIPO internal) & Keywords: multi-modal gas delivery device, primary gas circulation pump, secondary gas circulation pump, insufflation subunit, interface plate, connector, filter seat, insufflation and sensing lumen, gas delivery lumen, gas return lumen, smoke evacuation lumen, recirculation supply lumen**C. DOCUMENTS CONSIDERED TO BE RELEVANT**

Category*	Citation of document, with indication, where appropriate, of the relevant passages	Relevant to claim No.
Y	US 2012-0150101 A1 (STEARNS, R. et al.) 14 June 2012 abstract; paragraphs [0026]-[0035], [0041]-[0055]; figures 1A-5(T)	1-47
Y	US 2018-0256204 A1 (CONMED CORPORATION) 13 September 2018 abstract; paragraphs [0066]-[0071]; figures 1-38	1-47
A	WO 2017-004490 A1 (NORTHGATE TECHNOLOGIES INC.) 05 January 2017 the whole document	1-47
A	US 2015-0112246 A1 (PALMERTON, C. A. et al.) 23 April 2015 the whole document	1-47
A	JP 5830625 B2 (OLYMPUS CORPORATION) 09 December 2015 the whole document	1-47

 Further documents are listed in the continuation of Box C. See patent family annex.

* Special categories of cited documents:

"A" document defining the general state of the art which is not considered to be of particular relevance

"D" document cited by the applicant in the international application

"E" earlier application or patent but published on or after the international filing date

"L" document which may throw doubts on priority claim(s) or which is cited to establish the publication date of another citation or other special reason (as specified)

"O" document referring to an oral disclosure, use, exhibition or other means

"P" document published prior to the international filing date but later than the priority date claimed

"T" later document published after the international filing date or priority date and not in conflict with the application but cited to understand the principle or theory underlying the invention

"X" document of particular relevance; the claimed invention cannot be considered novel or cannot be considered to involve an inventive step when the document is taken alone

"Y" document of particular relevance; the claimed invention cannot be considered to involve an inventive step when the document is combined with one or more other such documents, such combination being obvious to a person skilled in the art

"&" document member of the same patent family

Date of the actual completion of the international search

10 January 2020 (10.01.2020)

Date of mailing of the international search report

10 January 2020 (10.01.2020)

Name and mailing address of the ISA/KR

International Application Division

Korean Intellectual Property Office

189 Cheongsa-ro, Seo-gu, Daejeon, 35208, Republic of Korea

Facsimile No. +82-42-481-8578

Authorized officer

HAN, Inho

Telephone No. +82-42-481-3362



INTERNATIONAL SEARCH REPORT

Information on patent family members

International application No.

PCT/US2019/051914

Patent document cited in search report	Publication date	Patent family member(s)	Publication date		
US 2012-0150101 A1	14/06/2012	EP 2618887 A2	31/07/2013		
		EP 2618887 A4	08/10/2014		
		EP 2618887 B1	28/08/2019		
		EP 2618909 A2	31/07/2013		
		EP 2618909 A4	18/06/2014		
		JP 2013-541972 A	21/11/2013		
		JP 6019025 B2	02/11/2016		
		US 2013-0231606 A1	05/09/2013		
		US 2015-0202389 A1	23/07/2015		
		US 2015-0202390 A1	23/07/2015		
		US 2015-0202391 A1	23/07/2015		
		US 2018-0236186 A1	23/08/2018		
		US 9067030 B2	30/06/2015		
		US 9199047 B2	01/12/2015		
		US 9375539 B2	28/06/2016		
		US 9526849 B2	27/12/2016		
		US 9950127 B2	24/04/2018		
		WO 2012-040221 A2	29/03/2012		
		WO 2012-040221 A3	07/06/2012		
		WO 2012-044410 A2	05/04/2012		
		WO 2012-044410 A3	28/06/2012		
		US 2018-0256204 A1	13/09/2018	AU 2018-230829 A1	13/09/2018
				AU 2018-230830 A1	13/09/2018
AU 2018-230831 A1	13/09/2018				
AU 2018-230832 A1	13/09/2018				
CA 3052980 A1	13/09/2018				
CA 3052983 A1	13/09/2018				
CA 3052984 A1	13/09/2018				
CA 3053395 A1	13/09/2018				
CA 3054720 A1	13/09/2018				
KR 10-2019-0117813 A	16/10/2019				
KR 10-2019-0117814 A	16/10/2019				
KR 10-2019-0117815 A	16/10/2019				
KR 10-2019-0118680 A	18/10/2019				
KR 10-2019-0122910 A	30/10/2019				
US 2018-0256205 A1	13/09/2018				
US 2018-0256206 A1	13/09/2018				
US 2018-0256207 A1	13/09/2018				
US 2018-0256830 A1	13/09/2018				
US 2018-0310958 A1	01/11/2018				
WO 2018-164857 A1	13/09/2018				
WO 2018-164858 A1	13/09/2018				
WO 2018-164859 A1	13/09/2018				
WO 2018-164860 A1	13/09/2018				
WO 2018-164861 A1	13/09/2018				
WO 2017-004490 A1	05/01/2017	AU 2016-287740 A1	25/01/2018		
		CA 2990670 A1	05/01/2017		

INTERNATIONAL SEARCH REPORT

Information on patent family members

International application No.

PCT/US2019/051914

Patent document cited in search report	Publication date	Patent family member(s)	Publication date
		CN 108136142 A	08/06/2018
		EP 3316946 A1	09/05/2018
		JP 2018-519921 A	26/07/2018
		MX 2018000174 A	16/08/2018
		US 10493220 B2	03/12/2019
		US 2017-0000959 A1	05/01/2017
US 2015-0112246 A1	23/04/2015	US 10004856 B2	26/06/2018
JP 5830625 B2	09/12/2015	CN 105431093 A	23/03/2016
		CN 105431093 B	29/03/2019
		EP 3009077 A1	20/04/2016
		US 2016-0106934 A1	21/04/2016
		WO 2015-019695 A1	12/02/2015