

(19) World Intellectual Property Organization
International Bureau



(43) International Publication Date
23 July 2009 (23.07.2009)

PCT

(10) International Publication Number
WO 2009/090549 A8

- (51) International Patent Classification:
C12M 1/00 (2006.01) A01G 33/00 (2006.01)
- (21) International Application Number:
PCT/IB2009/000076
- (22) International Filing Date:
19 January 2009 (19.01.2009)
- (25) Filing Language: English
- (26) Publication Language: English
- (30) Priority Data:
10 2008 004 932.8
18 January 2008 (18.01.2008) DE
10 2008 004 933.6
18 January 2008 (18.01.2008) DE
PCT/IB2008/001770 4 July 2008 (04.07.2008) IB
- (71) Applicant (for all designated States except US): AVE-
STON GRIFFORD LTD.; Craignuir Chambers, PO
Box 71, Road Town, Tortola (VG).
- (72) Inventors; and
(75) Inventors/Applicants (for US only): MEISER, Andreas
[DE/DE]; Obere Paulus Strasse 58, 70197 Stuttgart (DE).
VERHEIN, Miguel [DK/VE]; c/o DMH Stallard, 6 New
Street Square, London EC4A 3BF (GB).
- (74) Agent: AWAPATENT AB; Box 45086, S-104 30 Stock-
holm (SE).
- (81) Designated States (unless otherwise indicated, for every
kind of national protection available): AE, AG, AL, AM,
AO, AT, AU, AZ, BA, BB, BG, BH, BR, BW, BY, BZ,
CA, CH, CN, CO, CR, CU, CZ, DE, DK, DM, DO, DZ,
EC, EE, EG, ES, FI, GB, GD, GE, GH, GM, GT, HN,
HR, HU, ID, IL, IN, IS, JP, KE, KG, KM, KN, KP, KR,
KZ, LA, LC, LK, LR, LS, LT, LU, LY, MA, MD, ME,
MG, MK, MN, MW, MX, MY, MZ, NA, NG, NI, NO,
NZ, OM, PG, PH, PL, PT, RO, RS, RU, SC, SD, SE, SG,
SK, SL, SM, ST, SV, SY, TJ, TM, TN, TR, TT, TZ, UA,
UG, US, UZ, VC, VN, ZA, ZM, ZW.

[Continued on next page]

(54) Title: PHOTOBIOREACTOR

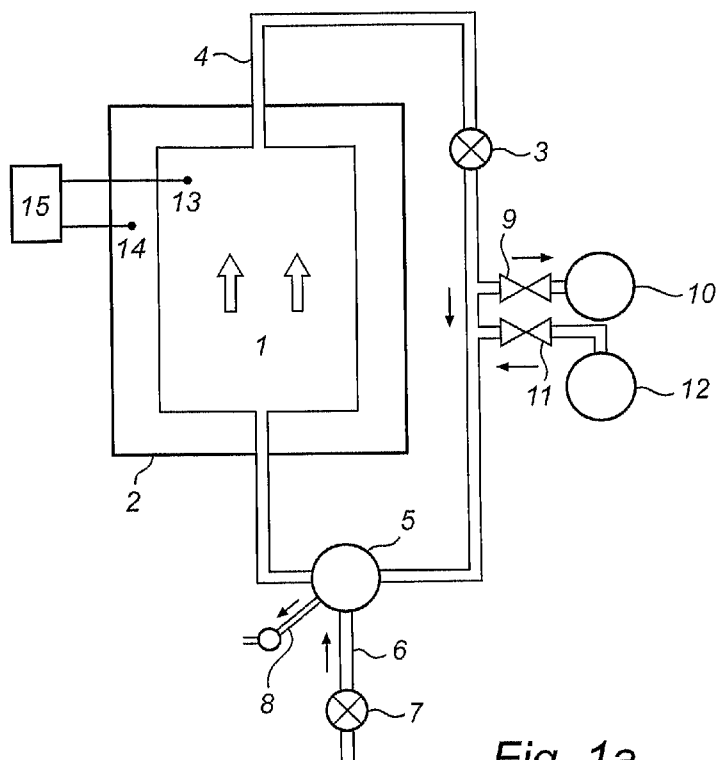


Fig. 1a

(57) Abstract: A method of operating a closed photobioreactor for cultivation of phototrophic microorganisms. The photobioreactor comprises a culture liquid and is partially or completely surrounded by water of a water body. A density difference between the culture liquid and the surrounding water is provided so that the position of the photobioreactor in the water body is controlled. A closed photobioreactor for cultivation of phototrophic microorganisms. The photobioreactor is adapted to comprise a culture liquid and to be partially or completely surrounded by water of a water body. The photobioreactor comprises means for determining the density difference between the culture liquid and the surrounding water.

WO 2009/090549 A8

(84) Designated States (*unless otherwise indicated, for every kind of regional protection available*): ARIPO (BW, GH, GM, KE, LS, MW, MZ, NA, SD, SL, SZ, TZ, UG, ZM, ZW), Eurasian (AM, AZ, BY, KG, KZ, MD, RU, TJ, TM), European (AT, BE, BG, CH, CY, CZ, DE, DK, EE, ES, FI, FR, GB, GR, HR, HU, IE, IS, IT, LT, LU, LV, MC, MK, MT, NL, NO, PL, PT, RO, SE, SI, SK, TR), OAPI (BF, BJ, CF, CG, CI, CM, GA, GN, GQ, GW, ML, MR, NE, SN, TD, TG).

Published:

— *with international search report (Art. 21(3))*

(88) Date of publication of the international search report:
11 September 2009

(48) Date of publication of this corrected version:
5 August 2010

(15) Information about Correction:
see Notice of 5 August 2010